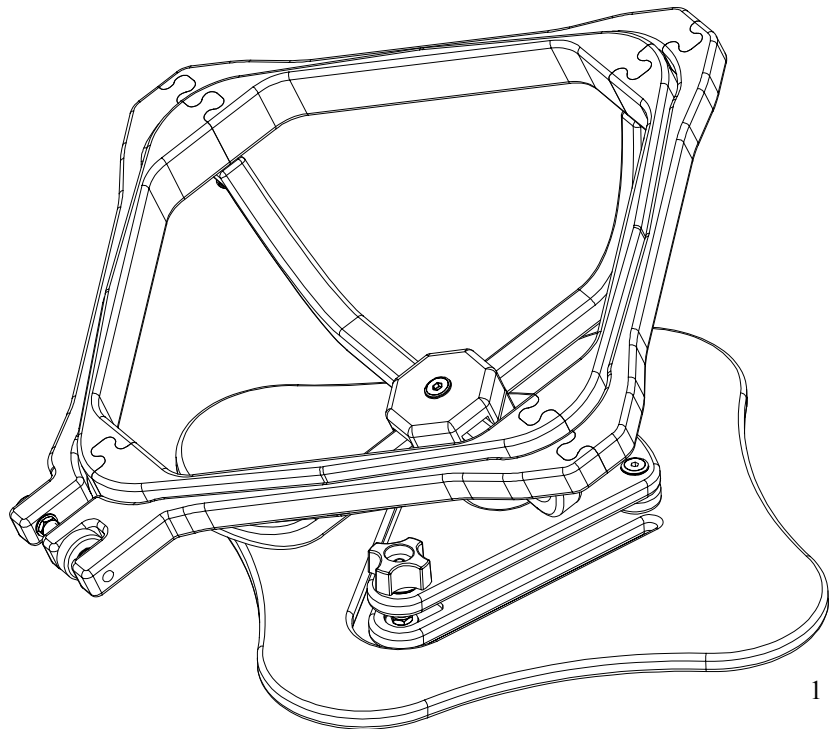


The Grace Wood Swivel LapHoop

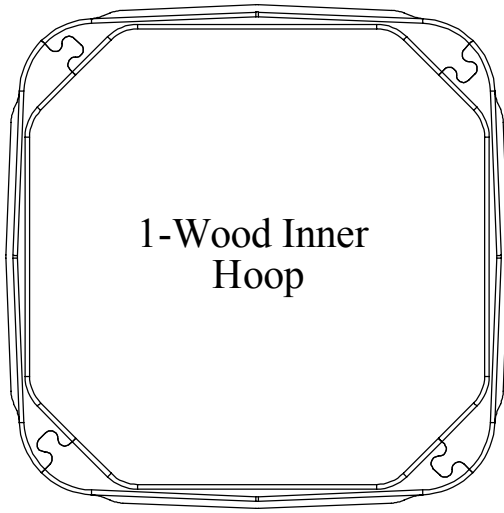
Table of Contents

Parts List	2
Assembly Steps	
Step 1: Hardware to Base Plate Assembly.	3
Step 2: Clamping Plate Assembly	4
Step 3: Hoop Bracket Assembly.	5
Step 4: Inner Hoop Assembly.	6
Step 5: Outer Hoop Assembly.	6
Use of Your LapHoop.	7
Available Accessories.	8

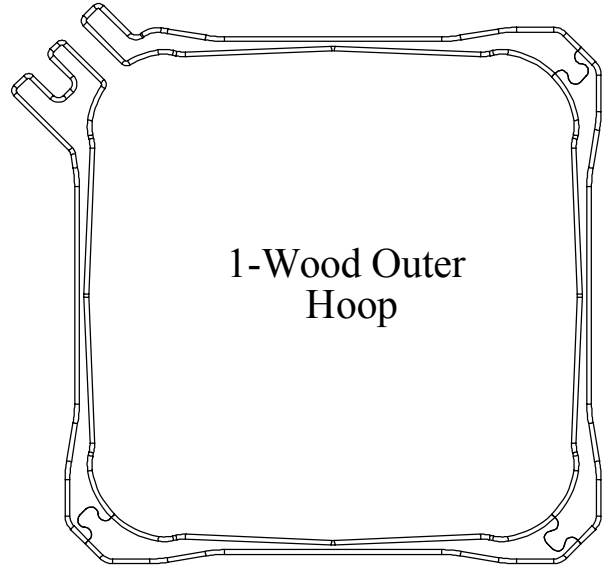


Copyright June 2003
GraceWood, Inc.
Reproduction Prohibited
Patent Pending

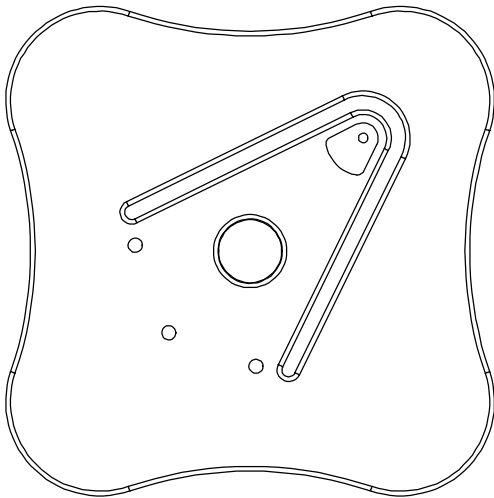
Wood Lap Hoop Parts List



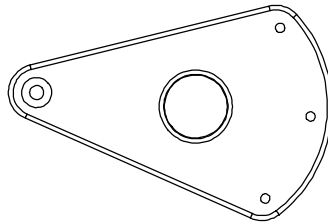
1-Wood Inner Hoop



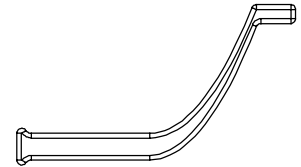
1-Wood Outer Hoop



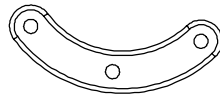
1-Base Plate



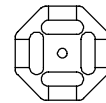
1-Clamping Plate



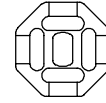
4-Wood Bracket



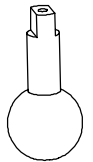
1-Spacer



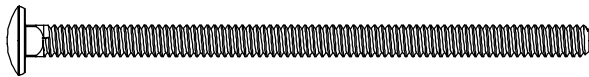
1-Top Bracket Clamp



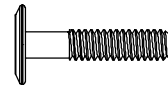
1-Bottom Bracket Clamp



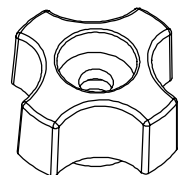
1-Wood Ball



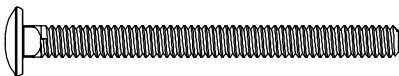
1-1/4" X 4 1/2"
Carriage Bolt



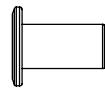
3-1/4" X 30mm
Connector Bolt



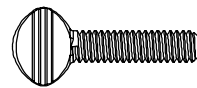
1-1/4" Plastic Knob



1-1/4" X 3"
Carriage Bolt



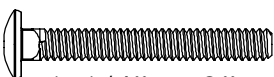
4-1/4" Cap Nut



4-1/4" X 1"
Thumb Screw



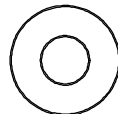
2-Allen Wrench



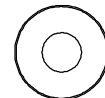
1-1/4" X 2"
Carriage Bolt



2-1/4"
Jamb Nut



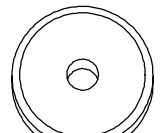
1-5/16" Flat Washer



1-1/4" Flat Washer



7-3/16" Flat Washer



1-Knurled Finger Nut

Care for your LapHoop

The GraceHoop²™ may be sealed and/or stained with an application of tung oil which will help preserve the wood and will help to prevent warping. Test stain on an inconspicuous place. Many different finishes and/or stains may be suitable for sealing and beautifying your hoop. You may want to consult your local paint retailer for finishes which will apply easily and dry hard—not oily.

Lifetime Limited Warranty Information

GraceWood, Inc. will replace or repair, at our discretion, any part of the GraceHoop²™ with problems due to manufacturing or workmanship. This warranty does not cover parts damaged through misuse, improper storage, improper assembly, loss, natural events, and willful or accidental destruction. Parts must be returned to the Grace Company, shipping prepaid, before we can replace them. We will promptly return the repaired or replaced part at our expense if done within a year of the purchase date. After one year customers are responsible for the cost of return shipping. Customers will never have to pay the cost of a part covered by the lifetime warranty.

Address For Shipping of Materials to Grace Co:

242 W. 2950 S.
Salt Lake City, UT 84104

For Regular Correspondence:

P.O. Box 27823
Salt Lake City, UT 84127

Tools Needed:

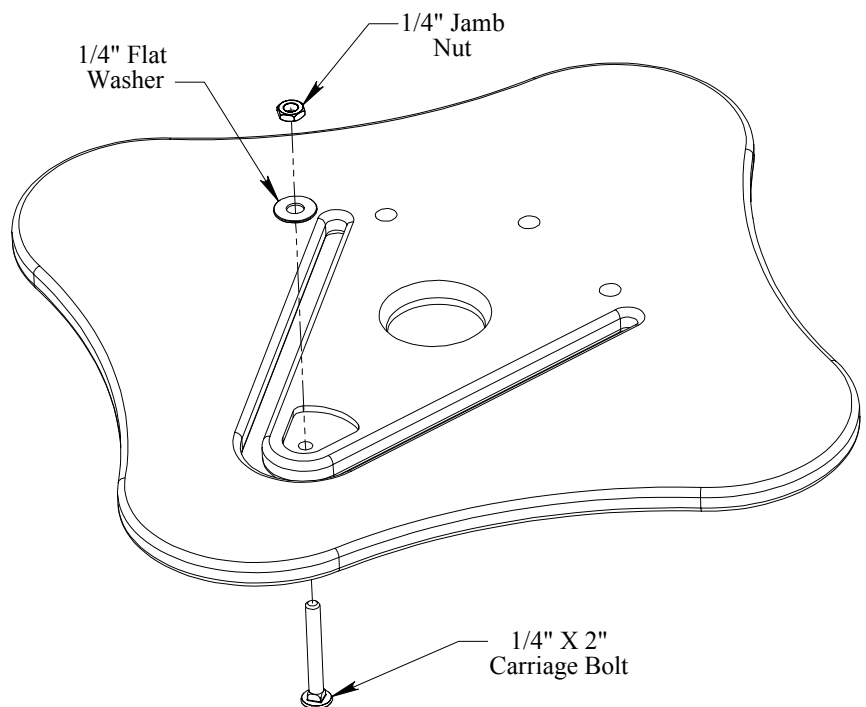
7/16 Socket Wrench, or Adjustable Wrench
2 Allen Wrench (provided)

Using the preceding parts list as a reference, take the parts out of the box and make sure your package is complete. (If there is something missing or damaged, **do not call the store or dealer from whom you purchased the product**. Please contact The Grace Company directly at 1-800-264-0644. Office Hours: M-F 8 am – 5 pm).

Step 1: Hardware to Base Plate Assembly

Parts Needed: 1 – Base Plate
1 – 1/4" x 2" Carriage Bolt
1 – 1/4" Jamb Nut
1 – 1/4" Flat washer

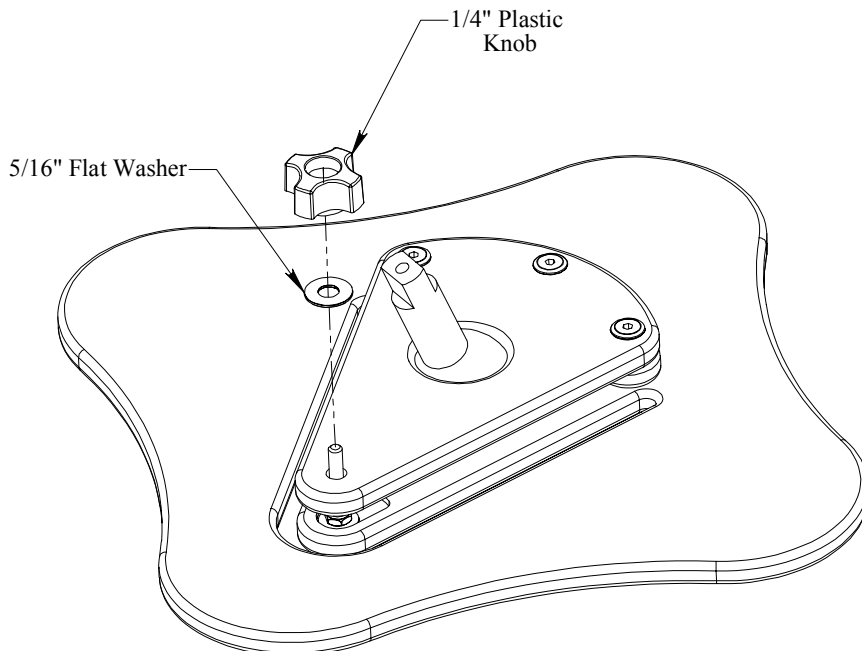
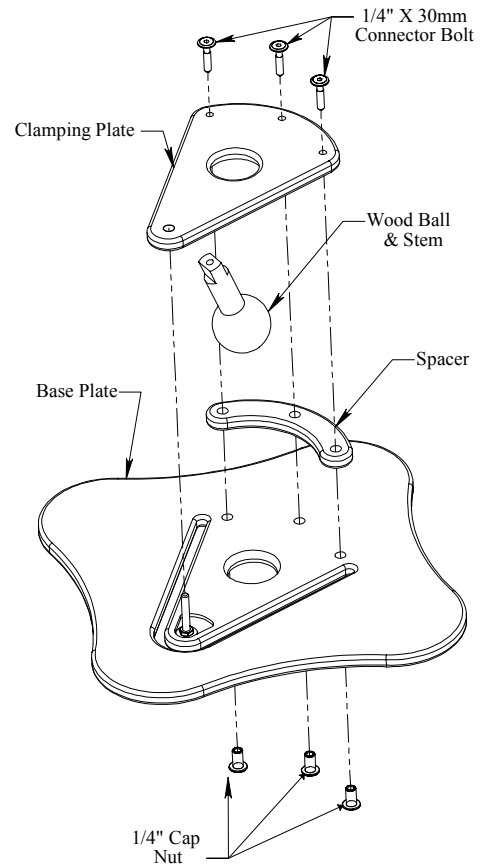
- Insert the 1/4" x 2" carriage bolt through the cut-away hole in the Base Plate, as shown. (Countersink hole in base plate should be facing up).
- Place a 1/4" flat washer onto the bolt.
- Thread a 1/4" jamb nut onto the bolt and completely tighten. (Note: Tighten enough to pull the small square portion of the bolt head into the wood, leaving only the rounded portion of the head).



Step 2: Clamping Plate Assembly

Parts Needed: 1 – Clamping Plate
1 – Wood Ball
1 – Spacer
3 – 1/4" x 30mm Connector Bolt
3 – 1/4" Cap Nut
1 – 5/16" Flat Washer
1 – 1/4" Plastic Knob
2 – Allen Wrench (provided)

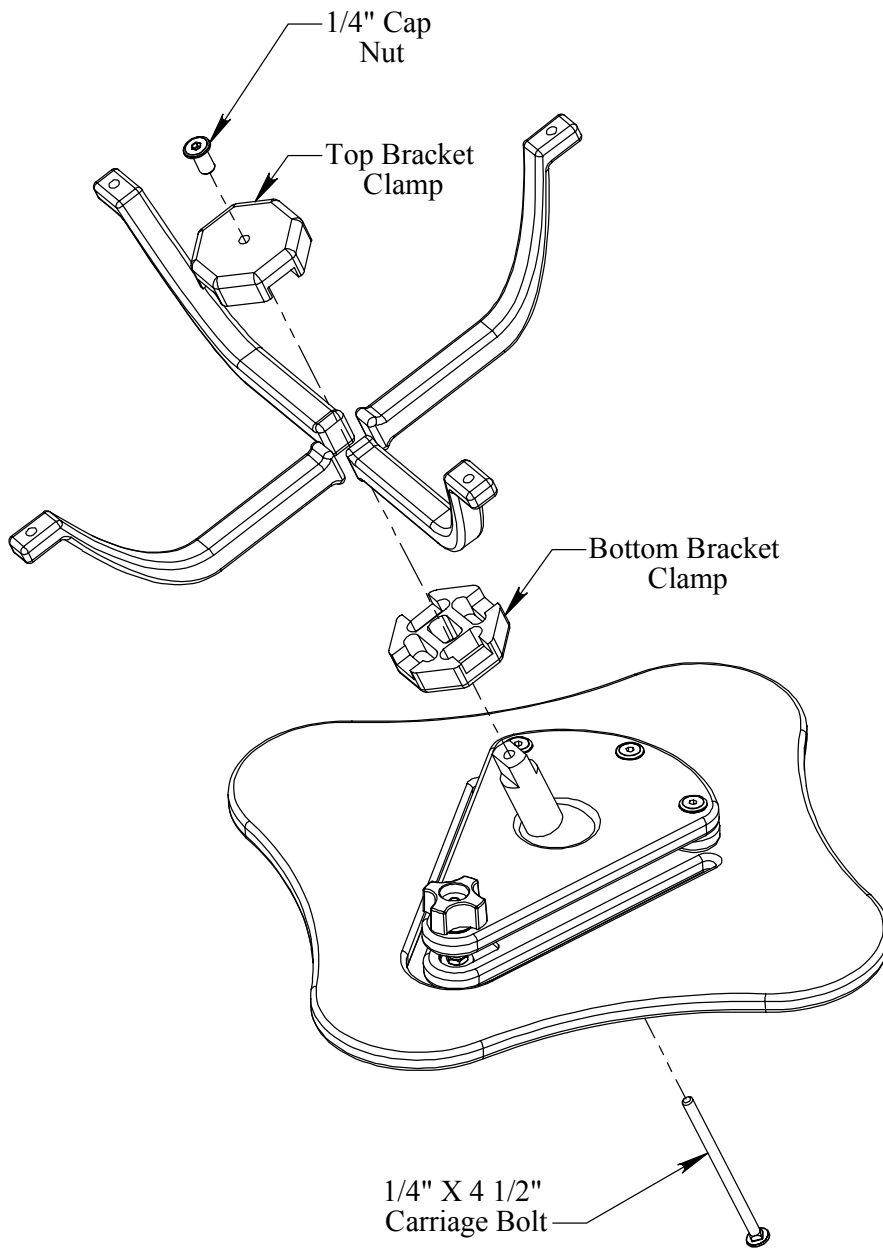
- First, put the Wood Ball in place, letting it rest in the round opening in the center of the Base Plate, with the Stem facing up.
- Next place the Spacer over the three holes near the round opening
- Place three cap nuts under and through the three holes of the Base Plate and into the spacer.
- Next position the Clamping Plate over the Space, Wood Ball and 1/4" carriage, as pictured. (Clamping Plate's countersink hole for carriage bolt should be face-down).
- Place three 1/4" x 30mm connector bolts through the remaining holes of Clamping Plate.



- Finger tighten the connector bolts into the each cap nut until mostly tighten.
- Finish tightening by turning the Base Plate on its side and using an allen wrench in both the bolt and the cap nut.
- Complete this assembly by placing a 5/16" flat washer onto the 1/4" x 2" carriage bolt, followed by the Plastic Knob.

Step 3: Hoop Bracket Assembly

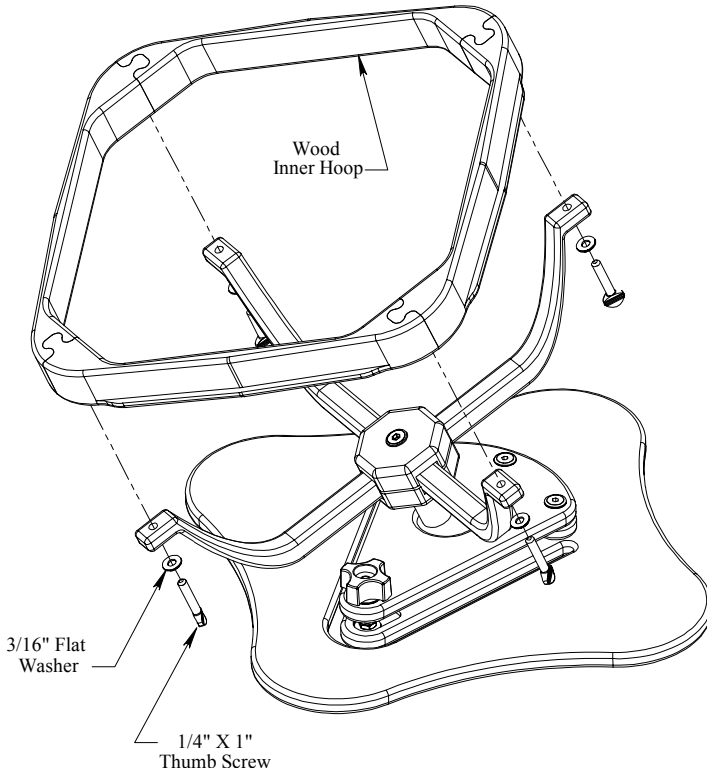
Parts Needed: 4 – Wood Bracket
1 – Top Bracket Clamp
1 – Bottom Bracket Clamp
1 – 1/4" x 4 1/2" Carriage Bolt
1 – 1/4" Cap Nut



- Insert the 1/4" x 4 1/2" carriage bolt into the bottom of the Wood Ball up and through the stem.
- Place the Bottom Bracket Clamp onto the end of the carriage bolt, fitting it onto the stem of the Wood Ball.
- Fit the four Wood Brackets into the Bottom Bracket Clamp.
- Holding the four brackets in place, put the Top Bracket Clamp on top of the four brackets and hold this piece firmly against the Bottom Bracket Clamp.
- Continue to hold the Bracket Clamps together with one hand while inserting and finger tightening the 1/4" cap nut into the Top Bracket Clamp.
- Be sure the head of the carriage bolt (underneath the Base Plate) sits flush against the ball.

Step 4: Inner Hoop Assembly

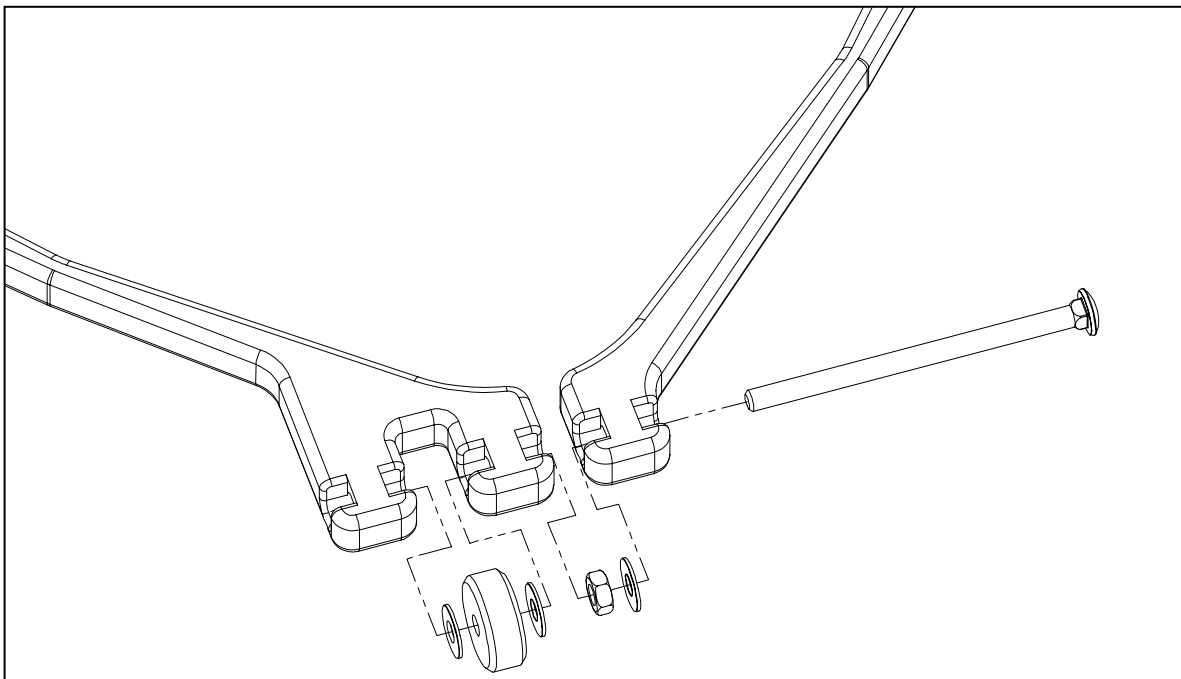
Parts Needed: 1 – Wood Inner Hoop
4 – 3/16" Flat washers
4 – 1/4" x 1" Thumb Screws



- Position the Inner Hoop over the four Wood Brackets so that the holes in each corner of the Hoop line up with each bracket.
- Place a 3/16" flat washer onto a thumb screw.
- Insert the thumb screw with washer up through the hole of Bracket and into the metal insert in the corner of the Hoop.
- Repeat this process for the remaining three thumb screws and washers until the Inner Hoop is completely in place.

Step 5: Outer Hoop Assembly

Parts Needed: 1 – Wood Outer Hoop
1 – 1/4" x 3" Carriage Bolt
1 – Knurled Finger Nut
1 – 1/4" Jamb Nut
3 – 3/16" Flat Washer



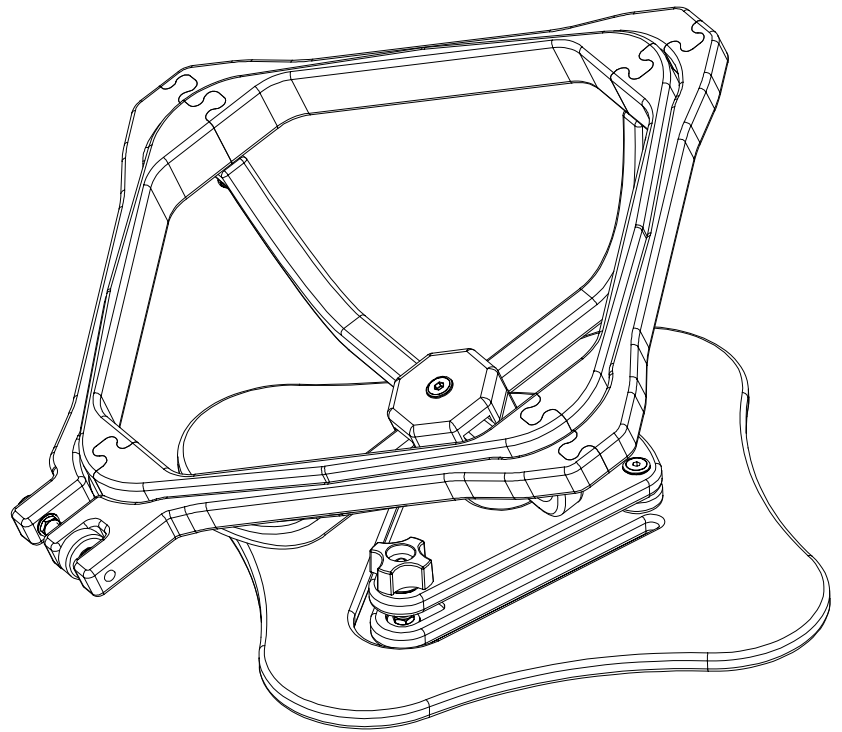
- This assembly will make tension control of the Outer Hoop possible.
- First, position the Outer Hoop exactly as pictured.
- Insert the 1/4" x 3" carriage bolt into the hole at the right side of the corner, so that it barely protrudes into first opening.
- Next, in the first opening, thread a 3/16" small flat washer and 1/4" hex nut onto the bolt. Continue threading until bolt protrudes into the second opening.
- In the second opening, thread another 3/16" flat washer and 1/4" large finger nut onto the bolt, followed by a third 3/16 flat washer. This will be a very snug fit.
- Now loosen the tension of the Outer Hoop by turning the finger nut. Fit it over the Inner Hoop, resting it on the lip of the Inner Hoop.

Use of Your LapHoop

Your LapHoop is capable of 360-degree rotation and a variety of tilt positions to give you a comfortable quilting position.

To rotate or change the angle of your LapHoop, simply loosen the Plastic Knob on the narrow end of the Clamping Plate.

Once the desired position is achieved, lock your hoop into place by firmly tightening the Plastic Knob until the hoop holds its position.



Installing Fabric

Remove the Outer Hoop and drape your basted quilt over the Inside Hoop. Position the quilt so the desired work area is centered in the hoop. Place the Outer Hoop over the Inner Hoop, one corner at-a-time, until it rests completely on the lip on the Inside Hoop.

Applying the Outer Hoop will evenly pull the fabric top-to-bottom, and side-to-side. If greater tension is desired, simply tug on the fabric outside of the hoop. Once the desired tension is achieved, tighten the Outer Hoop using the large finger nut.

After completing your work area, simply loosen the Outer Hoop, remove it and reposition your quilt. The square boundaries will make determining your next work area easy.

Available Accessory: The EdgeTool™

The EdgeTool™ will assist you in finishing your quilts along the edges. When you come to the edge of your quilt, lay out the quilt on a flat surface and pin the EdgeTool™ cloth sleeve to all three layers at the quilt's edge. Pin as straight as possible.

Holding the EdgeTool™ and quilt, position them onto the Inner Hoop, letting the EdgeTool™ wood bar hang over the Inner Hoop and act as a weight to assist in the positioning of your quilt. Apply the Outer Hoop so that it clamps down over the EdgeTool™ cloth sleeve.

The EdgeTool™ comes as a set of two, enabling it to work in tandem as you complete the corners of your quilt.

