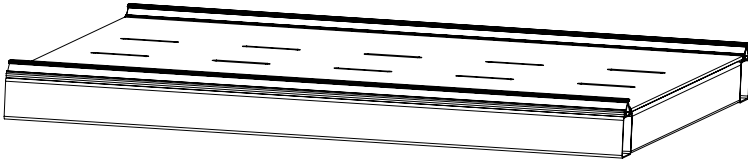


Continuum Frame

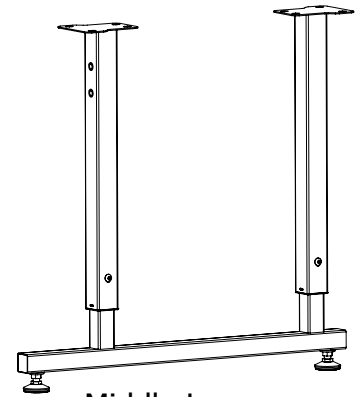
2 Foot Extension Assembly Instructions

Table of Contents	i
Parts List	
Parts List.....	ii
Setup & Assembly	
Step 1: Disassembly.....	1
Step 2: 2 Foot Table Installation.....	4
Step 3: Center Leg and Table Installation.....	5
Step 4: Middle Leg Brace Installation.....	6
Step 5: Track Assembly.....	7
Step 6: Track Assembly Installation.....	9
Step 7: Rail Assembly.....	10
Step 8: Rail Installation.....	11
Step 9: Rail Cap Installation.....	11

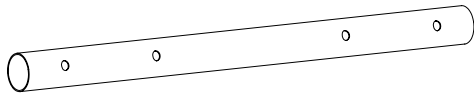
Parts List | 2 Foot Extension



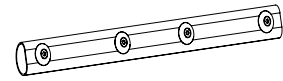
2 Foot Table
(1)



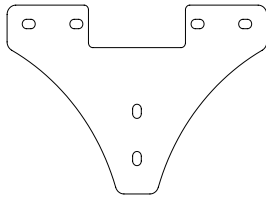
Middle Leg
(1)



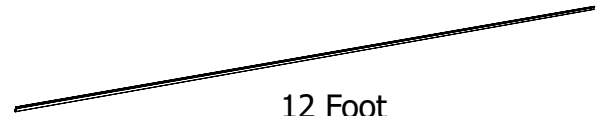
2 Foot Rail
(3)



Rail Coupler
(3)



Center
Leg Brace
(2)



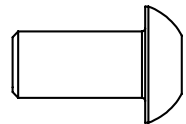
12 Foot
Plastic Track
(4)



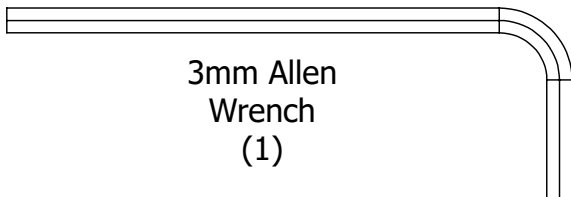
Track Support
Connector
(2)



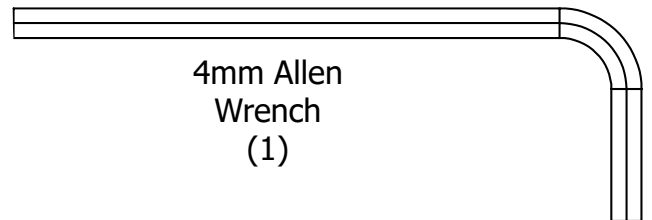
M6 x 6mm
Set Screw
(8)



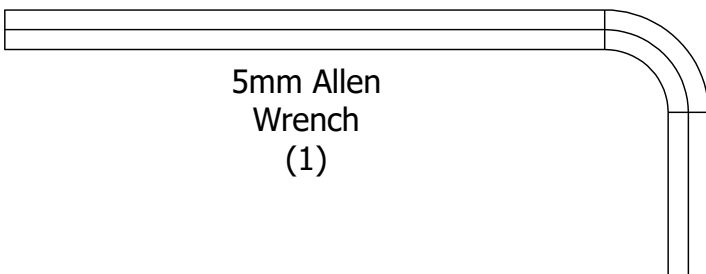
M8x 16mm
SBHCS
(20)



3mm Allen
Wrench
(1)



4mm Allen
Wrench
(1)



5mm Allen
Wrench
(1)

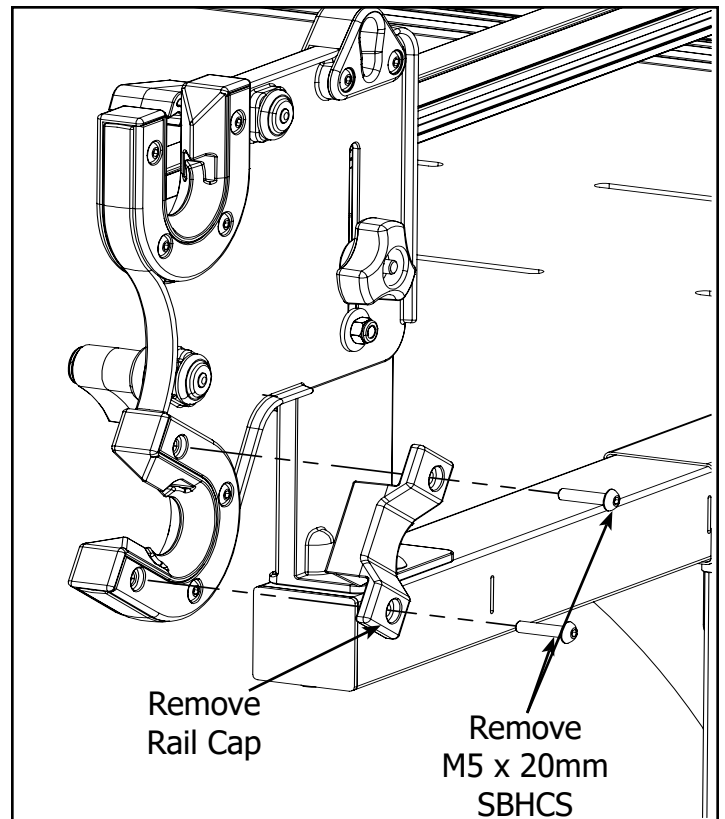
24" Leader
Cloth Set
(1)

Setup and Assembly

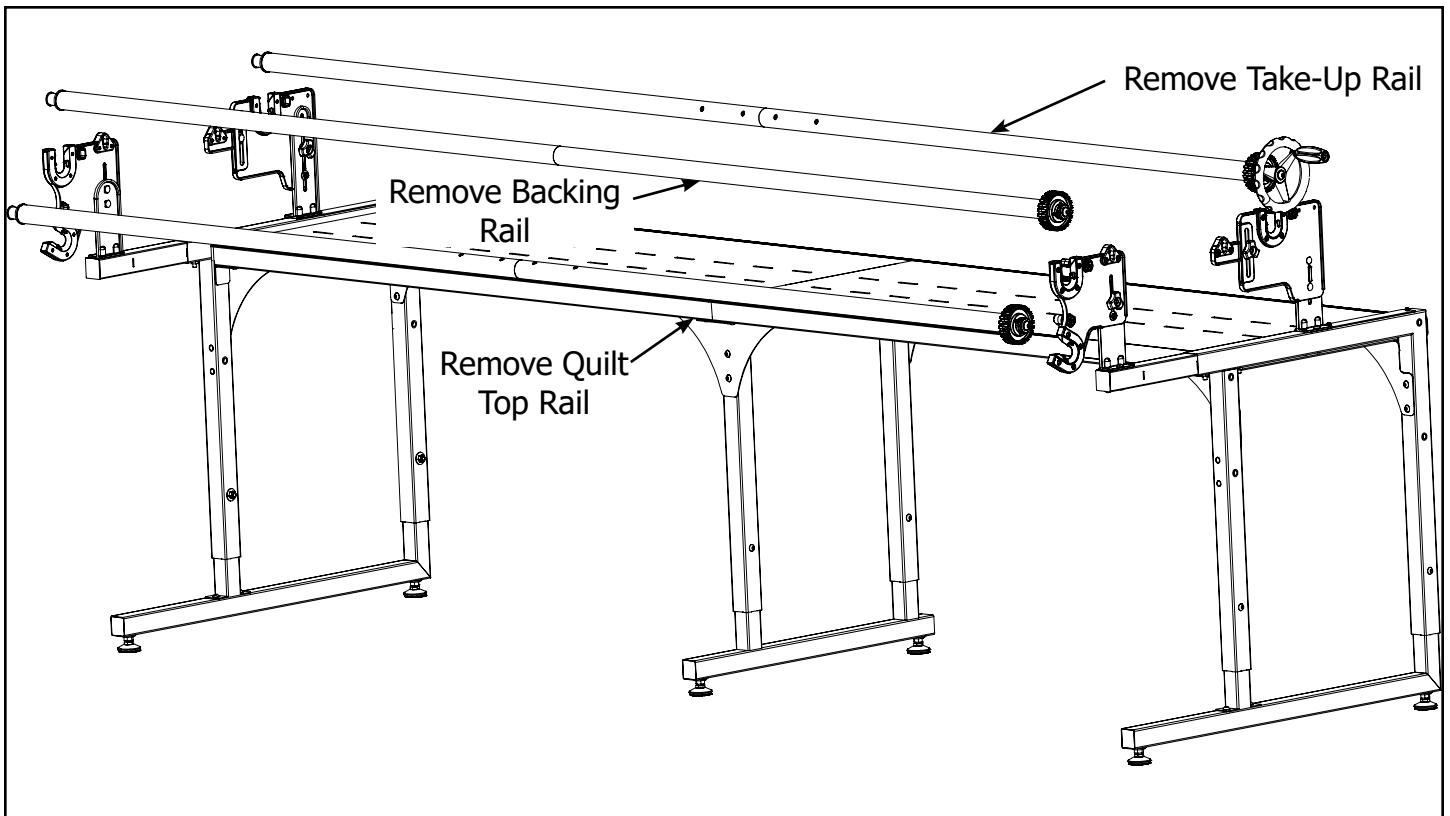
Step 1 - Disassembly

Tools Needed:

- 3mm Allen Wrench
- 4mm Allen Wrench
- 5mm Allen Wrench

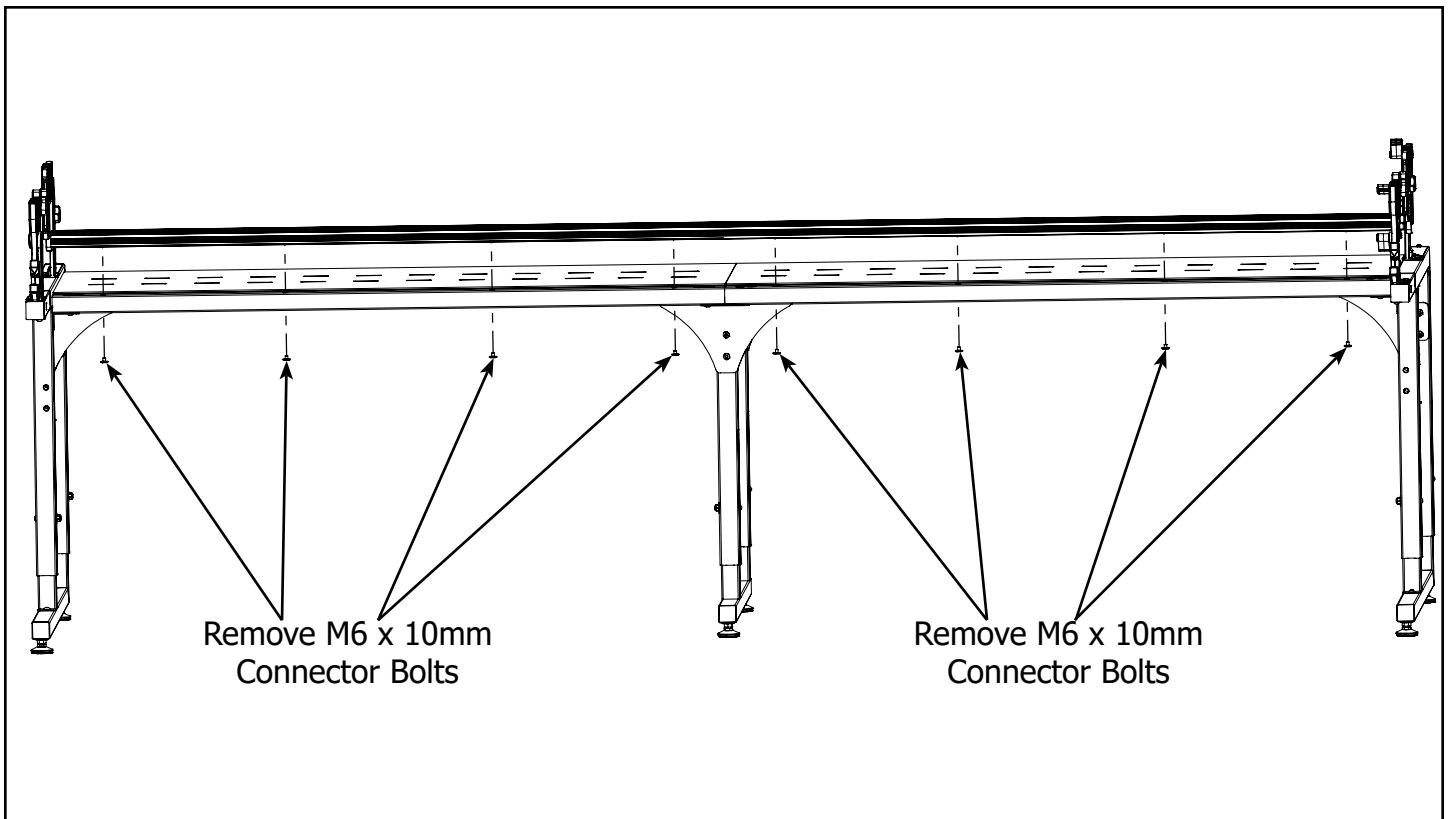


1-1 Remove all Rail Caps and set aside.



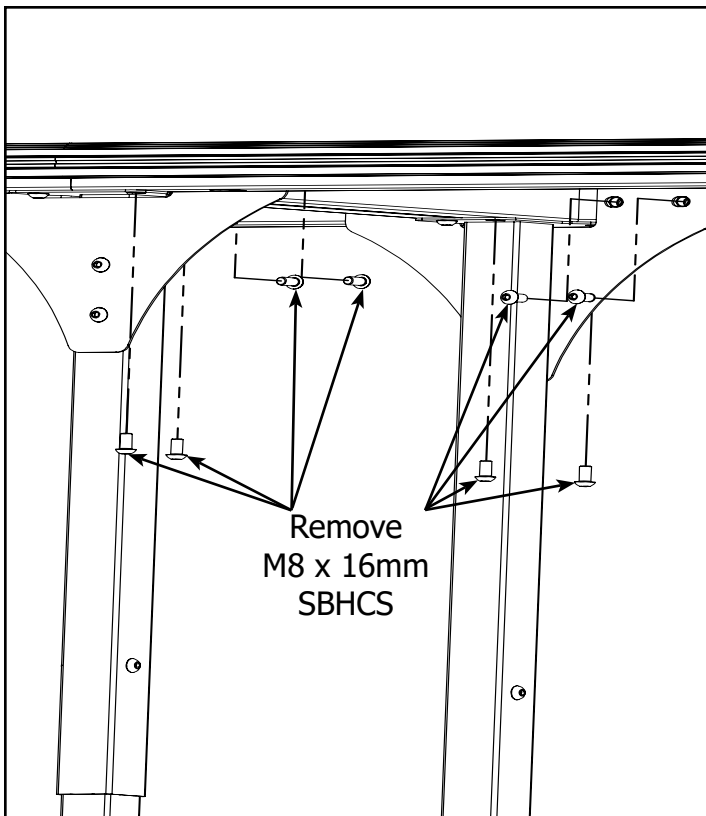
1-2 Remove all Rails and set aside.

Setup and Assembly



1-3 Remove Track and set aside.

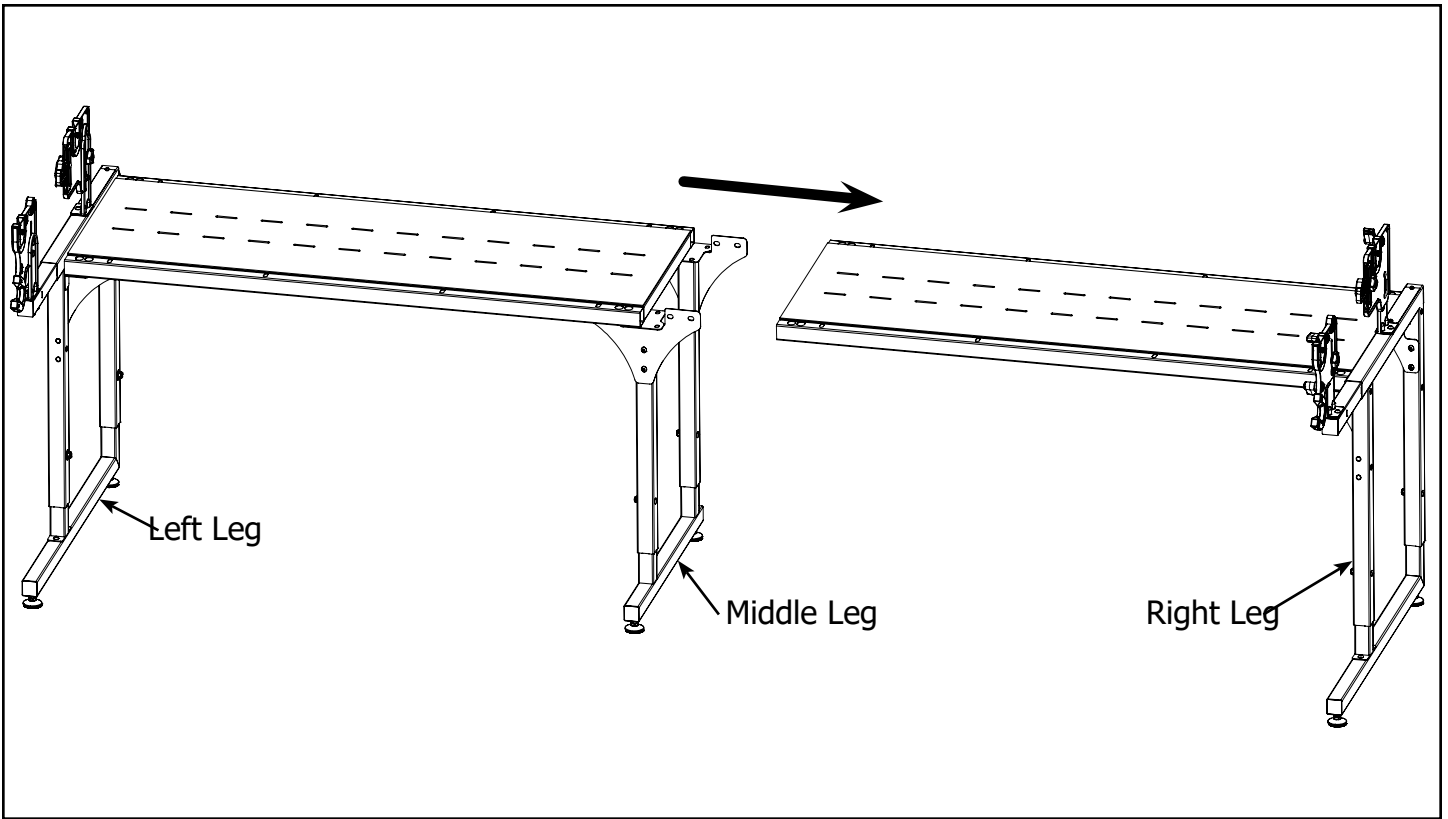
Note: Repeat for the rear track.



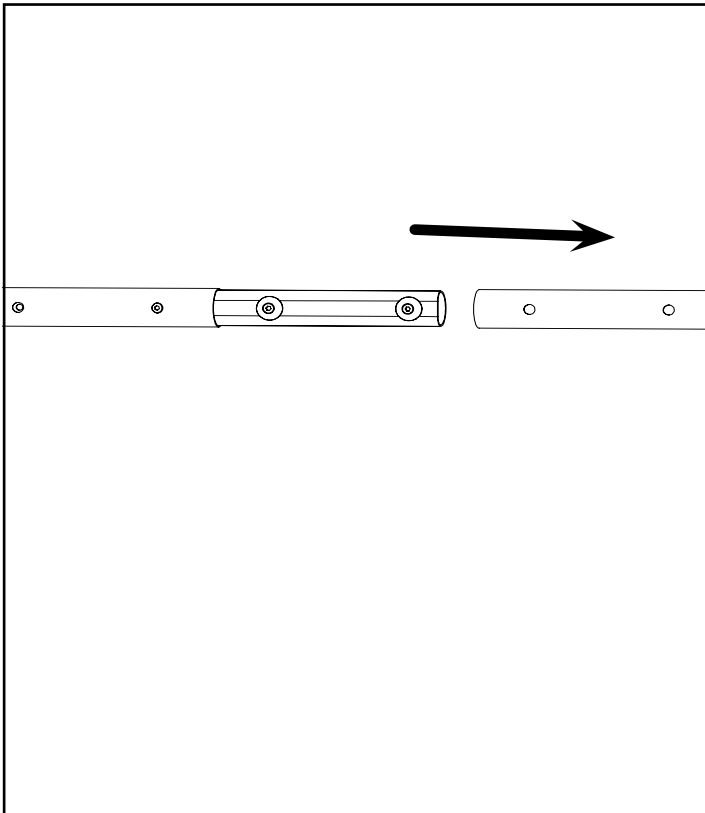
1-4 Remove (8) Center Leg screws and set aside.

Note: Remove (4) screws from the front and the rear so table sections can be separated.

Setup and Assembly



1-6 Separate the Table Sections.

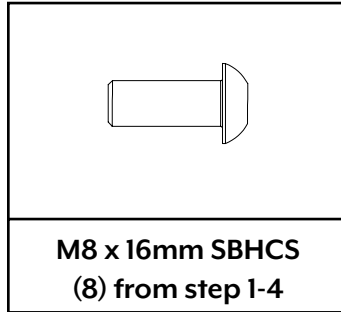
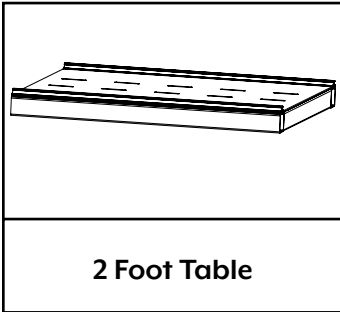


1-7 Remove one side of each rail assembly.

Setup and Assembly

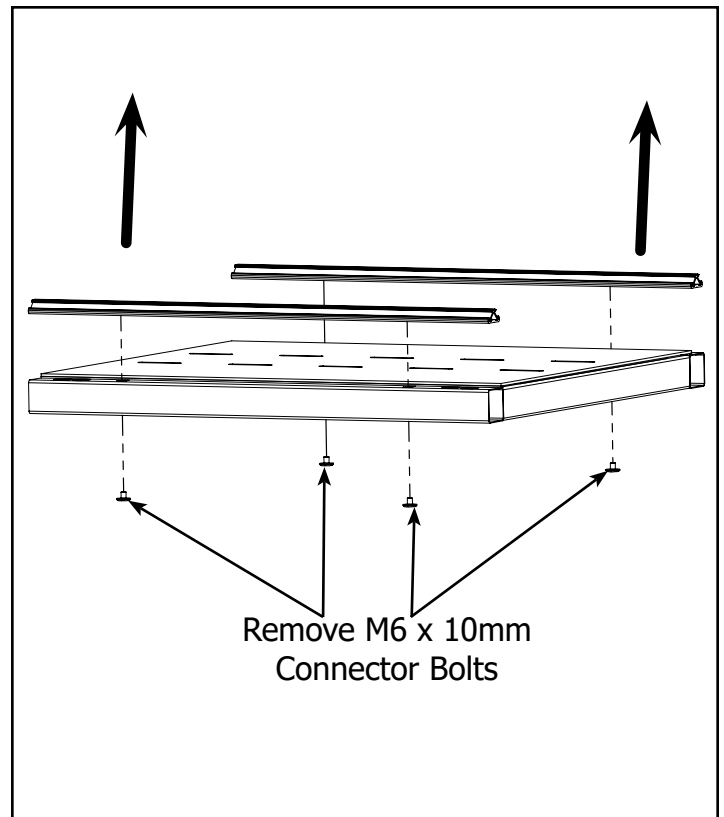
Step 2 - 2 Foot Table Installation

Parts Needed:

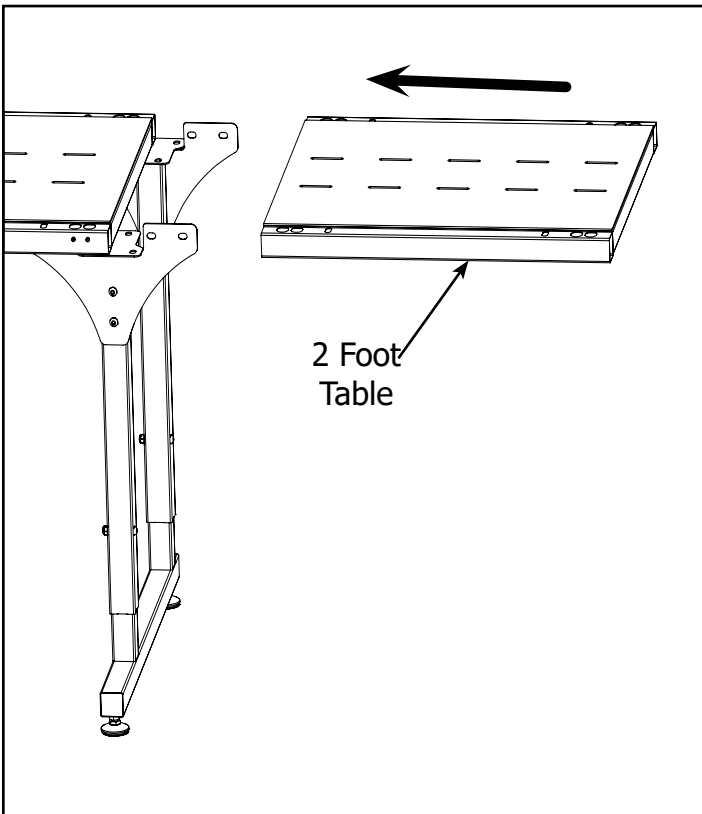


Tools Needed:

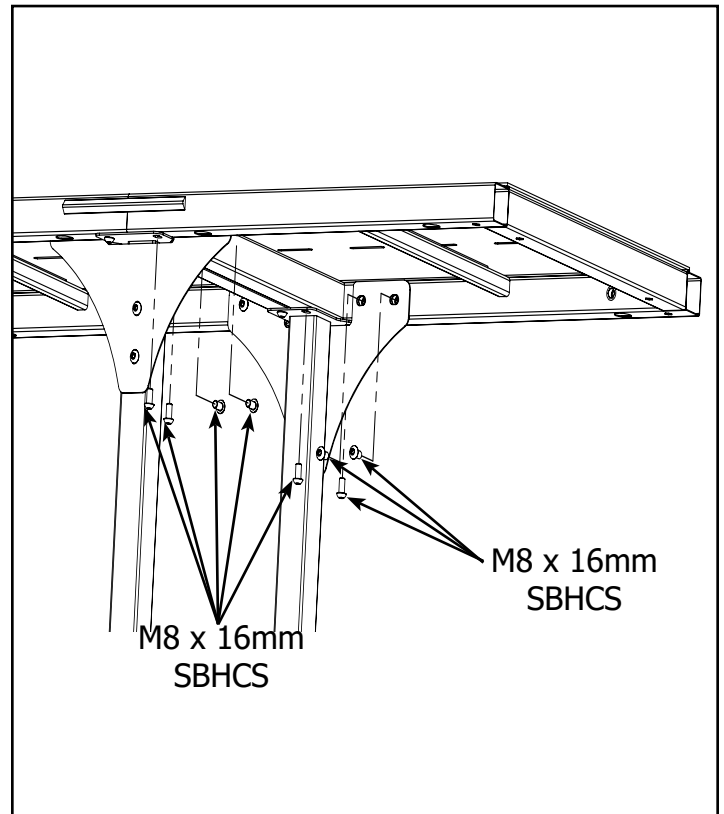
4mm Allen Wrench
5mm Allen Wrench



2-1 Remove Track Supports from 2 Foot Extension Table.



2-2 Position the 2 Foot Table.

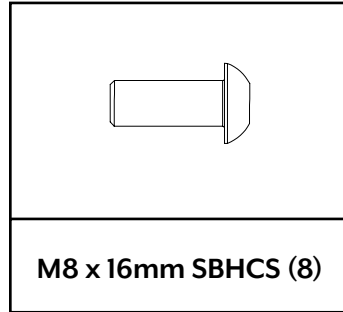
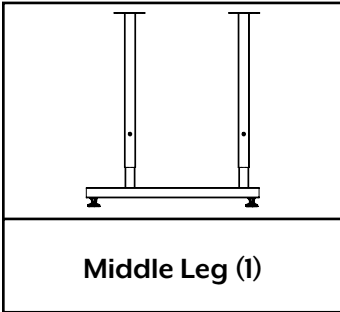


2-3 Secure using the (8) screws from step 1-4.
Note: Leave all screws loose until step 4.

Setup and Assembly

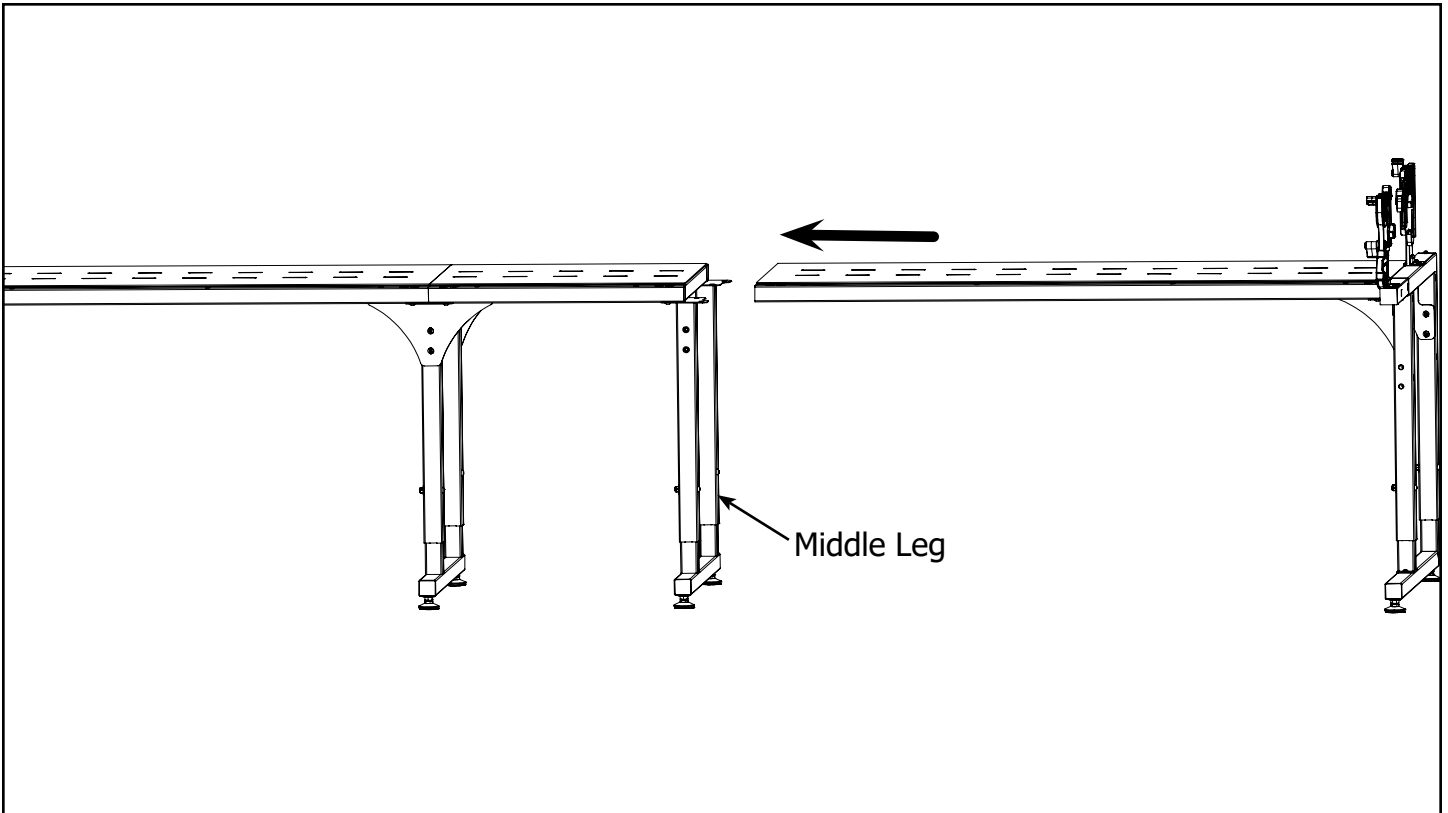
Step 3 - Middle Leg and Table Installation

Parts Needed:



Tools Needed:

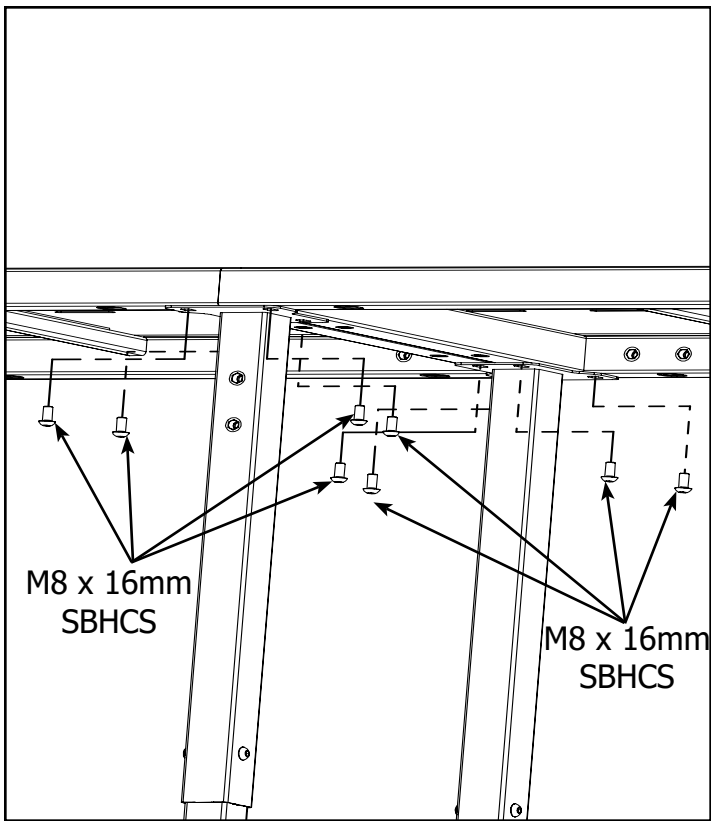
- 4mm Allen Wrench
- 5mm Allen Wrench



3-1 Position the Table and Middle Leg.

Note: Adjust the height of the Middle Leg to match your existing setup.

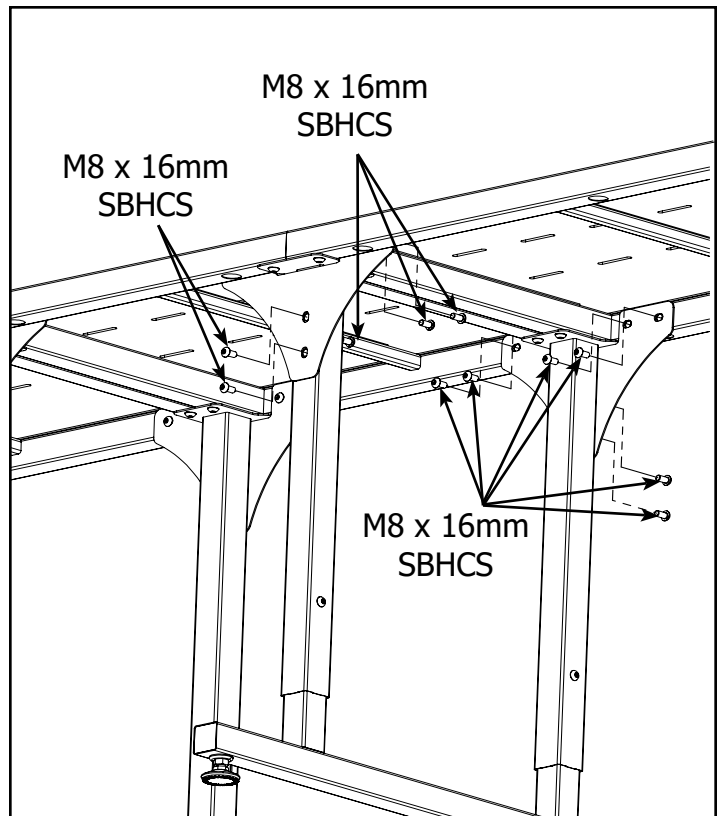
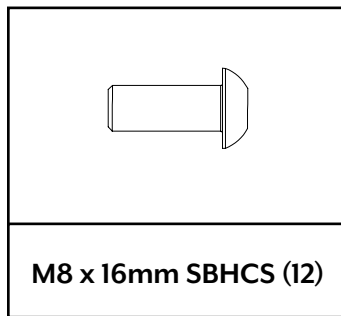
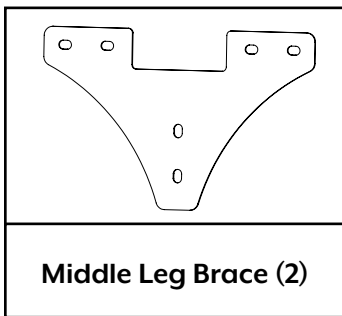
Setup and Assembly



3-2 Secure with (8) M8 x 16mm SBHCS.

Step 4 - Middle Leg Brace Assembly

Parts Needed:



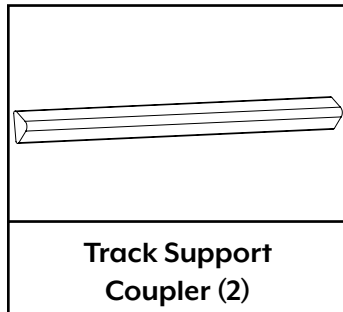
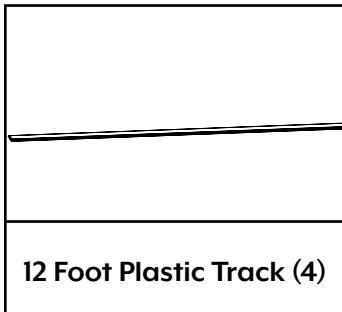
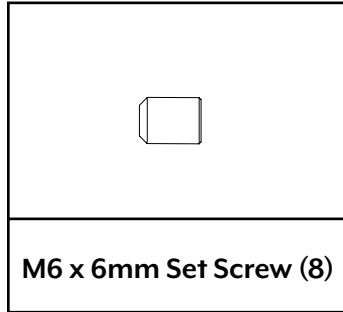
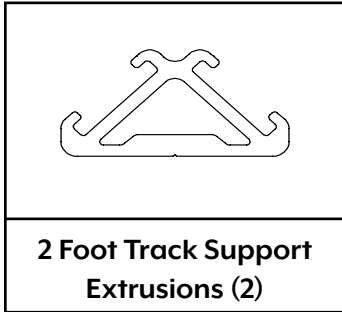
4-1 Position Middle Leg Braces and secure with (12) M8 x 16mm SBHCS.

Note: Tighten all screws at this time.

Setup and Assembly

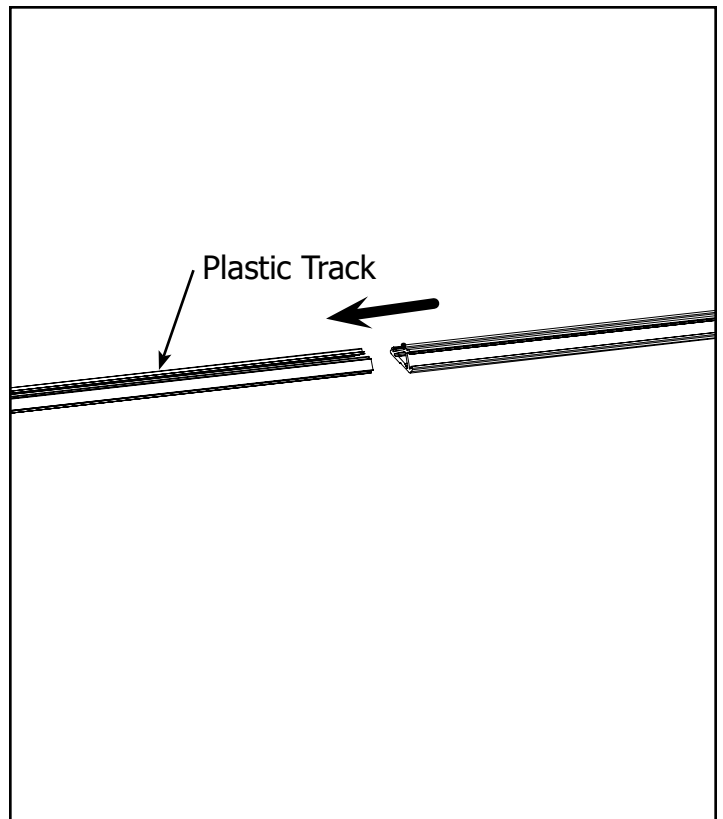
Step 5 - Track Assembly

Parts Needed:

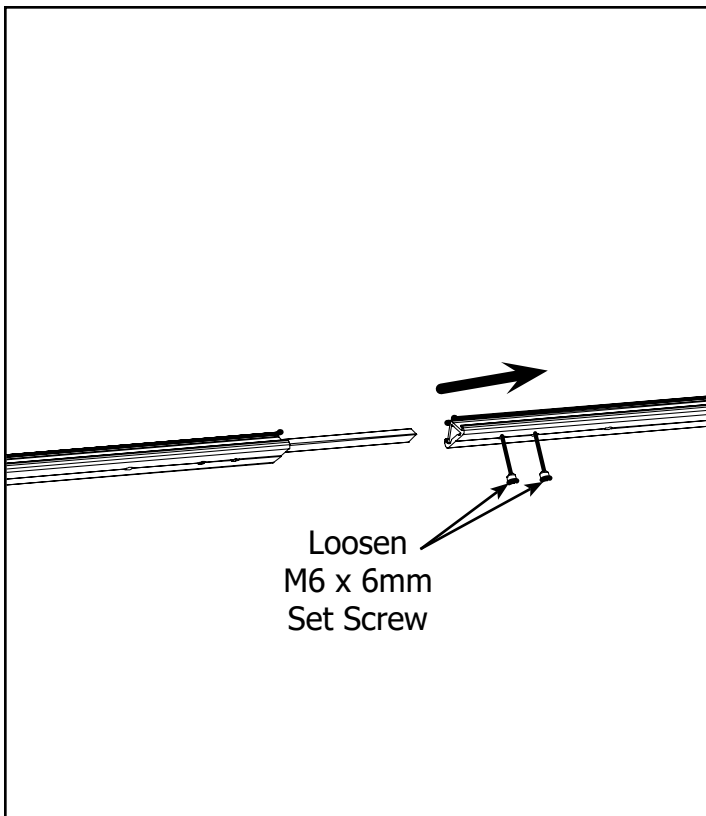


Tools Needed:

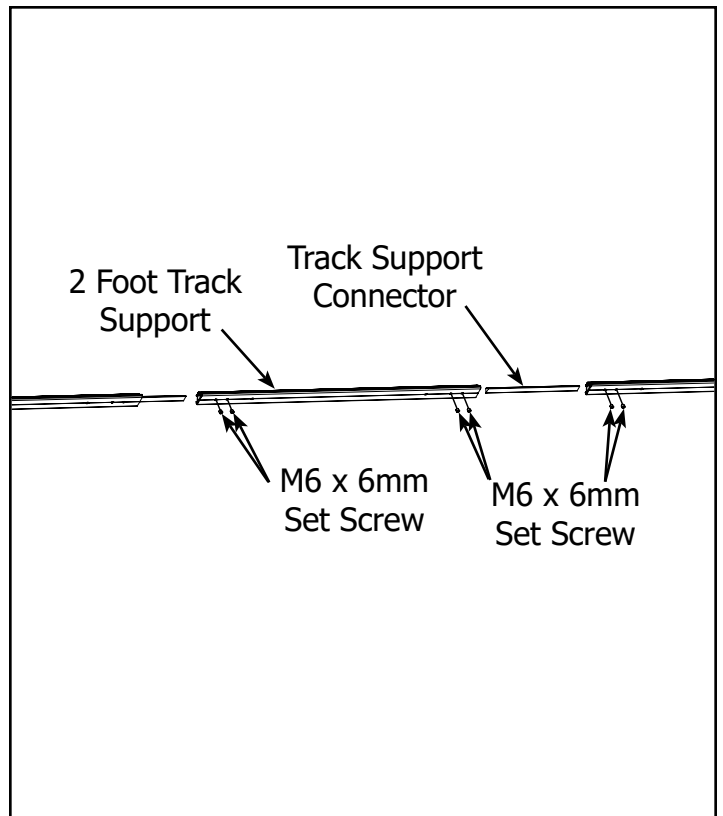
4mm Allen Wrench



5-1 Remove Plastic Track from your current configuration.

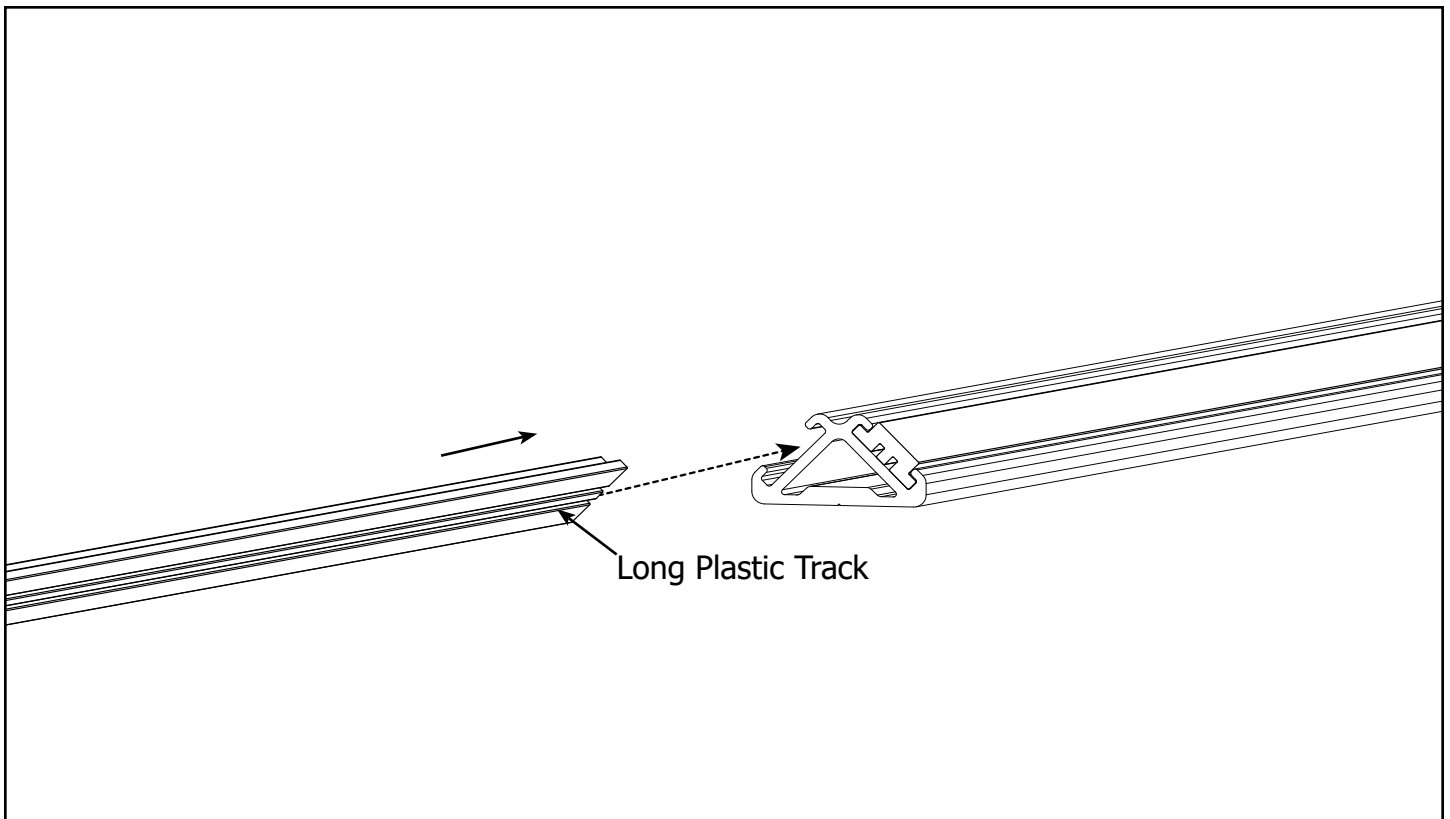


5-2 Remove one side of the Track Support from your current configuration.



5-3 Assemble Track Support Making sure there is no gap between the Track Support Extrusions.

Setup and Assembly



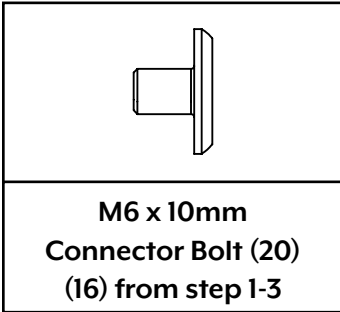
5-4 Install new 12 Foot Plastic Track.

Note: If you are adding the 2 Foot Extension to an 8 Foot Frame, you will need to cut the track with a saw. Do not bend the track to break it.

Setup and Assembly

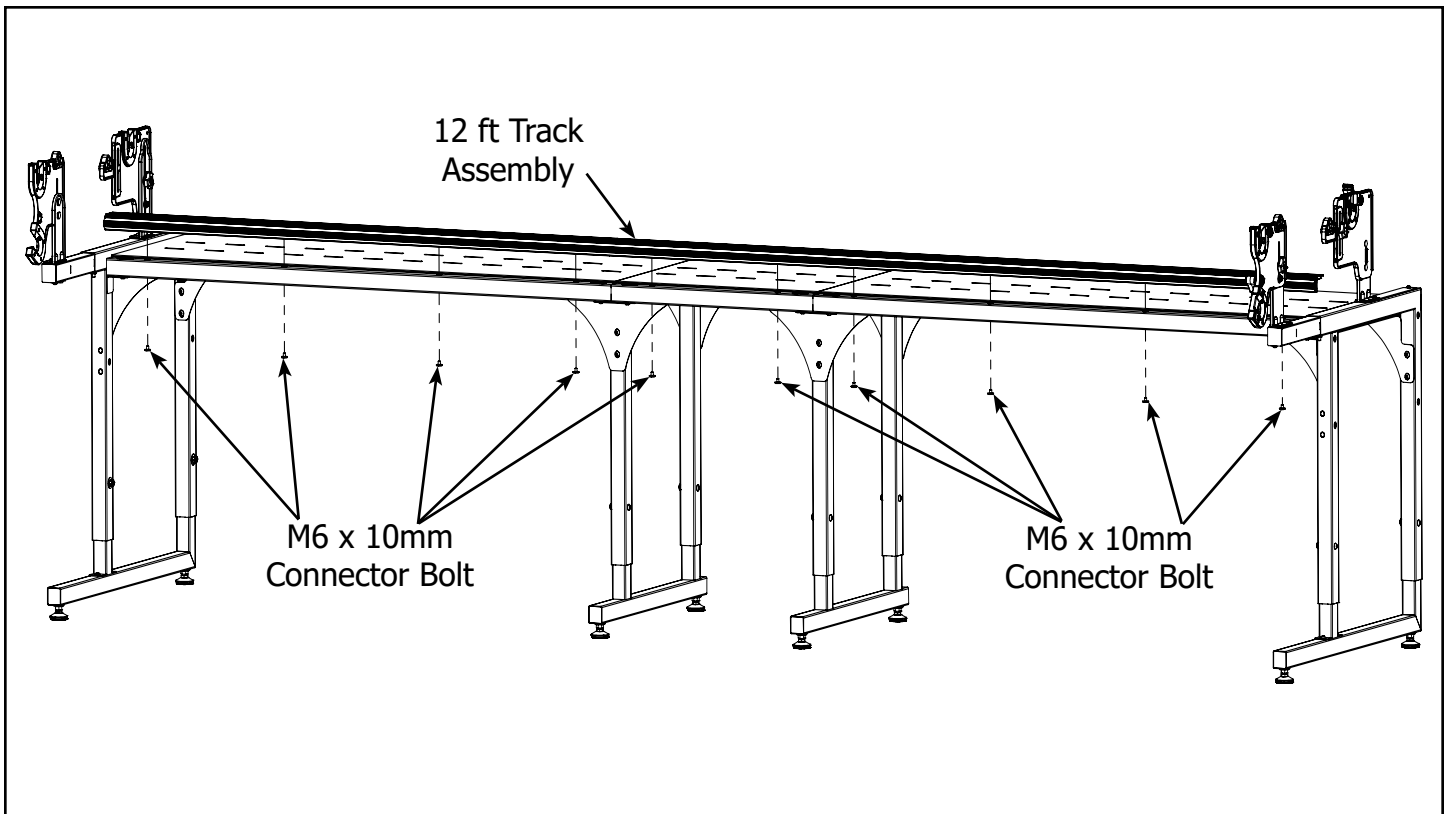
Step 6 - Track Assembly Installation

Parts Needed:



Tools Needed:

4mm Allen Wrench



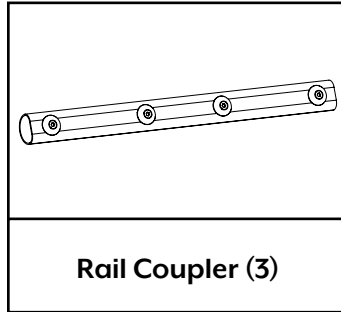
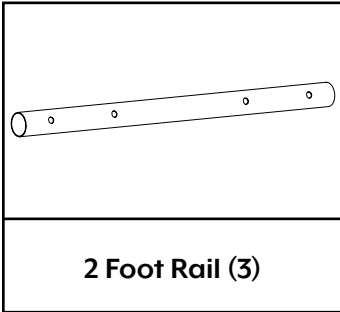
6-1 Install front Track Assembly using (10) M6 x 10mm Connector Bolts.

Note: Repeat for rear Track Assembly. Align the Tracks as shown in the Continuum Frame Assembly Instructions.

Setup and Assembly

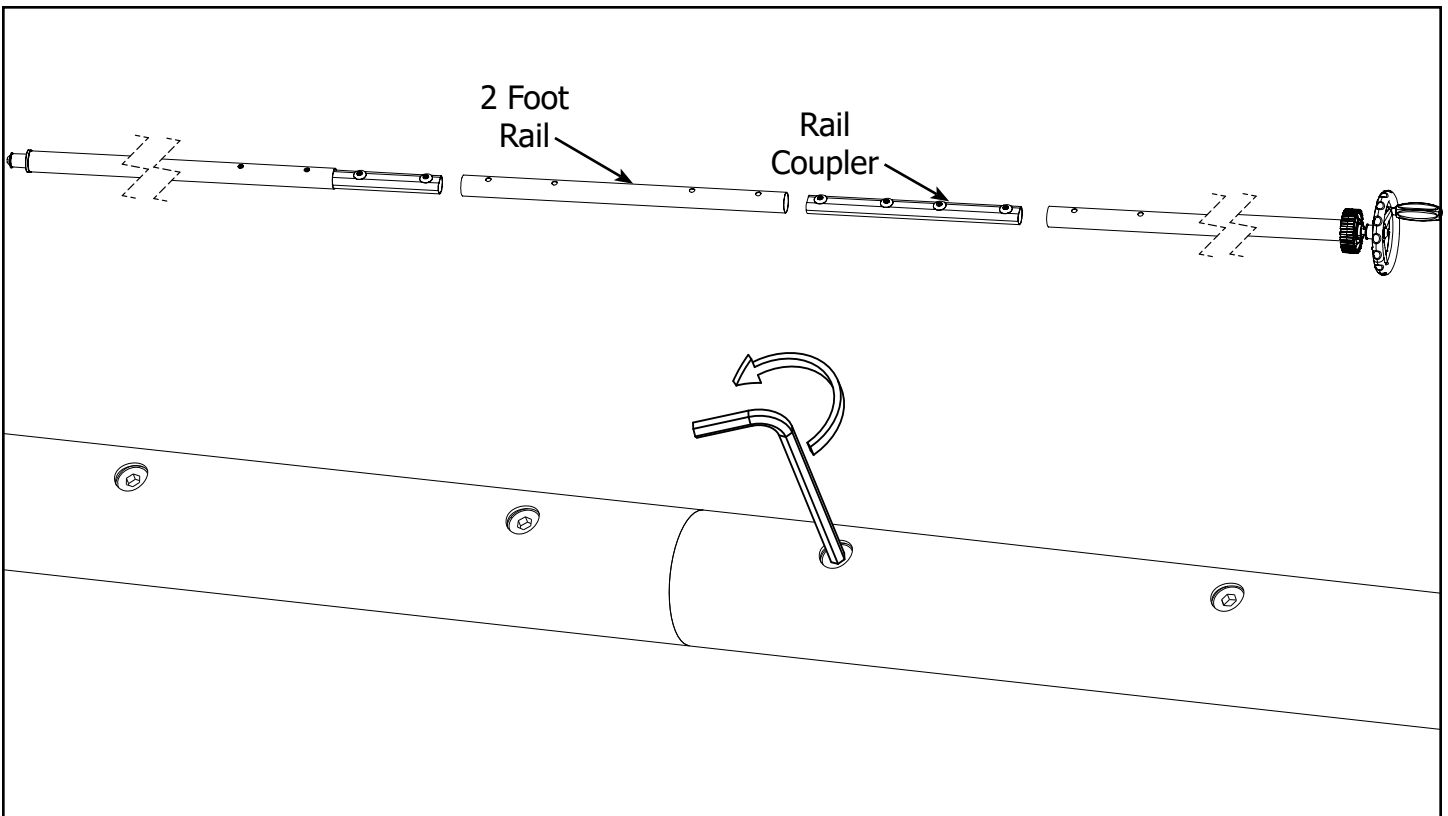
Step 7 - Rail Assembly

Parts Needed:



Tools Needed:

4mm Allen Wrench

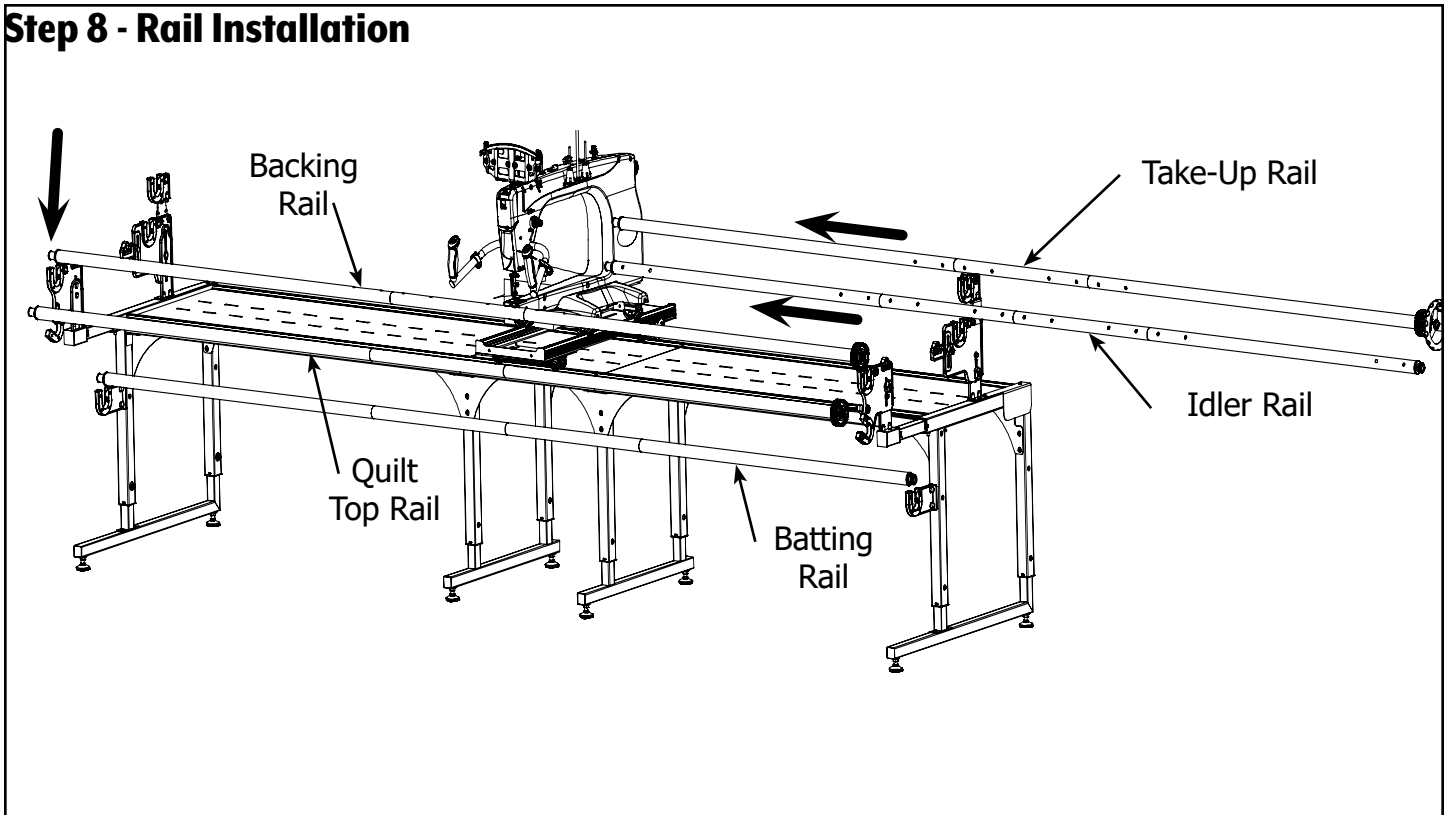


7-1 Assembly Rails as shown.

Note: If your system includes the 4th rail and/or idler rail accessories repeat step 7-1 for those rails. Idler rail 2 foot extension and coupler included with the idler rail.

Setup and Assembly

Step 8 - Rail Installation



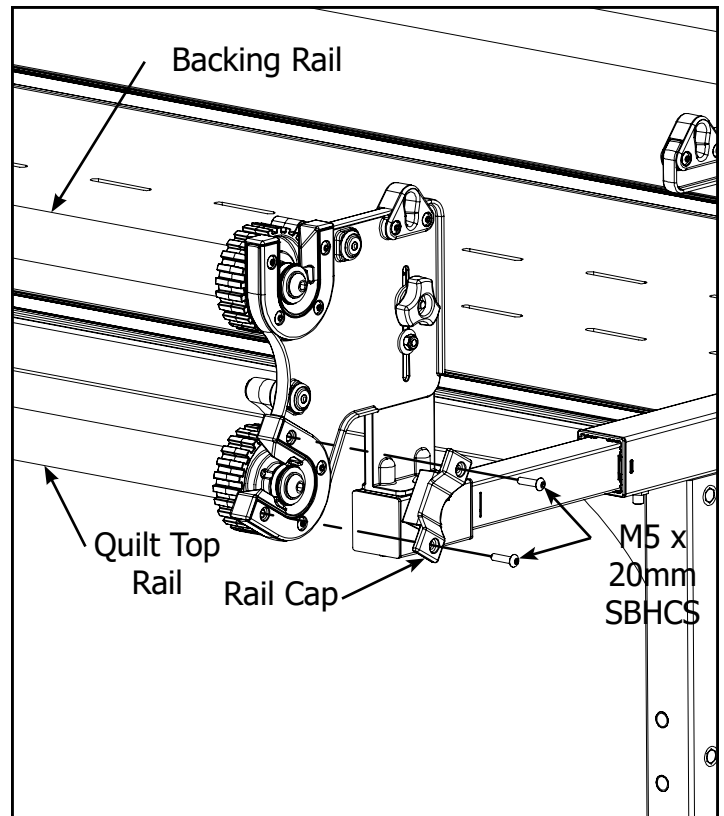
8-1 Install extended rail assemblies into position.

Note: Assembly shown with 4th rail and idler rail accessories.

Step 9- Rail Cap Installation

Tools Needed:

3mm Allen Wrench



9-1 Install rail caps from step 1-1 on right and left sides.

The Grace Company
2225 South 3200 West
Salt Lake City, UT 84119
Phone: 1-800-264-0644
www.graceframe.com

