

# Continuum Frame

## Batting Rail Instructions

**Table of Contents**..... i

**Parts List**

    Parts List..... ii

**Setup & Assembly**

    Step 1: Rail Bracket Installation..... 1

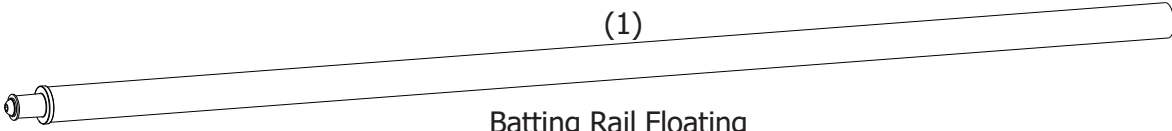
    Step 2: Batting Rail Assembly ..... 2

    Step 3: Rail Installation..... 3

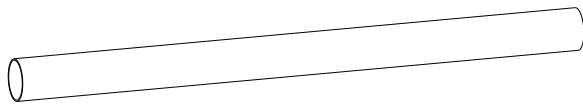
# Parts List | Batting Rail



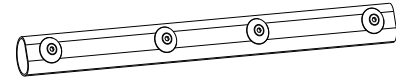
Batting Rail Fixed  
End Section  
(1)



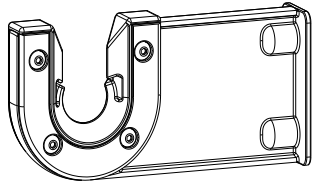
Batting Rail Floating  
End Section  
(1)



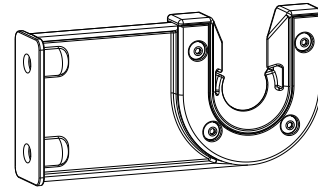
Batting Rail  
Middle Section  
(2)



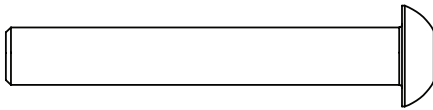
Rail Coupler  
(3)



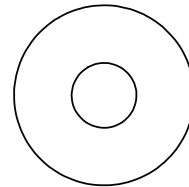
Right Batting  
Rail Holder  
(1)



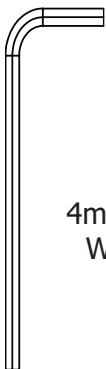
Left Batting  
Rail Holder  
(1)



M8 x 60mm  
SBHCS  
(4)



Flat Washer  
(4)



4mm Allen  
Wrench  
(1)



5mm Allen  
Wrench  
(1)

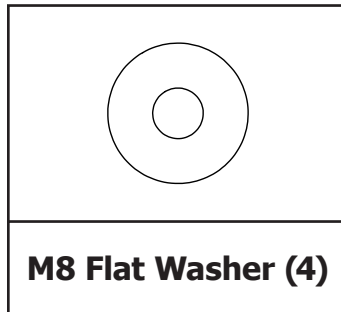
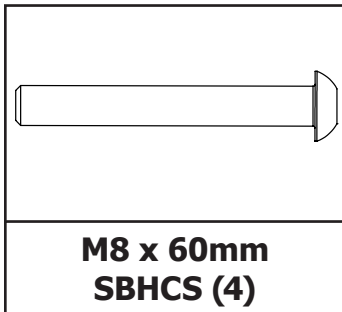
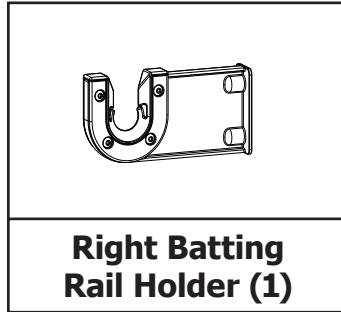
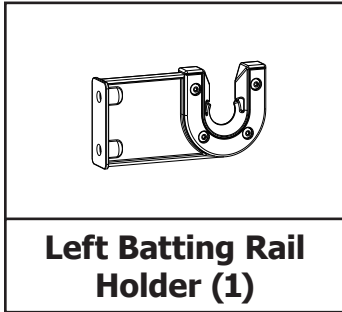


6mm Allen  
Wrench  
(1)

# Setup and Assembly

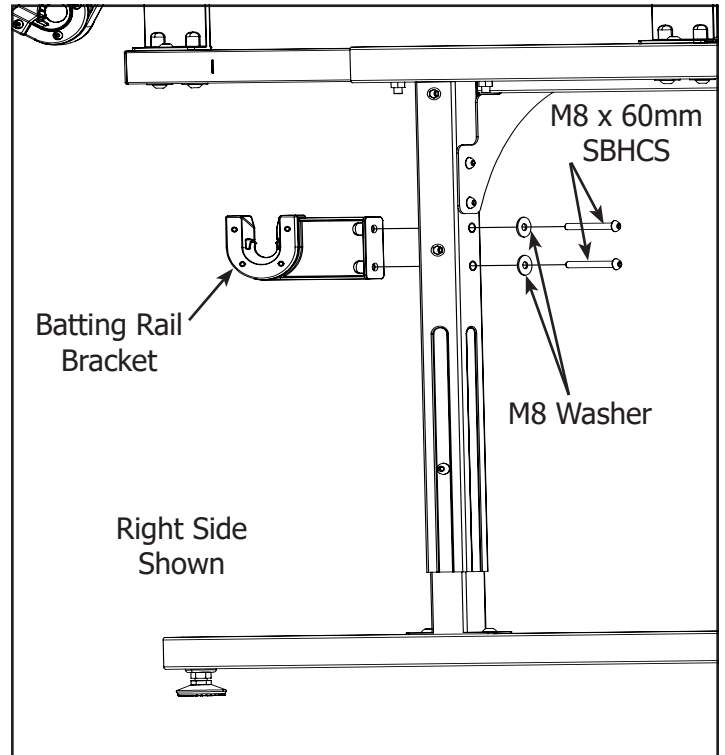
## Step 1 - Rail Bracket Installation

Parts Needed:



Tools Needed:

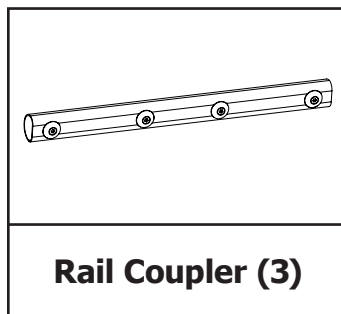
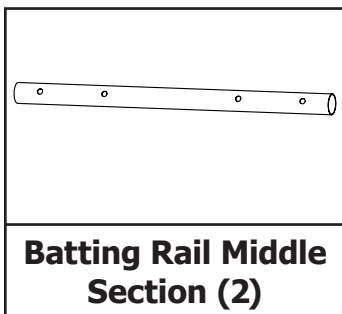
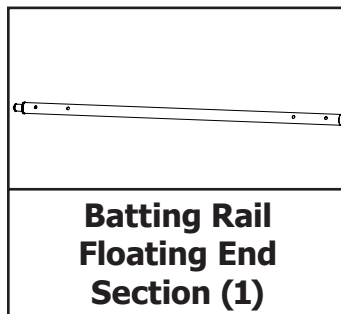
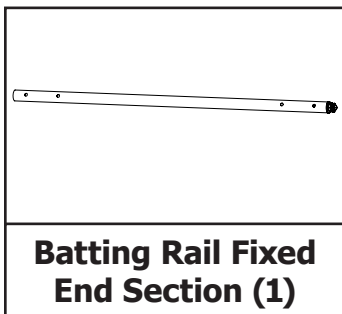
5mm Allen Wrench



1-1 Install Batting Rail Bracket on right and left legs.

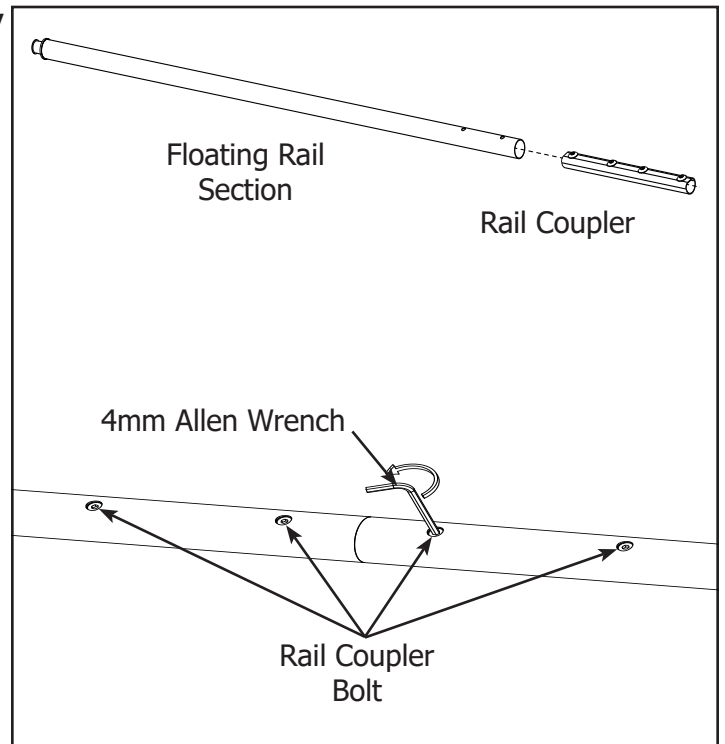
## Step 2 - Batting Rail Assembly

Parts Needed:



Tools Needed:

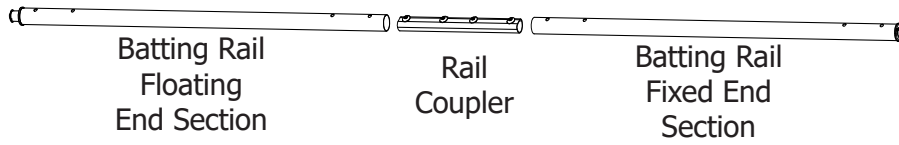
4mm Allen Wrench



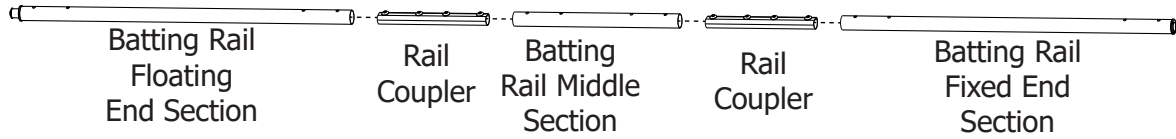
2-1 Slide Rail Coupler into Floating Rail Section and secure Rail Coupler by backing screws out. Slide the Batting Rail Fixed End Section onto Rail Coupler, tight against the appropriate Rail Section, and secure rail by backing screws out.

# Setup and Assembly

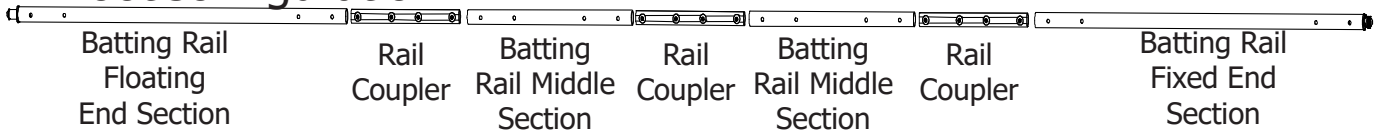
## 8 Foot Configuration



## 10 Foot Configuration



## 12 Foot Configuration



2-2 Assemble the Batting Rail.

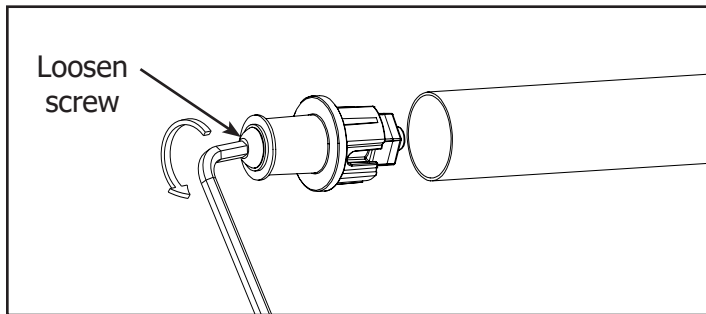
**Note:** Align holes and tighten on one side then repeat for other side.

For 4 Foot Assembly see Step 2-3a, for 5 Foot Assembly see Step 2-3b.

For the 8 foot configuration only use the Batting Rail Fixed End Section, the Batting Rail Floating End Section, and (1) Batting Rail Coupler.

For the 10 foot configuration use the Batting Rail Fixed End Section, the Batting Rail Floating End Section, the Batting Rail Middle Section, and (2) Batting Rail Couplers.

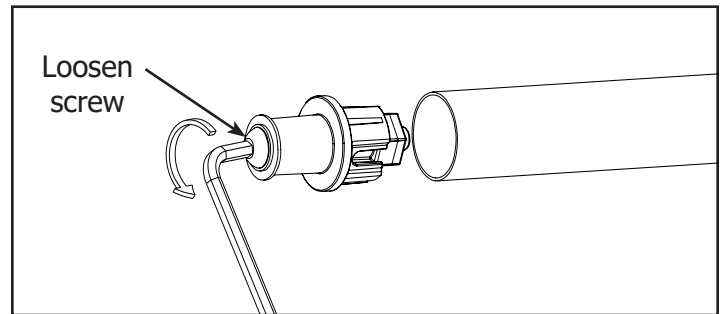
## 4 Foot Assembly



2-3a Remove Floating Rail Cap from the 4 Foot Rail Sections.

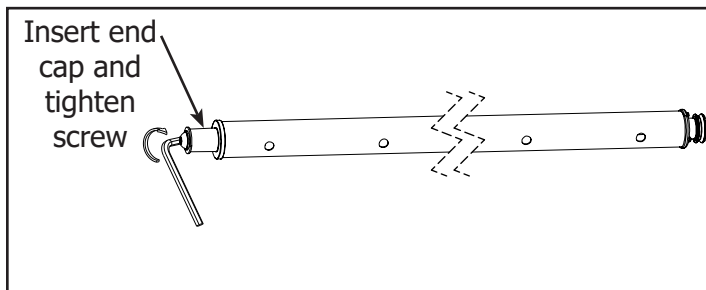
**Note:** Tap screw in to release the rail cap.

## 5 Foot Assembly

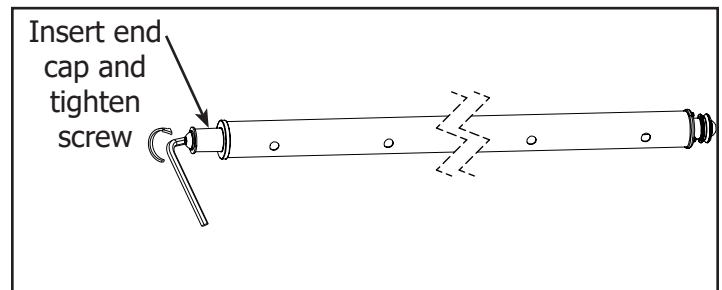


2-3b Remove Floating Rail Cap and the Fixed Rail End Cap from the 4 Foot Rail Sections.

**Note:** Tap screw in to release the rail cap.



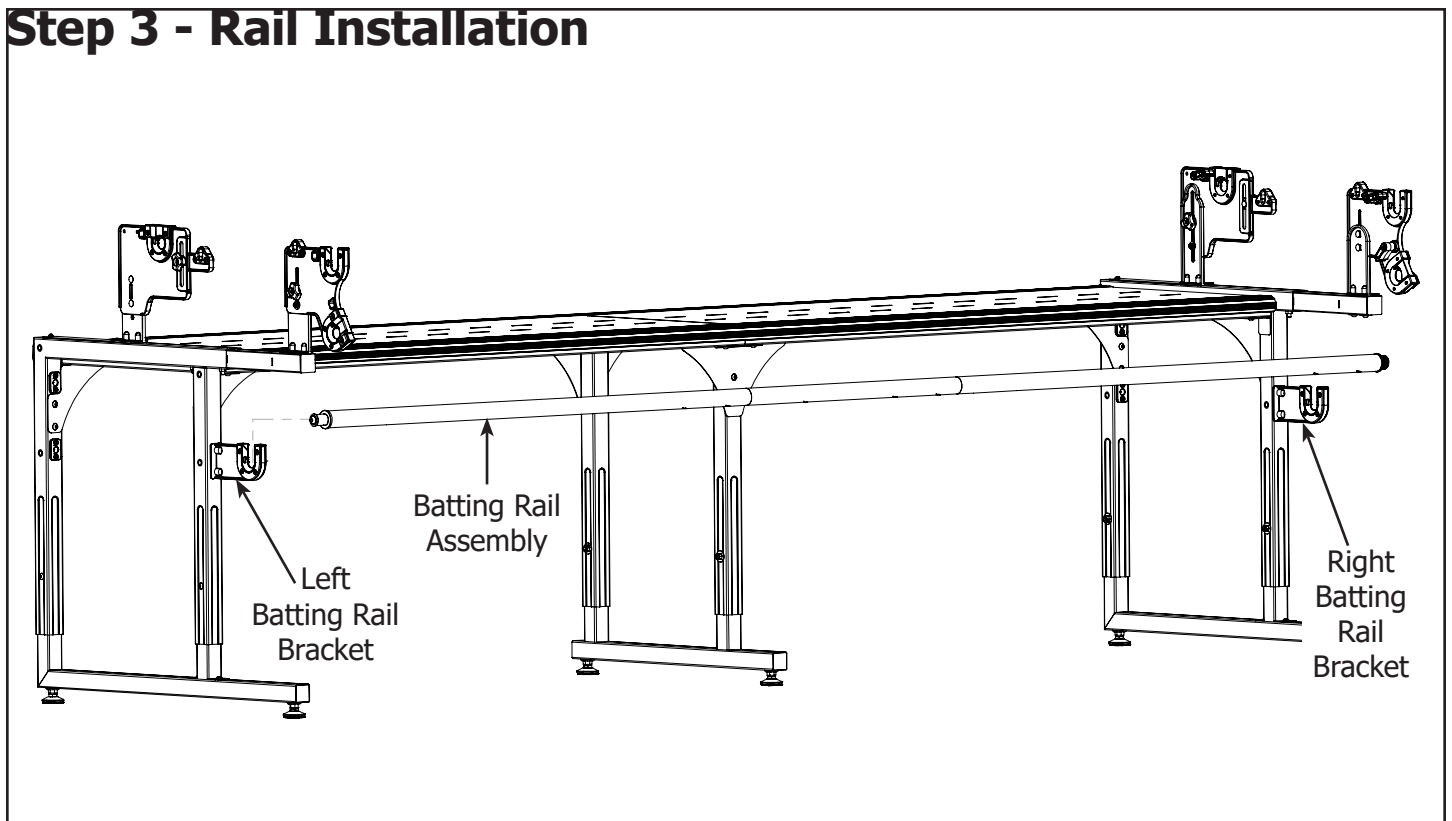
2-4a Insert the Floating End Rail Cap into the Fixed End Rail Section and tighten.



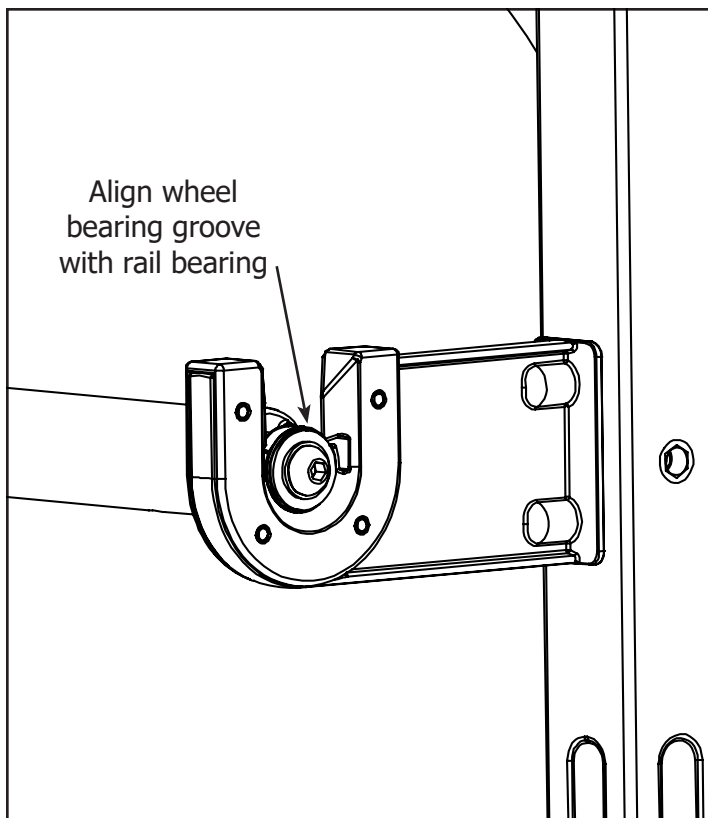
2-4b Insert the Floating Rail Cap and the Fixed Rail End Cap into a 5 Foot Rail Section from your original packaging and tighten.

# Setup and Assembly

## Step 3 - Rail Installation



3-1 Install Batting Rail Assembly onto Batting Rail Brackets with the floating end to the left.



**The Grace  
Company  
2225 South  
3200 West  
Salt Lake City,  
UT 84119**

