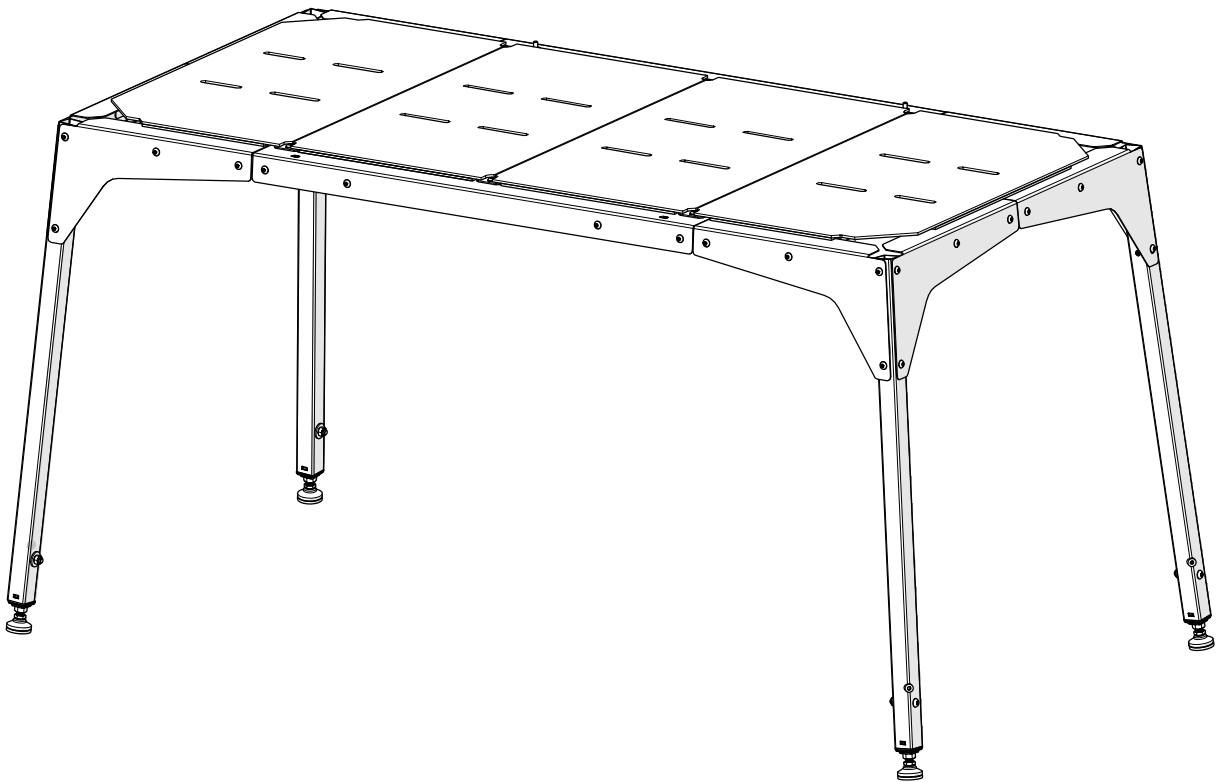


Cutie

Tabletop Fabric Frame

Accessory Legs Assembly & Use



Copyright January 11th, 2021

Grace Company

(Reproduction Prohibited)

Version 1.2

Grace
COMPANY

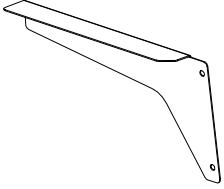
Contents

Included Parts & Tools.....	3
Step 1 - Assembling the Legs.....	4
Step 2 - Assembling the Table.....	7
Step 3 - Setting the Table Height.....	8
Step 4 - Installing the Frame.....	11
Step 5 - Leveling the Frame	12

Included Parts & Tools

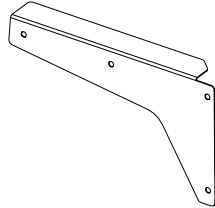
Please make sure all pieces are included in your kit.

**Leg Corner
Bracket A (x4)**



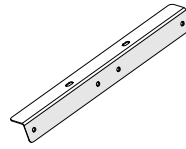
QTT-04-14748
See page 4

**Leg Corner
Bracket B (x4)**



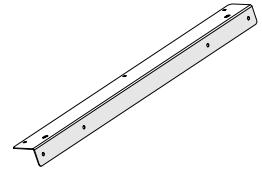
QTT-04-14749
See page 4

**Table Support
Brace (x6)**



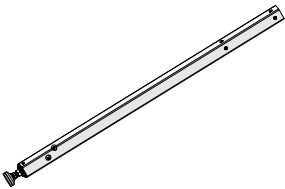
QTT-04-14752
See page 4

Spacer Brace (x2)



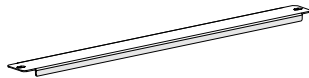
QTT-04-14750
See page 4

Leg Assembly (x4)



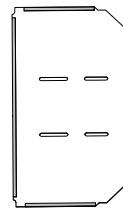
QTT-09-20001
See page 4

Cross Support (x3)



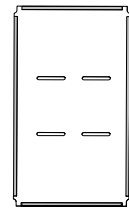
QTT-04-14751
See page 7

**Side Table Section
with Foam (x2)**



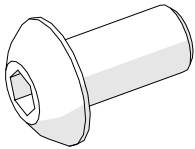
QTT-09-20002
See page 7

**Center Table Section
with Foam (x2)**



QTT-09-20003
See page 7

**SBHCS
M5 X 10 mm (x50)**



QTT-03-10073

**Allen Wrench
4 mm**



QTT-03-10167

**Allen Wrench
3 mm**



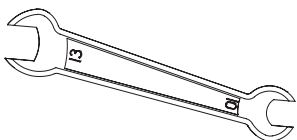
QTT-03-10166

**Allen Wrench
2.5 mm**



QTT-03-10165

**Box-end Wrench
13 mm & 10 mm**

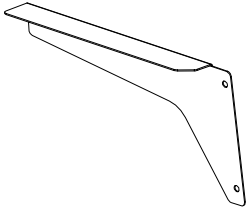


QTT-03-10743

Step 1 - Assembling the Legs

Parts & Tools Needed:

Leg Corner Bracket A (x4)



Leg Corner Bracket B (x4)

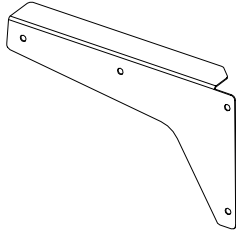
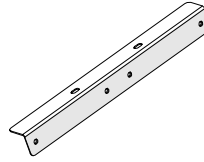
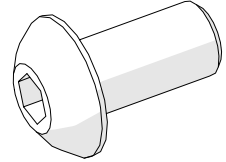


Table Support Brace (x6)



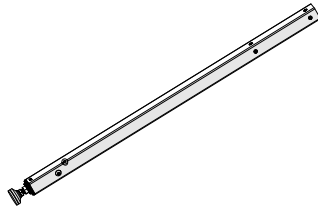
SBHCS M5 x 10 mm (x40)



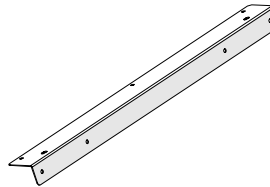
3 mm Allen Wrench



Leg Assembly (x4)



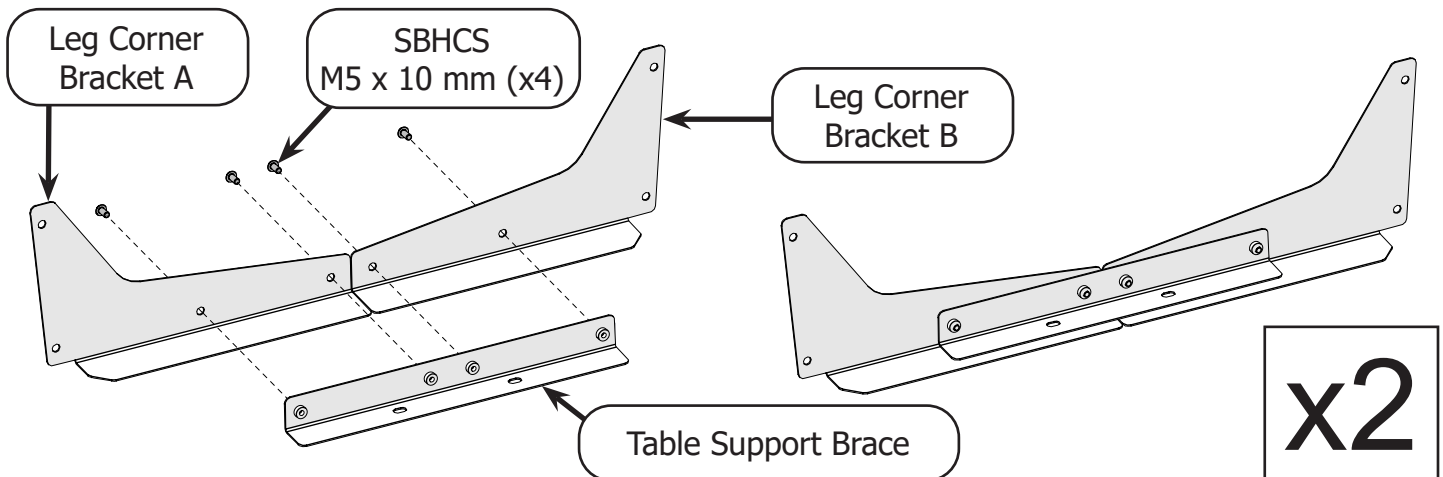
Spacer Brace (x2)



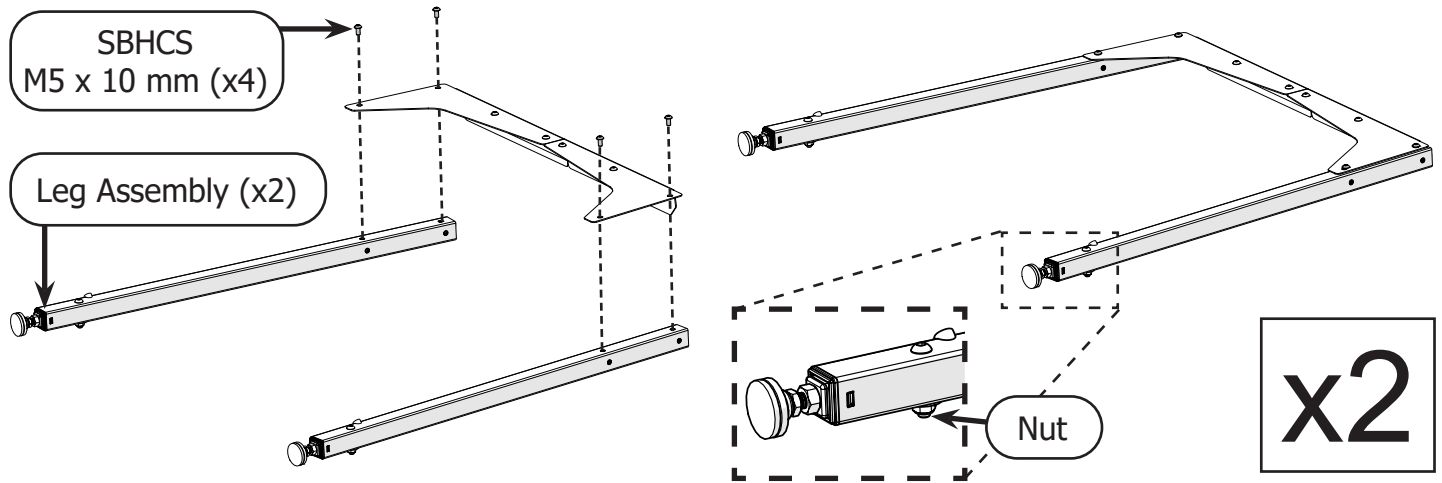
Instructions

Take the following steps:

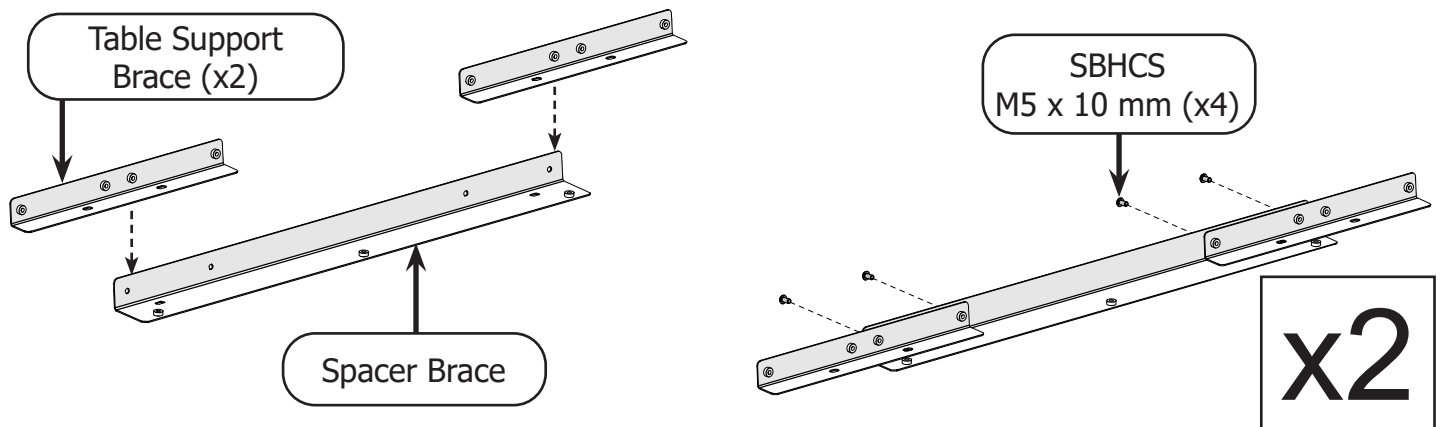
- 1 Use four **M5 x 10 mm SBHCS** and the 3 mm Allen wrench to attach a **table support brace** to a **leg corner bracket A** and a **leg corner bracket B**. Do this twice.



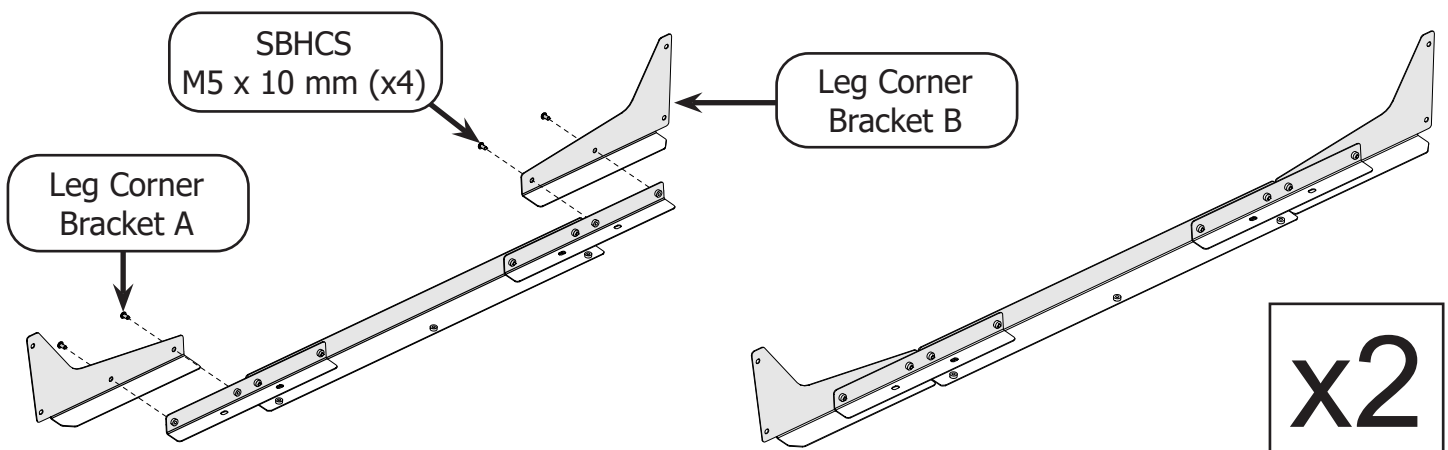
- 2 With another four **M5 x 10 mm SBHCS**, screw a **table leg** to the leg corner braces. Attach so the **nuts** on the legs face away from the corner braces. Do this step twice.



- 3 Place two **table support braces** onto a **spacer brace**, and screw into place with four **M5 x 10 mm SBHCS** and the 3 mm Allen wrench. Do this step twice.

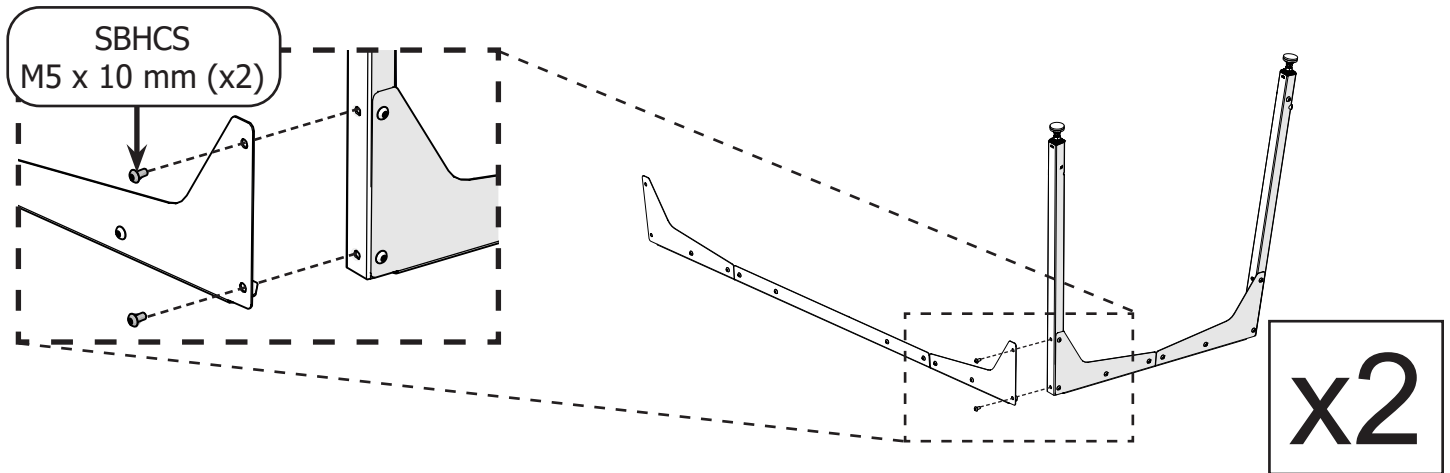


- 4 Attach a **leg corner bracket A** and **B** with four **M5 x 10 mm SBHCS**. Do this step twice.

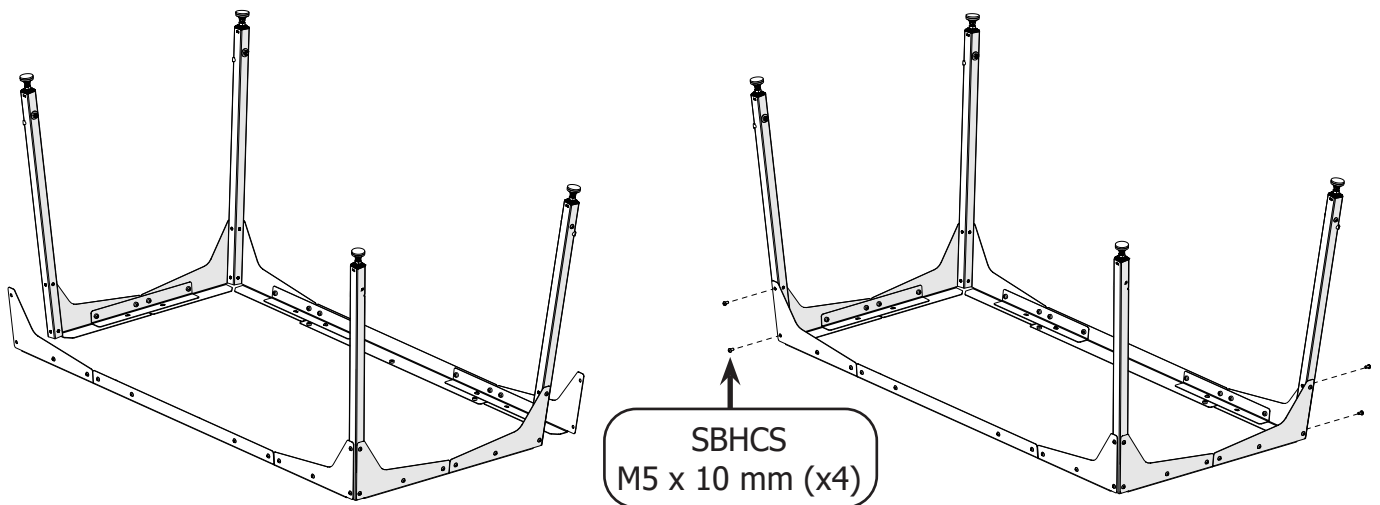


Cutie Frame - Accessory Legs

- 5 Attach one of the frame ends from step 2 to one of the frame sides from step 4 using two M5 x 10 mm SBHCS. Do this step twice.



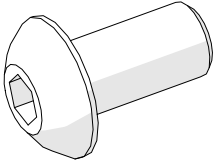
- 6 Align the two frame corners and attach them together with four M5 x 10 mm SBHCS.



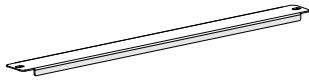
Step 2 - Assembling the Table

Parts & Tools Needed:

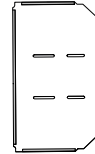
**SBHCS M5 X
10 mm (x6)**



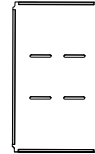
Cross Support (x3)



**Side Table Section
with Foam (x2)**



**Center Table Section
with Foam (x2)**



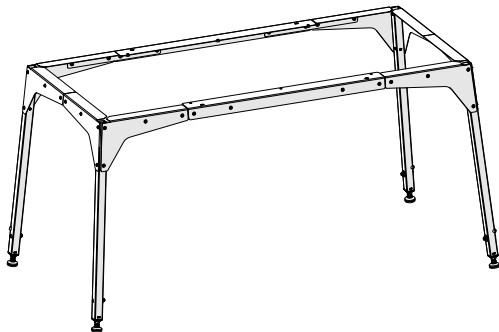
3 mm Allen Wrench



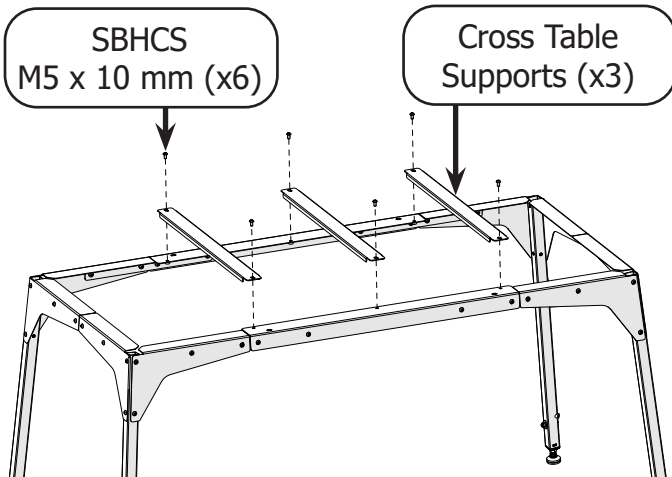
Instructions

Assemble the tabletop to add stability to the legs. Take the following steps:

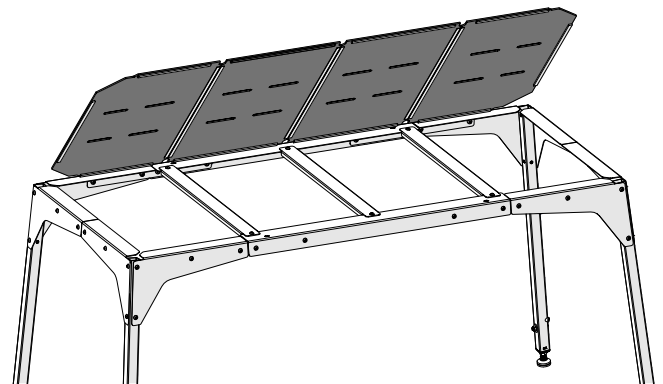
- 1 Stand up the frame legs.



- 2 Use two **M5 x 10 mm SBHCS** to attach each of the **cross table supports**.



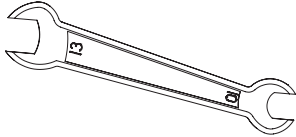
- 3 Remove the tape coverings on the table sections and install the table sections.



Step 3 - Setting the Table Height

Parts & Tools Needed:

Box-End Wrench
13 mm & 10 mm



4 mm Allen Wrench



2.5 mm Allen Wrench



 **Tape Measure**
(not included)

 **Pen or Pencil**
(not included)

Instructions

Before installing the table top frame onto the legs, set the height. We recommend setting the height so that your elbows will be at a near 90 degree angle when operating the machine. This can be achieved by following steps 1-3 below.

- 1 Sit in the chair you plan to use when quilting. If you will be quilting while standing, stand up.



- 2 With your arms at your side, measure the distance from your elbow to the floor.

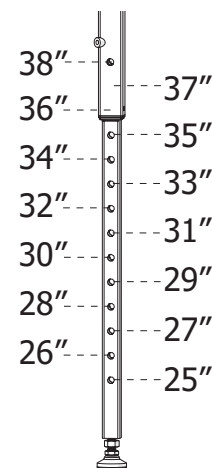


- 3 If you are using a top plate and home sewing machine, subtract 5" from this measurement.

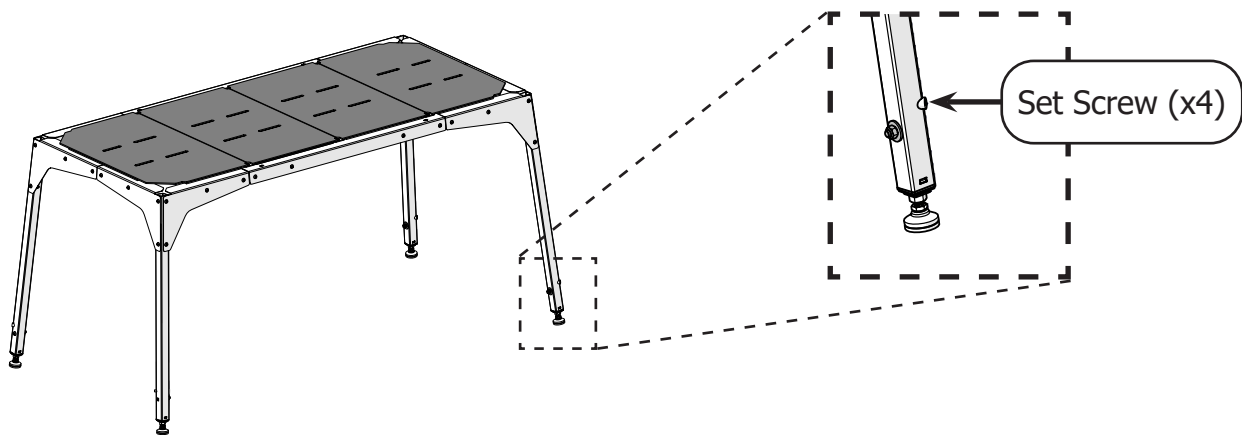
If you are using a quilting machine, measure the height of your machine handlebars, add 2 to this number, and subtract the result from your measurement.

Measurement: _____ 

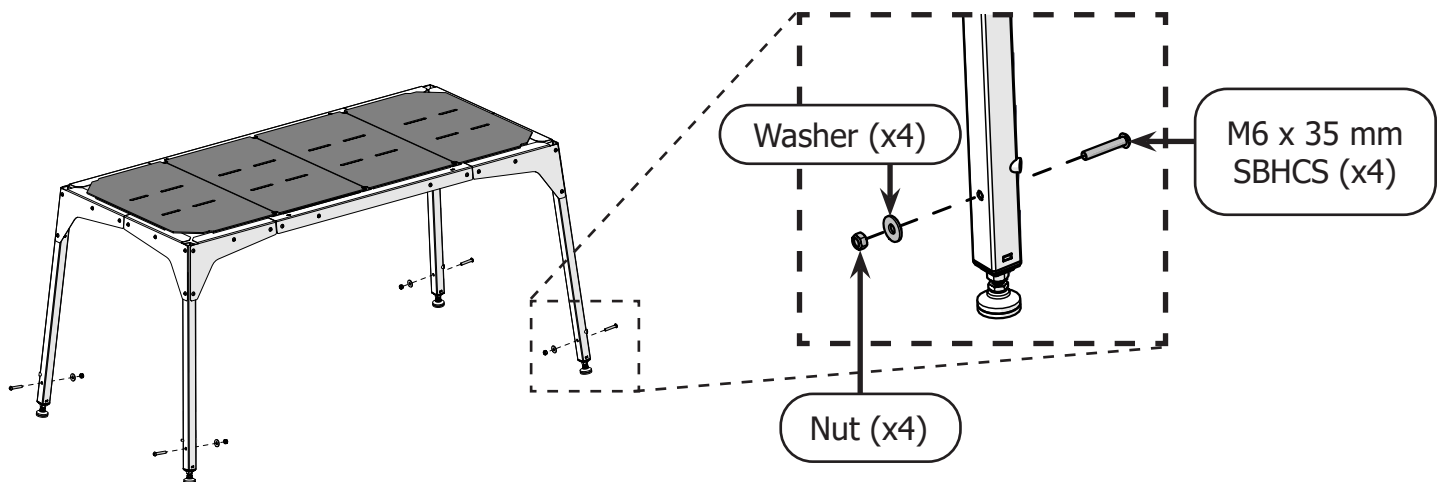
- 4 Find the hole number closest to your measurement in the graphic below.



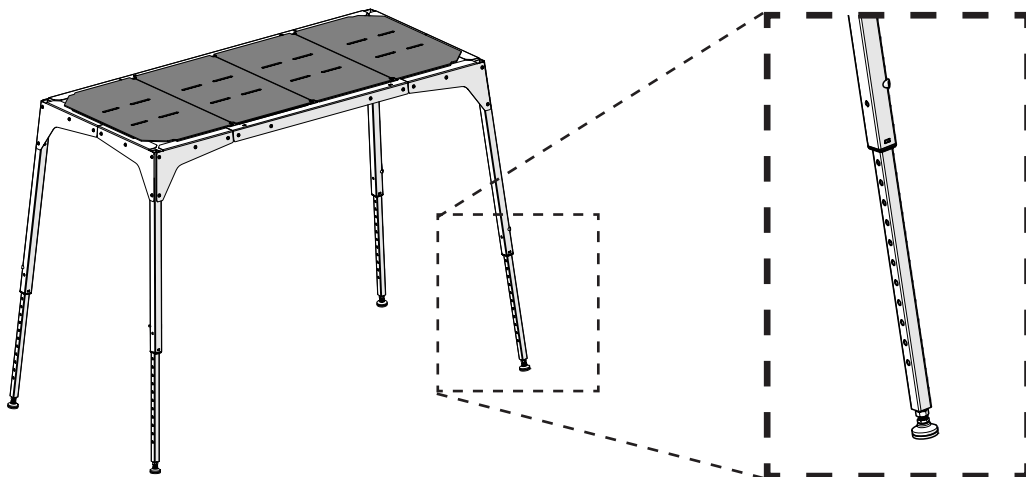
- 5 With the 2.5 mm Allen wrench, loosen the set screws in each leg of the frame.



- 6 Use the 4 mm Allen wrench and 10 mm Box-End wrench to remove the **M6 x 35 mm SBHCS** screw, **washer**, and **nut** on each leg.

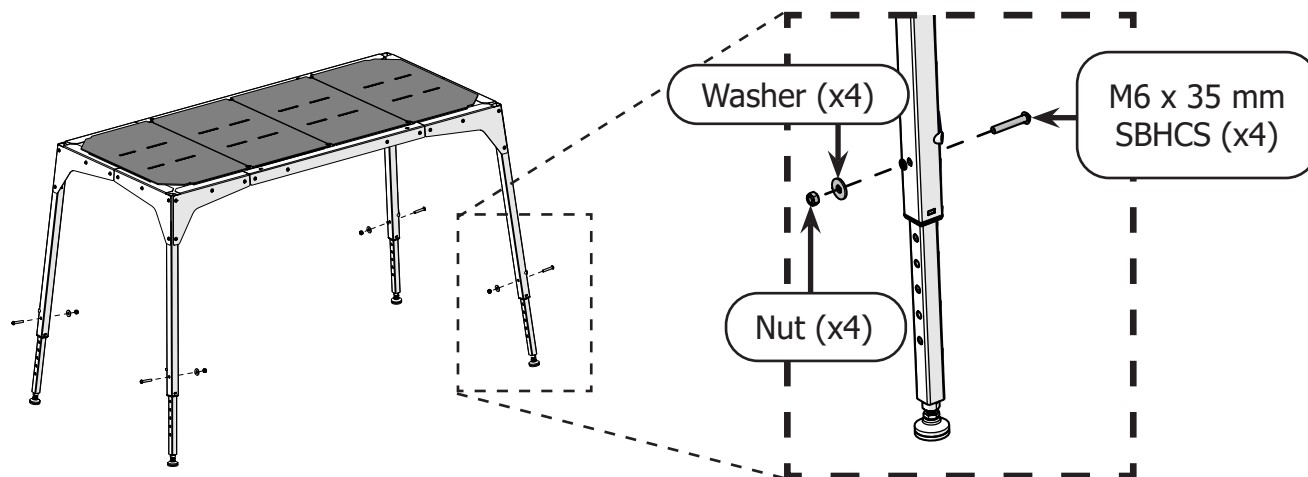


- 7 With a friend's help, lift the frame table up to the desired height. Set each leg to the hole chosen in step 4.

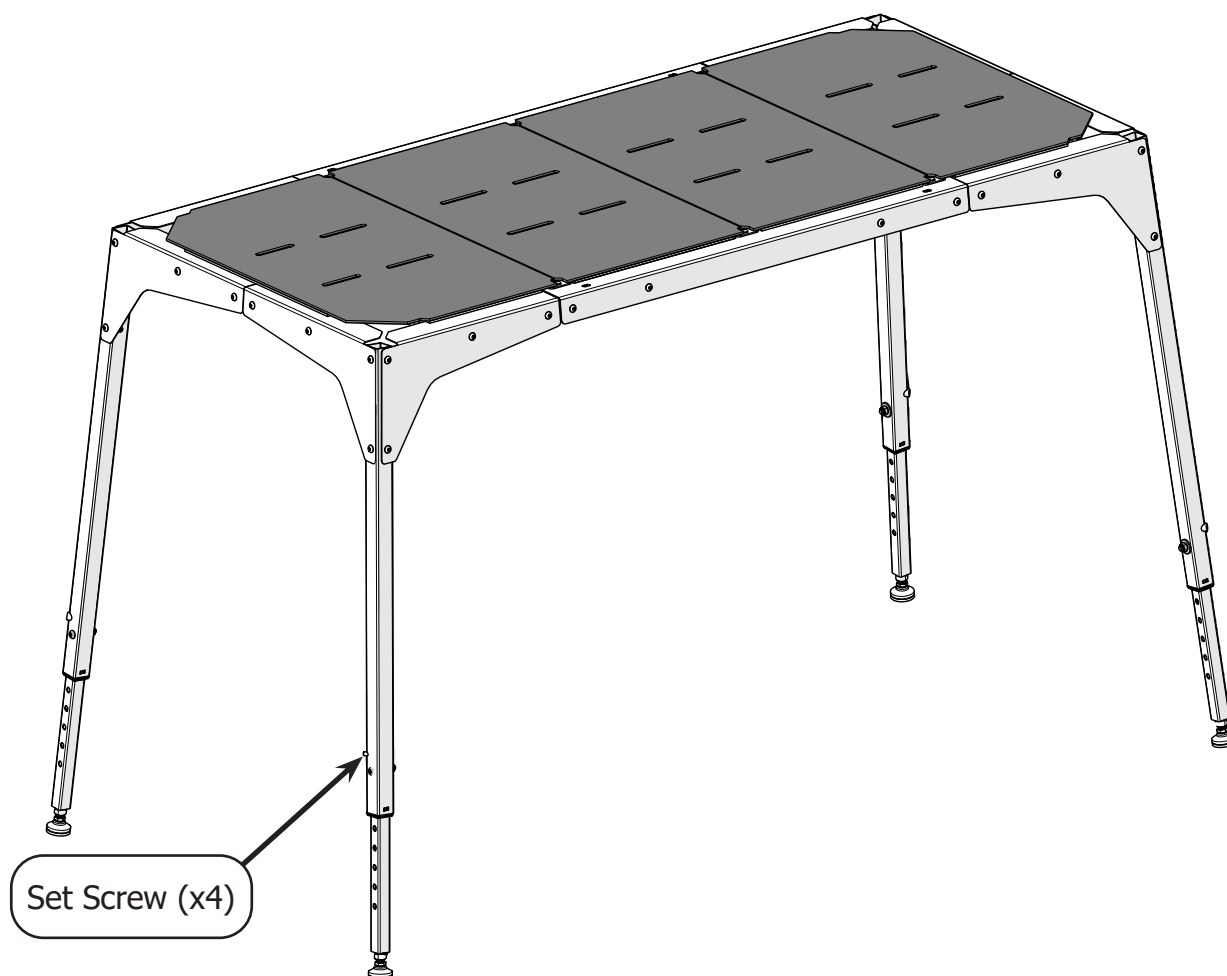


Cutie Frame - Accessory Legs

- 8 Once the height is set, reinstall the **M6 x 35 mm SBHCS** screw, **washer**, and **nut** on each leg with the 4 mm Allen wrench and the 10 mm box-end wrench.



- 9 Re-tighten the **set screw** on each leg with the 2.5 mm Allen wrench.

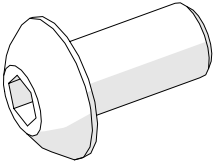


Step 4 - Installing the Frame

Parts & Tools Needed:

SBHCS
M5 X 10 mm (x4)

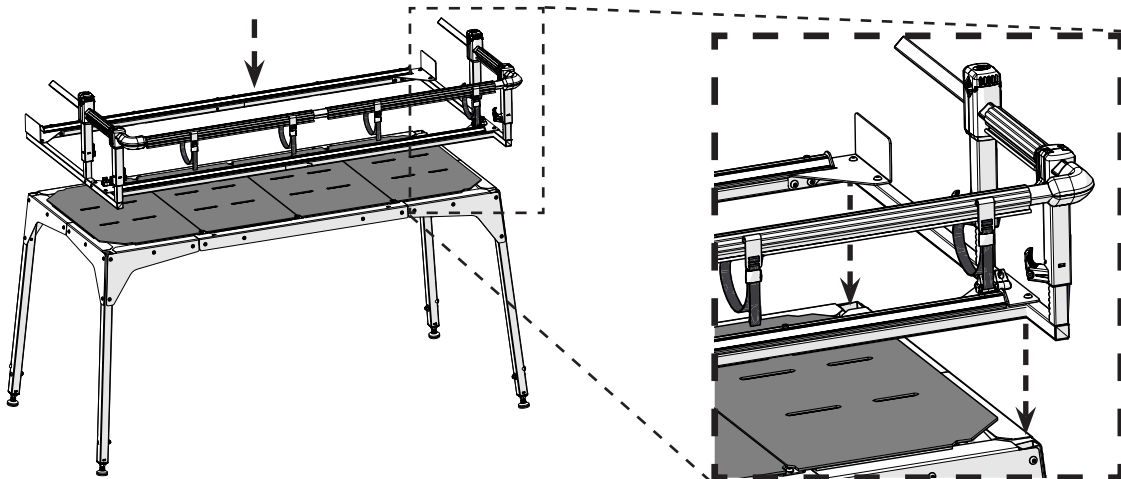
3 mm Allen Wrench



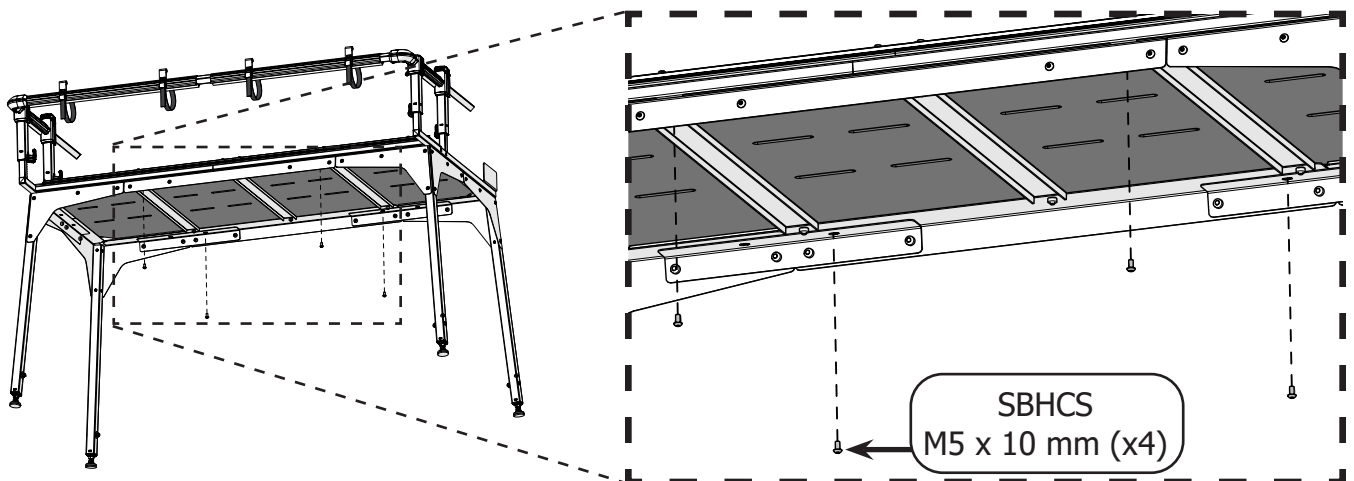
Instructions

Take the follow steps to secure the table-top frame to the frame legs and table:

- 1 Uninstall the take-up (rear) rail, sewing machine, top plate, and bottom carriage from the table-top frame and carefully place the frame onto the table.



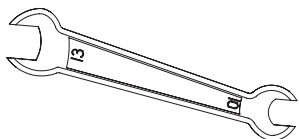
- 2 Use four **M5 x 10 mm SBHCS** and the 3 mm Allen wrench to attach the legs and table-top frame. When finished, reinstall the parts removed in the previous step.



Step 5 - Leveling the Frame

Parts & Tools Needed:

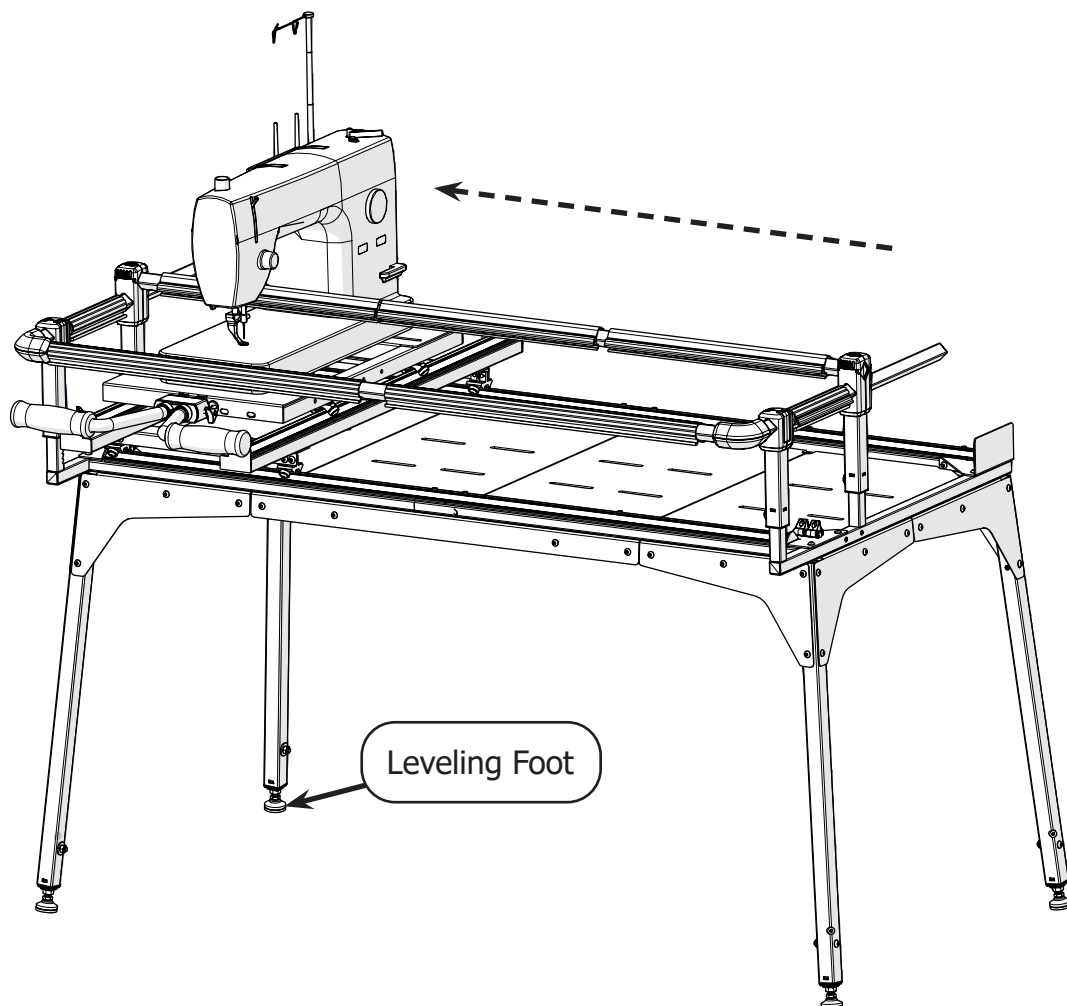
Box-end Wrench
13 mm & 10 mm



Instructions

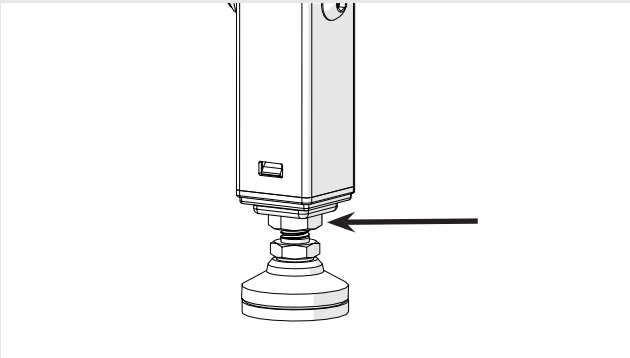
A level frame prevents the machine from wandering on the track when you let go of the handles. Take the following steps to level your frame:

- 1 Move the machine and bottom carriage to one corner of the frame and then release. If the machine rolls away from the corner, use the 13 mm wrench to adjust the **leveling foot** at the bottom of the leg.

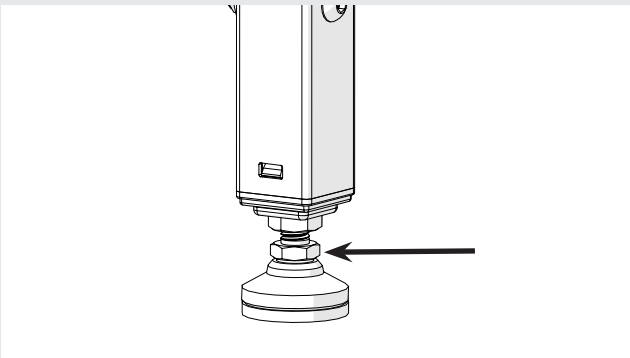


Leveling Foot Adjustment

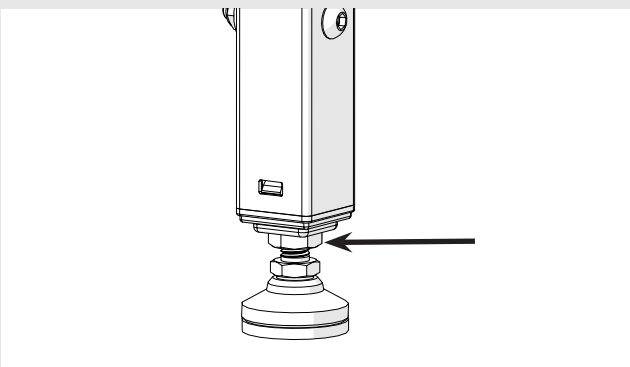
- a Loosen the top nut on the leveling foot with the 13 mm wrench.



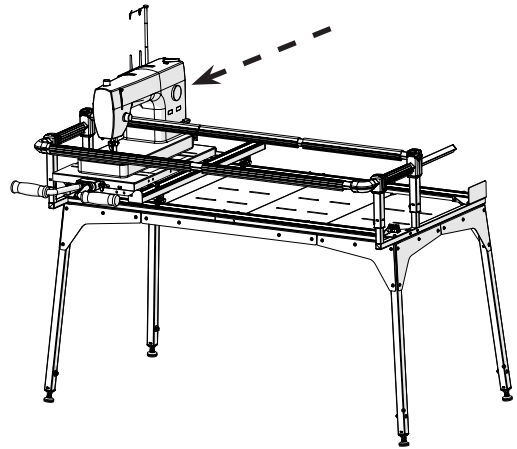
- b Turn the bottom nut with the wrench until the desired height is set.



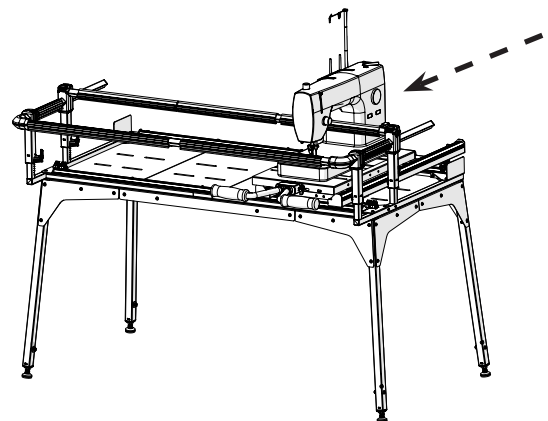
- c Tighten the top nut until it is firm against the frame leg with the wrench.



- 2 Test the next corner of the frame, and adjust the leveling foot underneath if needed.



- 3 Test the middle of the frame next, and then the other two corners.



Grace
COMPANY

www.graceframe.com
1-800-264-0644