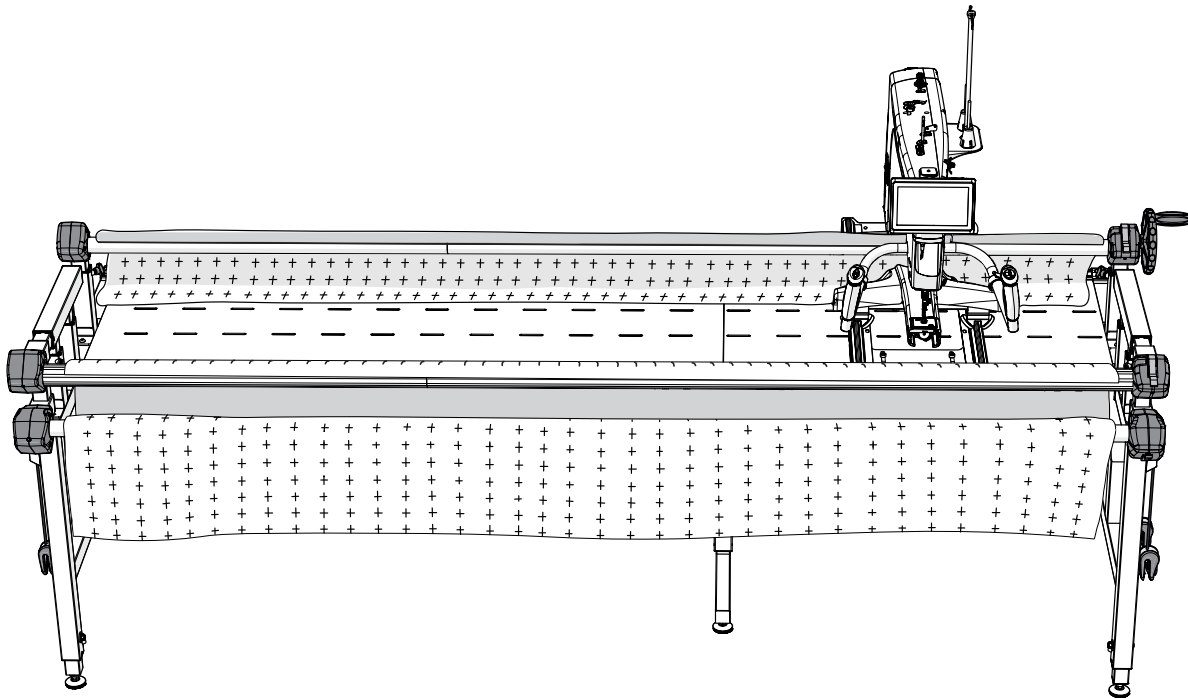


Grace Company

Precision Cloth Leaders

136" Cloth Leader Installation & Use Instructions

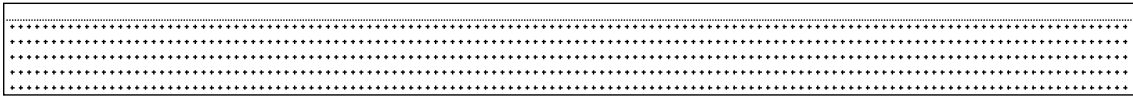


Contents

Included Parts and Tools	2
Cloth Leader Preparation - For Frames Under 12 Feet Long.....	3
Installing the Velcro	4
Installing the Cloth Leaders	7
Attaching Your Quilt to the Frame	9

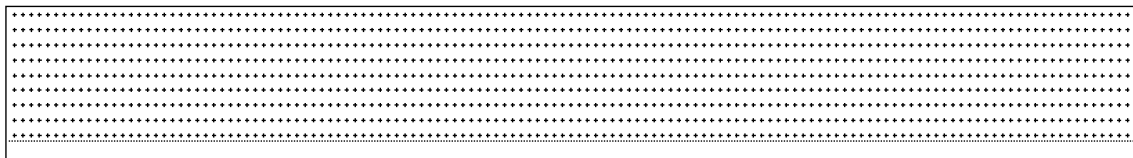
Included Parts and Tools

Cloth Leader 136" x 11"



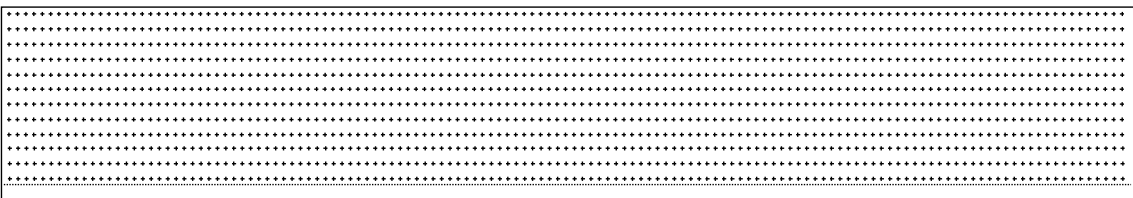
ACC-08-13517

Cloth Leader 136" x 19"



ACC-08-13518

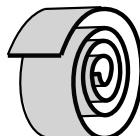
Cloth Leader 136" x 24"



ACC-08-13519

Cloth Leader Velcro Tape

(x3)



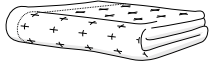
ACC-08-13520

Cloth Leader Preparation - For Frames Under 12 Feet Long

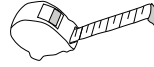
IMPORTANT!

These steps cover cutting the cloth leaders to the correct size for your frame. If you have a 12-foot frame, **do not** cut your cloth leaders. They are already at the proper length.

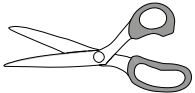
Parts & Tools Needed:



All Three Cloth Leaders



Tape Measure (not included)



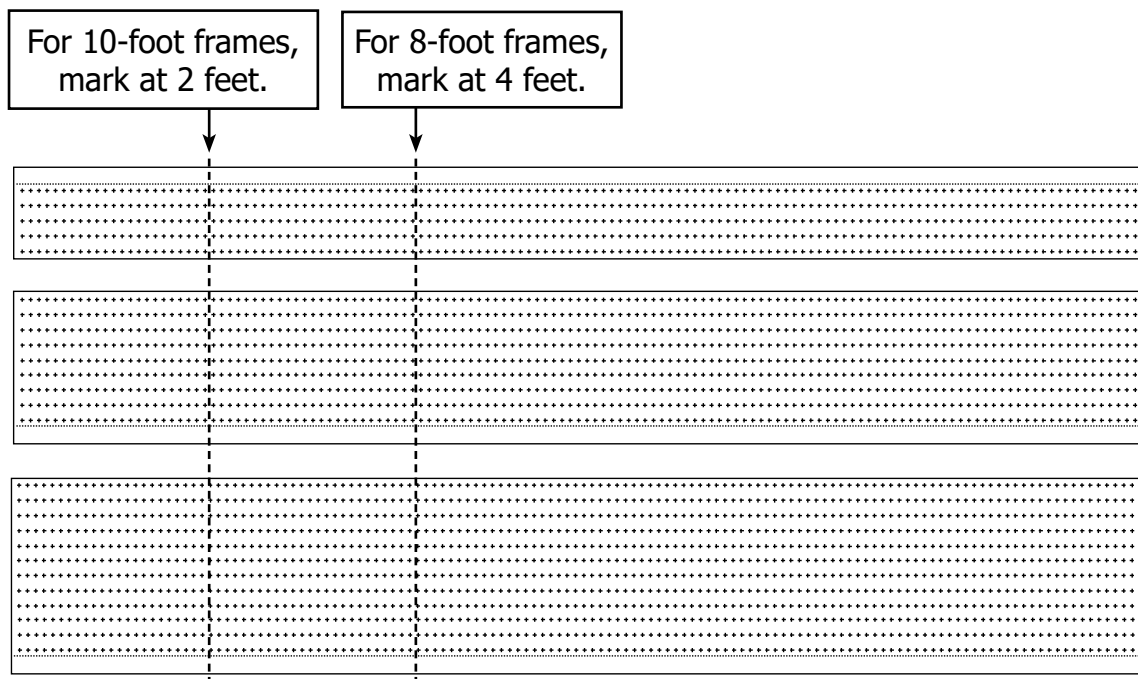
Scissors or Rotary Cutter
(not included)



Fabric Marking Tool
(not included)

Instructions

- 1 If you're using an 8 or 10-foot frame, the cloth leaders are too long for your frame and must be shortened to the proper length. Start from the left edge of each cloth leader and measure 2 feet in (for 10-foot frames) or 4 feet in (for 8-foot frames). Mark the cloth leaders where they must be cut. **Tip:** For neatness, use a fabric marking tool to create a vertical cut-line to follow along with your scissors.



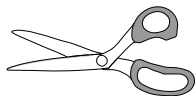
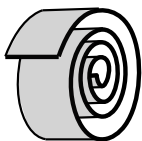
- 2 With scissors or a rotary cutter, cut each cloth leader at the mark you made for your frame's size.
- 3 **Result:** The cloth leaders are the appropriate length for your frame.

Installing the Velcro

Note: Your frame may appear different from the one in the illustrations below. The steps are still the same.

Parts & Tools Needed:

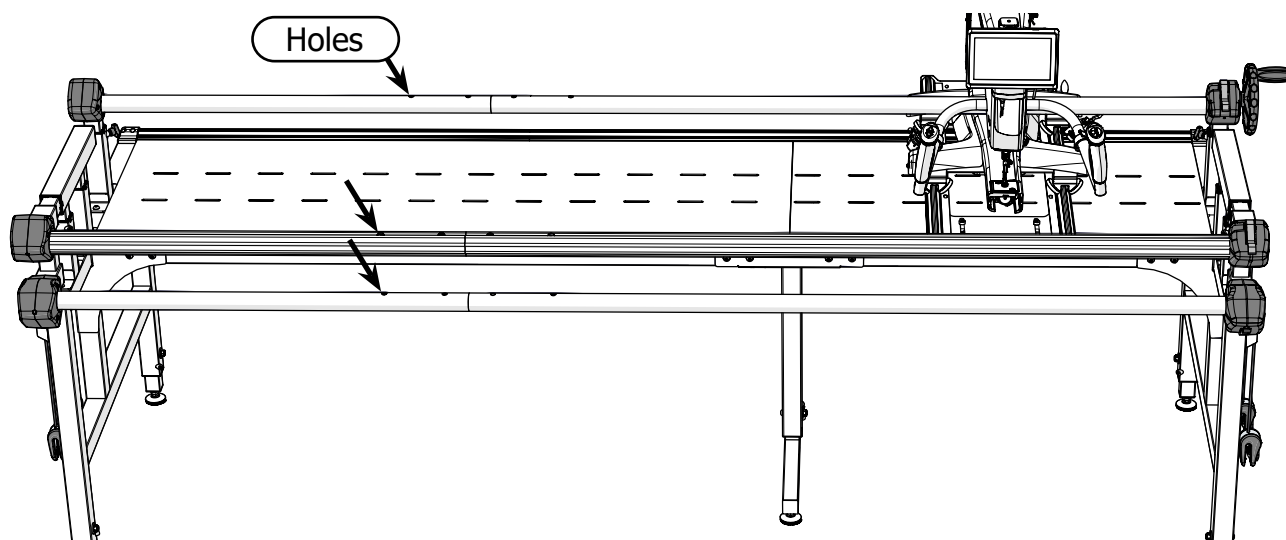
Velcro Tape (x3)



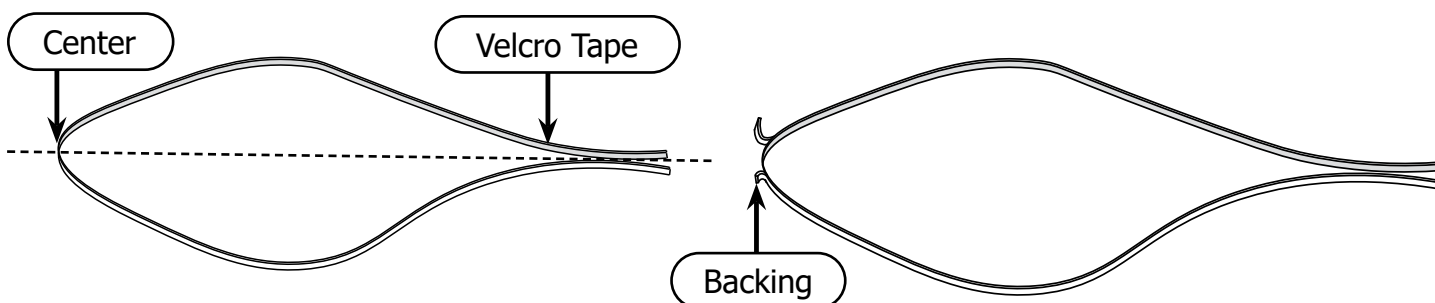
Scissors
(frames under 12 feet only)

Instructions

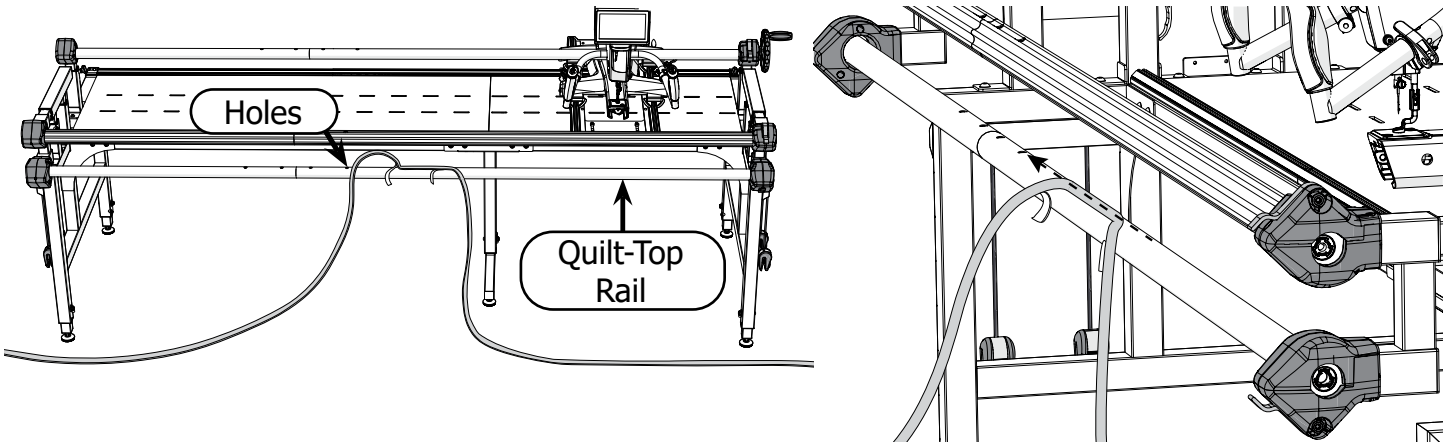
- 1 Turn all three of the frame's rails so that there are four **holes** pointing upward.



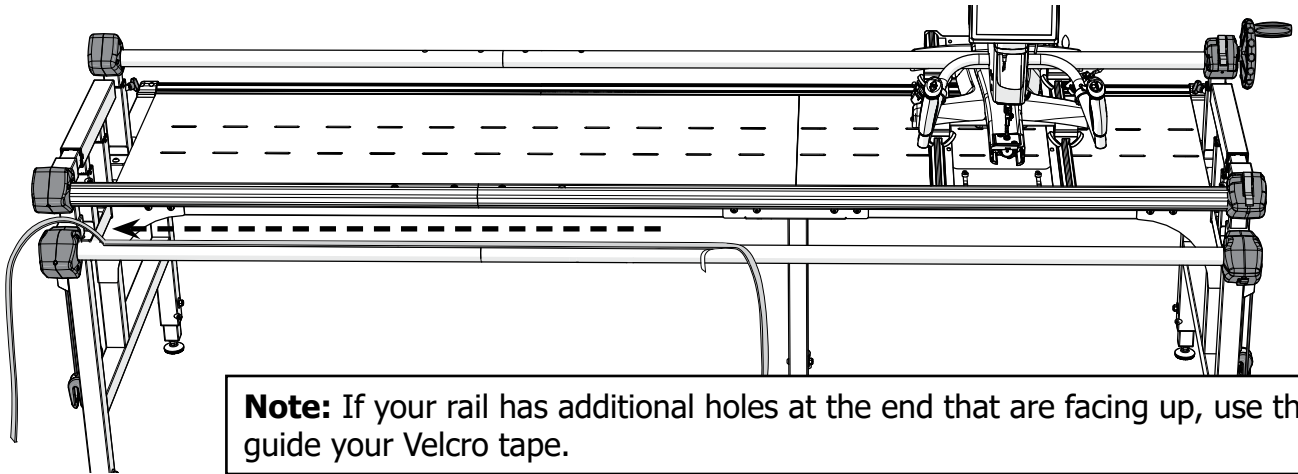
- 2 Unroll one of the **Velcro tape** rolls and fold it in half to find the **center**. Peel back an inch or two of **backing** from the center to expose the adhesive side of the tape.



- 3 Stick the center of the Velcro tape to the center of the **quilt-top rail**. Try to line up the Velcro with the **holes**.

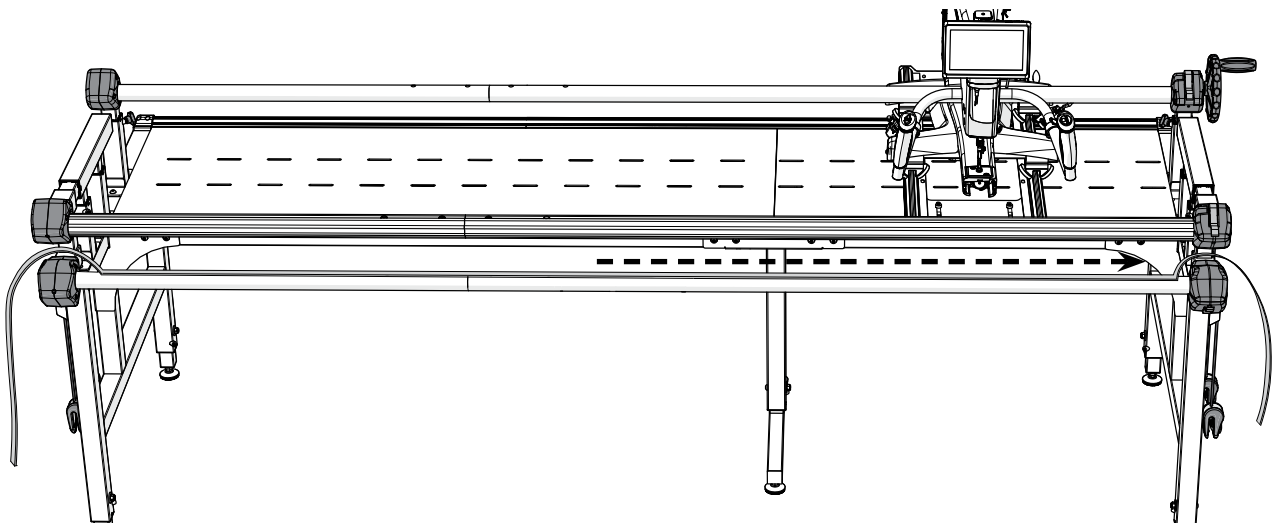


- 4 Work your way to one side of the frame, sticking the Velcro tape down to the rail. Use the holes as guides to place the tape as straight as possible. Only peel off a little of the backing at a time as you go along to keep the tape from sticking where it shouldn't.



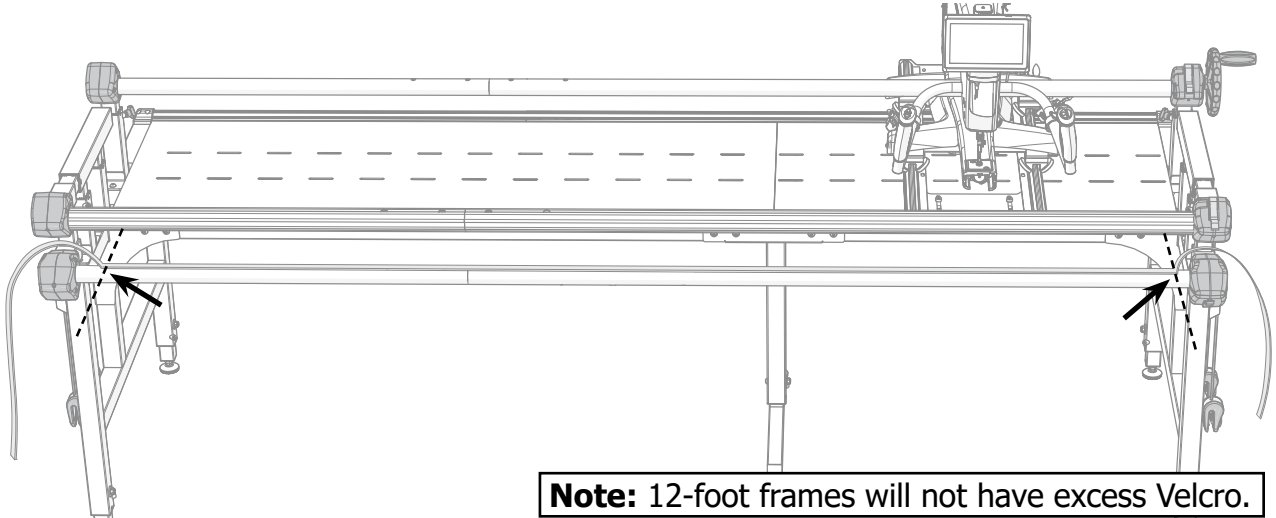
Note: If your rail has additional holes at the end that are facing up, use these to guide your Velcro tape.

- 5 Go back to the center and work your way to the other side of the frame.

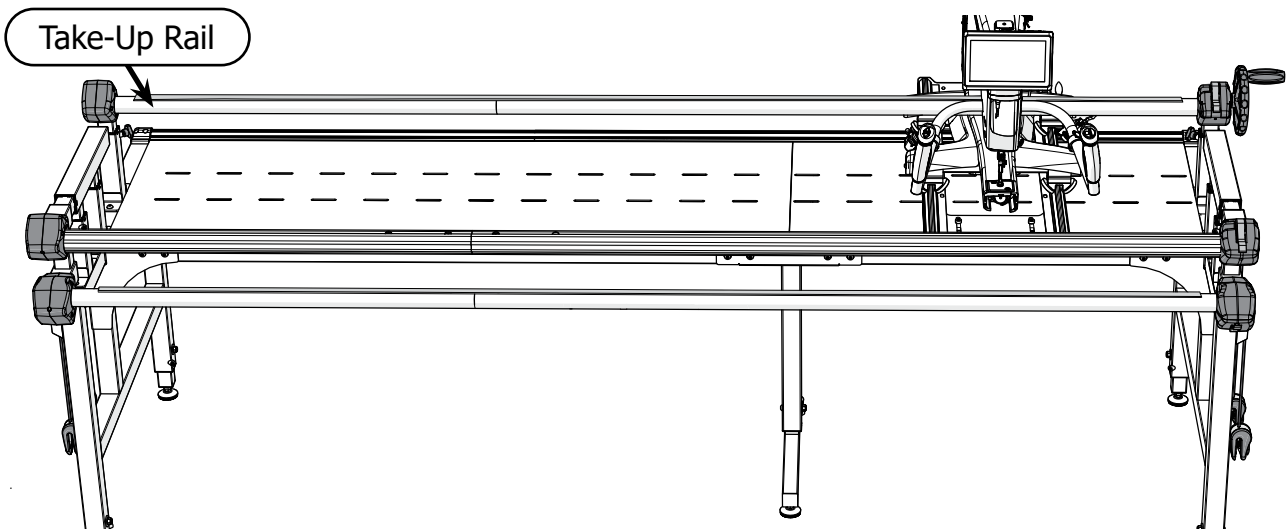


Installing the Velcro (continued)

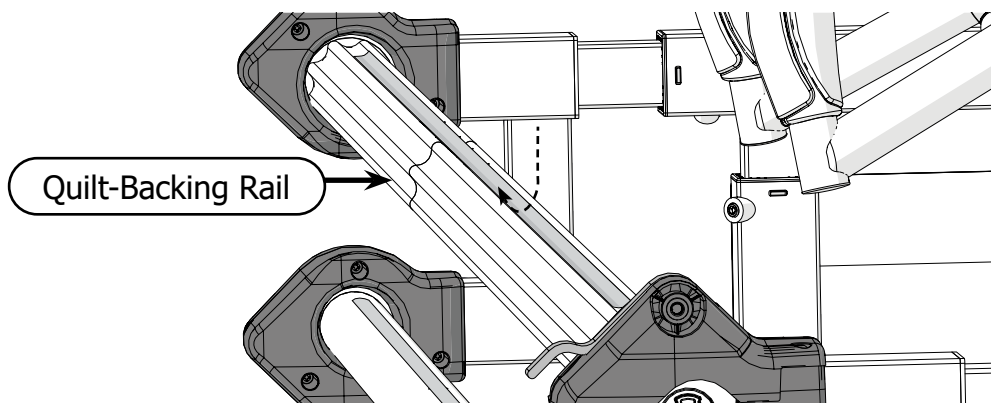
- 6 Trim away and discard the excess Velcro on both sides.



- 7 Repeat steps 2–6 to install the Velcro tape onto the **take-up rail**.



- 8 Repeat steps 2–6 again to install the Velcro tape onto the **quilt-backing rail**. However, if you have a star-shaped rail, place the Velcro tape into the rail's groove. Use the edges of the groove to help keep the Velcro aligned as you go.



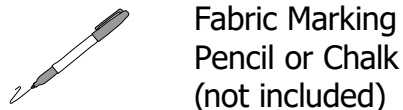
Note: If your rail is smooth rather than star-shaped like the one shown, simply repeat steps 2–6 as before to install the Velcro tape.

- 9 **Result:** Velcro tape is installed on each rail so that the cloth leaders can be attached.

Installing the Cloth Leaders

Note: Your frame may appear different from the one in the illustrations below. The steps are still the same.

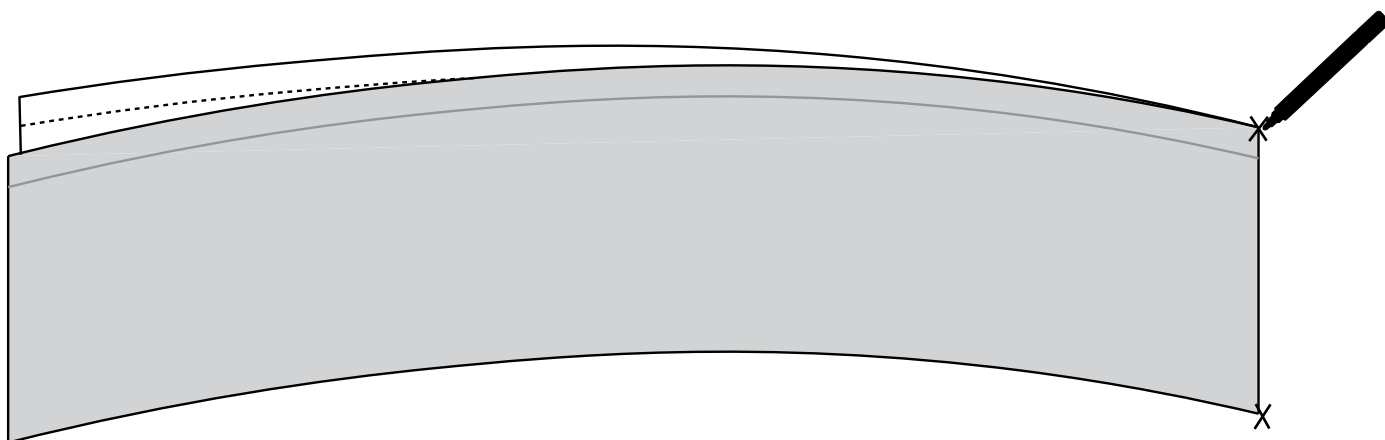
Parts & Tools Needed:



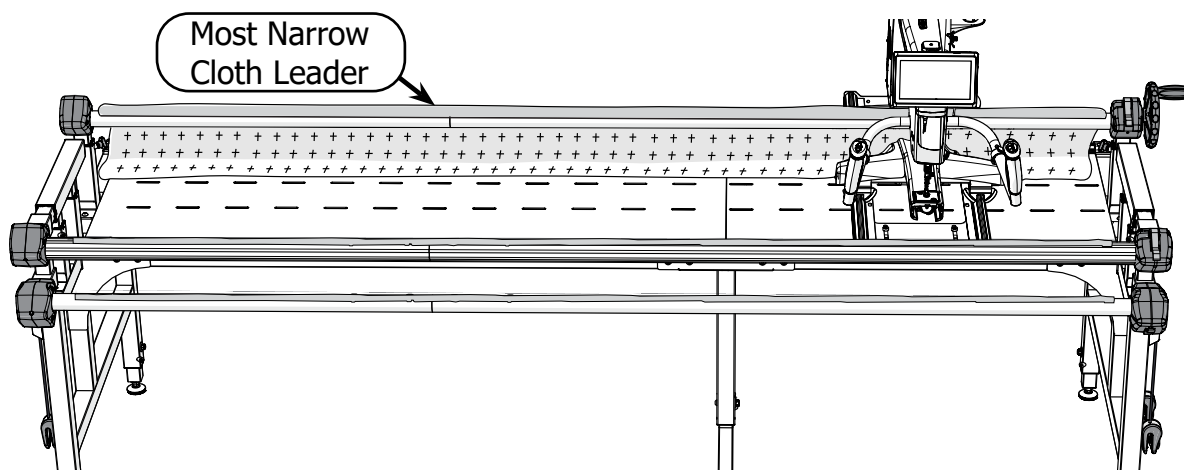
Instructions

The cloth leaders help hold and position your quilt onto the frame. Take the following steps to install the cloth leaders:

- 1 Fold each cloth in half width-wise and mark the center on the front and back, top and bottom.

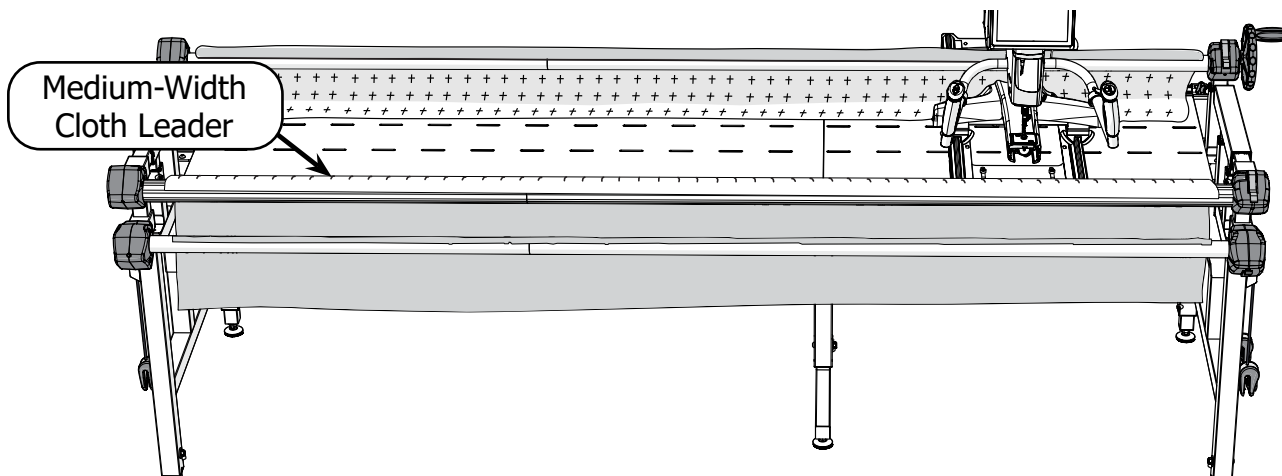


- 2 Attach the Velcro on the **most narrow cloth leader** to the Velcro on the take-up rail so the cloth drapes around the back of the rail. When attaching, start at the center of the rail and work your way outward one side at a time.

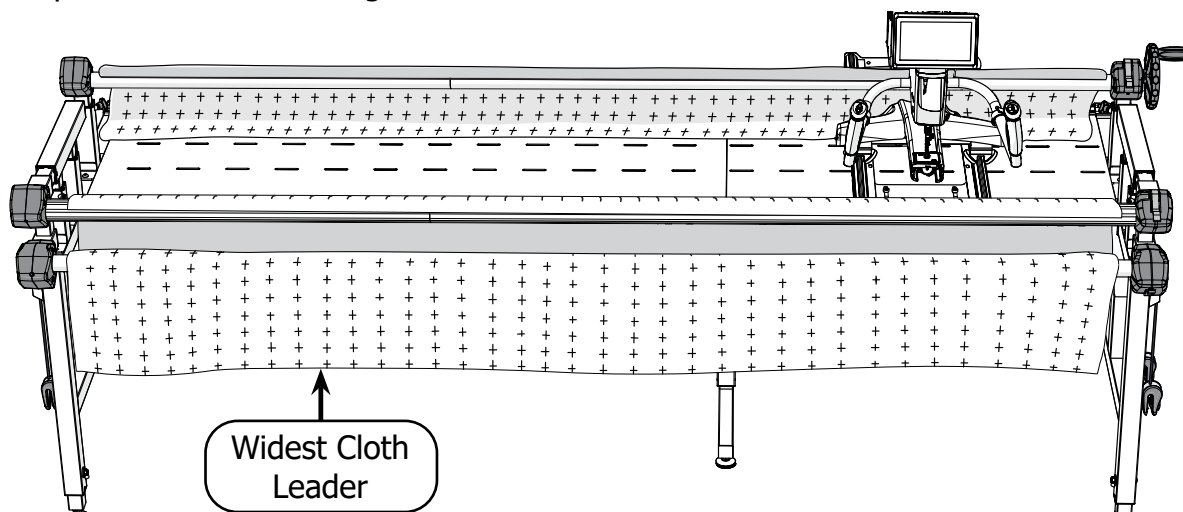


Installing the Cloth Leaders (continued)

- 3 Attach the **medium-width cloth leader** to the quilt-backing rail so the cloth drapes around the back of the rail. When attaching, start at the center of the rail and work your way outward one side at a time.



- 4 Attach the **widest cloth leader** to the quilt-top rail. However, this time drape the cloth leader so the patterned side is facing toward the front.

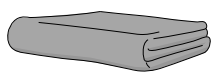


- 5 **Result:** The cloth leaders are installed and the quilt layers can now be attached to the frame.

Attaching Your Quilt to the Frame

Note: Your frame may appear different from the one in the illustrations below. The steps are still the same.

Parts & Tools Needed:



Quilt Top
(not included)



Fabric Marking
Pencil or Chalk
(not included)



Quilt Backing
(not included)



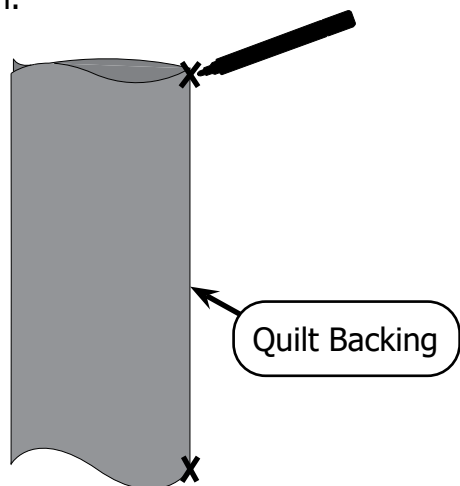
Pins
(not included)



Batting
(not included)

Instructions

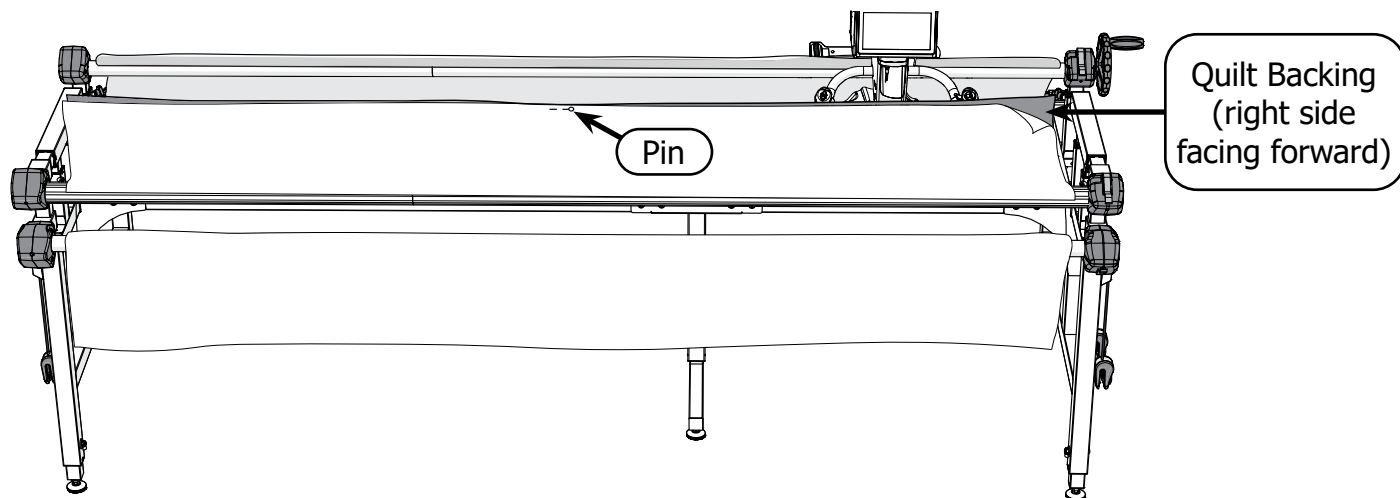
- 1 Fold your **quilt backing** in half to find the center. Mark the centerpoints on the top and bottom.



Right Side/Wrong Side: Some fabrics have a front side that has a print or other qualities that the back side does not have, or may look washed out on the back. The front of the fabric is called the "right side." The side that looks washed out or doesn't have the print/texture is called the "wrong side."

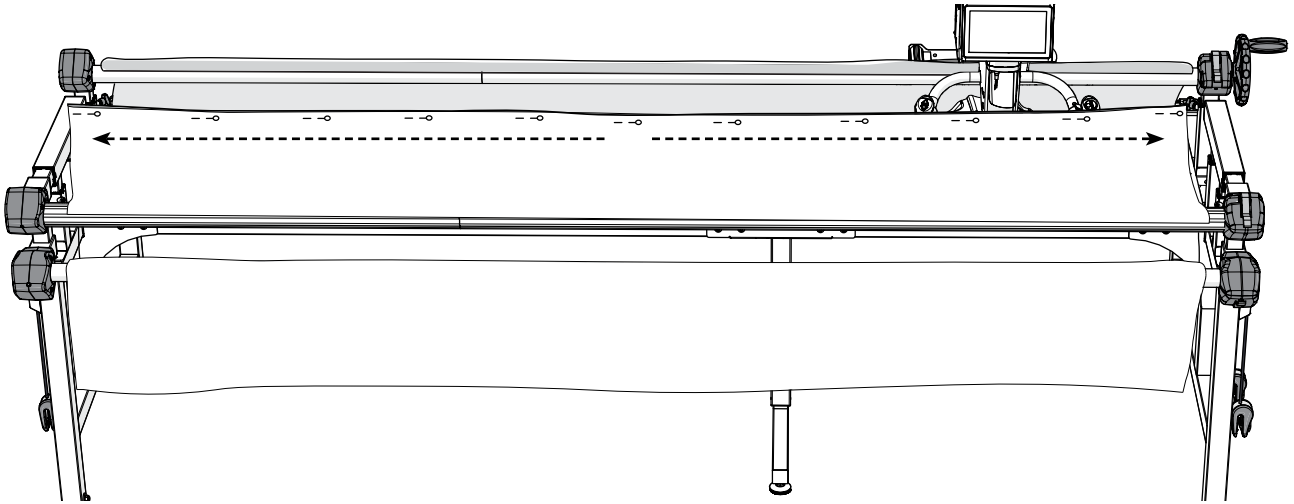
The "right side" of your quilt top will be the side you want to show on the outside of the quilt. This is usually the side without seams.

- 2 **Pin** the bottom centerpoint of your quilt to the bottom centerpoint of the quilt backing rail cloth leader. Pin so the **right side of your backing** faces the wrong side of the cloth leader.

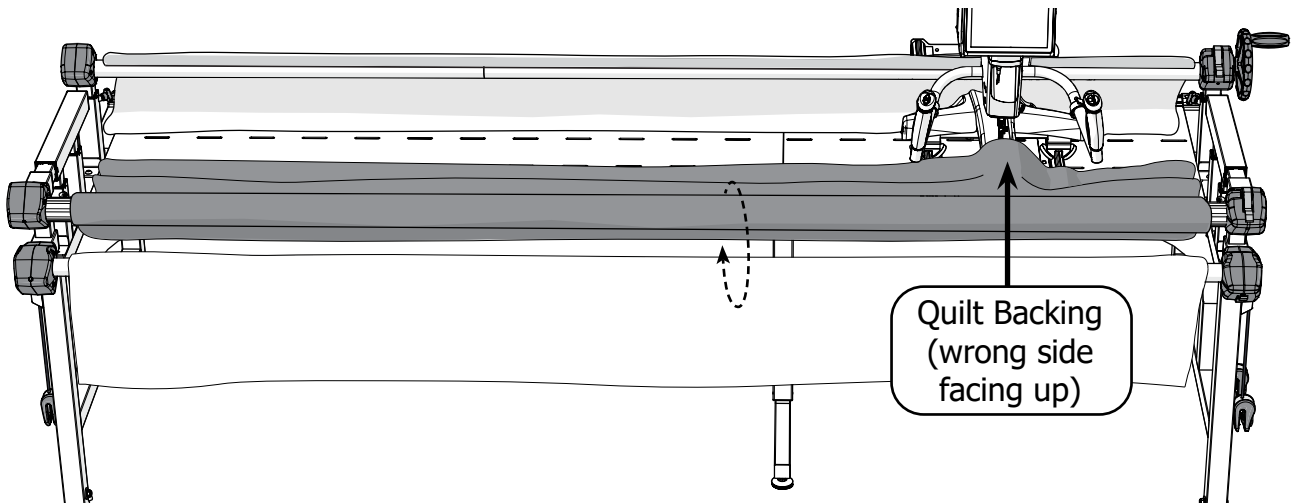


Attaching Your Quilt to the Frame (continued)

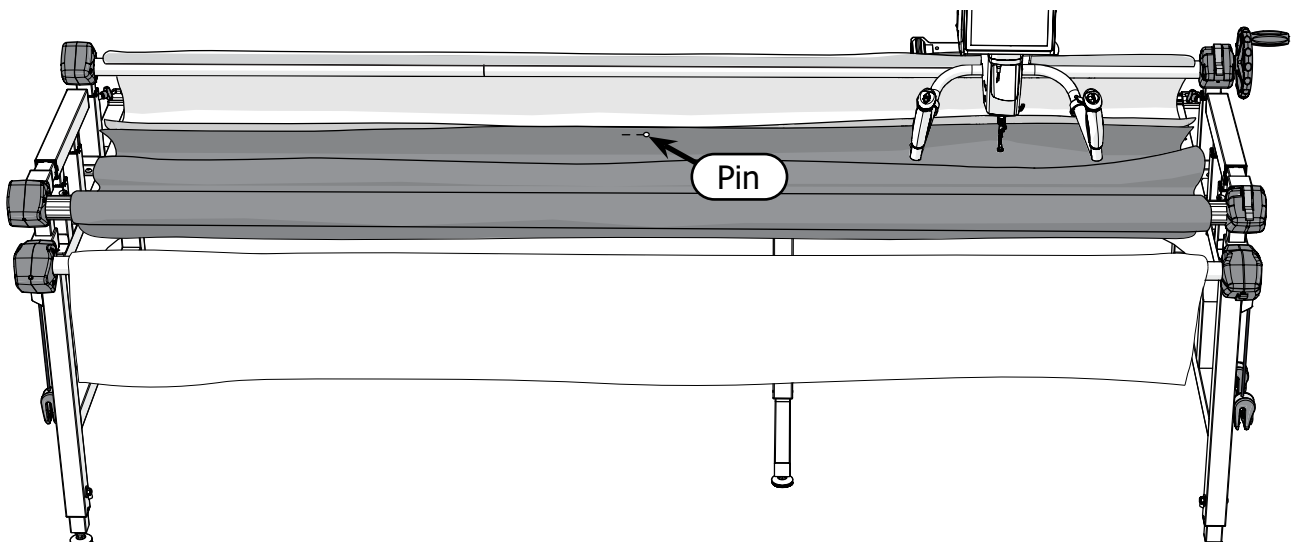
- 3 Pin the edges together from the center out.



- 4 Roll the quilt-backing rail until the leader cloth is no longer visible. If attached correctly, the **wrong side** of the **quilt backing** should be facing up.

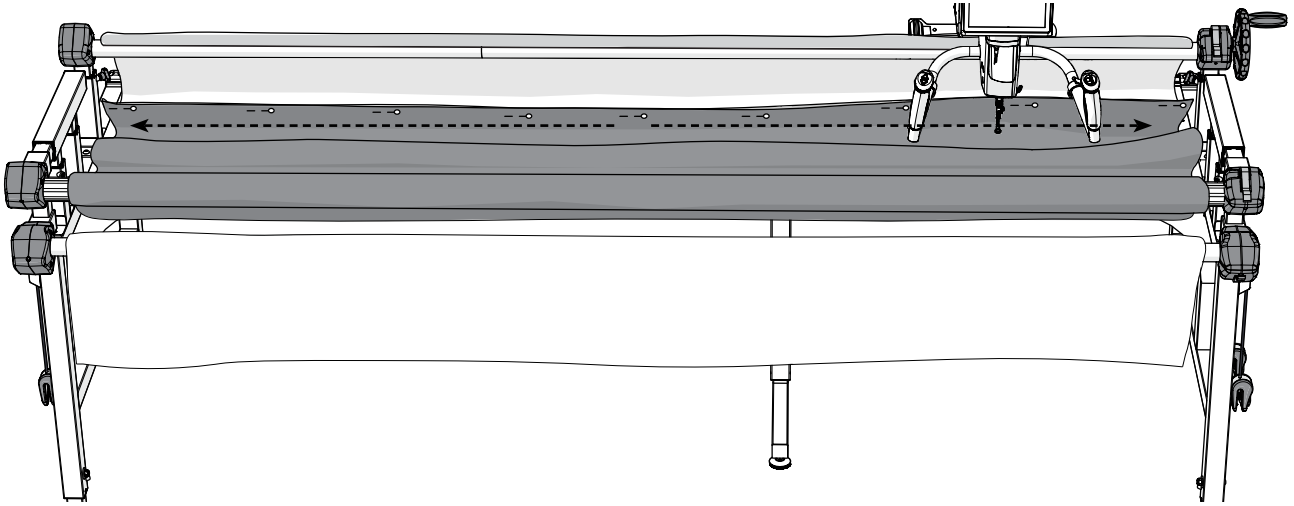


- 5 Pin the top centerpoint of your backing to the centerpoint on the take-up rail cloth leader.

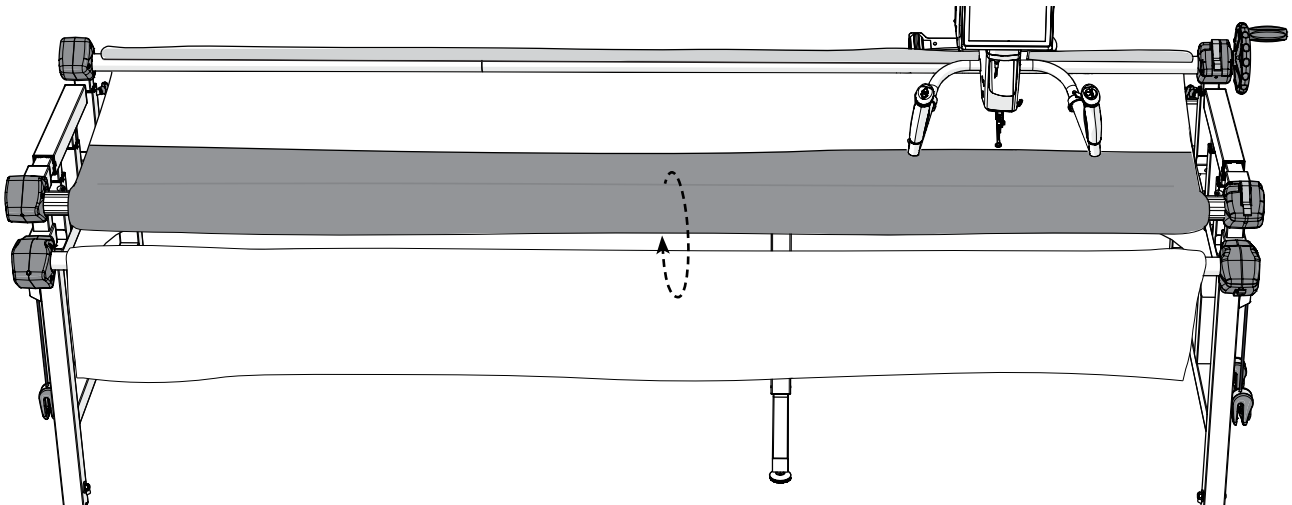


Attaching Your Quilt to the Frame (continued)

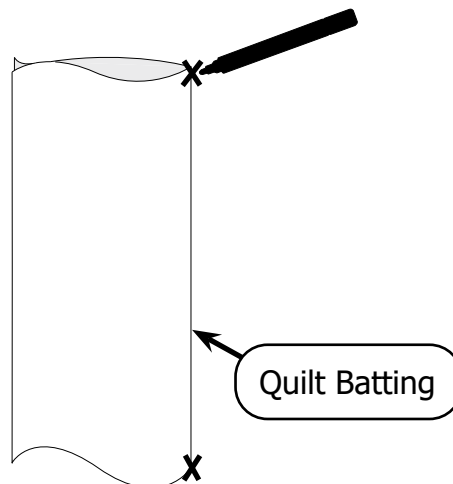
- 6 Work from the center out and pin the edges together. You will need to tuck the backing under the machine foot.



- 7 Roll the quilt-backing rail until the quilt backing is smooth and free of creases.

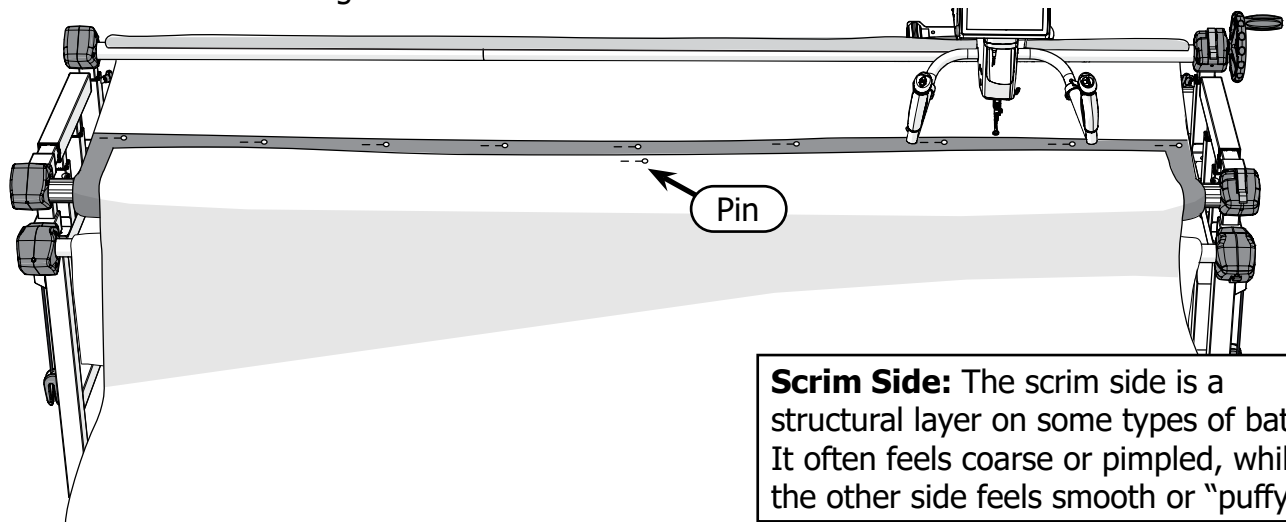


- 8 Fold your **quilt batting** in half to find the center. Mark the centerpoints on the top and bottom.

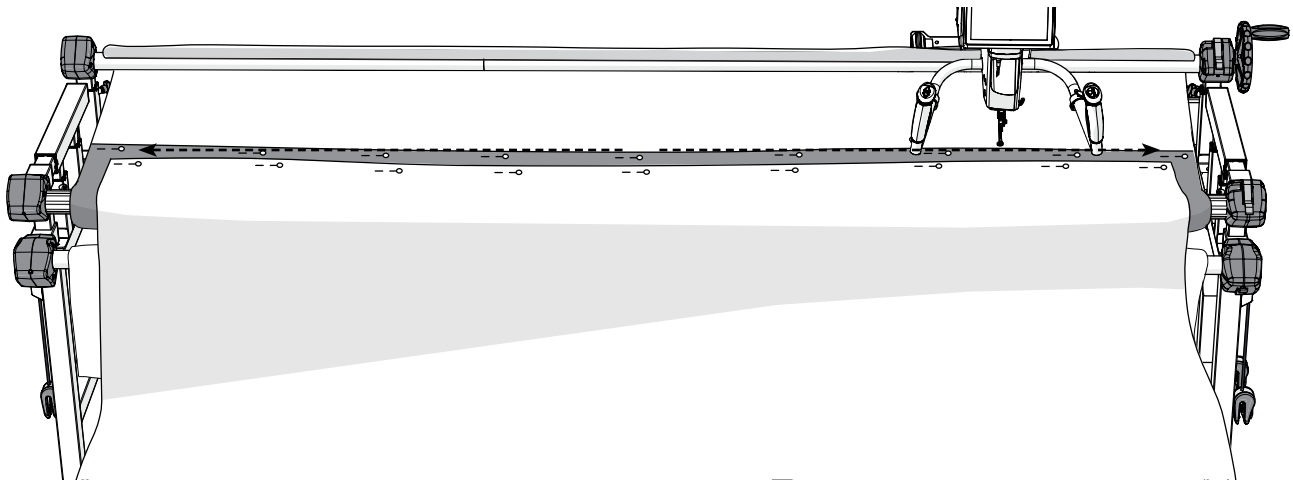


Attaching Your Quilt to the Frame (continued)

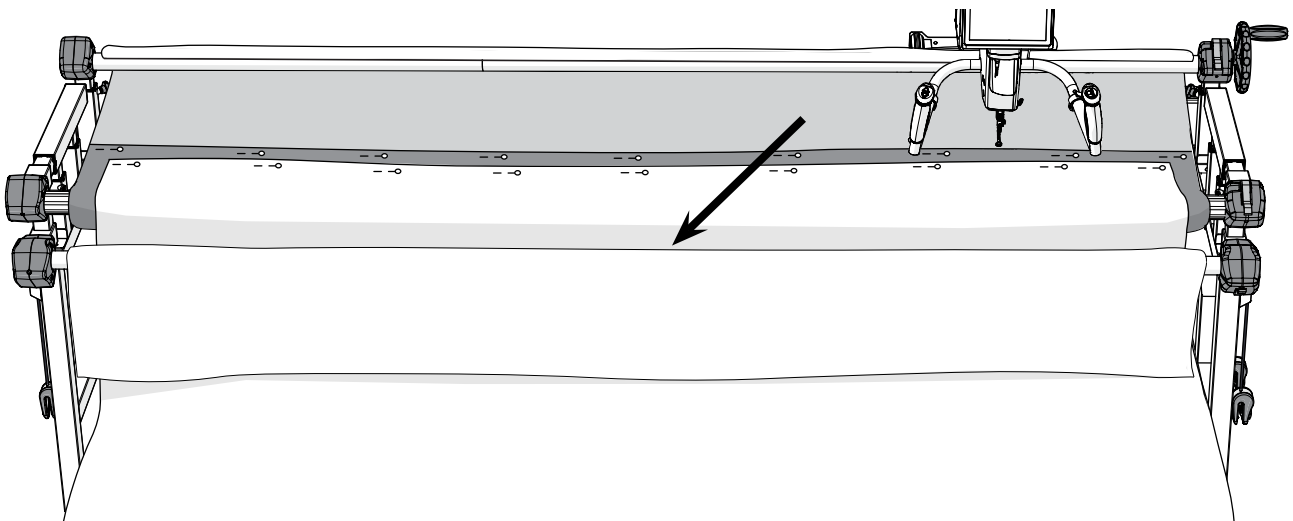
- 9 **Pin** the top centerpoint of your batting about an inch below the top centerpoint of the backing, with the scrim side facing down.



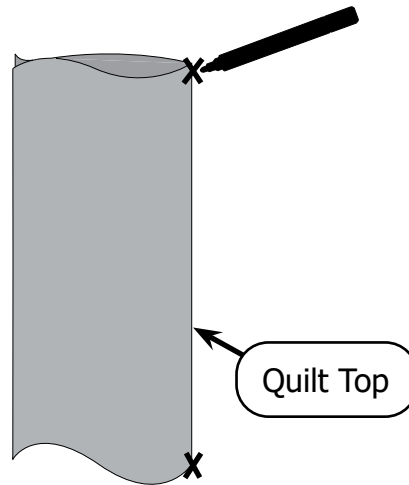
- 10 Working from the center out, pin down the top edge of the batting the rest of the way. Keep the layers as square as you can while you pin.



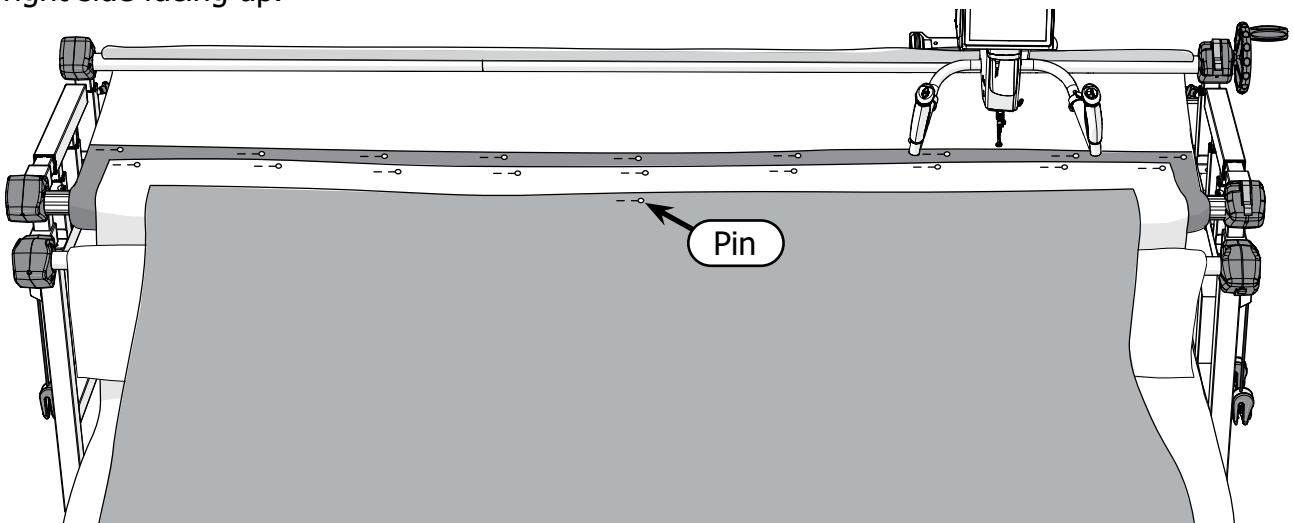
- 11 Tuck the batting between the quilt-backing and quilt-top rails.



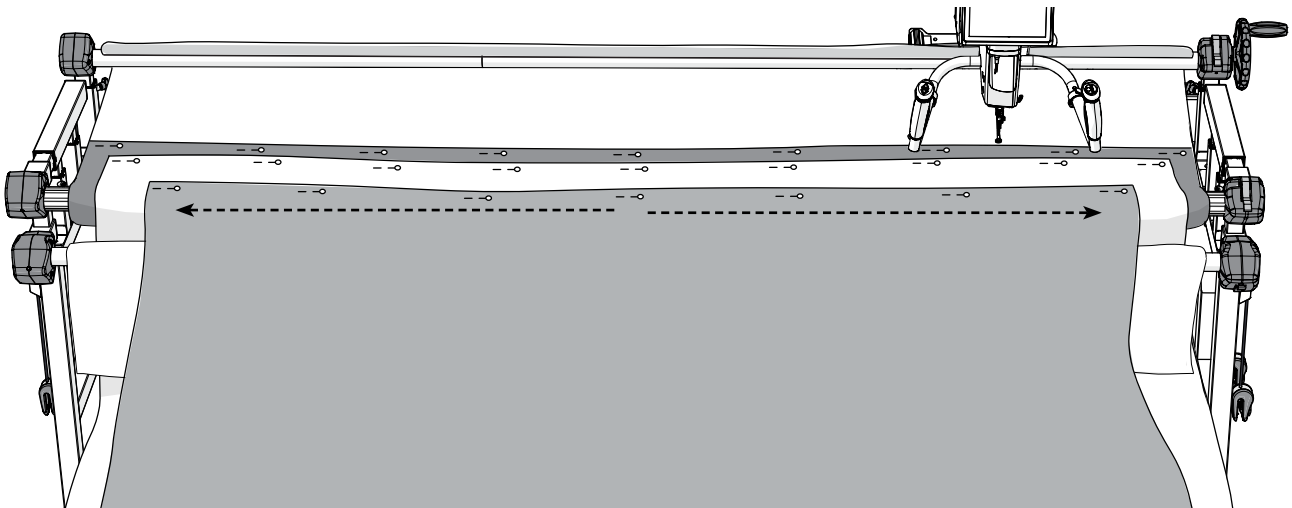
- 12 Fold your **quilt top** in half to find the center. Mark the centerpoints on the top and bottom.



- 13 **Pin** the top centerpoint of your quilt top about an inch below the centerpoint on the batting, right side facing up.

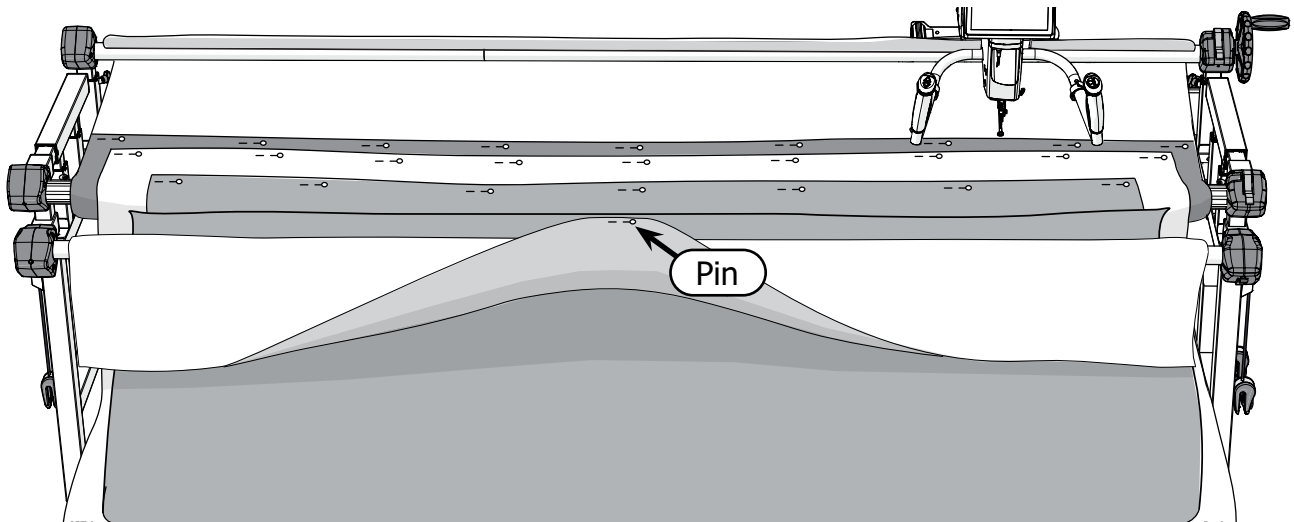


- 14 Pin down the top edge of your quilt top, working from the centerpoint outward. Keep the layers as square as you can while you pin.

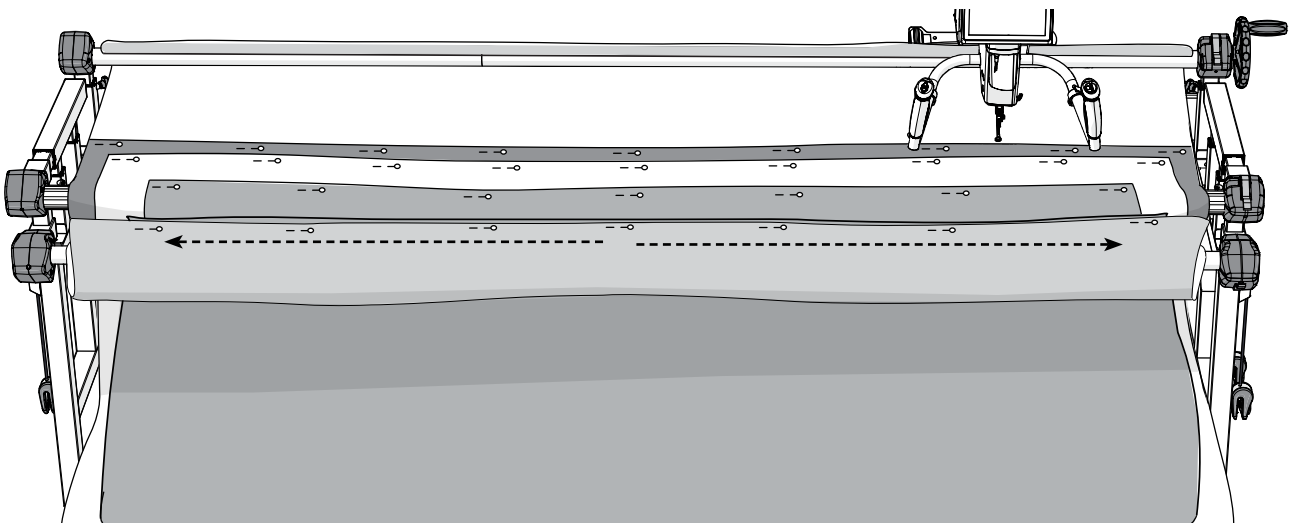


Attaching Your Quilt to the Frame (continued)

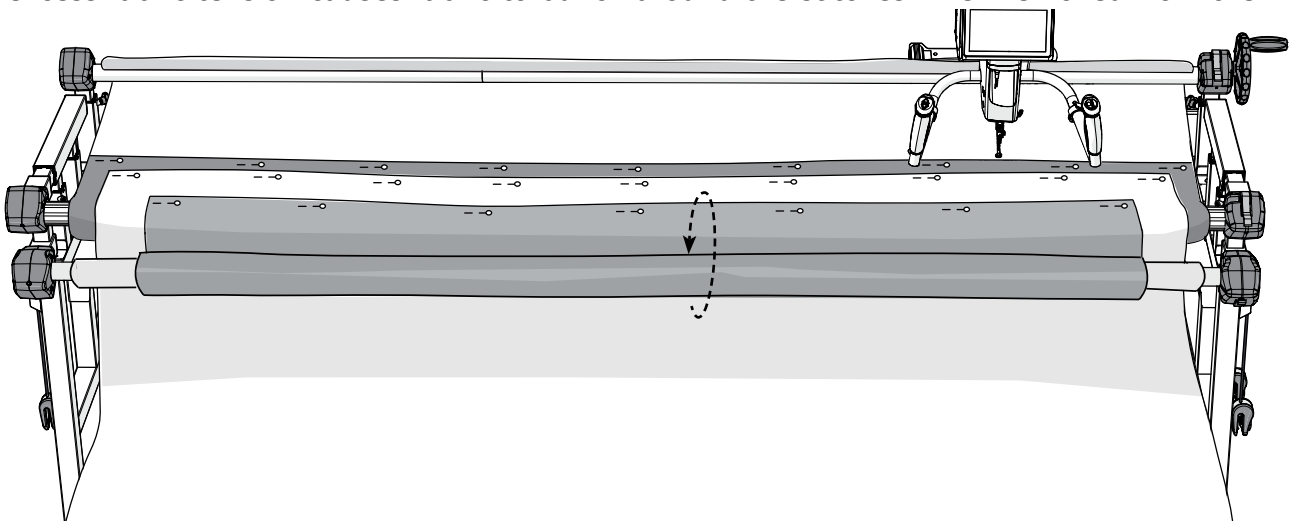
- 15 **Pin** the centerpoint on the bottom of the quilt top to the centerpoint at the bottom of the final cloth leader.



- 16 Pin down the bottom edge of your quilt top to the cloth leader the rest of the way.

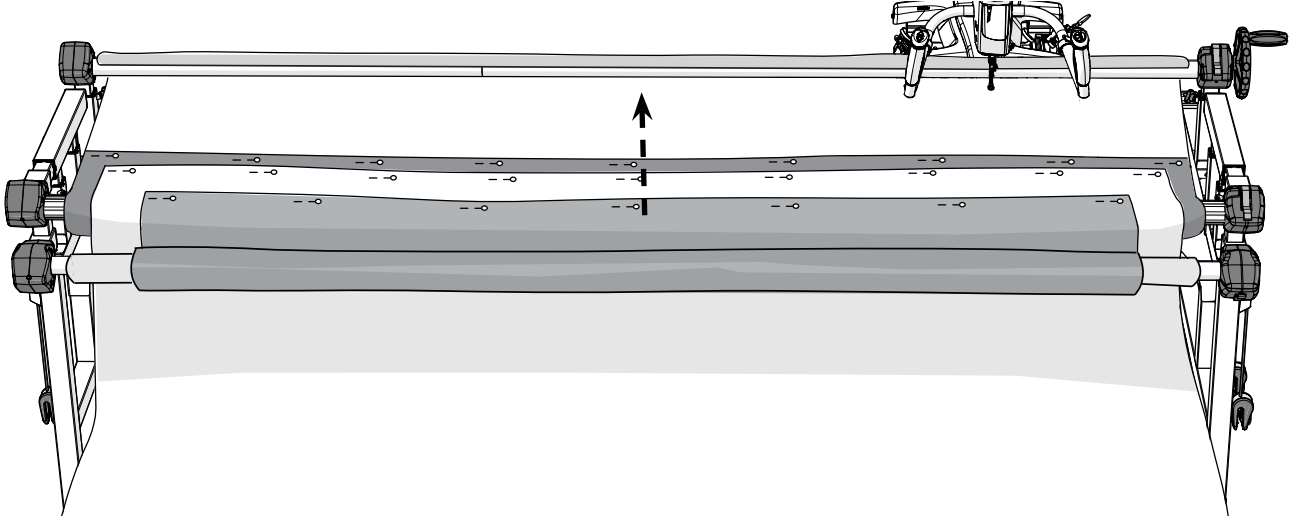


- 17 Roll the quilt-top rail until the quilt top is smooth and free of creases. Do not pull too tight: excess fabric tension causes fabric to bunch around the stitches when removed from the frame.

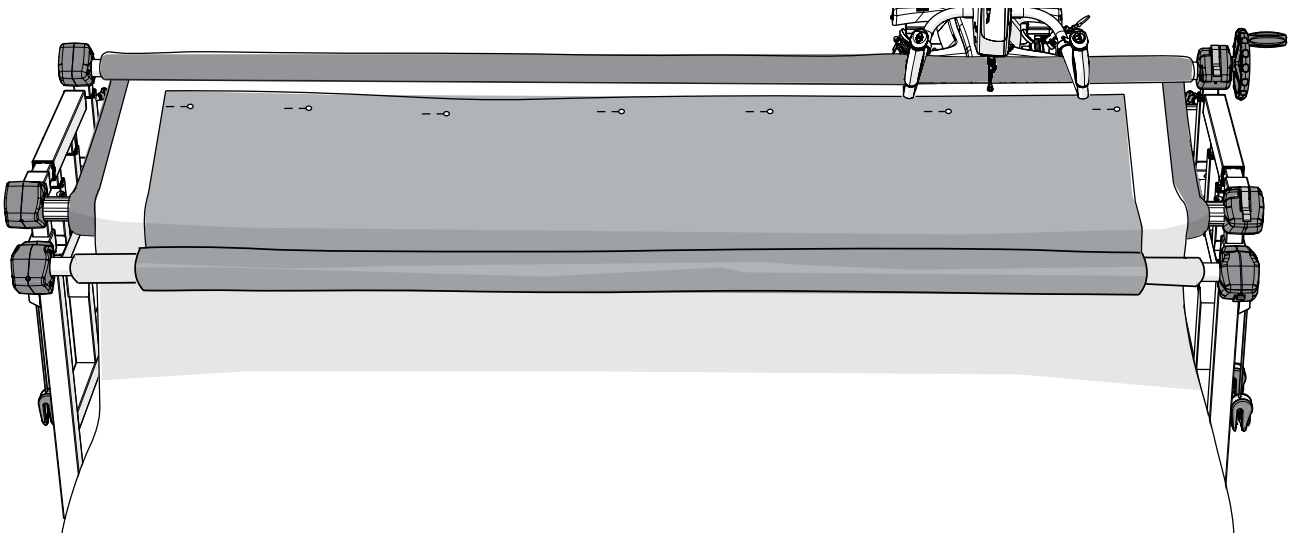


Attaching Your Quilt to the Frame (continued)

- 18 Now that your fabric is installed, roll your quilt to the place you would like to start, as usual. See your frame's instruction manual for details on moving the fabric.



- 19 **Result:** The fabric has been installed onto your frame and is ready for quilting.



Grace
COMPANY

www.graceframe.com

1-801-485-6688