

Luminess 10 ft / 5 ft Assembly Instructions

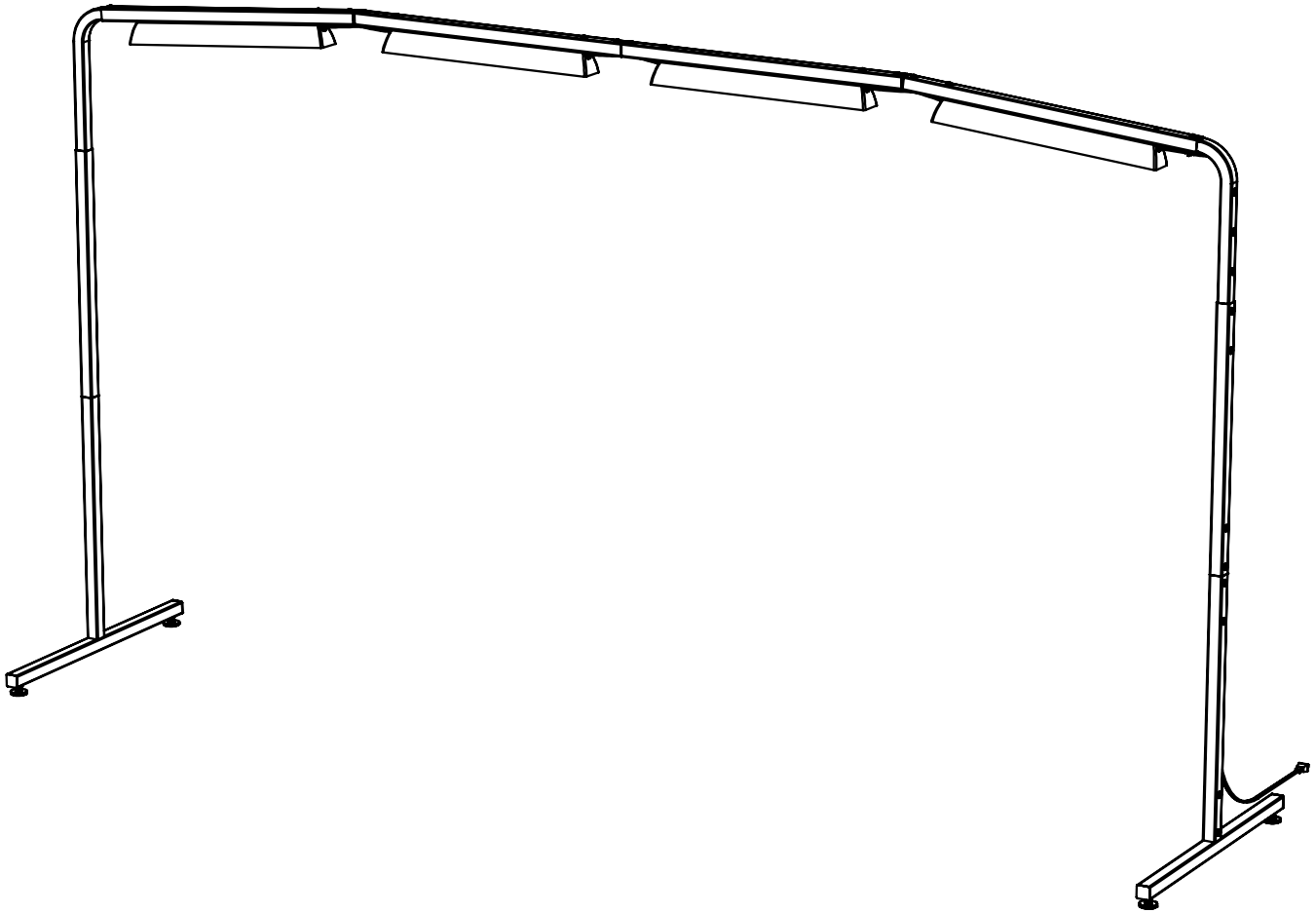


Table of Contents	
Warranty	2
Tools	3
Components	3
Hardware Components	3
10 ft Main Body Section	4
10 ft Fastening Section	5
10 ft Cable Connection Section	5
5 ft Main Body Section	6
5 ft Fastening Section	7
5 ft Cable Connection Section	7
Cable Management	8
Appendix A	8

Warranty

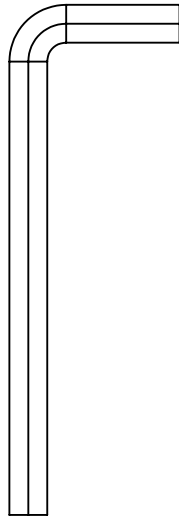
Warranty Information for your Luminess Light Bar

The Luminess Light Bar has a One-Year limited warranty on all parts. The Grace Company will repair or replace, at its discretion, any part with problems due to our manufacturing, or defects in materials. This warranty does not cover parts damaged through misuse, improper storage, improper assembly, loss, natural events, and willful destruction. Parts must be returned to the Grace Company, shipping prepaid, before we can repair or replace them. We will promptly return the repaired/replaced part at our expense if done within a year of the purchase date.



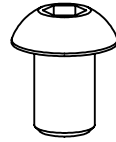
See Appendix for Part and Assembly Number References.

Tools

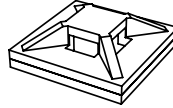


03-10741
1x

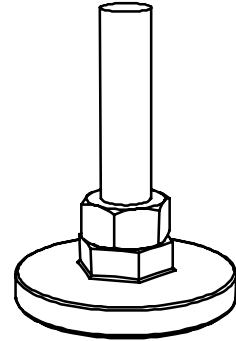
Hardware Components



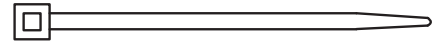
03-11054
30x



08-10805
4x

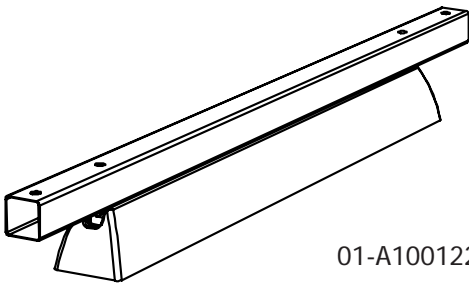


03-10672
4x

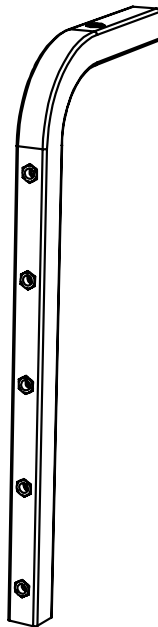


08-10804
4x

Components



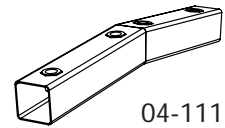
01-A100122
4x



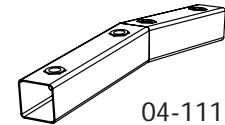
04-11121
2x



04-11124
4x

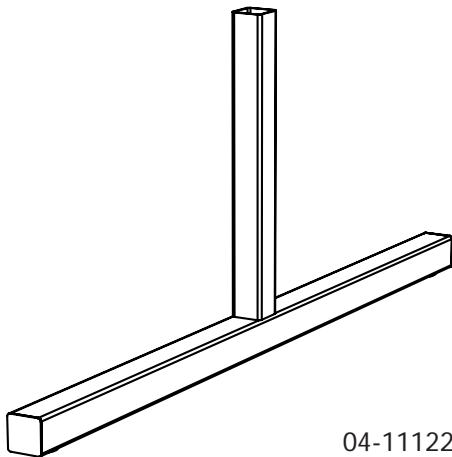


04-11118
2x

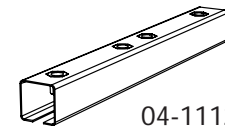


04-11119
1x

Note: Part 04-11119 has a sharper angle. (5 ft use only)



04-11122
2x

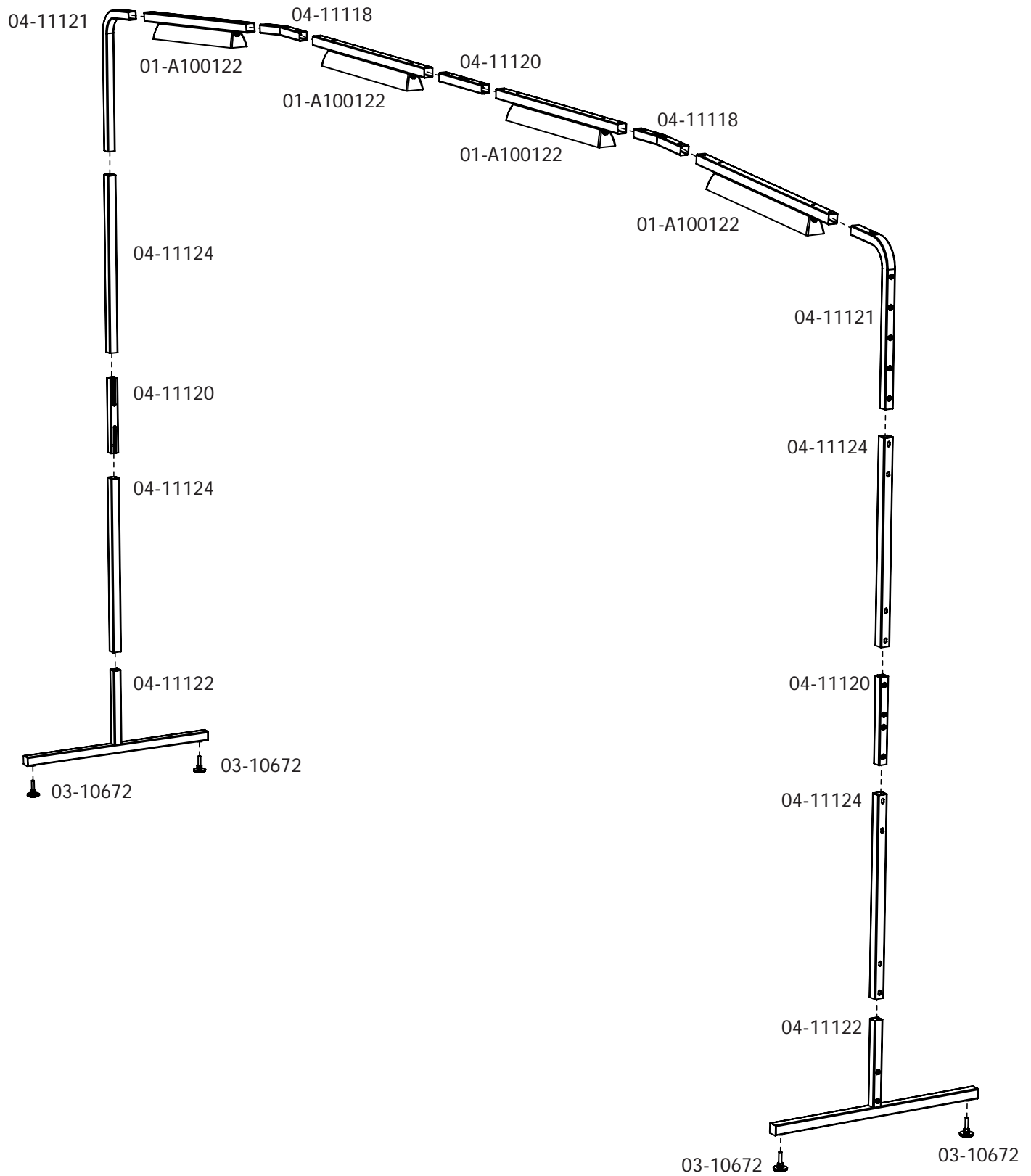


04-11120
3x

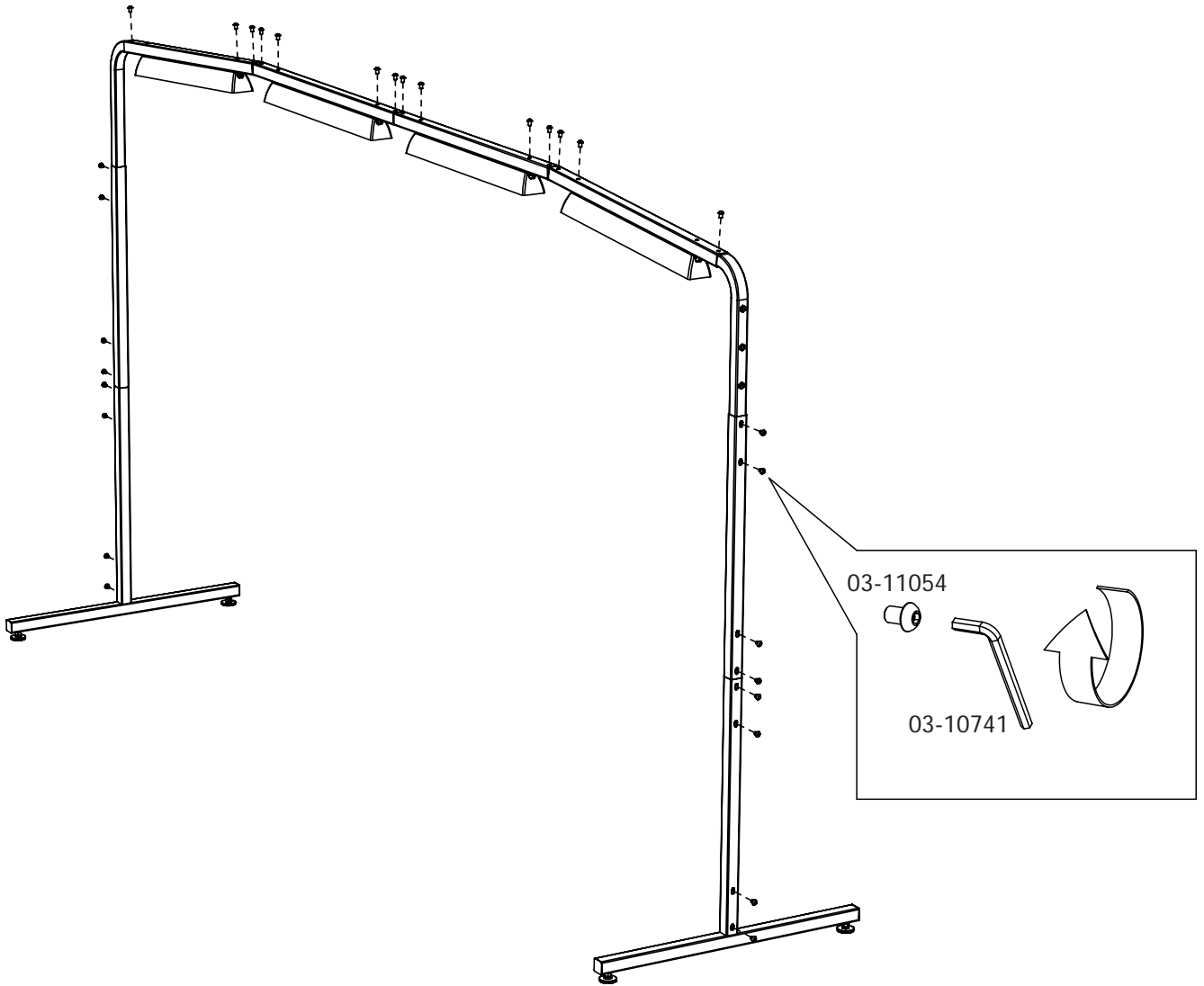
Included But Not Shown: 3x Connecting Cable End (01-A100114), Power Connecting Cable End (02-10211)

10 ft Main Body Section

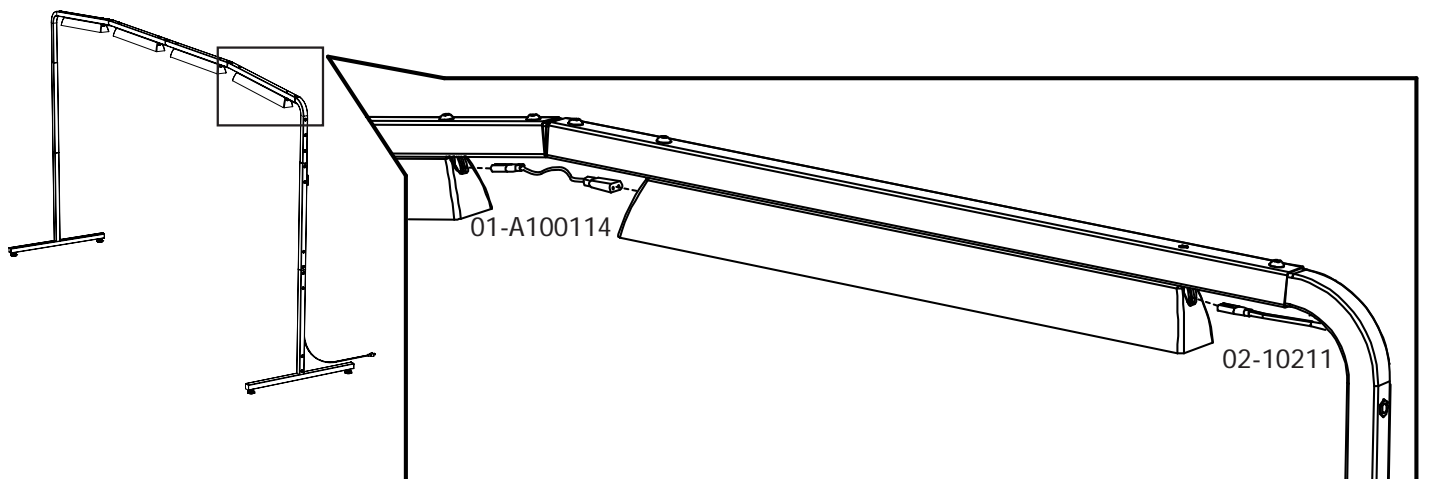
Note: Use a combination of Main Body and Fastening Section to assemble.



10 ft Fastening Section

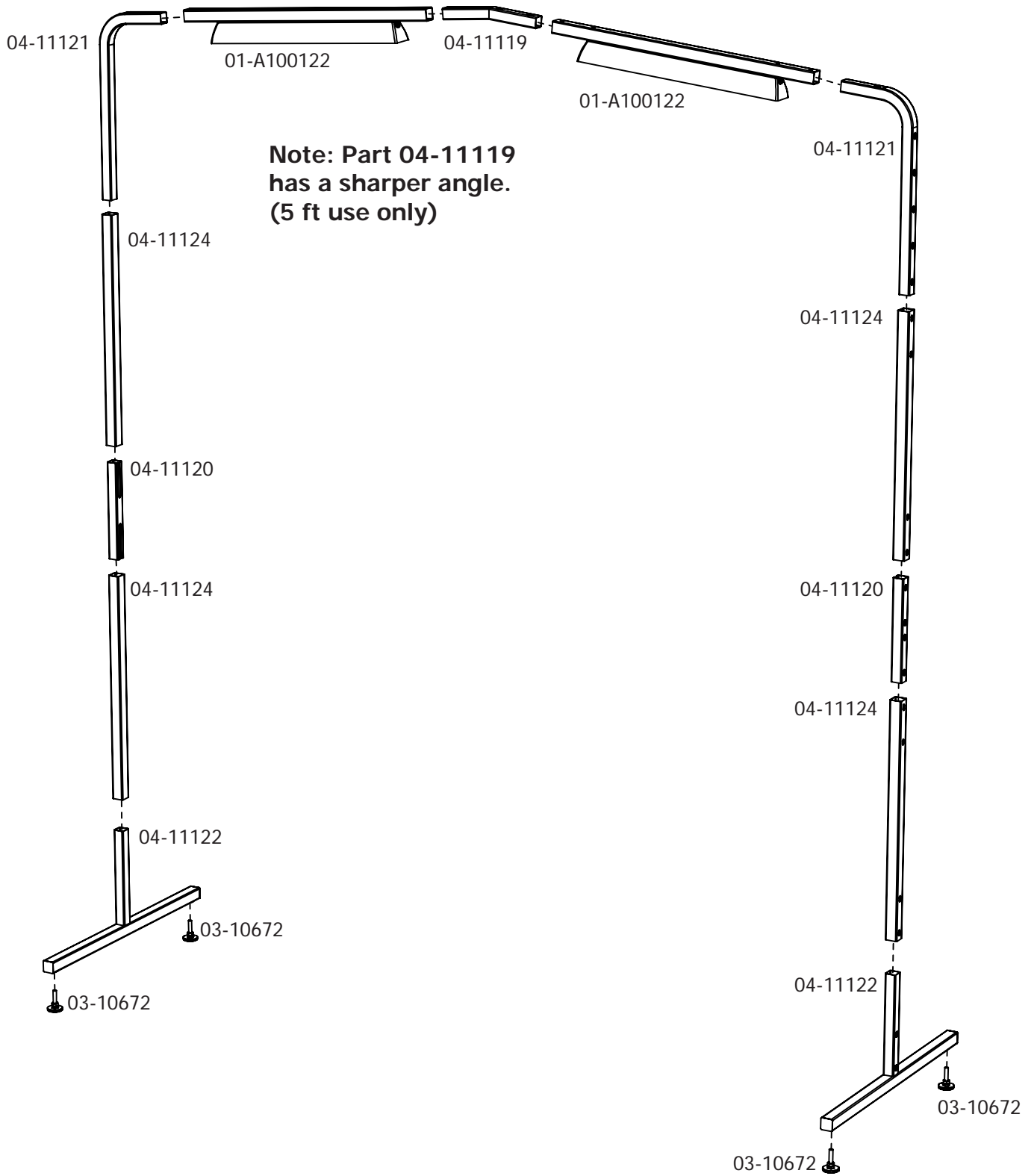


10 ft Cable Connection Section

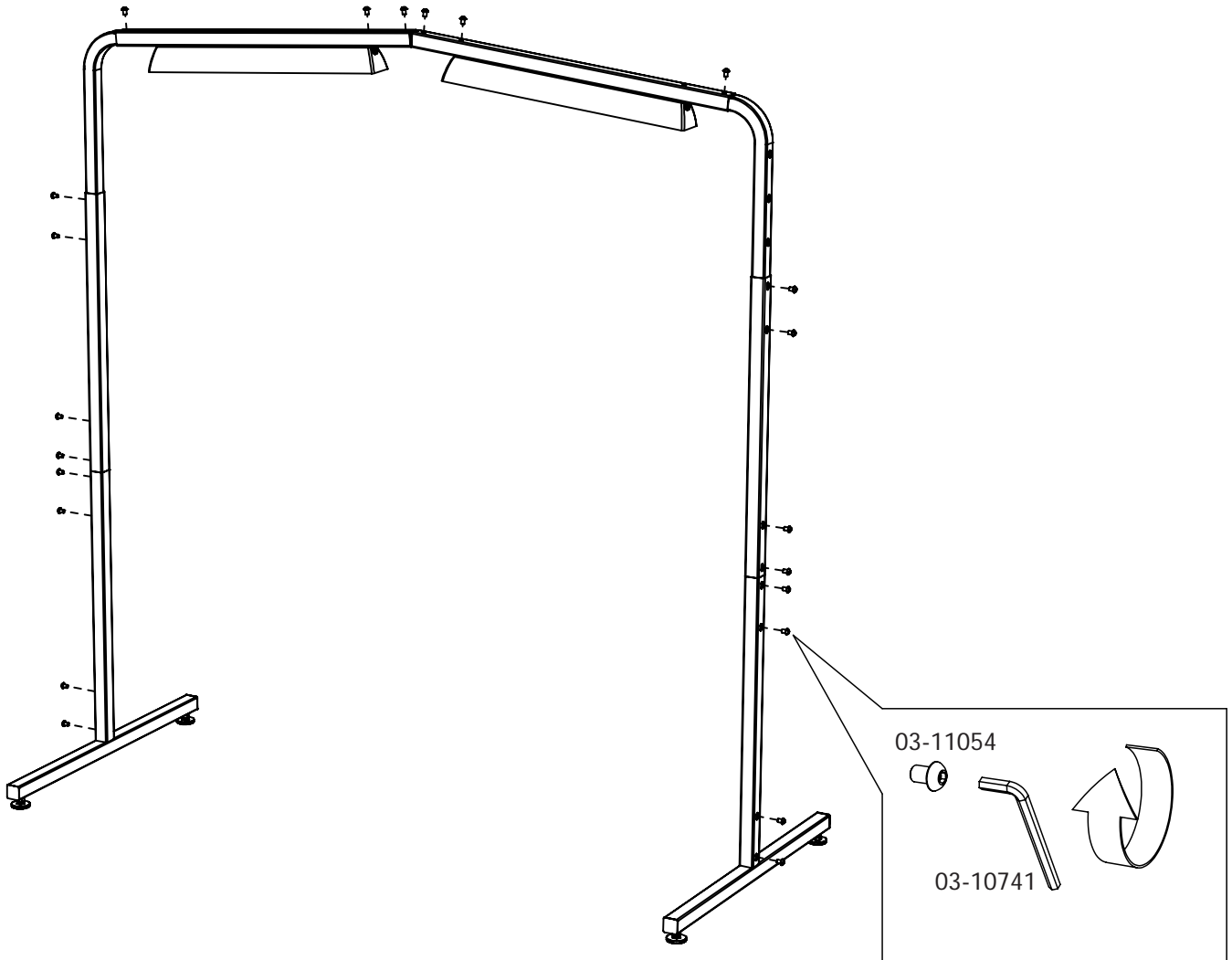


5 ft Main Body Section

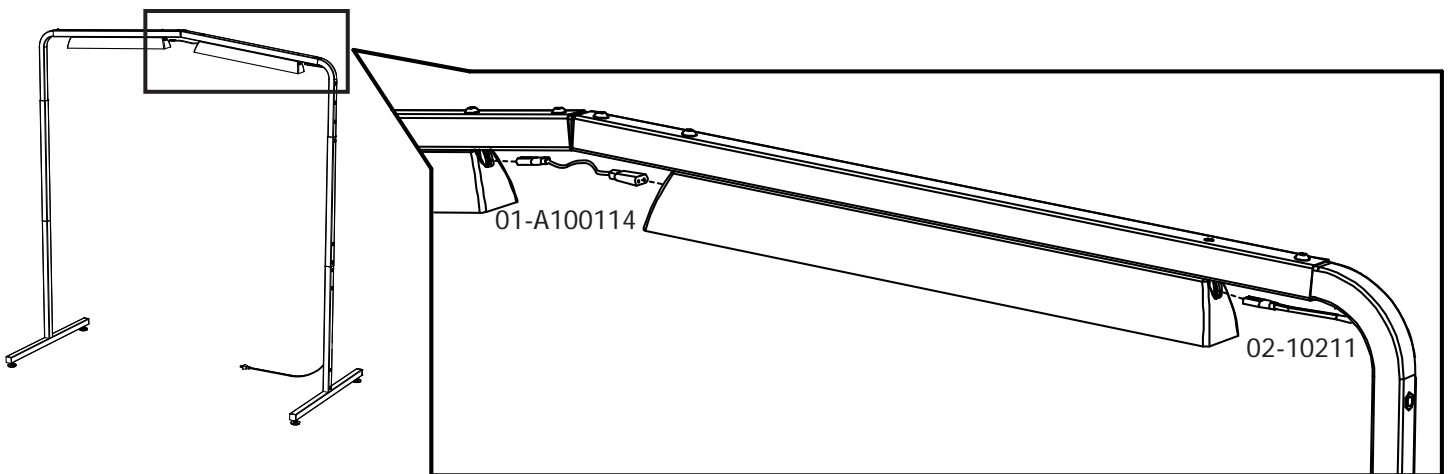
Note: Use a combination of Main Body and Fastening Section to assemble.



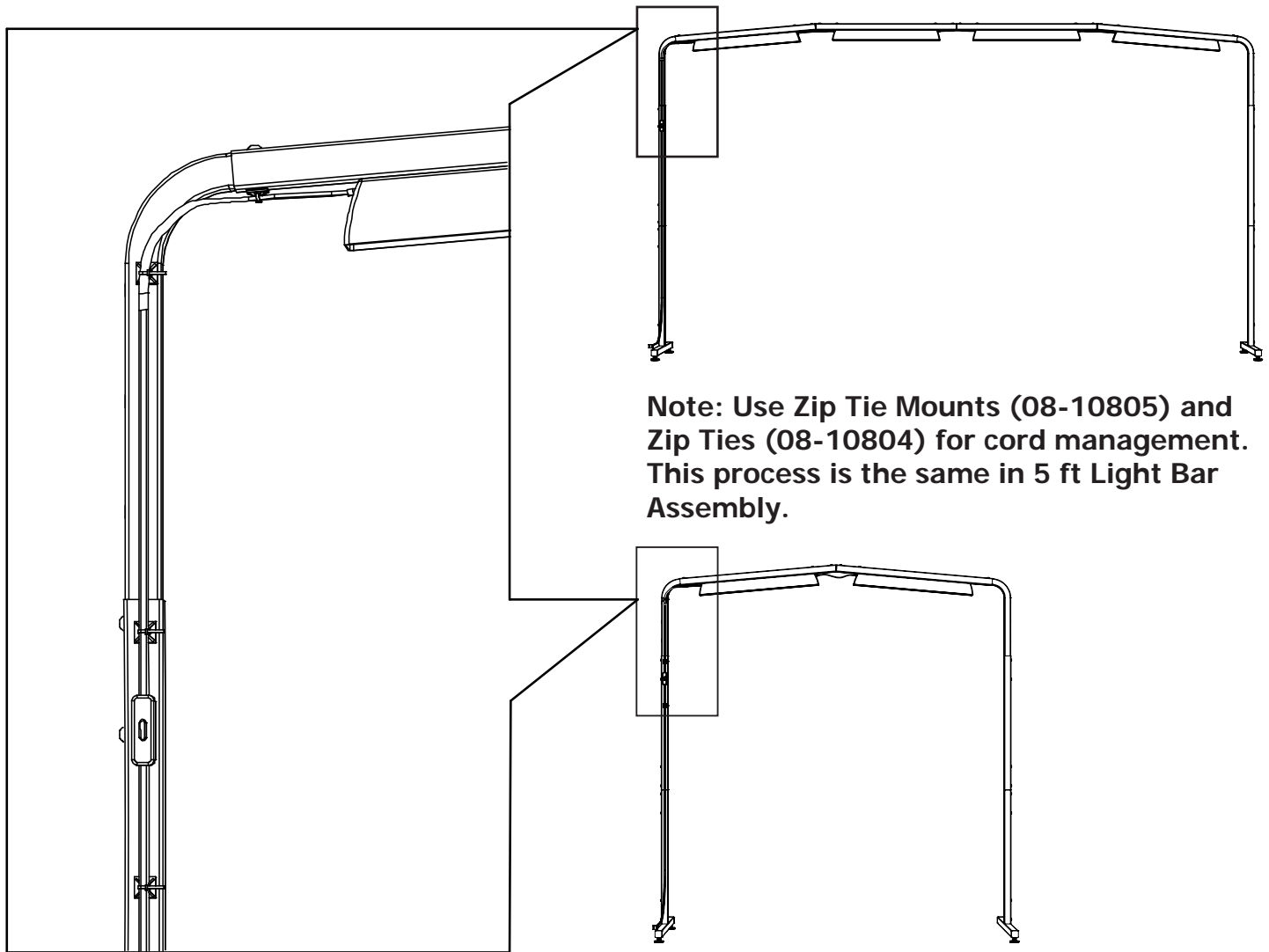
5 ft Fastening Section



5 ft Cable Connection Section



Cable Management



Appendix A

Part Number	Description	Assembly Number	Description
03-10741	5mm Allen Wrench	03-10672	M10 Leveling Foot Assembly
03-10166	3mm Allen Wrench	01-A100122	Light Bar Section 1 Assembly
03-11054	M8 x 12mm SBHCS		
08-10805	Zip Tie Mount		
08-10804	Zip Tie		
04-11118	Light Bar 10 ft Angle Coupler		
04-11119	Light Bar 5 ft Angle Coupler		
04-11124	Stand Tube		
04-11122	Light Bar Leg Section		
04-11120	Light Bar Straight Coupler		
04-11121	Light Bar Corner Coupler		
01-A100114	Connecting Cable End		
02-10211	Power Connecting Cable End		