

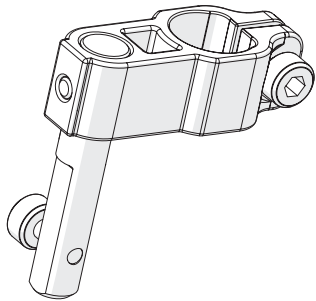


Q'nique21 Machine Presser Foot Collar Instructions

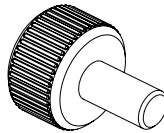
Use:

The Presser Foot Collar can be used to quickly swap between a variety of foot accessories foot your machine.

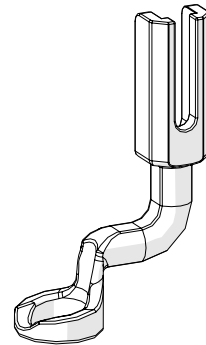
Parts List:



Presser Foot Collar SM21
SMP-09-14524



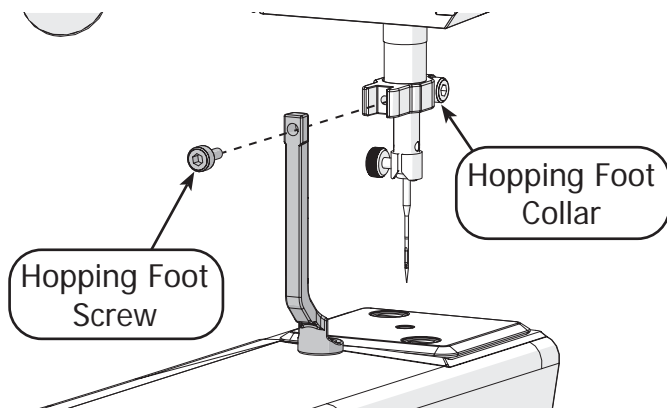
SHCS M3 x 8 mm
HDW-03-10966
(Preinstalled)



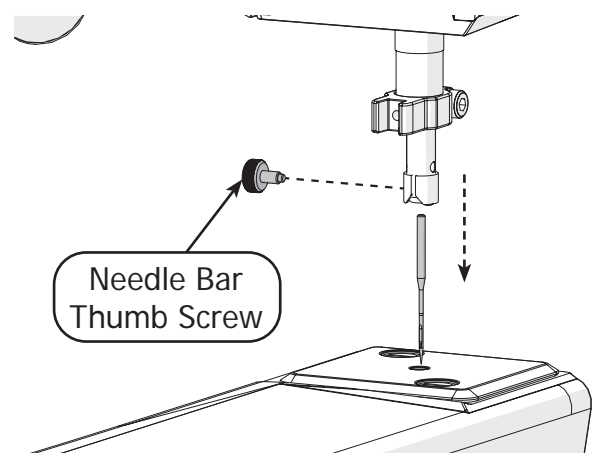
Standard Hopping Foot
SMP-04-10057

Installation Instructions:

- 1 Use a 3 mm Allen wrench to remove the **screw** attaching the hopping foot to the **hopping foot collar** on your machine.

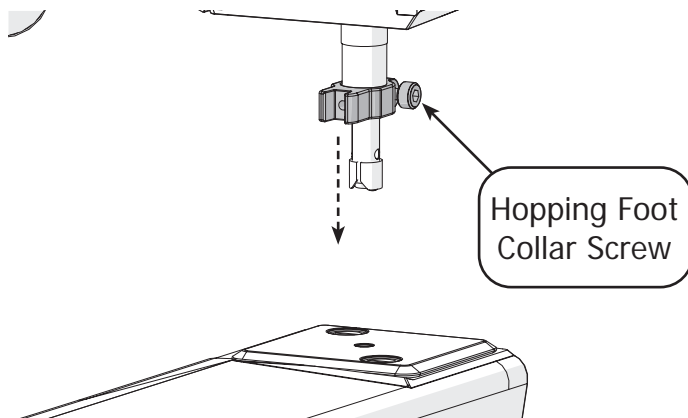


- 2 Remove the **needle bar thumb screw** and carefully pull out the needle.

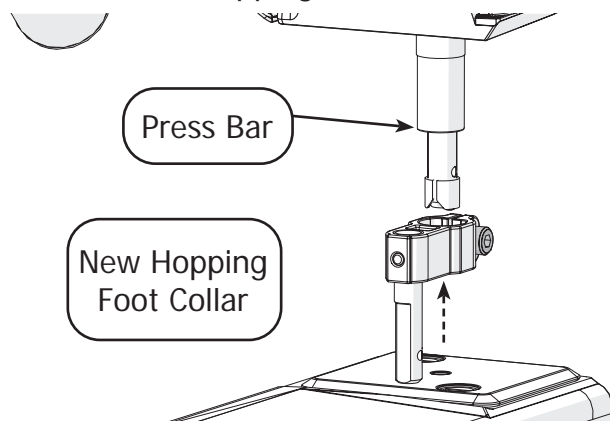


Installation Instructions Continued:

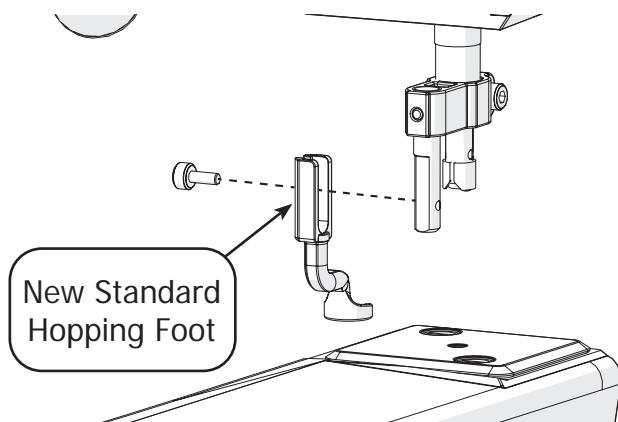
- ③ With a 3 mm Allen wrench, loosen the **hopping foot collar screw** just enough so that the collar can be pulled off the machine.



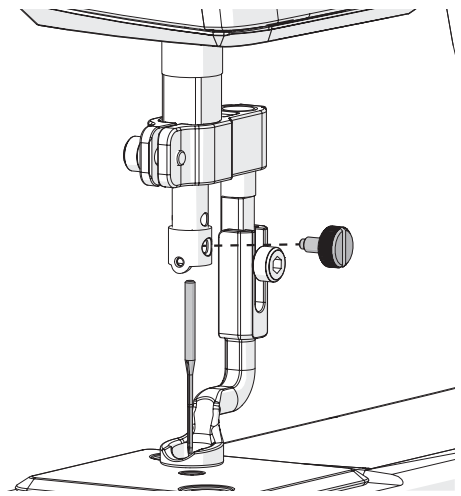
- ④ Slide the **new hopping foot collar** that came with this kit onto the press bar. Make sure the bottom of the collar is even with the bottom of the **press bar**. Hold in place with the hopping foot collar screw.



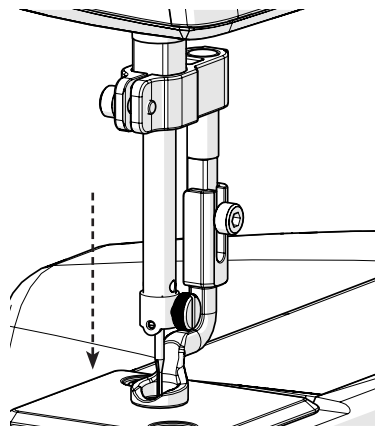
- ⑤ Place the **new standard hopping foot** onto the hopping foot collar bar. Attach with a hopping foot screw loosely enough that the hopping foot can slide up and down.



- ⑥ Reinstall your machine's needle and needle thumb screw (see your machine manuals for details).



- ⑦ Slowly lower your needle to the lowest position.



- ⑧ Slide the **hopping foot height tool** under the hopping foot, fitting the groove around the needle. Tighten the hopping foot screw with a 3 mm Allen wrench.

