



# INSTRUCTION MANUAL

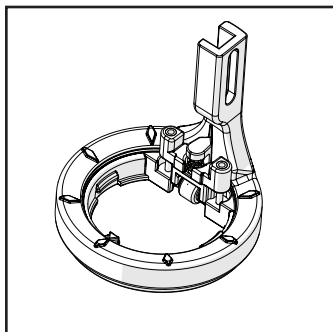
Copyright November 5, 2021  
Grace Company  
(Reproduction Prohibited)  
Version 1.2

Q'nique<sup>15</sup>

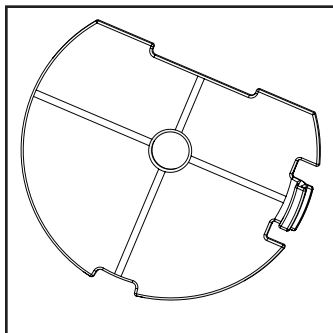
## Contents

Parts & Tools .....	2
Lens Swapping Instructions .....	5
Foot Installation Instructions.....	6

## Parts & Tools

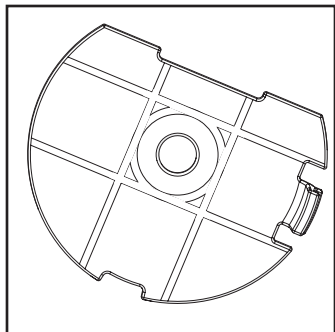


**Wonderfoot**  
(ACC-09-15216)



**LENS A - Stitch In the Ditch**  
(ACC-05-15206)

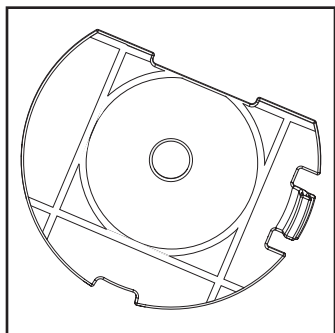
- Trace seams and lines



### **LENS B - 1/4" Offset**

(ACC-05-15208)

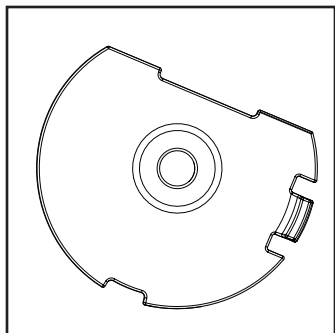
- Echoing and offset lines



### **LENS C - 3/8" Offset**

(ACC-05-15207)

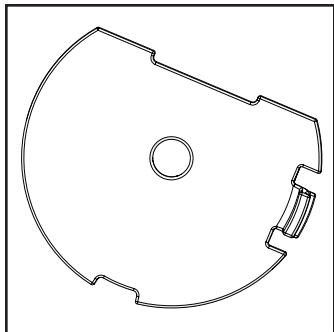
- Echoing and offset lines



### **LENS D - 1/4" Circle**

(ACC-05-15211)

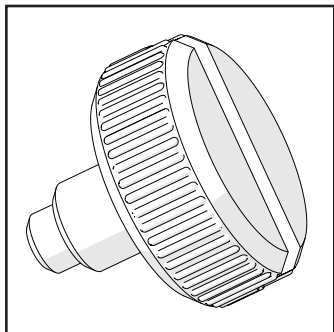
- Echo and offset curves



### **LENS E - Clear**

(ACC-05-15210)

- Clear view of needle area.

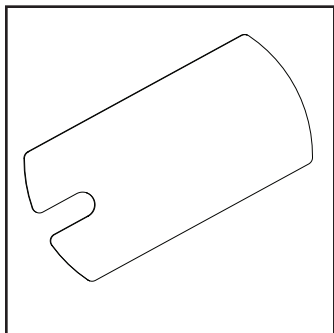


### **Needle Bar Thumb**

**Screw M3 x 4 mm**

(HDW-04-15109)

- Replace the current thumb screw on your machine.

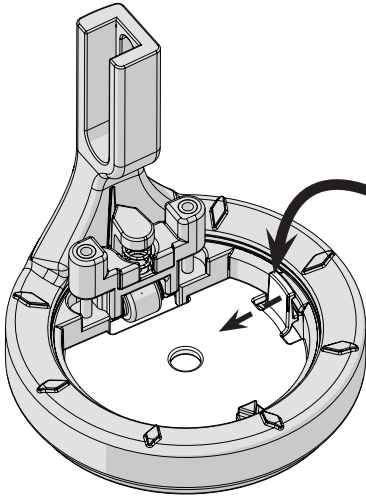


### **Hopping Foot Height Tool**

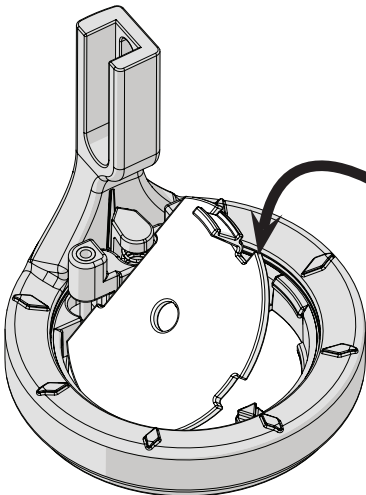
(SMP-04-12171)

- Set hopping foot height for quality stitching.

# Lens Swapping Instructions



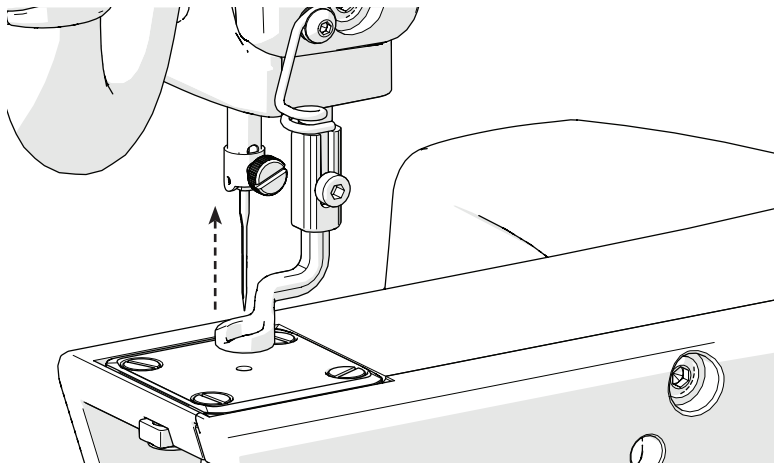
Push the tab inward to pop the lens out of the Wonderfoot.



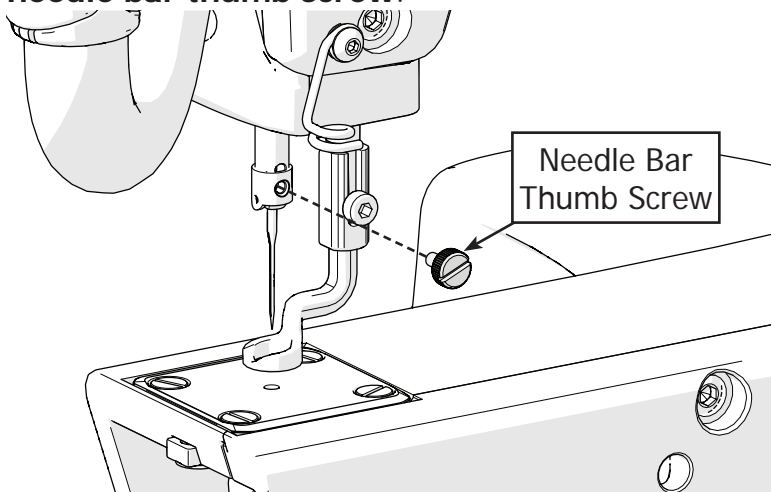
Align the insert edges and press into the Wonderfoot.

## Foot Installation Instructions

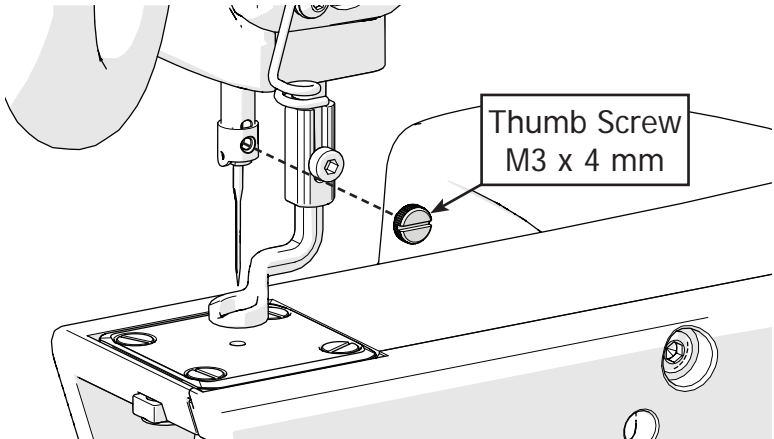
- 1 Raise the needle.



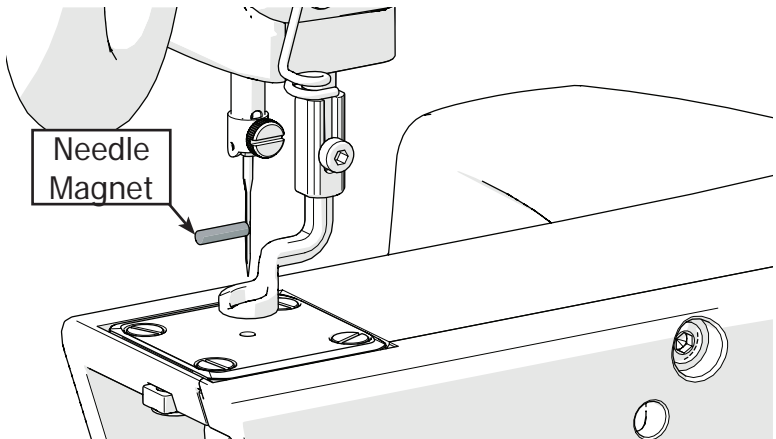
- 2 While holding the needle in place, remove the **needle bar thumb screw**.



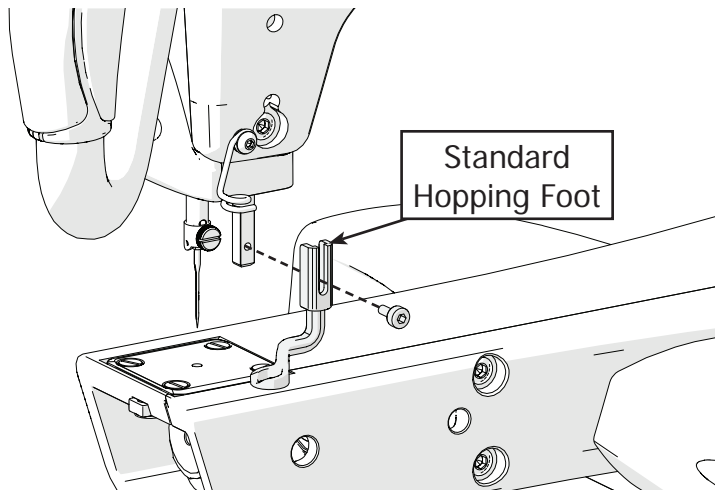
- 3 Hold the needle in place, and loosely attach the **M3 x 4 mm thumb screw** that came with the Wonderfoot.



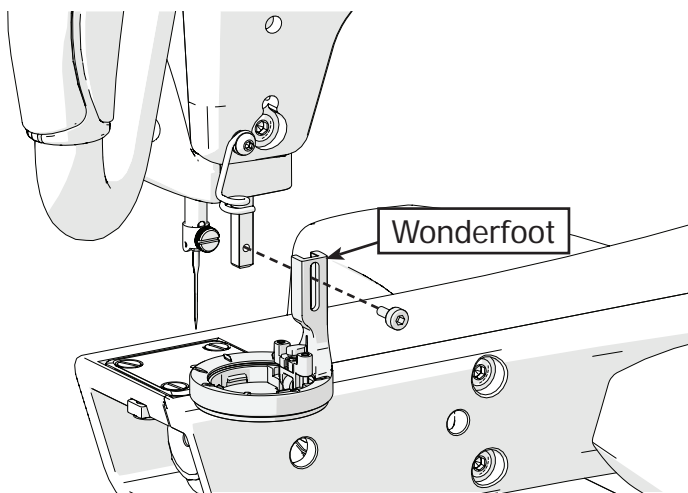
- 4 Use the **needle magnet** that came with your machine to align the needle, and tighten the thumb screw.



- 5 Remove the **standard hopping foot** with the 3 mm Allen wrench.

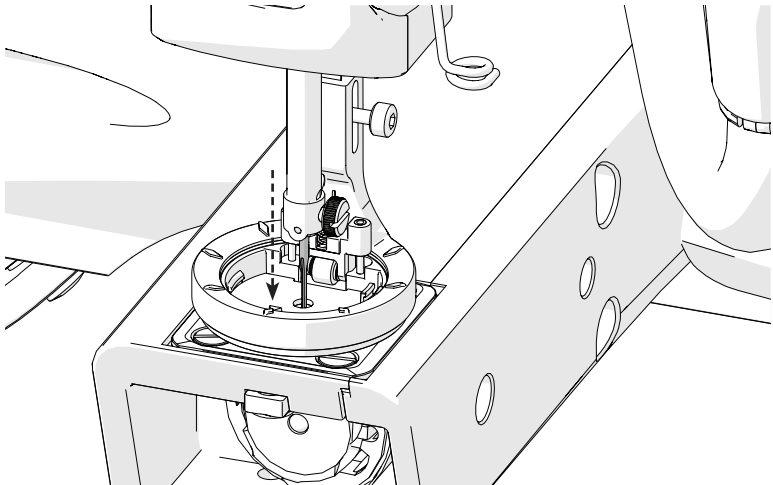


- 6 Loosely install the **Wonderfoot**.

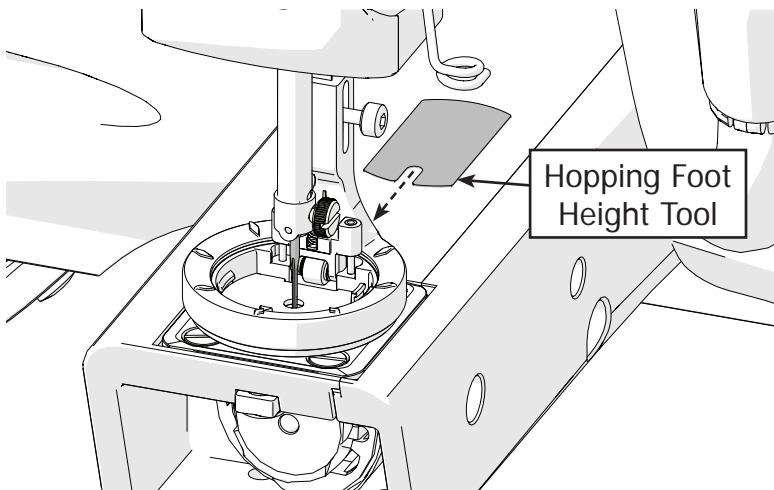




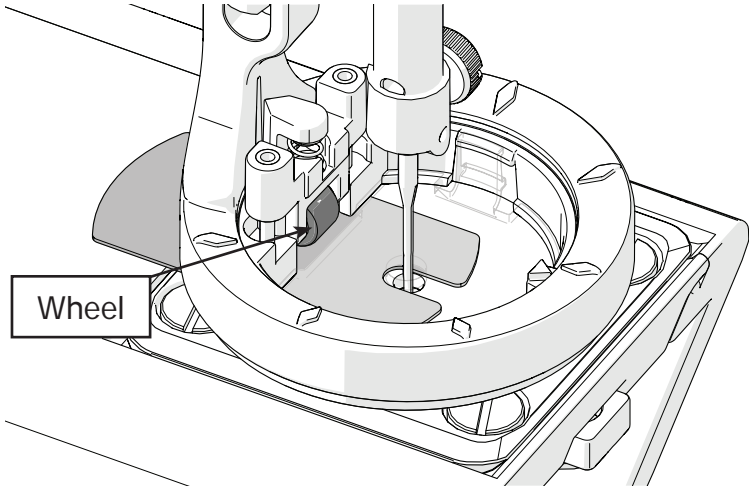
- 7 Slowly lower the needle.



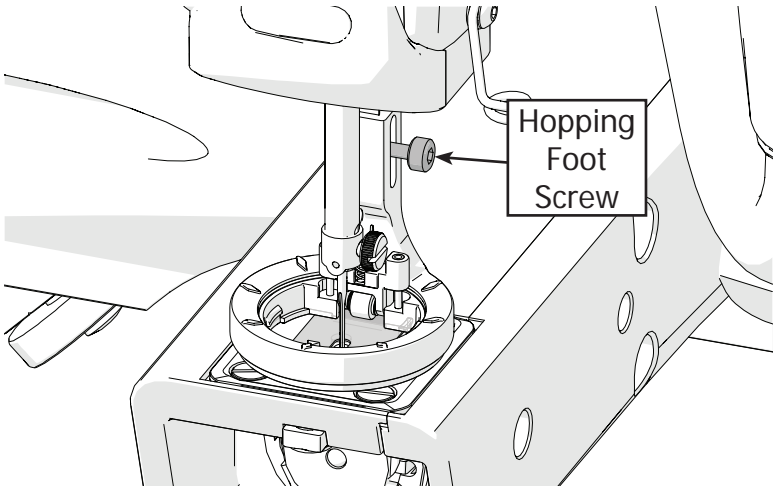
- 8 Slide the **height tool** under the foot.



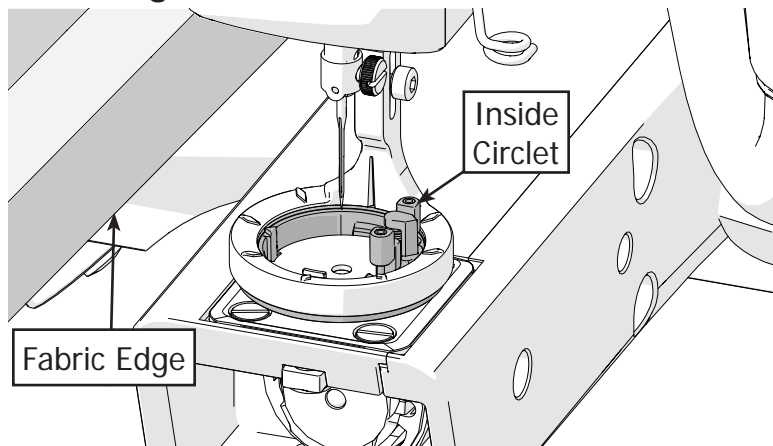
- 9 Make sure the height tool is underneath the **Wonderfoot wheel**.



- 10 Tighten the **hopping foot screw** with the 3 mm Allen wrench.



- 11 When moving your machine onto the fabric, slide the **inside circlet** of the hopping foot away from the **fabric edge**.



- 12 Practice with the provided templates! Templates can also be printed off [www.graceframe.com](http://www.graceframe.com) on the Wonderfoot page.

**The Grace Company**  
**Phone: 1-800-264-0644**  
**[www.graceframe.com](http://www.graceframe.com)**

