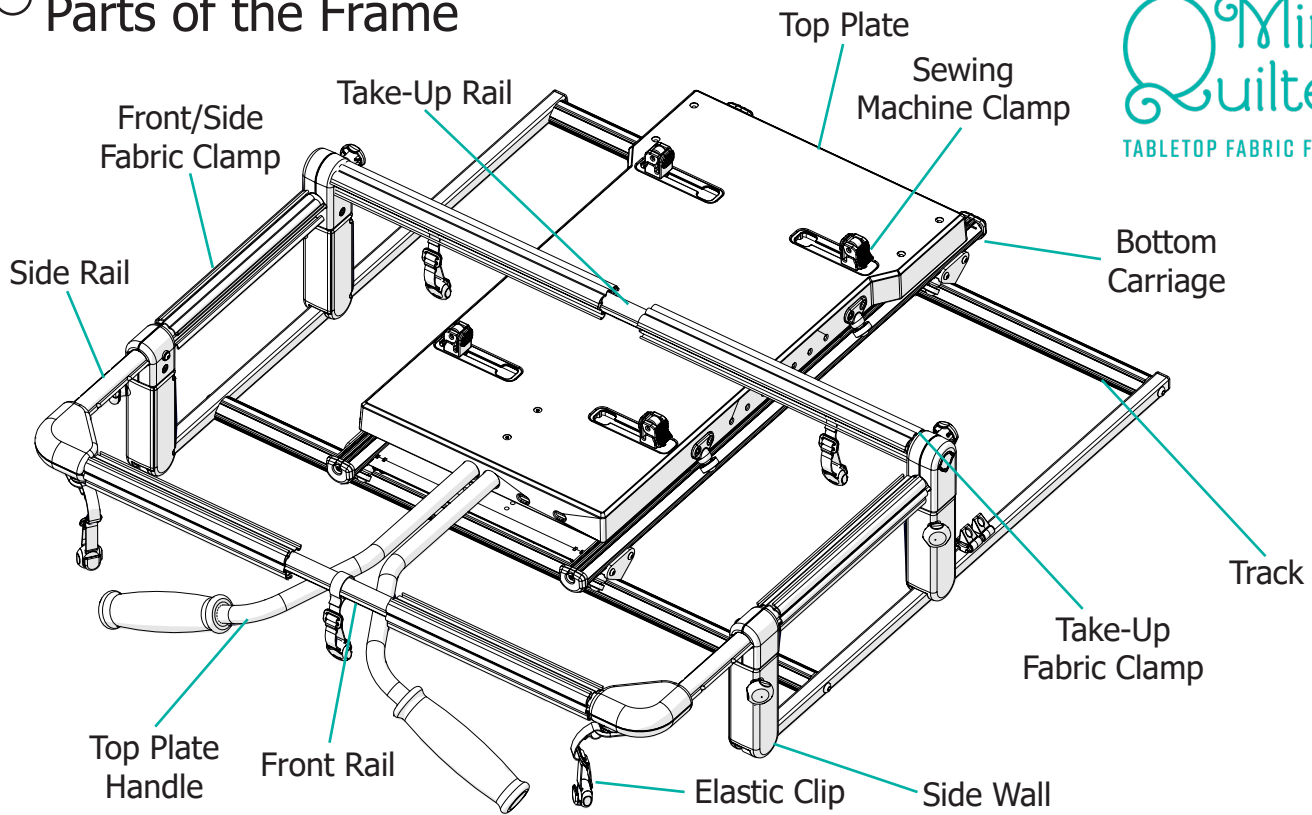


Parts of the Frame



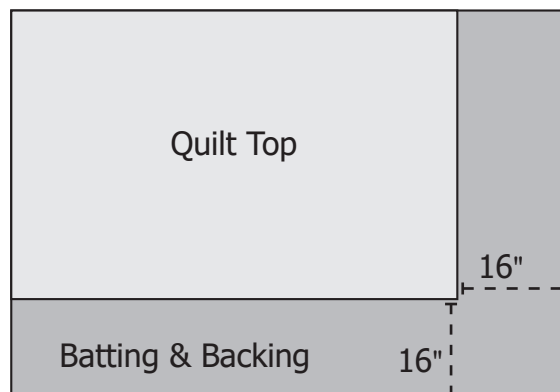
Left Side

Right Side

Starting a New Project:

- Make sure your frame is on a level surface.
- Wipe down with a lint-free cloth (dry or damp with only water):
 - Tracks on the frame
 - Tracks and wheels on the bottom carriage
 - Wheels on the top plate
- Measure your fabric and make your quilt sandwich (see Quilt Dimensions and Quilt Sandwich).
- Check your rail height (see Rail Adjustment).
- Build a test quilt of the same materials as your project, and test your sewing tension.
- Attach your current project to the frame (see Attaching Fabric).
- Find the quiltable area (see Using the Lines on the Clamps).
- Tack down your quilt at the edges of the quilt top.

Quilt Dimensions



Recommended sizing:

Backing: 16" wider & longer than the quilt-top.

Batting: Same size as backing.

Record the measurements of your quilt here in wet-erase marker:

Top: _____ x _____

Batting: _____ x _____

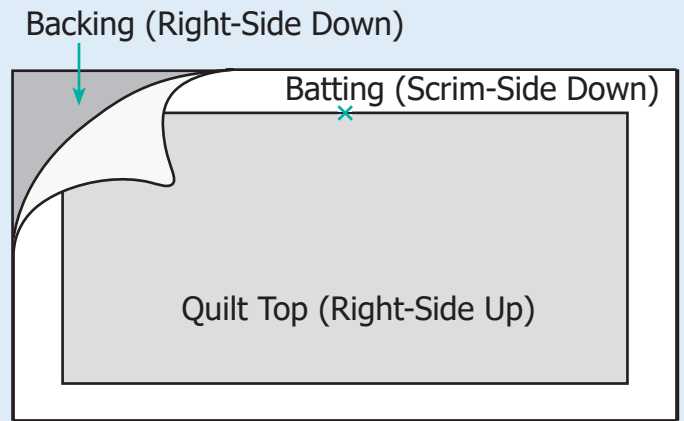
Backing: _____ x _____

Quilt Sandwich

To build your quilt sandwich:

- 1 Place the backing right-side down.
- 2 Place the batting on top of the backing, scrim (coarse/pimped) side down.
- 3 Center quilt top over the batting, right-side facing up.

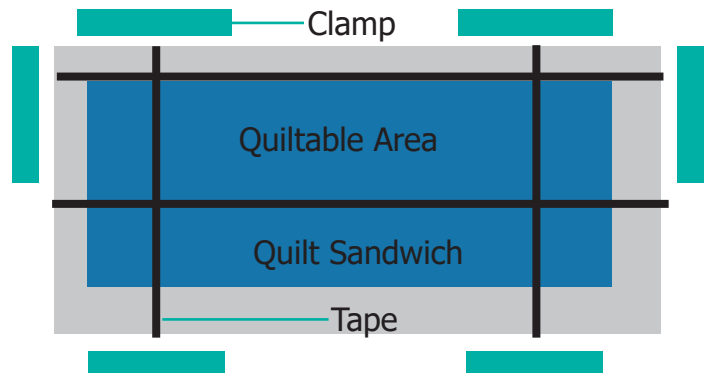
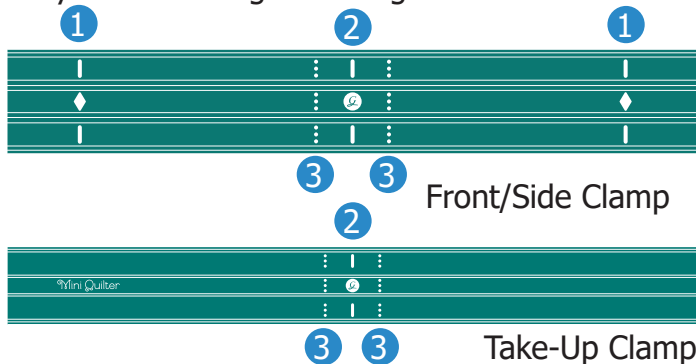
Note: "Right-Side" is the side of the fabric you want to show on the outside of the finished quilt.



Using the Lines on the Clamps

To help you keep track of your quiltable area (the space on the frame where you machine can quilt safely), the fabric clamps have lines on them. The front/side clamps have five lines and the take-up clamps have three.

- 1 Use the diamond lines (x2) on the outer edges of the clamps on the side rails to indicate the top edge of your quiltable area.
- 2 Use the G-logo line (x1) in the middle of the clamps on the front and take-up rails to keep track of the left and right edges of your quiltable area.
- 3 Use the three-dotted lines (x2) around the G-logo line if the offset of your needle prevents you from using the G-logo lines.

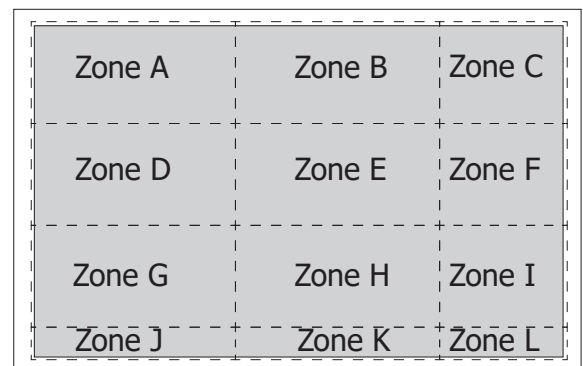


Eventually, you might be confident enough about your quiltable area to use only the lines on the clamps to indicate the quiltable area. However, if you have any doubts, tape four lines across your quilt to clearly visualize your quiltable area. See the manual for details.

Moving Fabric

When you're finished with the available quilting space, it's time to move the quilt to the next zone.

- 1 Unhook the elastic clips. Remove the fabric clamps.
- 2 Move the quilt so the next quilting zone is within the reach of the sewing machine.
- 3 Replace the fabric clamps, and clip any excess fabric with the elastic clips again.



When you move to a new zone in your quilt, tack down the quilt top edges about a quarter inch from the batting and backing.

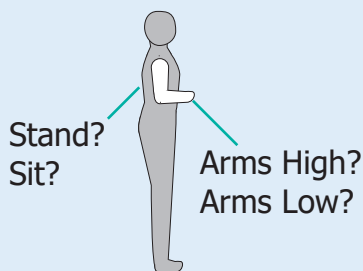
Remember to Get Comfy with Your Frame

○ When you quilt for a while, like with any activity, your body can start to feel strain from the repetitive motions. To prevent this, adjust your frame so that it's most comfortable for you!

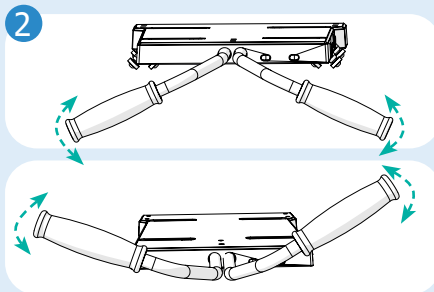
Take some time to figure out the position in which your body is the most comfortable (1). Do you want to stand? To sit? To be able to switch between the positions often? Think about your arms. Do you want them closer to your chest or your waist? Do you want your hands close together or farther apart? Think about your posture. Are you hunching over the frame? Are you stretching to see the top of it? Do your wrists, shoulders, hips, knees, or feet ache after a quilting session? As you answer these and other similar questions, make the frame change to fit you!

Change the angle of the handles (2), move the frame to a different table, or change the height of your seat. If you're going to be quilting for hours, take the time to make those hours as comfy as possible!

1



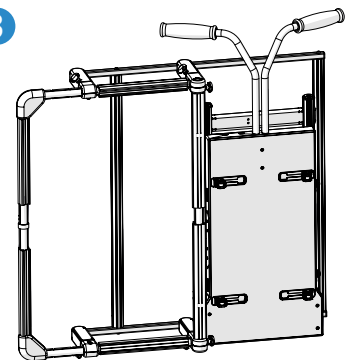
2



Turn It Sideways!

Your frame is sturdy and durable. The frame can even handle being tipped on its side (3) in a closet, being hung from bike hooks on a wall, or being slid under a bed for storage. Be kind to your frame, but feel free to experiment with how you store it or move it. It's mini—it can even handle a car ride!

3



Tips & Tricks

Practice Makes Perfect

Use leftover fabric from your quilt top to make a small practice quilt.

After every bobbin change, put the practice quilt onto the frame and set your stitch tension before stitching into your work in progress.

You can also practice stitching out patterns on your practice quilt.

Make small practice quilts to determine how your quilt top, batting, and backing interact together before making your actual quilt.

Test Your Tension

Remember to test your fabric tension and your thread tension before you start quilting, and every time you move the fabric on the frame.

To test your fabric tension, drop a penny on the fabric. It should gently bounce on the fabric because it's taut.

To test your thread tension, do a bit stitching on some scrap fabric on the batting to the side of your quilt.

See the Troubleshooting Tension for Quilters guide in the digital resources for detailed help on fixing tension issues.

Move Fabric with Clamp On

When you move your fabric to a new zone, leave one clamp on the front rail on the side that is opposite of the direction you are moving your fabric. (For example, if you're moving the quilt to the left, keep the clamp on the right on the front rail.) Then push or pull the clamp to reposition the fabric.

Take a Break

If you aren't quilting for a few days, remove your fabric clamps to avoid stretching out your fabric.

Rail Adjustment

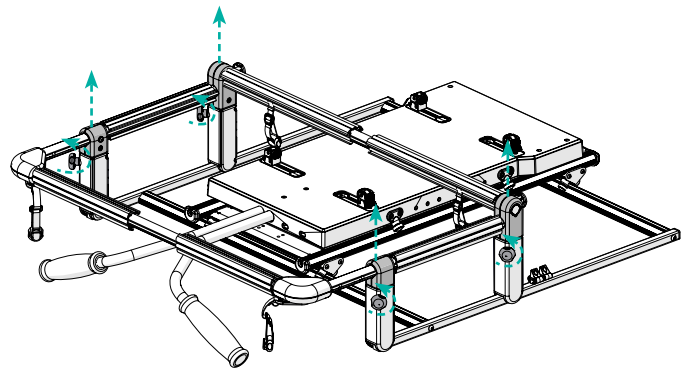
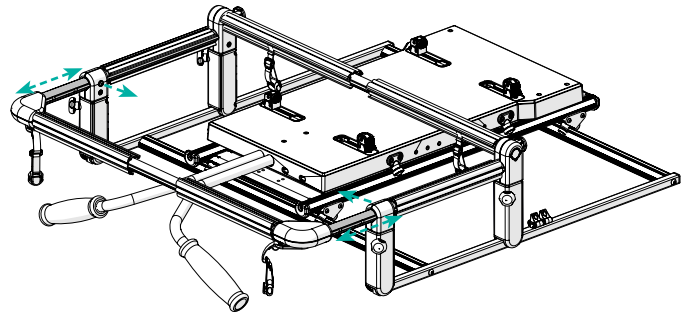
The front rail must be at the correct location for the throat length of your machine. The take-up rail must be as close as possible (without touching) to the bed of your machine.

To adjust the front rail:

- 1 Use a 2.5 mm Allen wrench to remove the top screws from the towers.
- 2 Slide the rails until the correct notches are lined up with the screw hole. Refer to the manual for information about the correct notches and record that letter here: _____
- 3 Replace the screws to secure the rails in their new positions.

To adjust the take-up rail:

- 1 Loosen the knobs on the rail holders.
- 2 Raise or lower the rail holders on both sides until the take-up rail is as close as possible (without touching) to the bed of the machine. Record that number here: _____
- 3 Tighten the knobs to hold the rails in place.



Quilting From the Middle

Rather than starting from the top-left of the quilt and stitching across and then down, like reading a book, you might try starting in the middle of your quilt and stitching outward, ending with the corners.

This method helps prevent fabric shifting that can happen as the fabric shrinks as stitches are added.

However, quilting from the middle can make it more difficult to create consistent line designs, so use the starting location that makes sense for each project.

6	4	7
3	1	2
8	5	9

Digital Resources

Scan the QR code with your phone's camera or visit <https://digitalcontent.graceframe.com/course/582/784> to access more resources for your frame.



Grace
COMPANY

1-800-264-0644