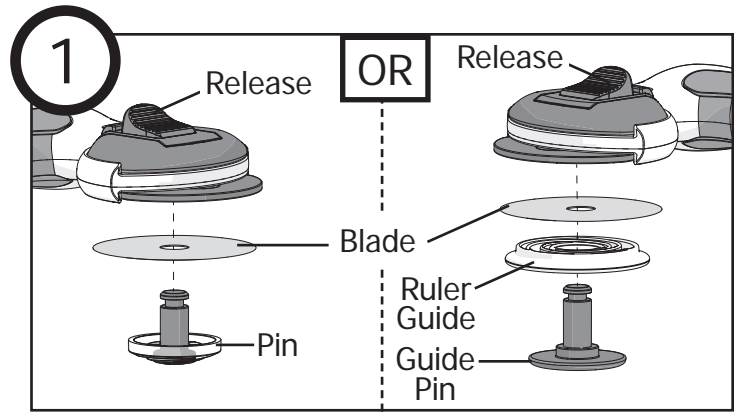
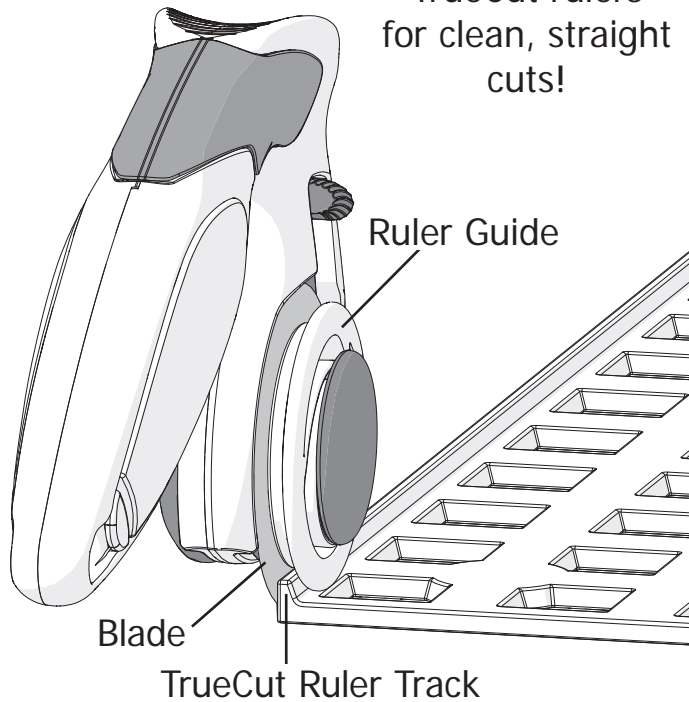
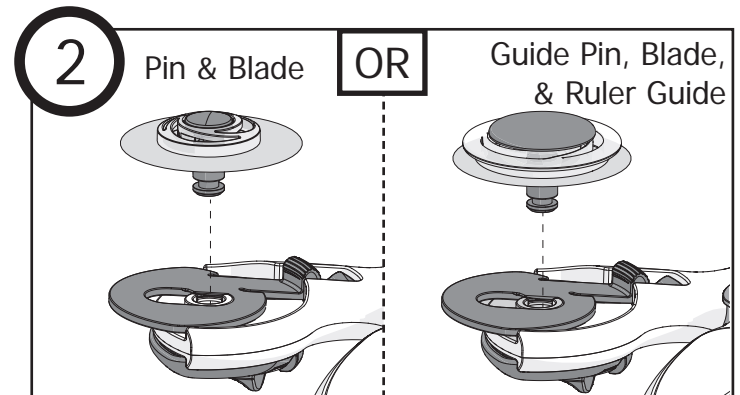


My Comfort Cutter™

Pairs with TrueCut rulers for clean, straight cuts!

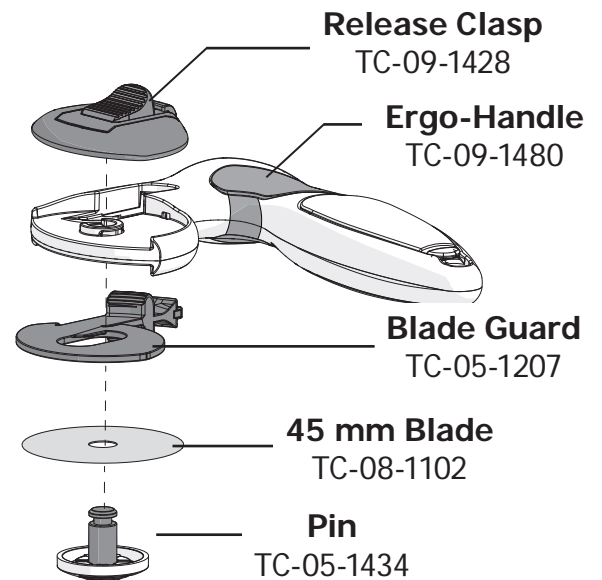
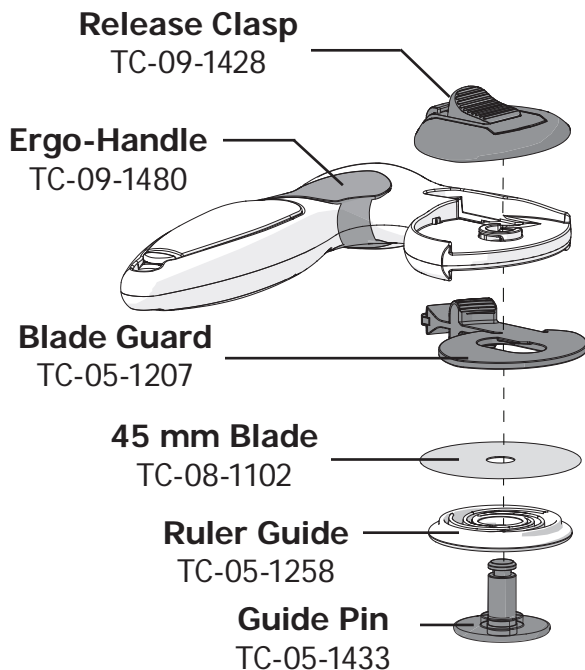


Extend the blade guard and pull in the **release** to drop the **blade** and **pin**.



Place the new blade onto the **pin**, and press into the handle until it clicks.

Can be set up for right or left-handed use, with or without the ruler guide.

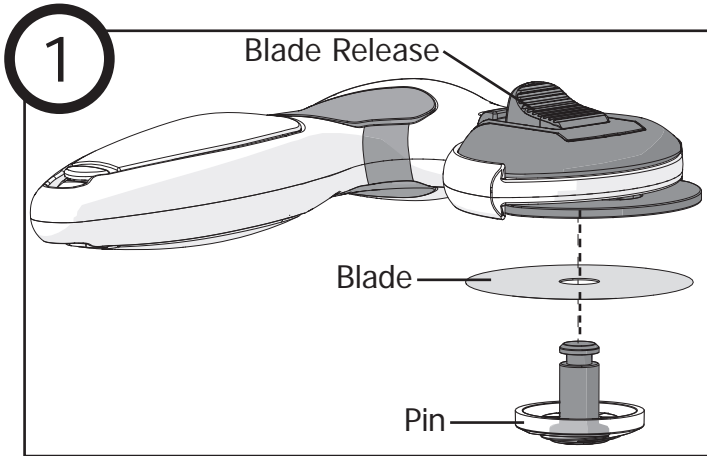


Shown: Right-handed setup using ruler guide.

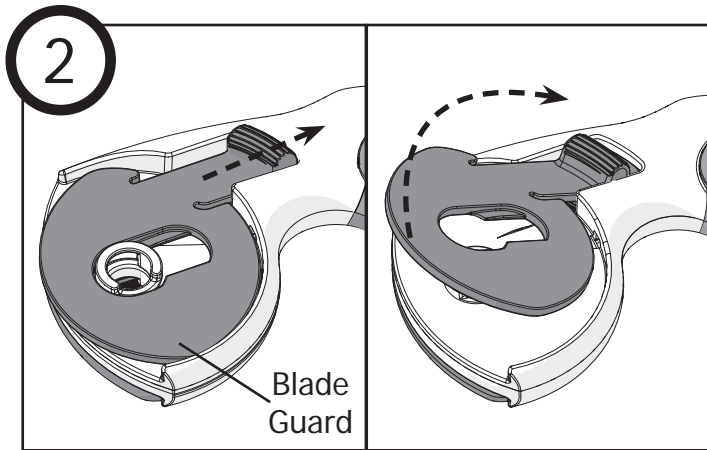
Shown: Left-handed setup without ruler guide.

Swapping Hands

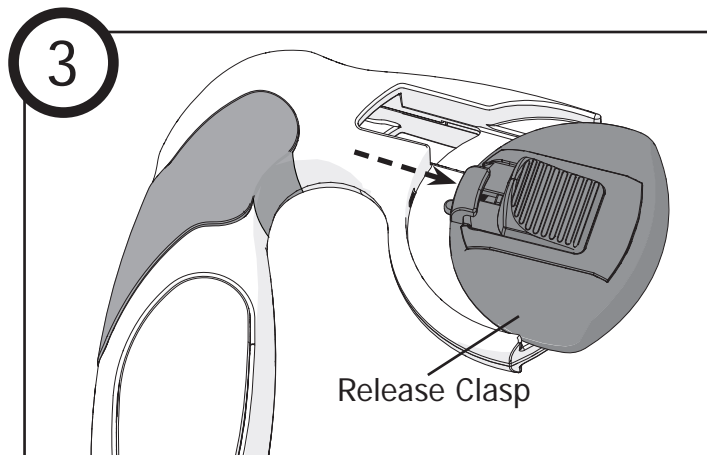
Take the steps below to switch between right and left-handed setups.



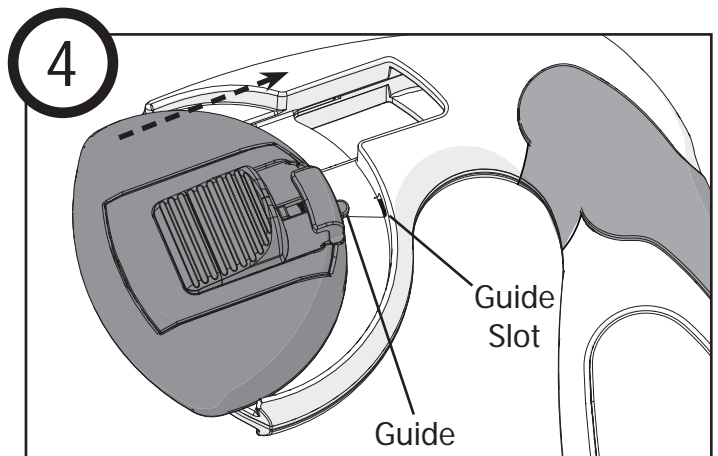
Pull in the **release** to drop the **blade** and **pin** from the cutter.



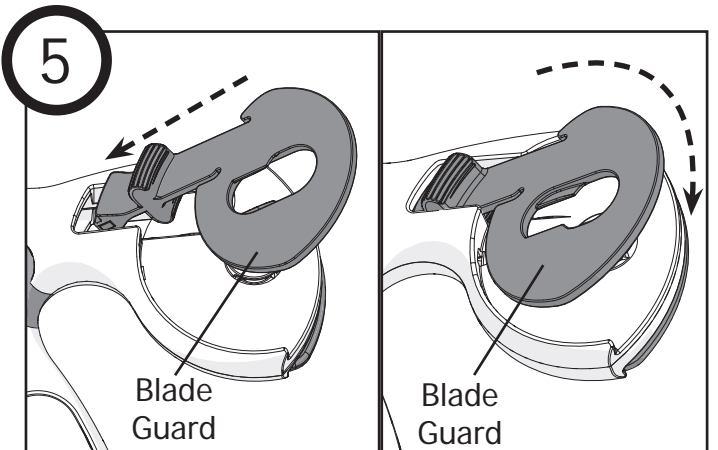
Retract the **blade guard** to pull it from the handle.



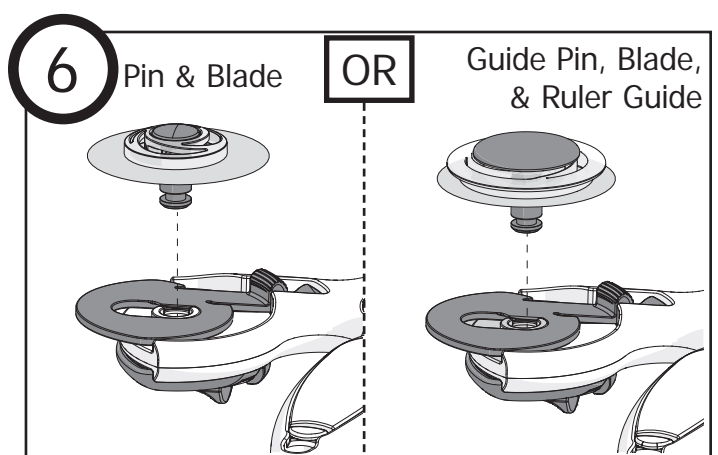
Push out on the blade release to detach the **release clasp** from the handle.



Move the release clasp to the other side and push the **guide** into the **guide slot**.



Flip over the handle. Insert the lever part of the **blade guard** into the handle. Lay it flat and extend the guard to lock it in place.



Re-install the blade and pin, or blade, ruler guide, and guide pin.