



US00D439490S

(12) **United States Design Patent**  
**Bagley**

(10) **Patent No.:** **US D439,490 S**

(45) **Date of Patent:** **\*\* Mar. 27, 2001**

(54) **TACK TOOL**

3,769,644 \* 11/1973 Case ..... 254/25 X

(76) Inventor: **Jim M. Bagley**, 9909 S. Dream Cir.,  
South Jordan, UT (US) 84095

**OTHER PUBLICATIONS**

Hardware Age, p. 214, Superbar, Nov. 1960.\*

(\*\*) Term: **14 Years**

\* cited by examiner

(21) Appl. No.: **29/112,274**

*Primary Examiner*—Nanda Bondade

(22) Filed: **Oct. 13, 1999**

(74) *Attorney, Agent, or Firm*—Prince, Yeates &  
Geldzahler

(51) **LOC (7) Cl.** ..... **08-05**

(57) **CLAIM**

(52) **U.S. Cl.** ..... **D8/89**

I claim the ornamental design for a tack tool, as shown.

(58) **Field of Search** ..... D8/14, 16, 31,  
D8/48, 88, 89; 15/236.01, 236.02, 236.03,  
236.04; 254/25

**DESCRIPTION**

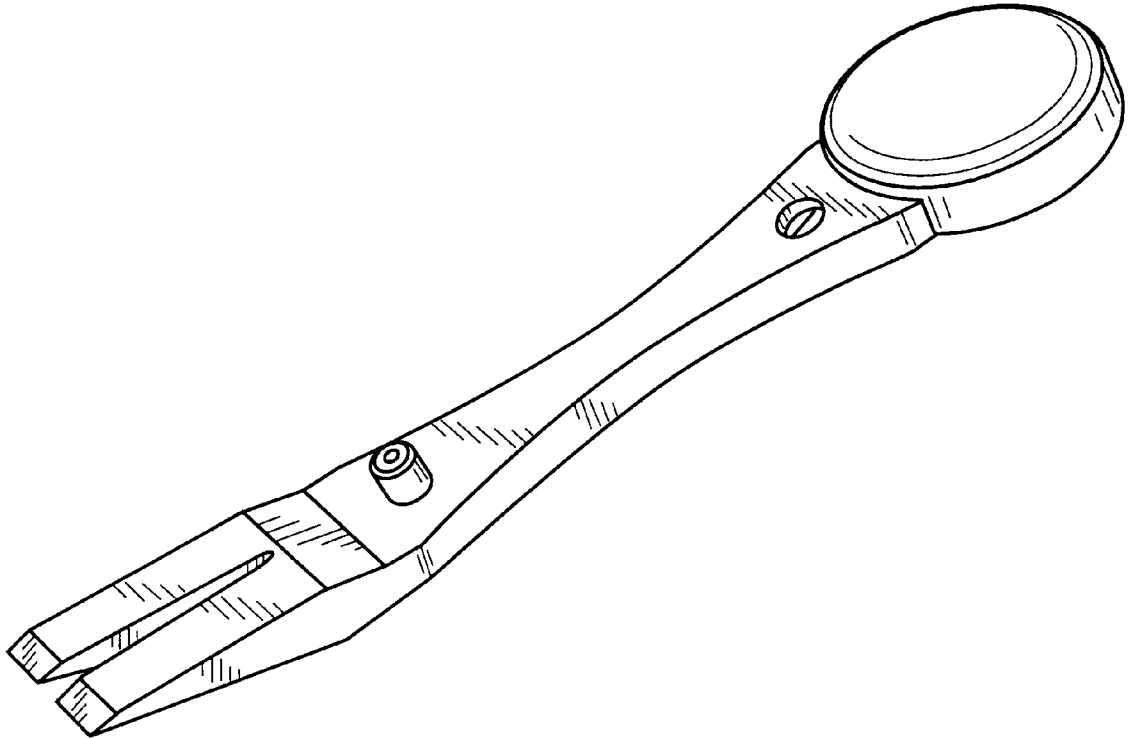
(56) **References Cited**

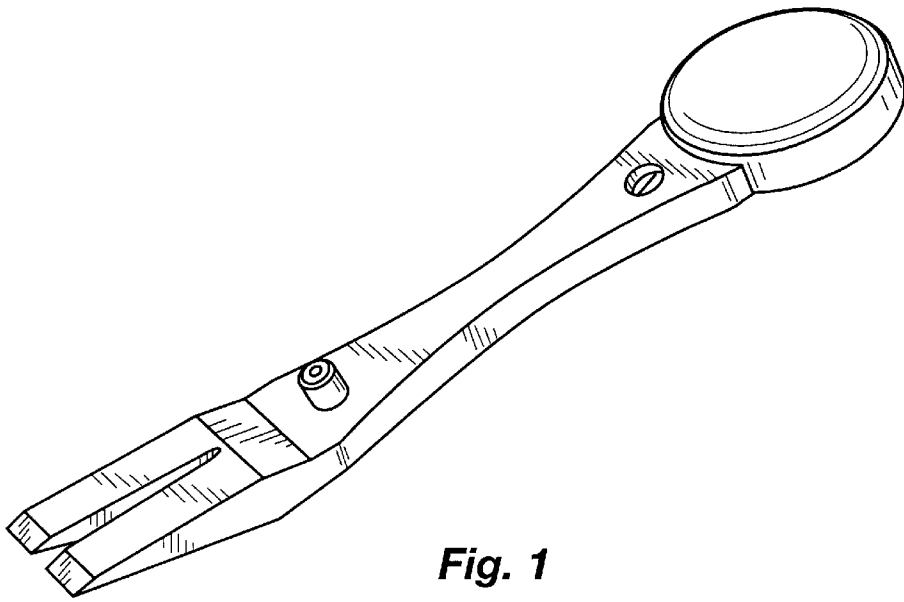
**U.S. PATENT DOCUMENTS**

- D. 202,475 \* 10/1965 Anderton ..... D8/89
- D. 219,951 \* 2/1971 Rand ..... D8/14
- D. 255,320 \* 6/1980 Steck ..... D8/89
- D. 321,308 \* 11/1991 Kingsbury ..... D8/89 X
- D. 386,859 \* 11/1997 Rostron ..... D8/14

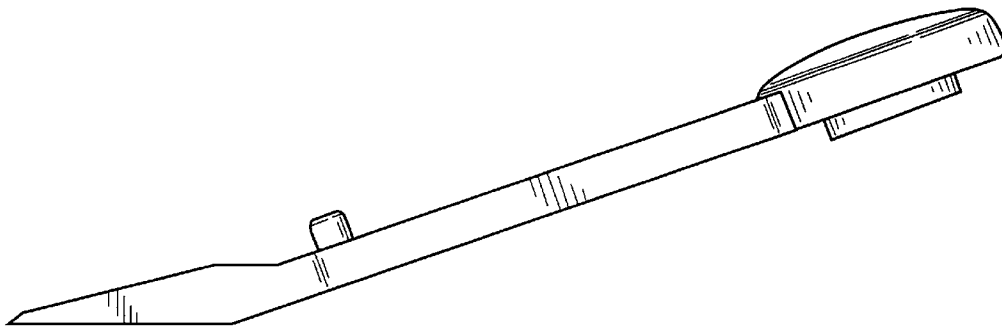
FIG. 1 is a perspective view of the tack tool;  
 FIG. 2 is a right-side elevational view thereof;  
 FIG. 3 is a left-side elevational view thereof;  
 FIG. 4 is a front elevational view thereof;  
 FIG. 5 is a rear elevational view thereof;  
 FIG. 6 is a top plan view thereof; and,  
 FIG. 7 is a bottom plan view thereof.

**1 Claim, 2 Drawing Sheets**

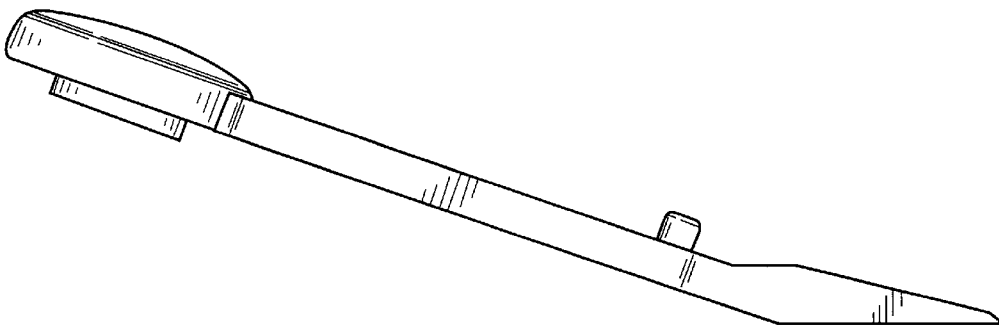




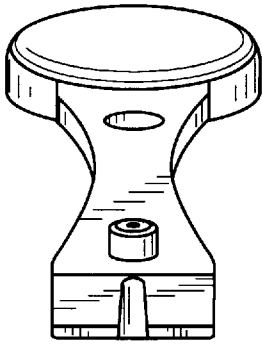
**Fig. 1**



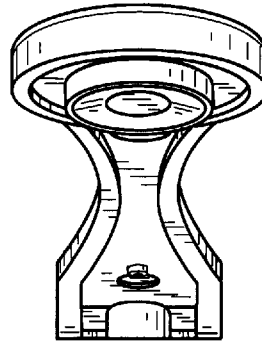
**Fig. 2**



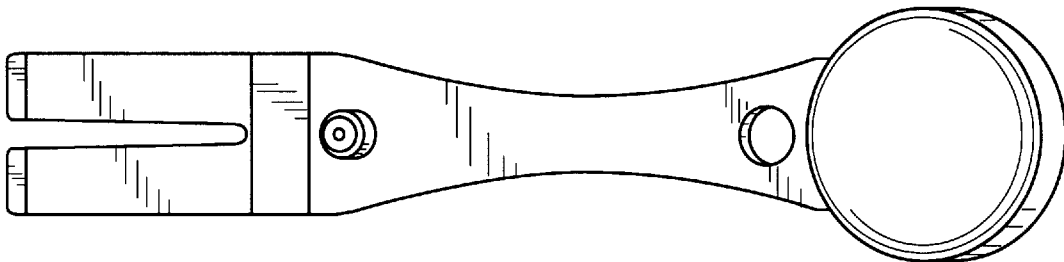
**Fig. 3**



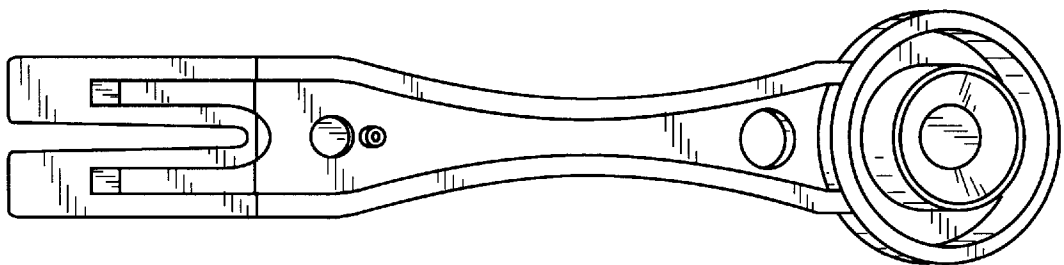
**Fig. 4**



**Fig. 5**



**Fig. 6**



**Fig. 7**