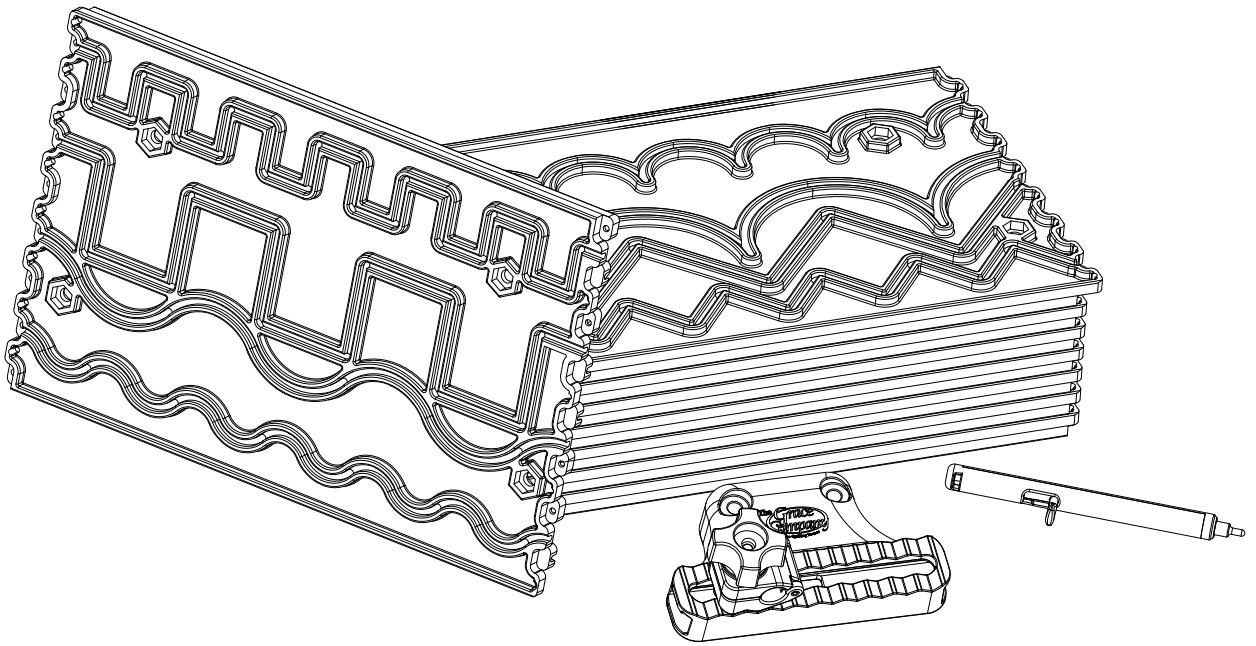


Pattern Perfect

Assembly Instructions



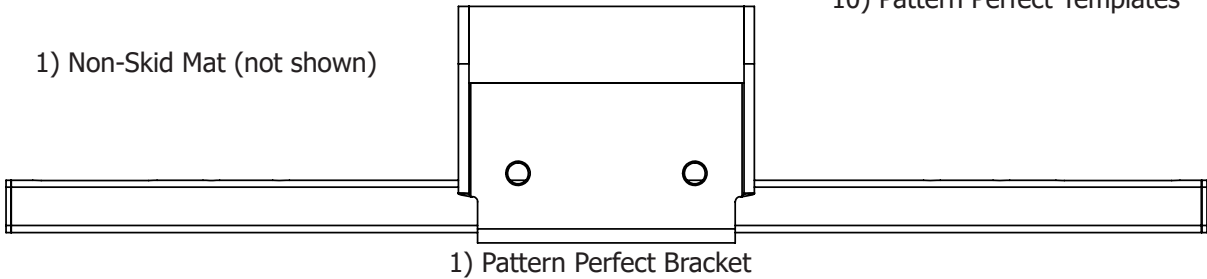
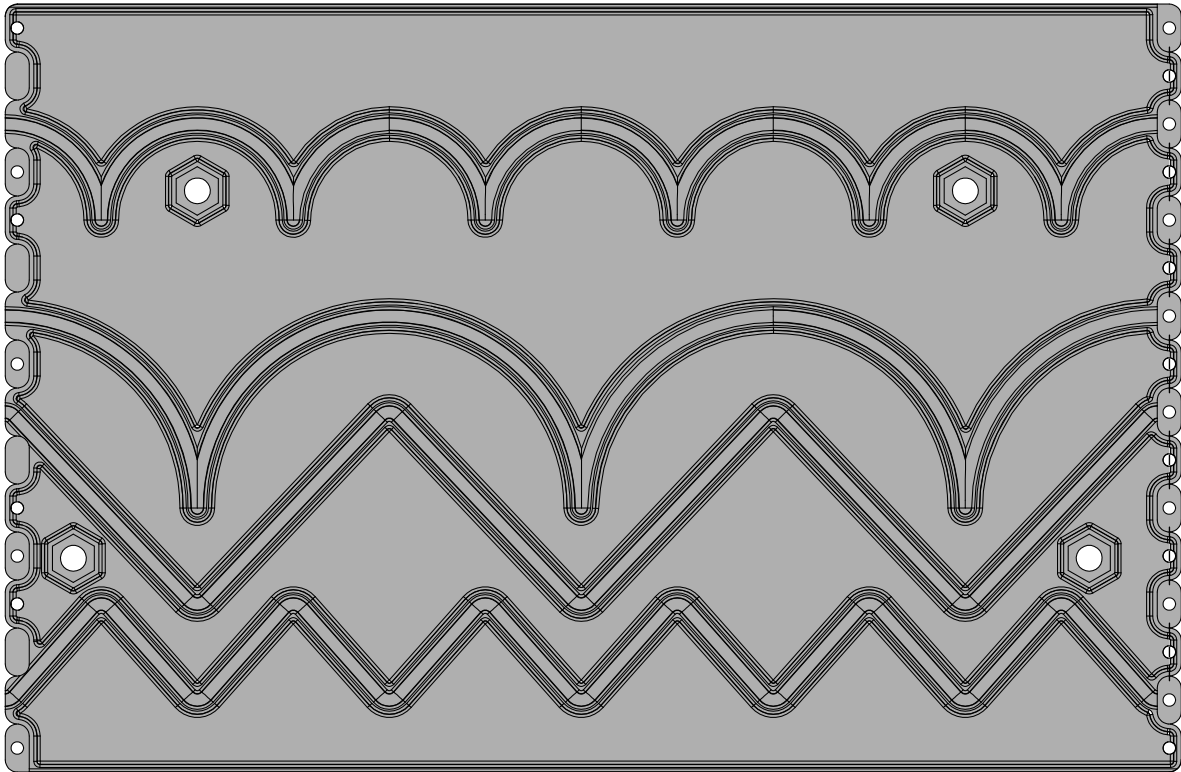
Copyright June 24, 2022
Grace Company
(Reproduction Prohibited)
Version 2.2

MADE BY
Grace

Table of Contents / Pattern Perfect

Parts List	3
Step 1 - Template Installation	4
Step 2 - Bracket Assembly	7
Step 3 - Choose Your Setup	9
• 15in Machine	10
• 16in Machine	13
• 19in Machine	15
• 21in Machine	17
• G-Series 1.....	19
• G Series 2.....	20
• Cutie Frame	21
User Tips.....	22

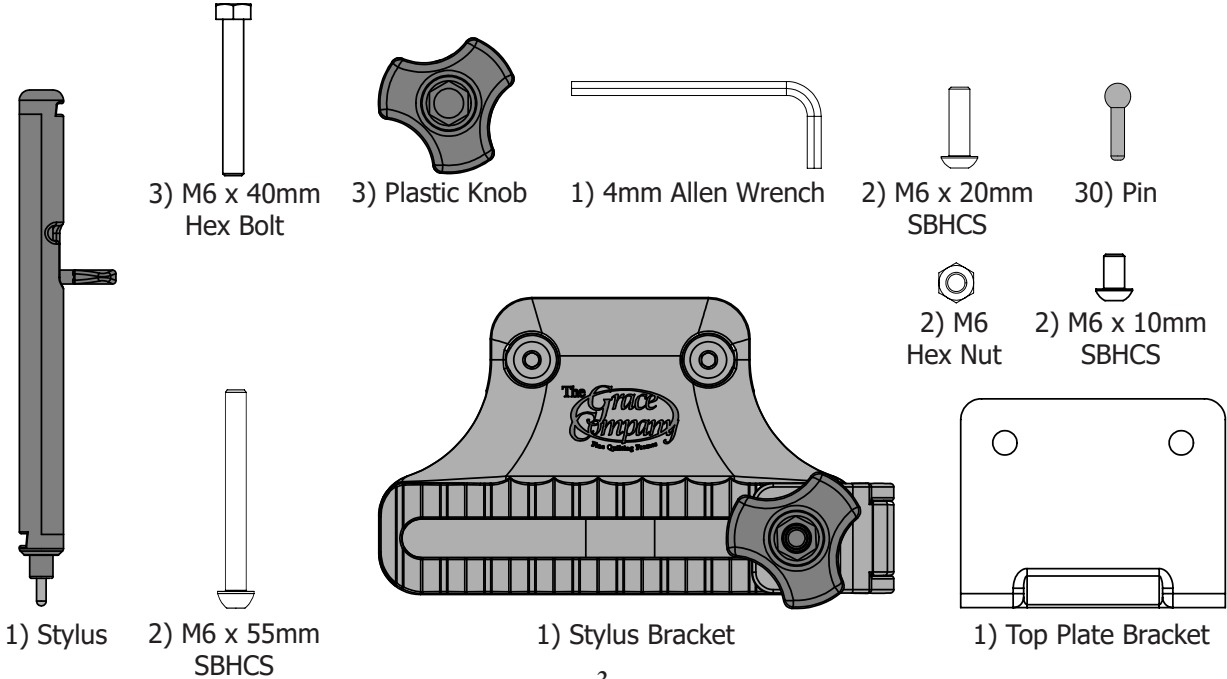
Parts List / Pattern Perfect



1) Non-Skid Mat (not shown)

10) Pattern Perfect Templates

1) Pattern Perfect Bracket



3) M6 x 40mm Hex Bolt

3) Plastic Knob

1) 4mm Allen Wrench

2) M6 x 20mm SBHCS

30) Pin

2) M6 Hex Nut

2) M6 x 10mm SBHCS

1) Stylus

2) M6 x 55mm SBHCS

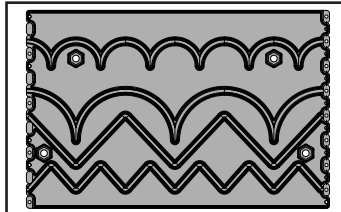
1) Stylus Bracket

1) Top Plate Bracket

Template / Pattern Perfect

Step 1 - Template Installation

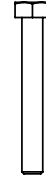
Parts Needed:



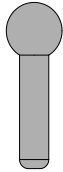
**Pattern Perfect
Template (10)**



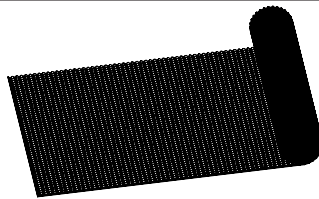
Plastic Knob (3)



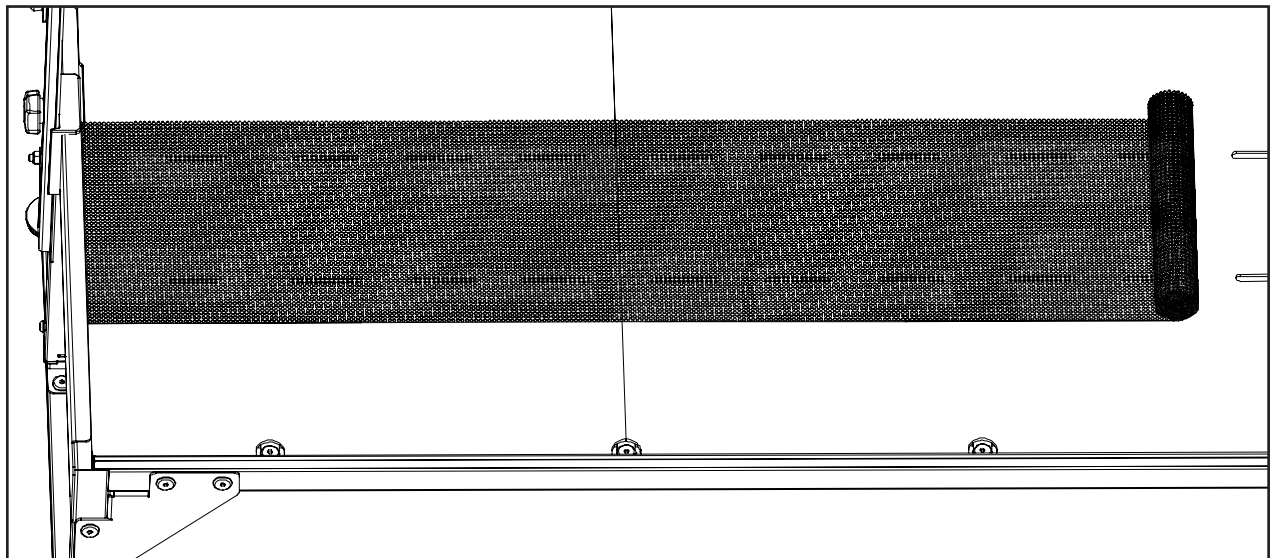
**M6 X 40mm
Hex Bolt (3)**



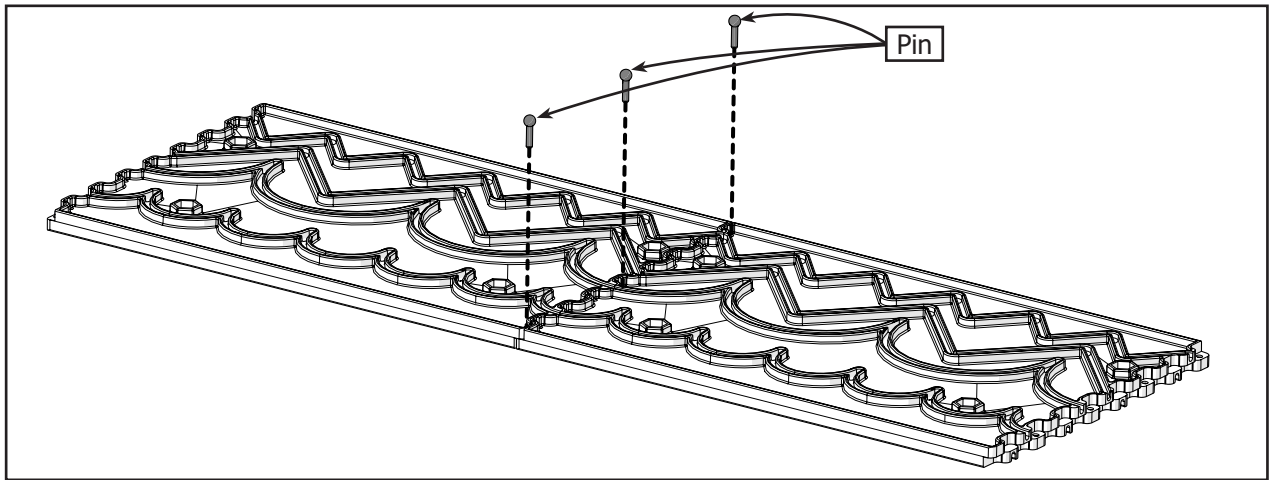
Pin (30)



**Non-Skid Mat
(not shown)**

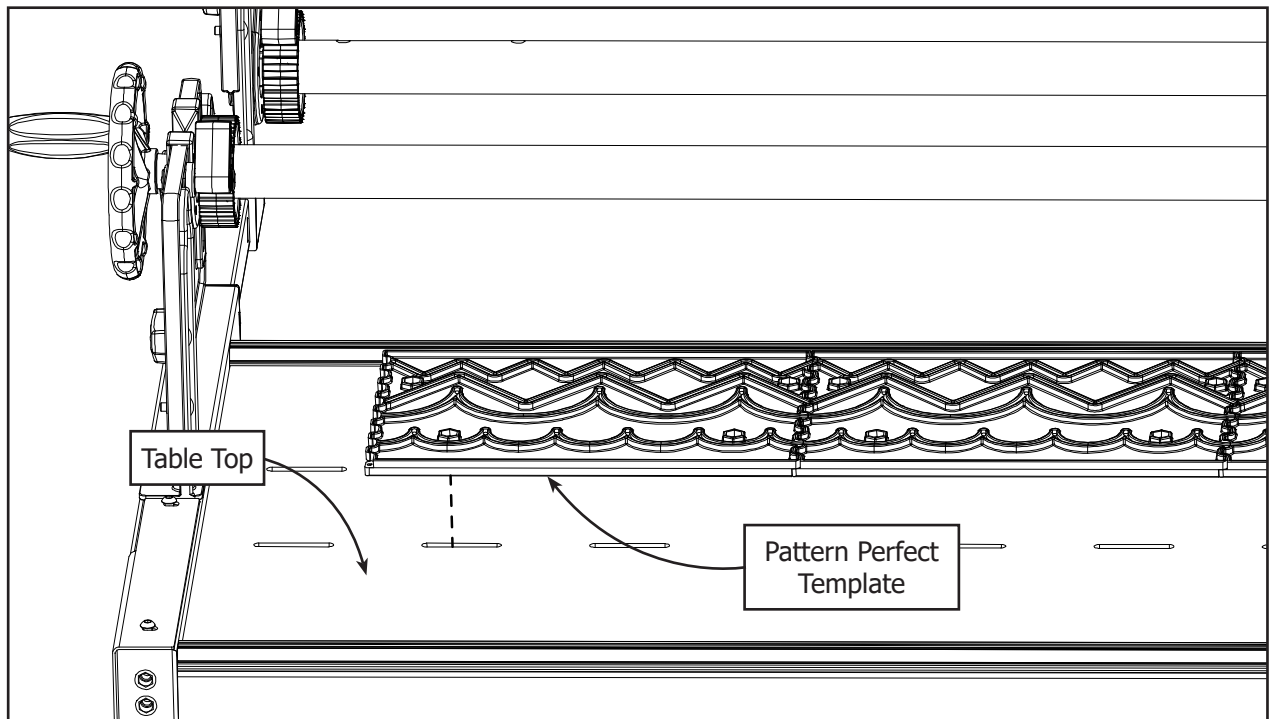


1-1 Lay down the Non-Skid Mat on the Table Top, making sure there are no wrinkles.



1-2 Determine which pattern set you wish to use, and place that pattern set face-up on the mat. Connect the next templates using 3 Pins, as shown.

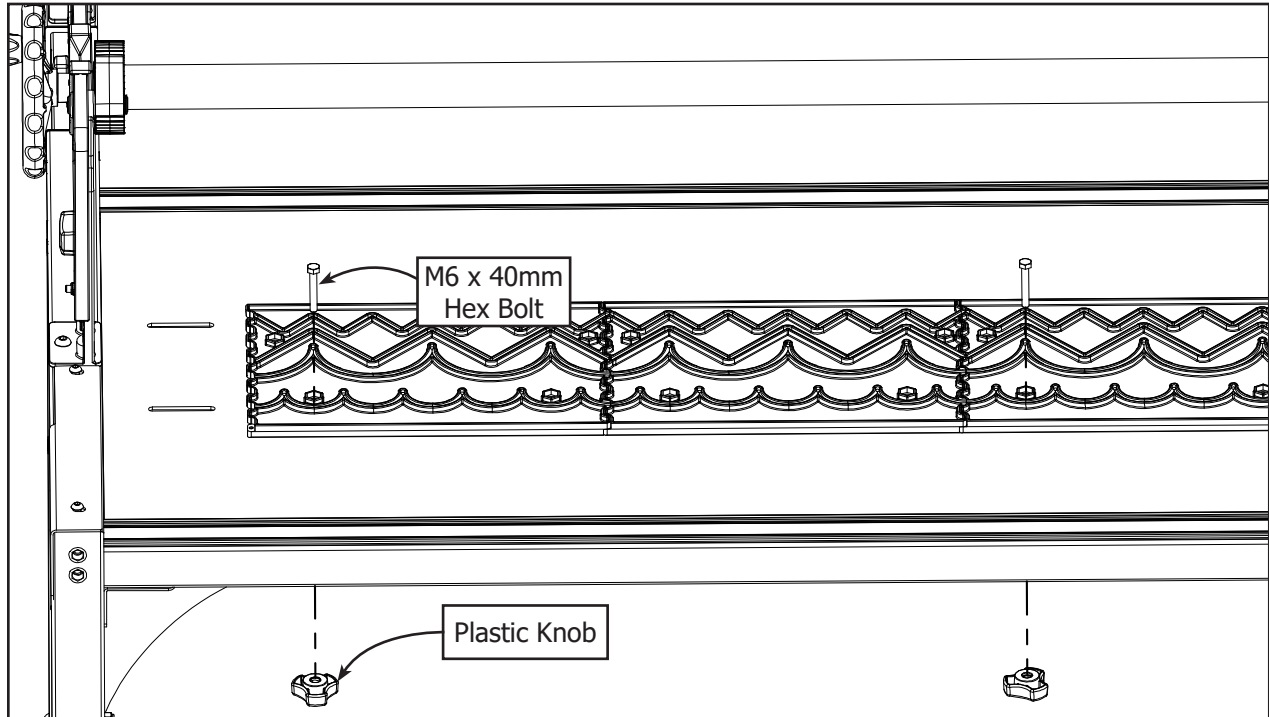
Note: Number of patterns used varies based on frame size. Make sure the number of patterns you use fits in the quilting space on the frame.



1-3 Fasten the templates to the Table Top using (1) M6 x 40mm Hex Bolt. To do this, find a hole that is near the middle of the template assembly and make sure it lines up with one of the slots in your frame's table. You may need to shift your template assembly slightly to line up the hole with a slot. Put a bolt through the hole in the template, push it through the mat and into one of the table slots.

Note: If using the Cutie frame on a table, skip this step and step 1-4.

Template / Pattern Perfect

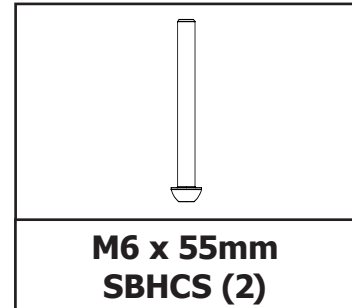
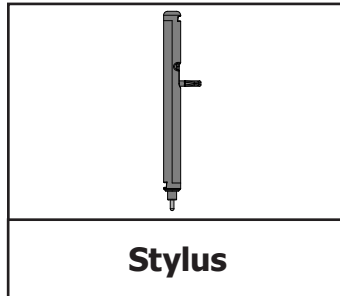
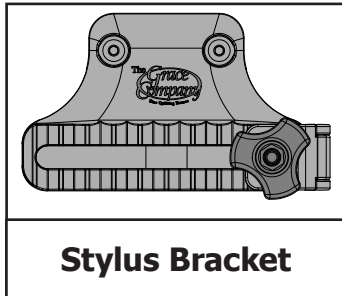


1-4 Place a Plastic Knob onto the end of the M6 x 40mm Hex Bolt and hand tighten completely.

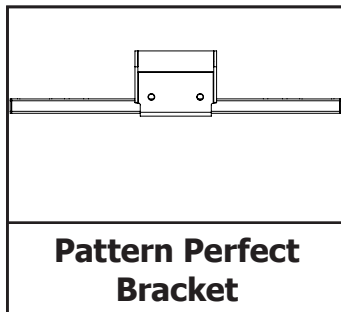
Bracket Assembly / Pattern Perfect

Step 2 - Bracket Assembly

Parts Needed:

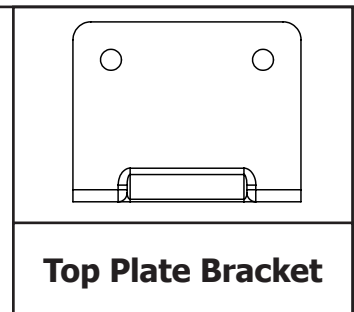
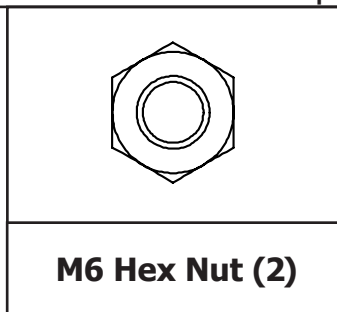


For Installation on
Quilting Machines



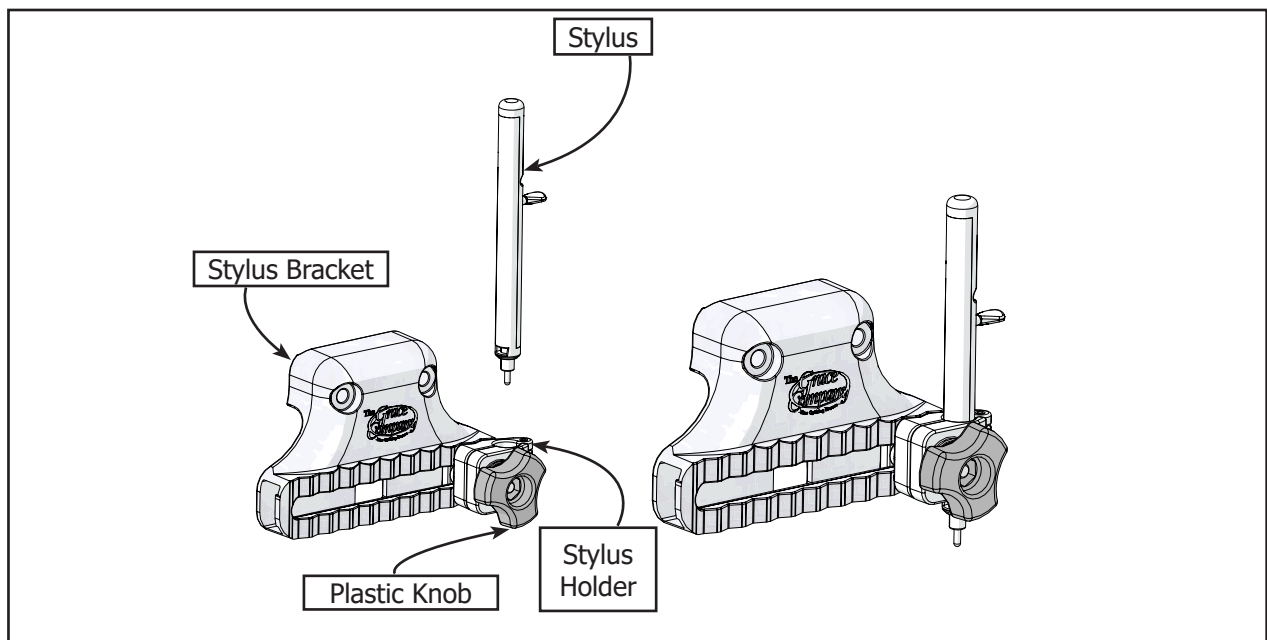
OR

For Installation on
Top Plates



Tools Needed:

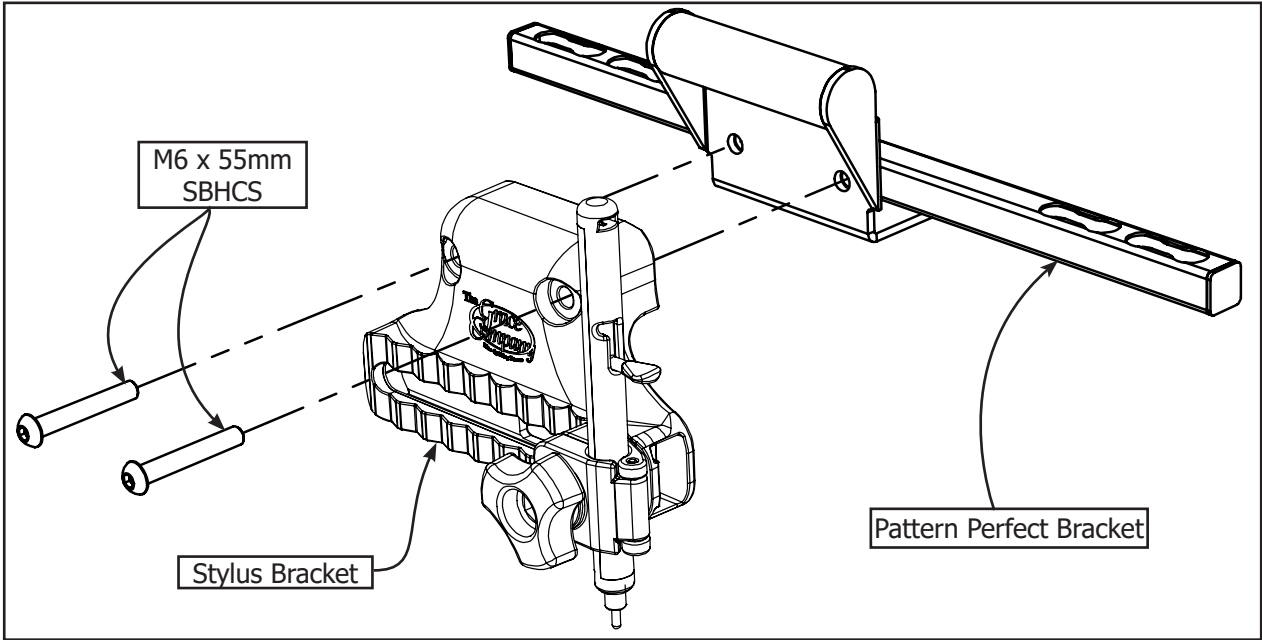
- 4mm Allen Wrench



2-1: First loosen the Plastic Knob on your Stylus Bracket, slide the Stylus down into the Stylus Holder, and tighten the Plastic Knob.

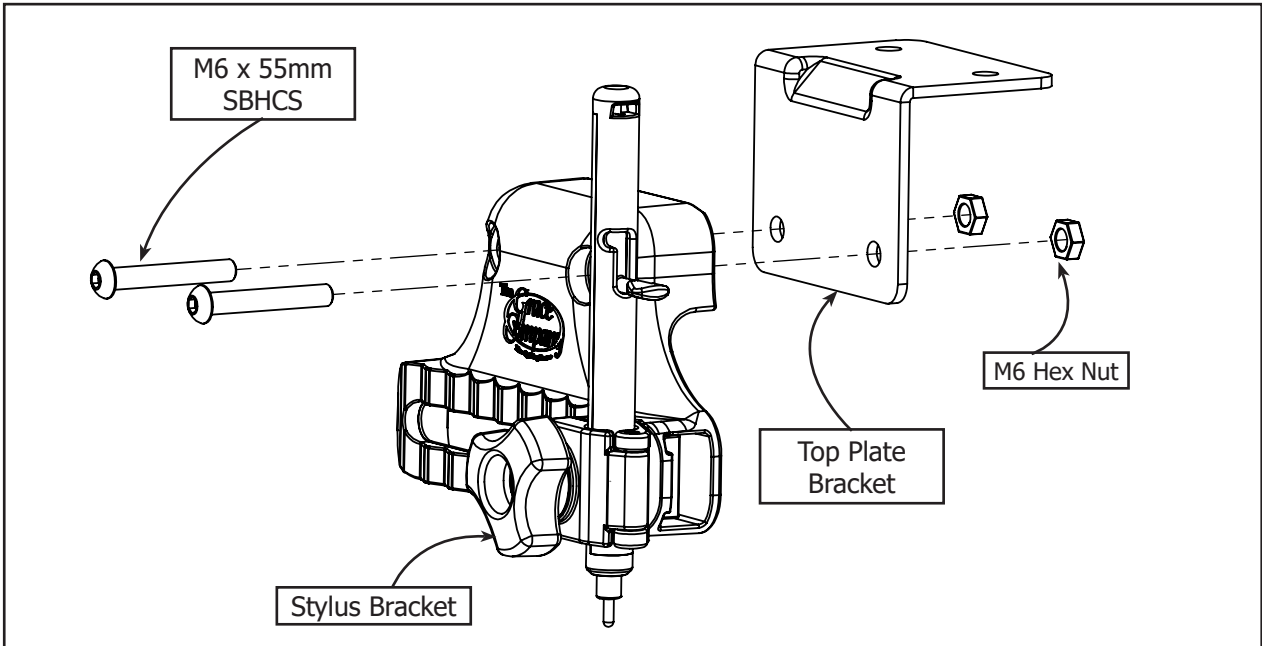
Bracket Assembly / Pattern Perfect

For Machines Only



2-2a: Attach the Pattern Perfect Bracket to the Stylus Bracket using (2) M6 x 55mm SBHCS.

For Top Plates* Only



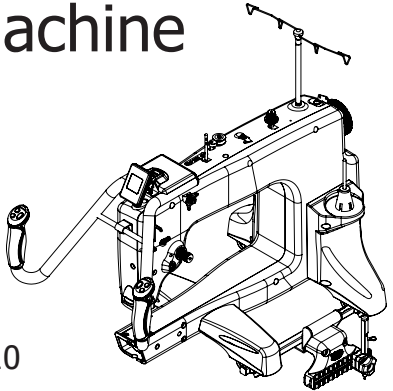
***Note:** Skip this step if using a single-wheel top plate or the Cutie Frame.

2-2b: Attach the Top Plate Bracket to the Stylus Bracket using (2) M6 x 55mm SBHCS and (2) M6 Hex Nuts.

Bracket Installation/ Pattern Perfect

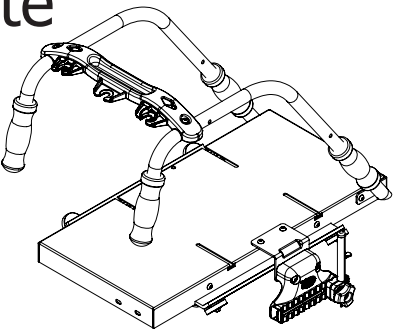
Step 3 - Choose Your Setup

15in Machine



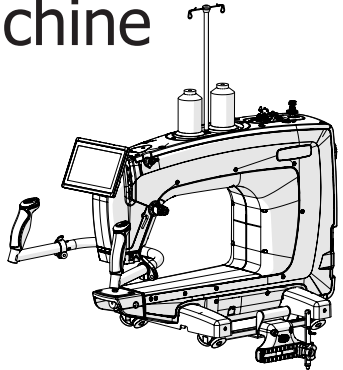
Go to page 10

Top Plate



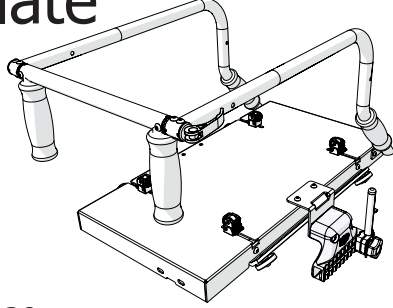
Go to page 19

16in Machine



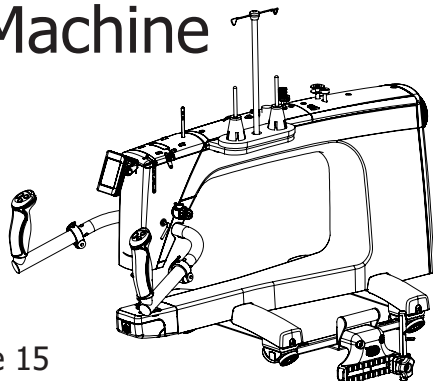
Go to page 13

Top Plate



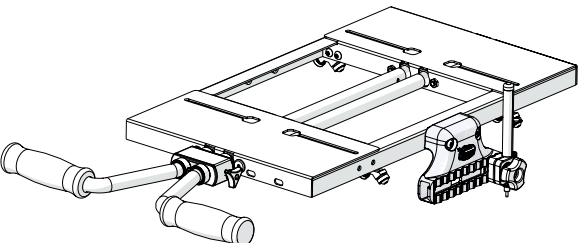
Go to page 20

19in Machine



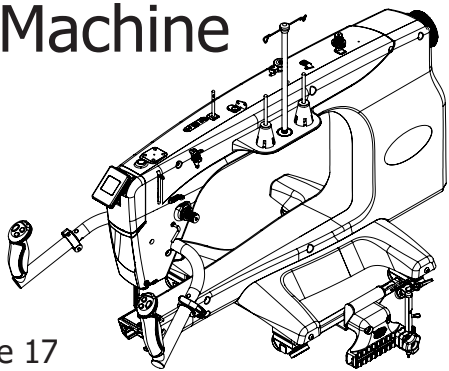
Go to page 15

Cutie Frame



Go to page 21

21in Machine

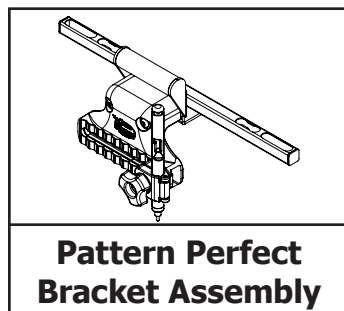


Go to page 17

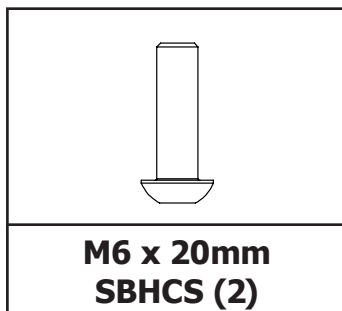
15in Machine / Pattern Perfect

Step 3- Pattern Perfect Installation

Parts Needed:



**Pattern Perfect
Bracket Assembly**

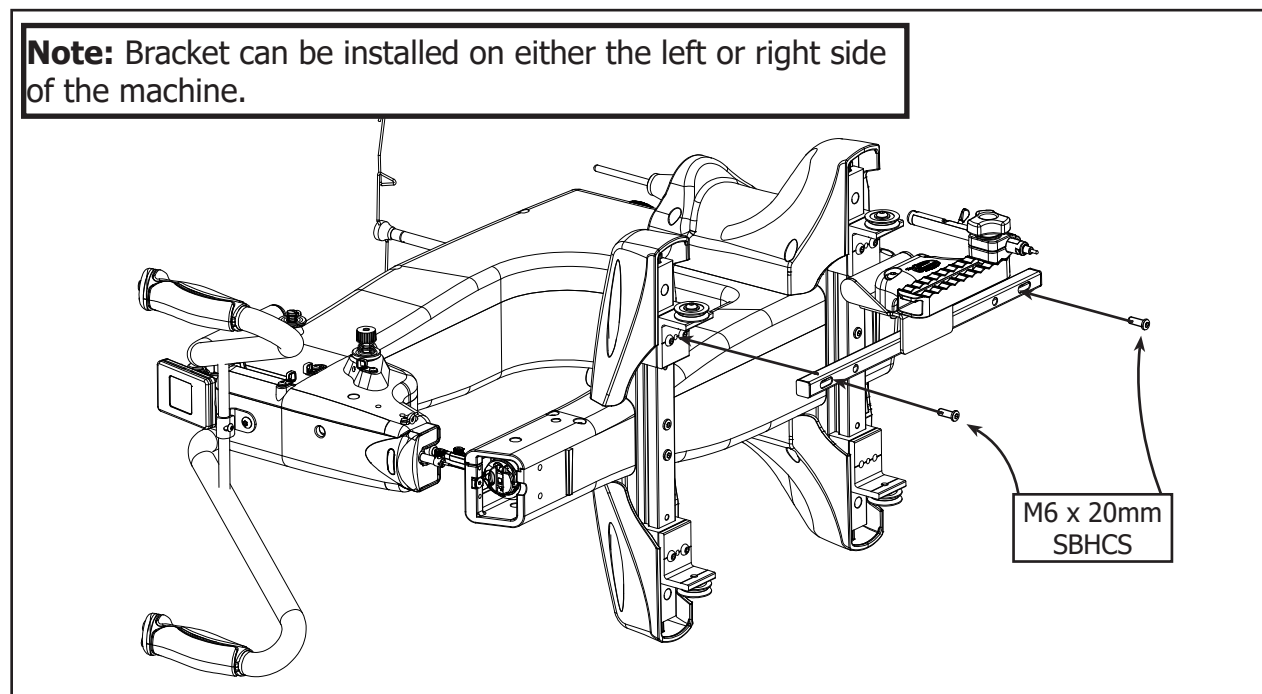


**M6 x 20mm
SBHCS (2)**

Tools Needed:

4mm Allen Wrench

Single Wheel Setup:

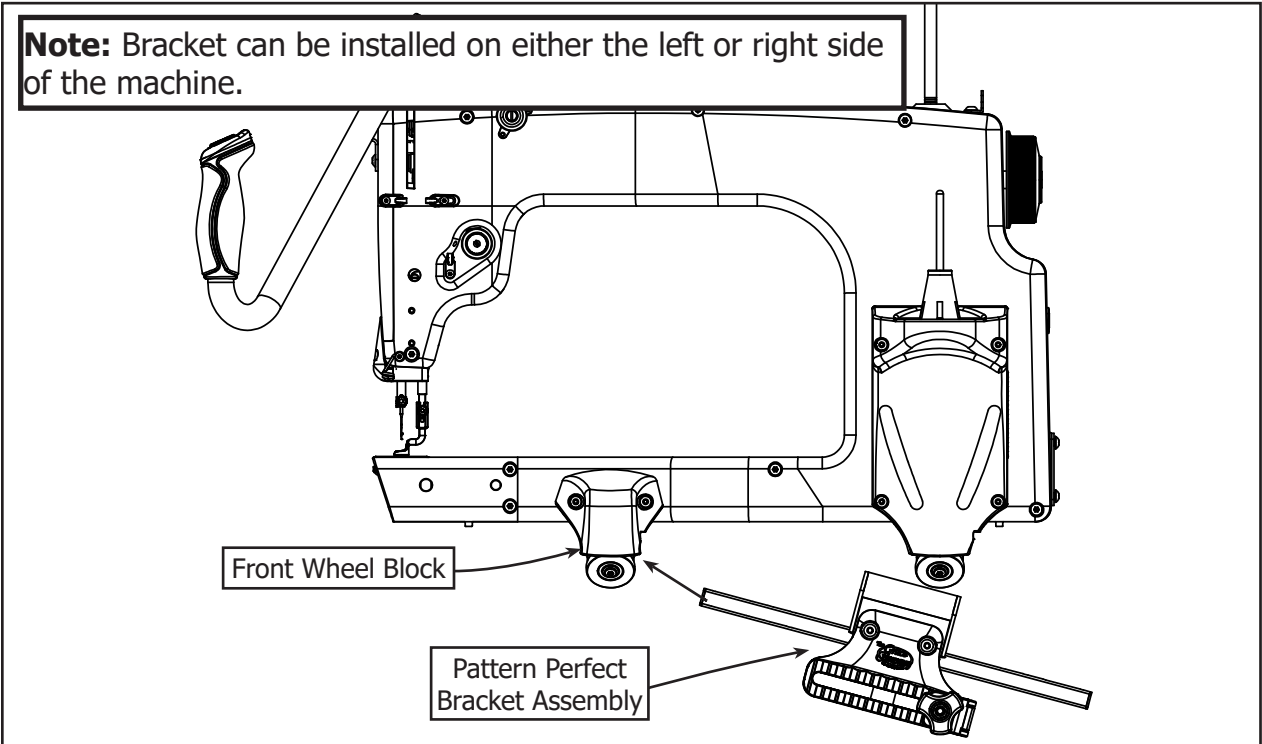


3-1a: Gently tip your Sewing Machine onto its side. Attach the Pattern Perfect Bracket Assembly using (2) M6 x 20mm SBHCS to machine as shown.

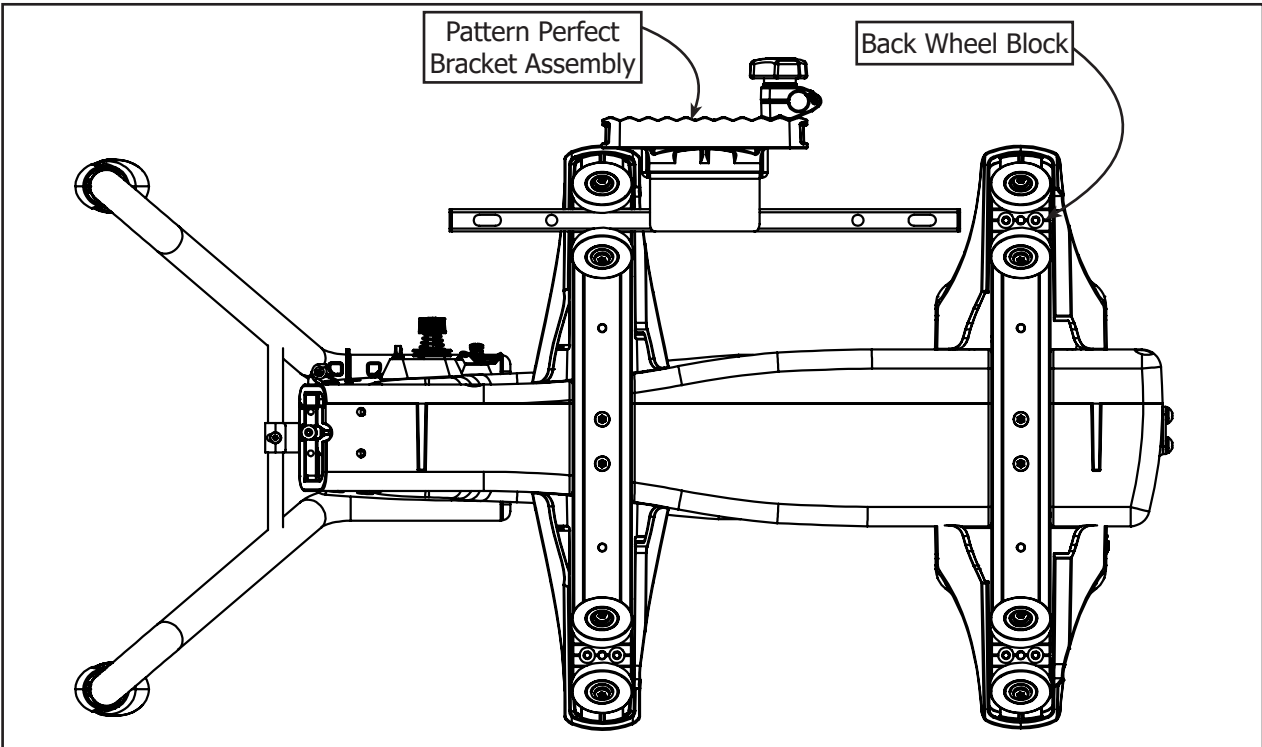
Note: For Dual Wheel Setup continue to step 2-1B.

15in Machine / Pattern Perfect

Dual Wheel Setup:

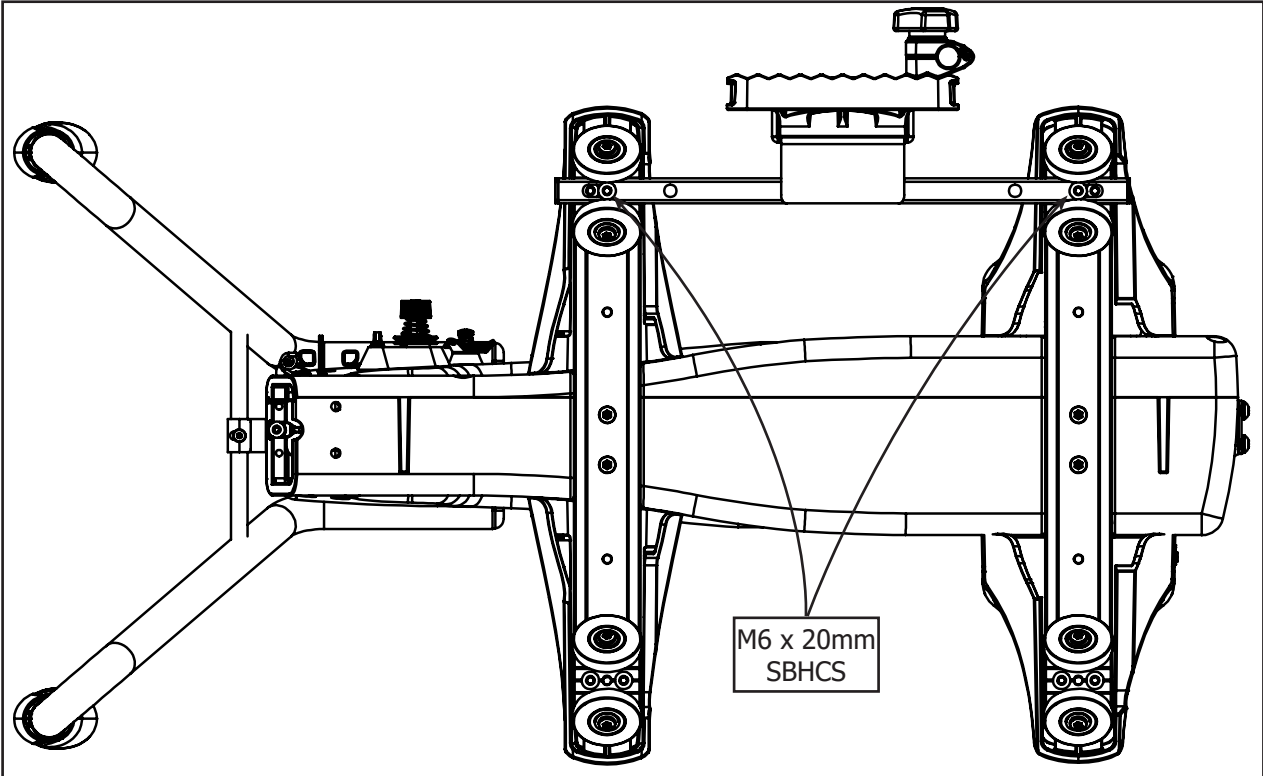


3-1b: Gently tip your sewing machine onto its side. Slide the Pattern Perfect Bracket Assembly in at an angle from the back of the Front Wheel Block as shown.



3-2: Slide the Pattern Perfect Bracket Assembly forward until you can place the other side in the Back Wheel Block.

15in Machine / Pattern Perfect

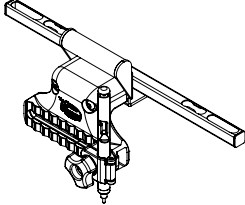



3-3: Line up the holes and attach the Pattern Perfect Bracket Assembly to the Wheel Blocks on your Sewing Machine using the (2) M6 x 20mm SBHCS.

16in Machine / Pattern Perfect

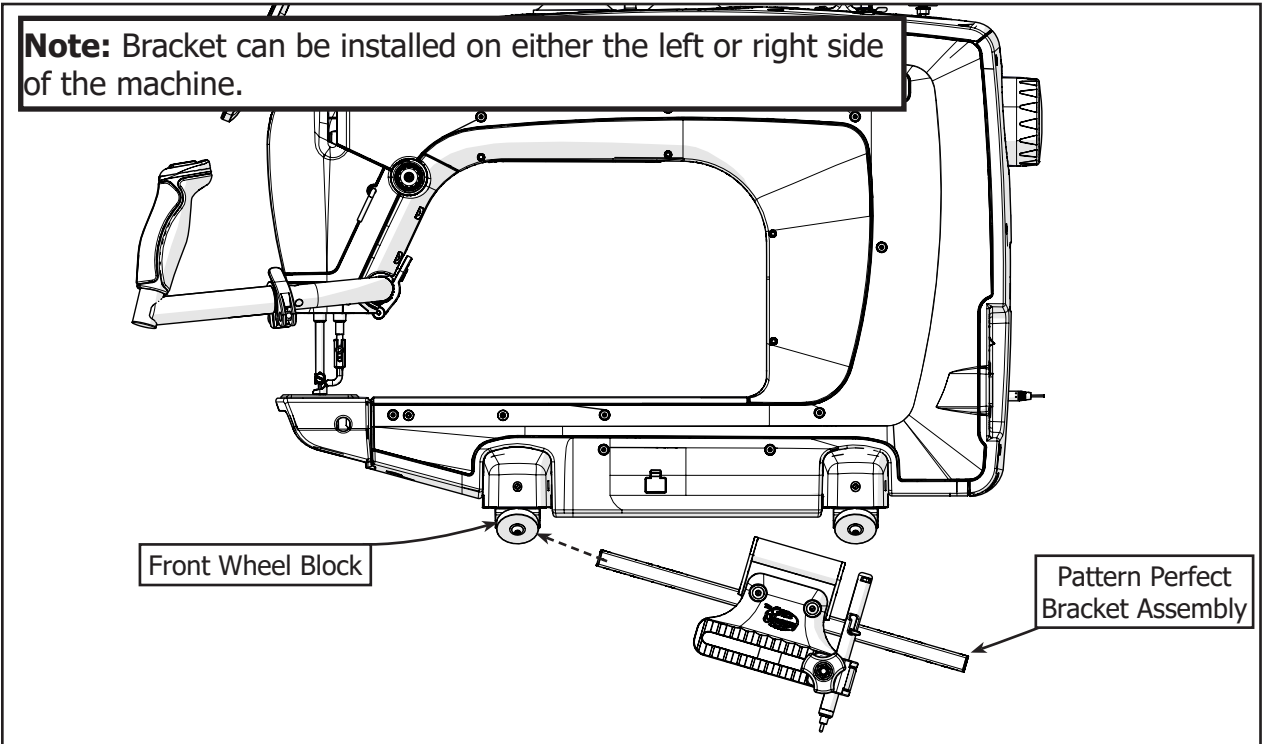
Step 3- Pattern Perfect Installation

Parts Needed:

	
Pattern Perfect Bracket Assembly	M6 x 20mm SBHCS (2)

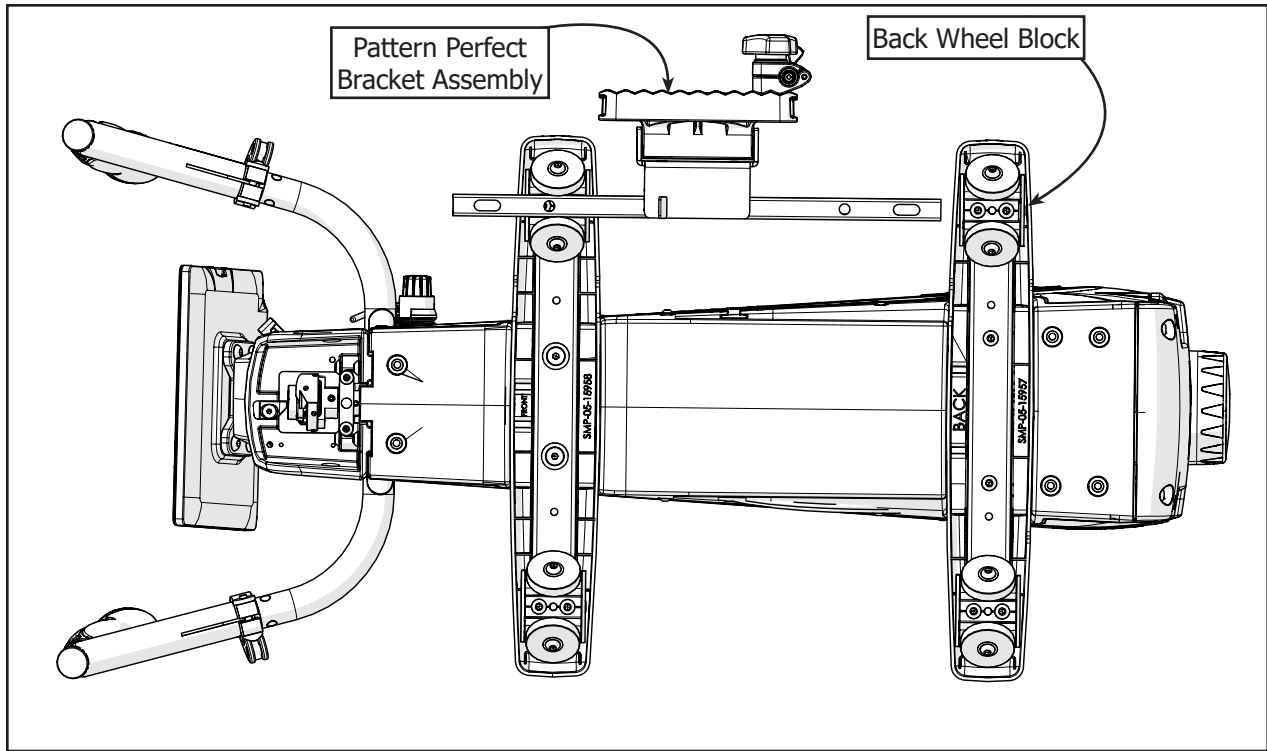
Tools Needed:

4mm Allen Wrench

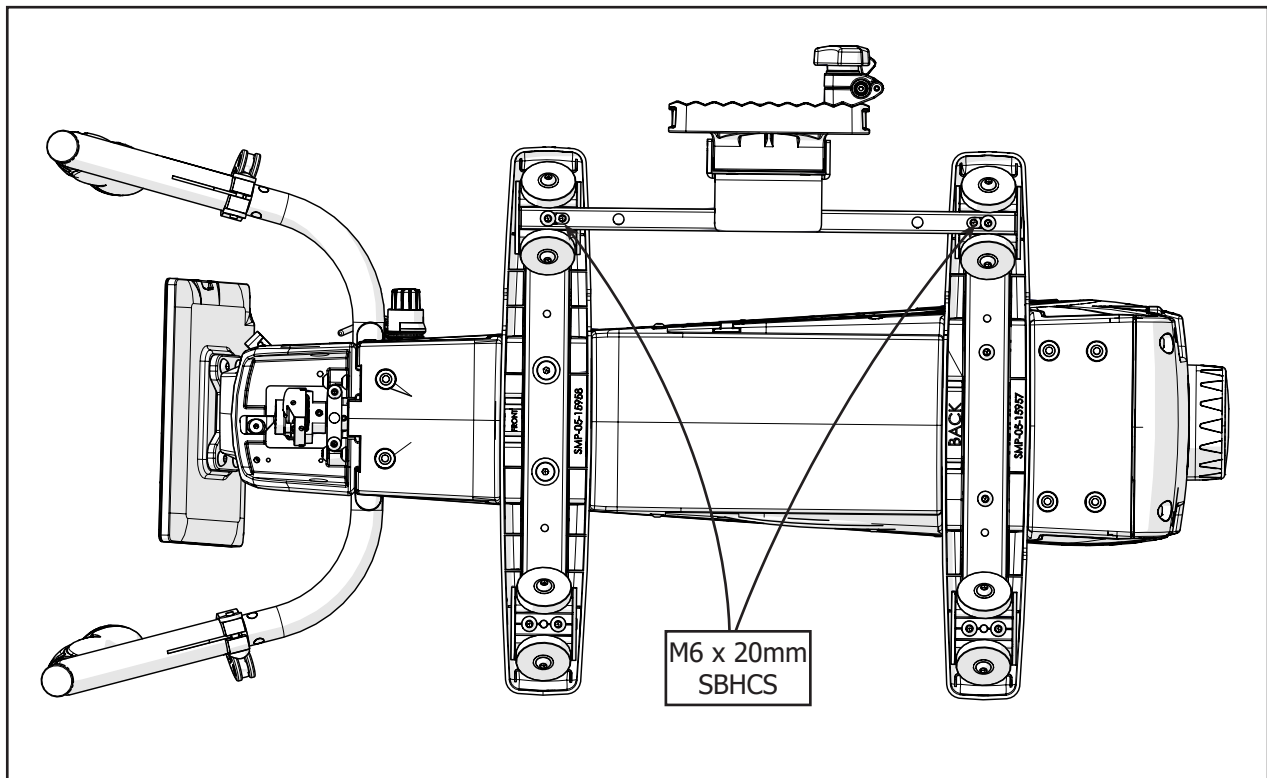


3-1: Gently tip your sewing machine onto its side. Slide the Pattern Perfect Bracket Assembly in at an angle from the back of the Front Wheel Block as shown.

16in Machine / Pattern Perfect



3-2: Slide the Pattern Perfect Bracket Assembly forward until you can place the other side in the Back Wheel Block.

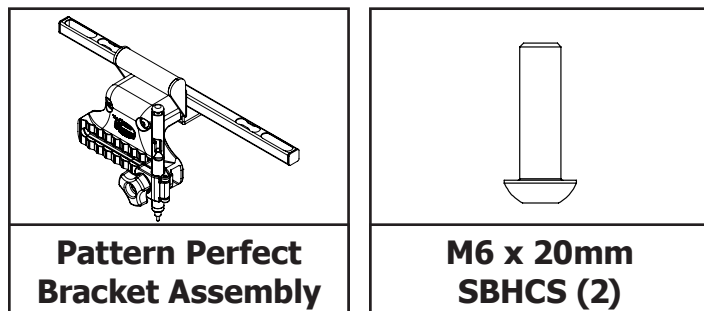


3-3: Line up the holes and attach the Pattern Perfect Bracket Assembly to the Wheel Blocks on your Sewing Machine using the (2) M6 x 20mm SBHCS.

19in Machine / Pattern Perfect

Step 3 - Pattern Perfect Installation

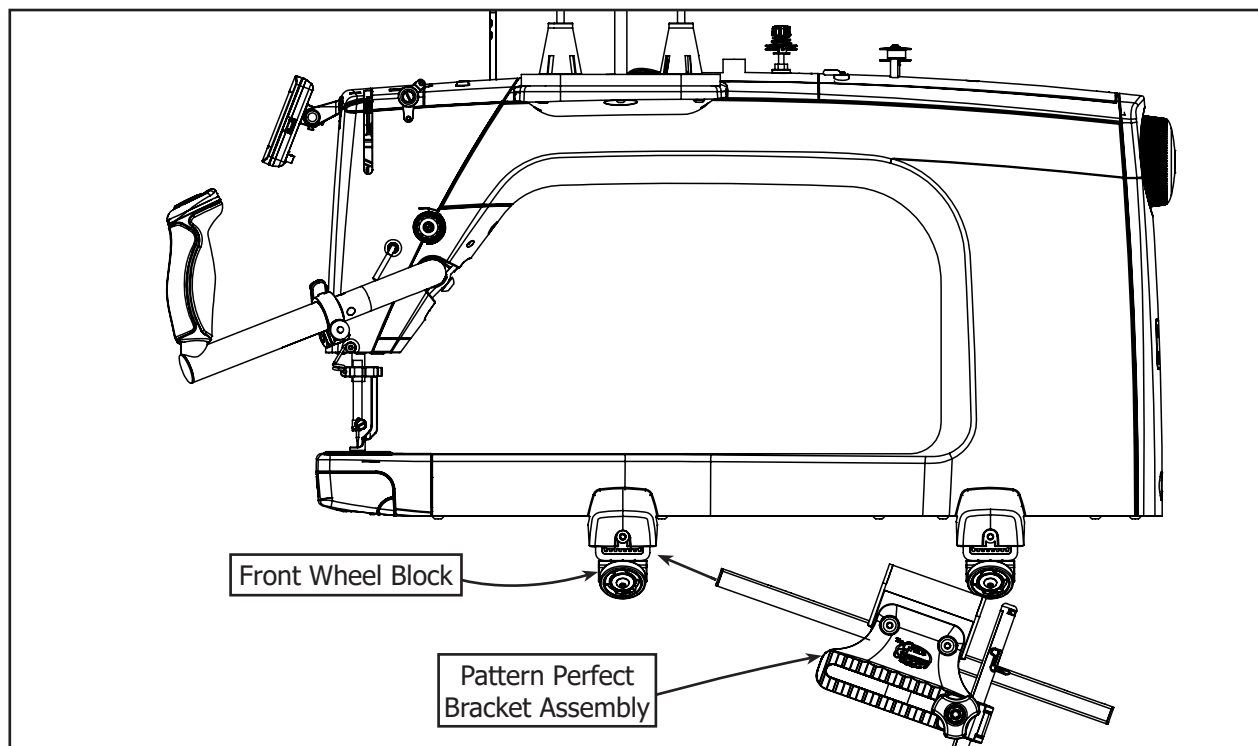
Parts Needed:



Tools Needed:

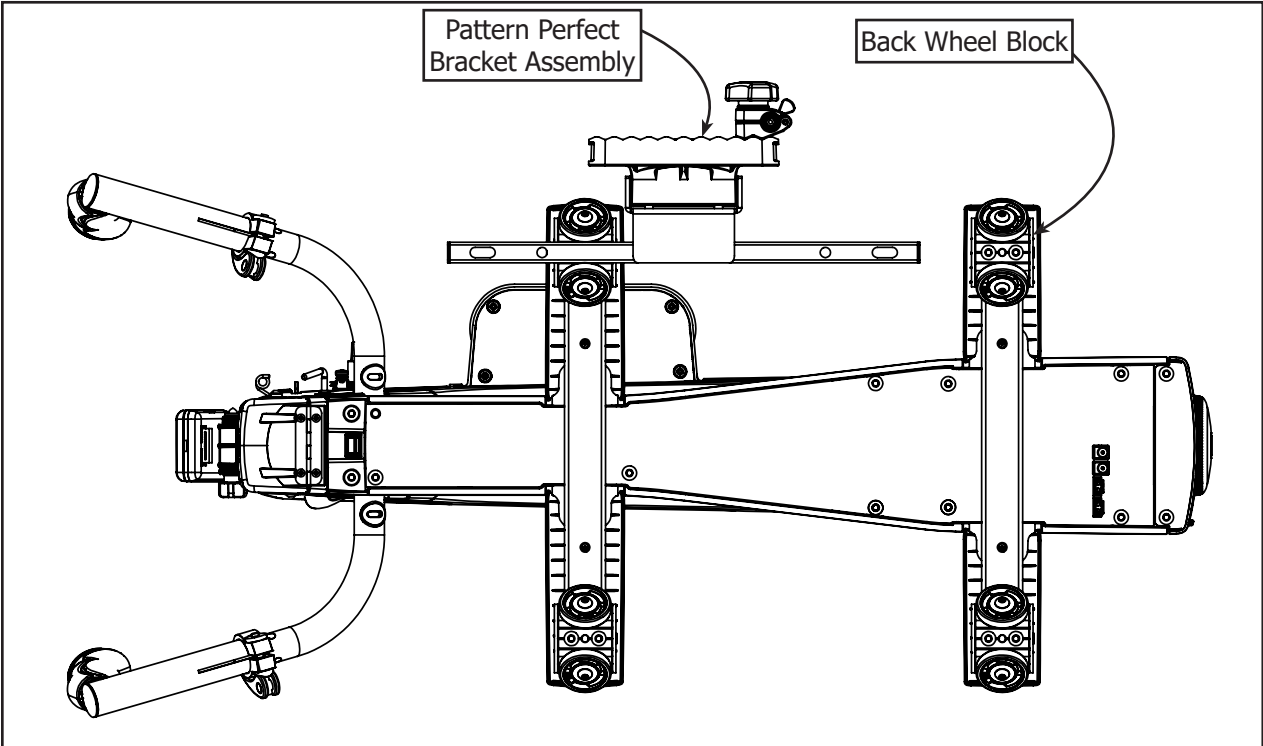
- 4mm Allen Wrench

Note: Bracket can be installed on either the left or right side of the machine.

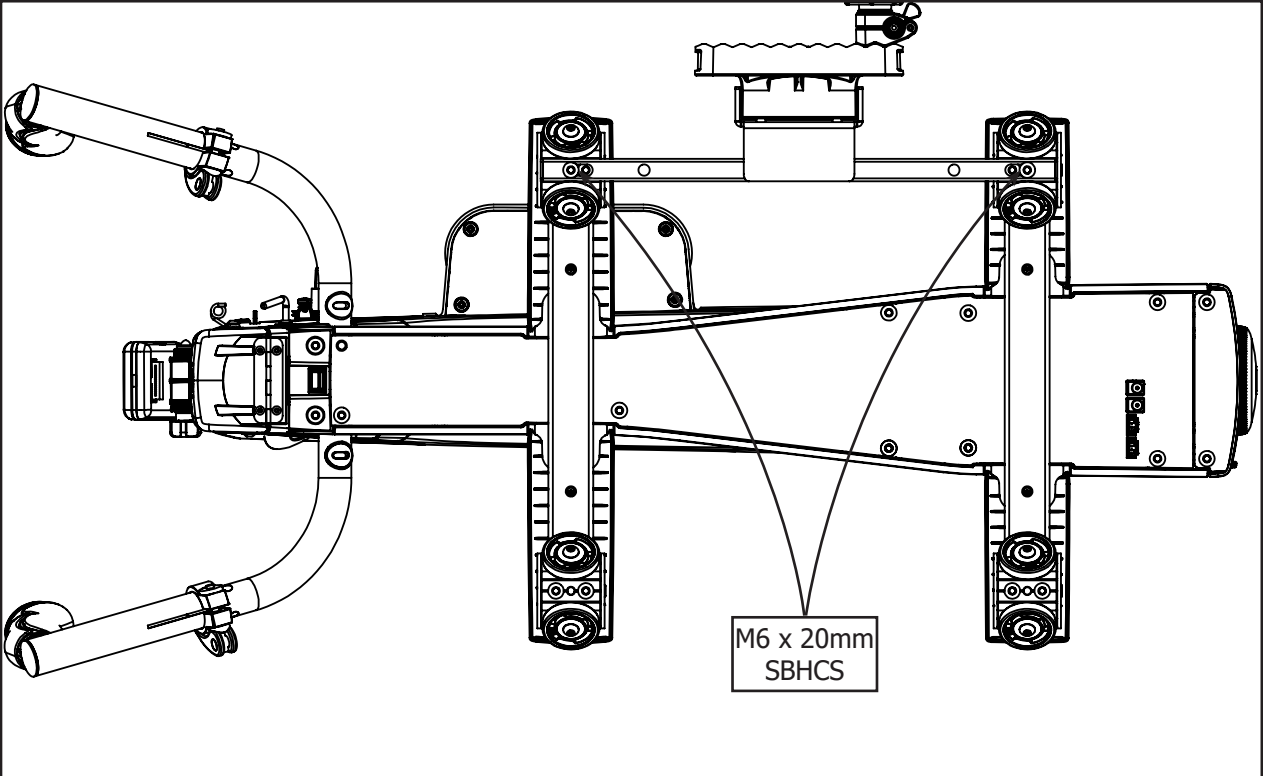


3-1: Gently tip your sewing machine onto its side. Slide the Pattern Perfect Bracket Assembly in at an angle from the back of the Front Wheel Block as shown.

19in Machine / Pattern Perfect



3-2: Slide the Pattern Perfect Bracket Assembly forward until you can place the other side in the Back Wheel Block.

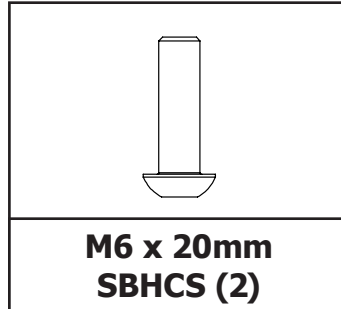
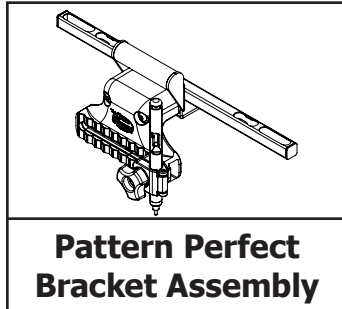


3-3: Line up the holes and attach the Pattern Perfect Bracket Assembly to the Wheel Blocks on your Sewing Machine using the (2) M6 x 20mm SBHCS.

21in Machine / Pattern Perfect

Step 3- Pattern Perfect Installation

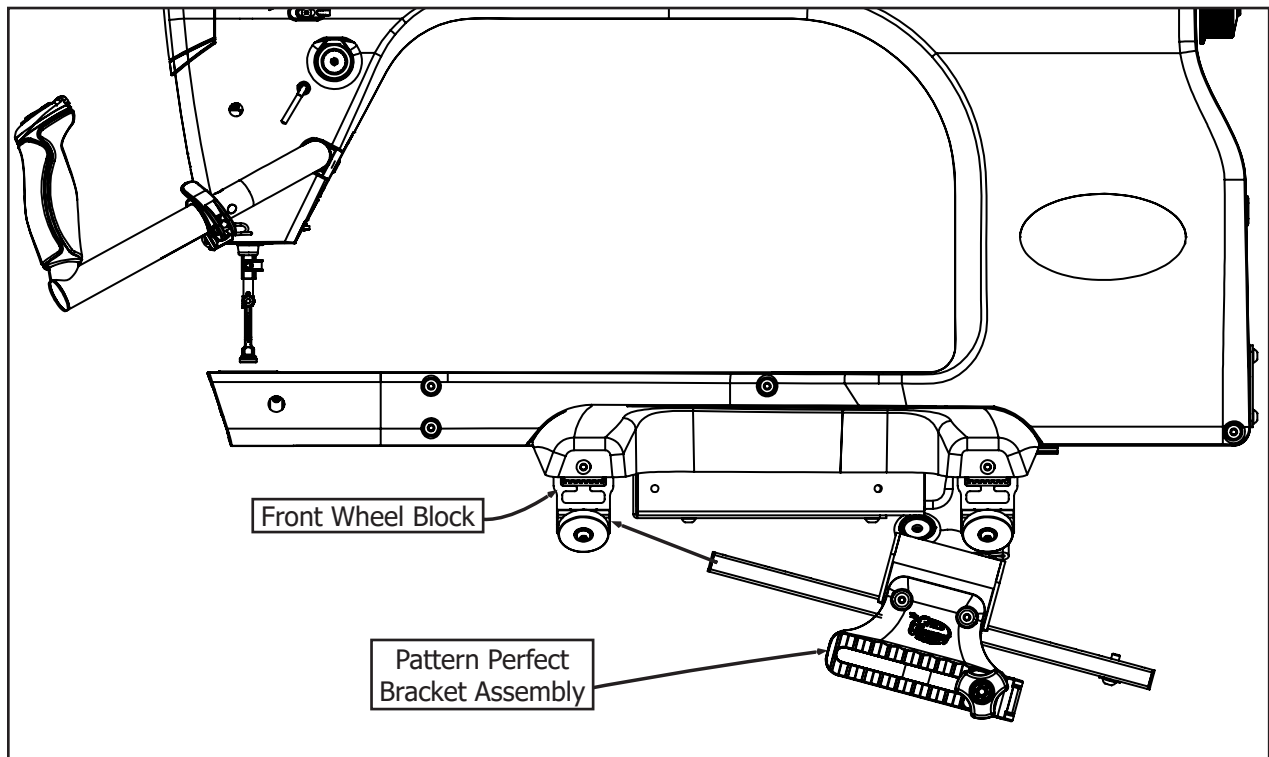
Parts Needed:



Tools Needed:

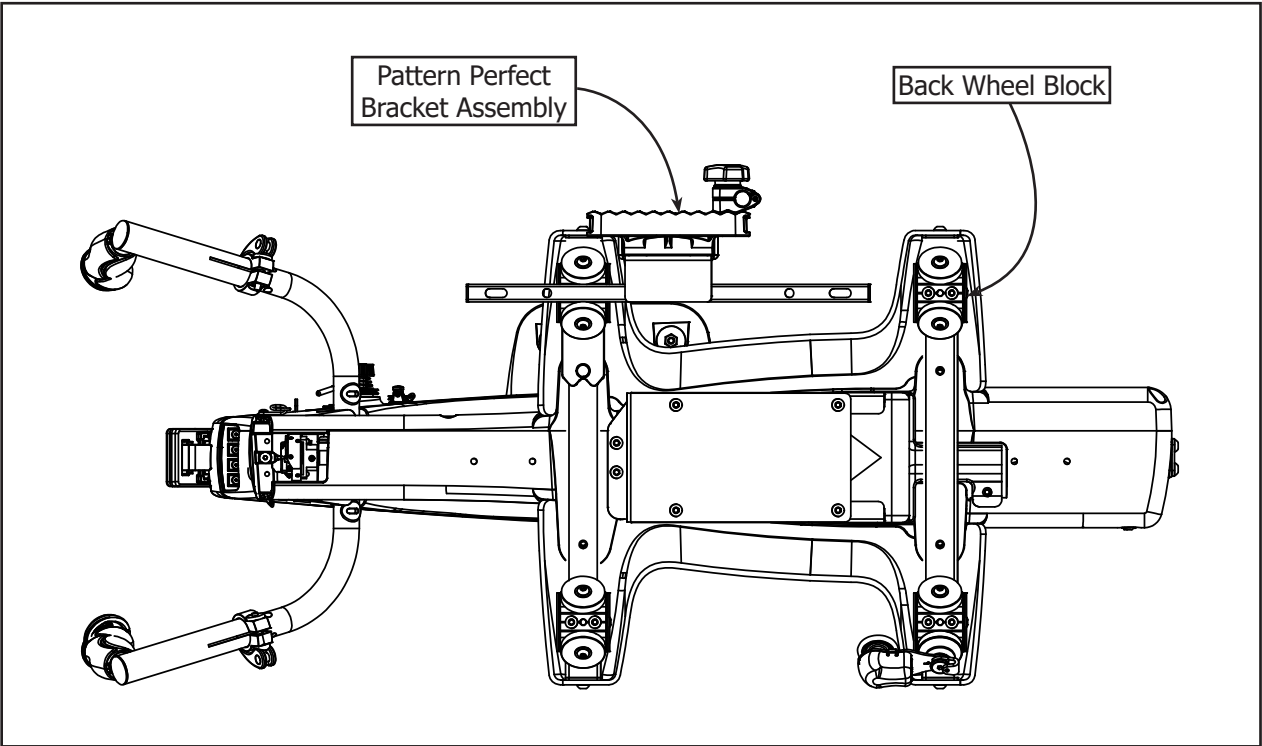
4mm Allen Wrench

Note: Bracket can be installed on either the left or right side of the machine.

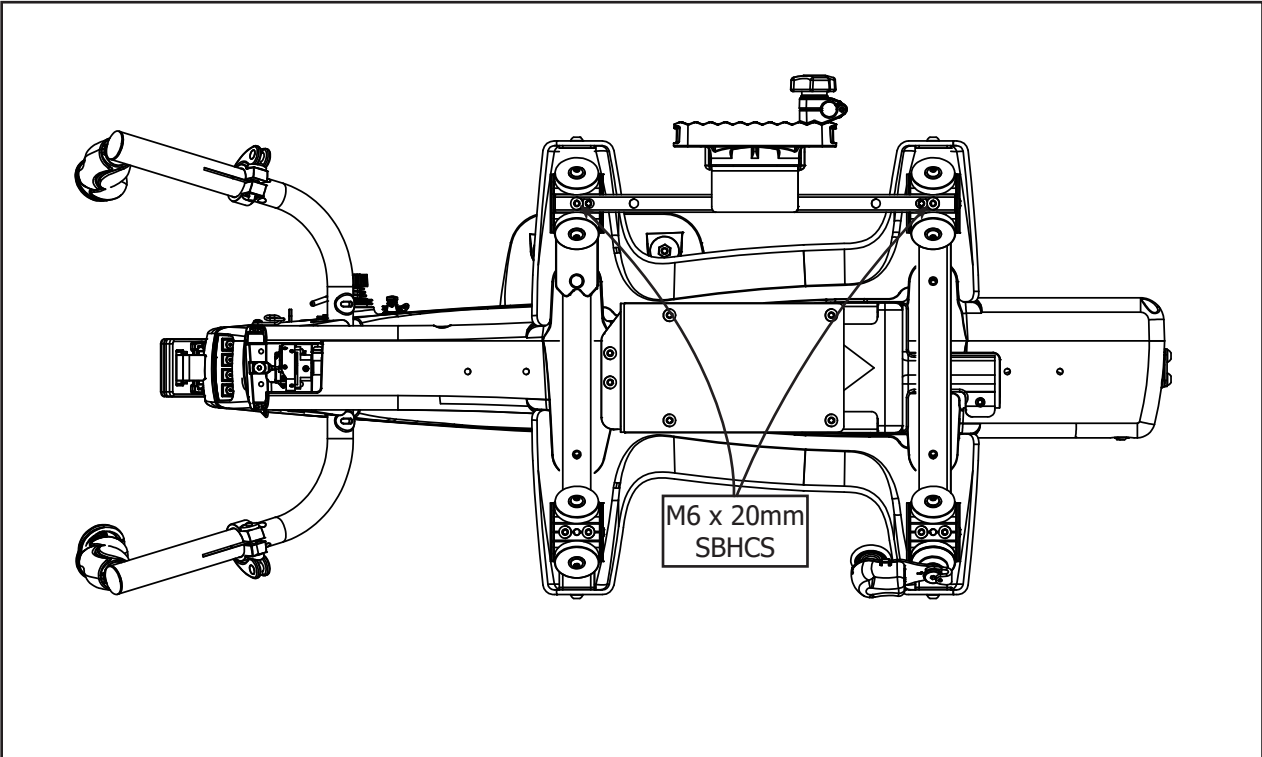


3-1: Gently tip your machine into its side. Slide the Pattern Perfect Bracket Assembly in at an angle from the back of the Front Wheel Block as shown.

21in Machine / Pattern Perfect



3-2: Slide the Pattern Perfect Bracket Assembly forward until you can place the other side in the Back Wheel Block.

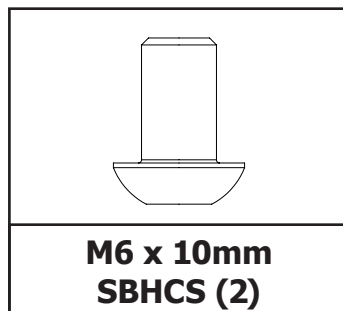
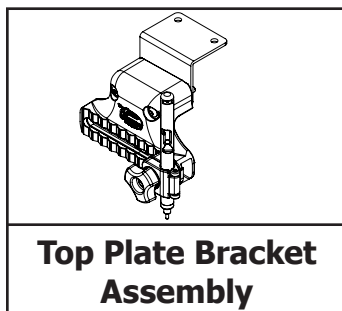


3-3: Line up the holes and attach the Pattern Perfect Bracket Assembly to the Wheel Blocks on your Sewing Machine using the (2) M6 x 20mm SBHCS.

G-Series 1 / Pattern Perfect

Step 3 - Pattern Perfect Installation

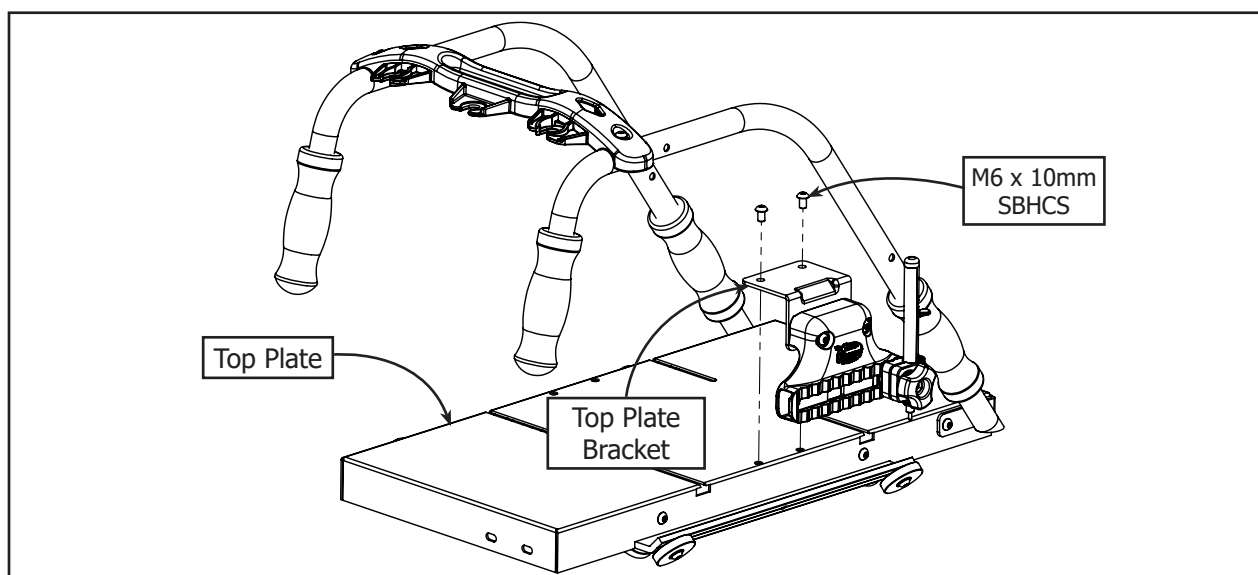
Parts Needed:



Tools Needed:

4mm Allen Wrench

Note: Bracket can be installed on either the left or right side of the machine.

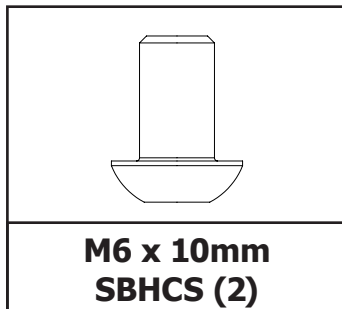
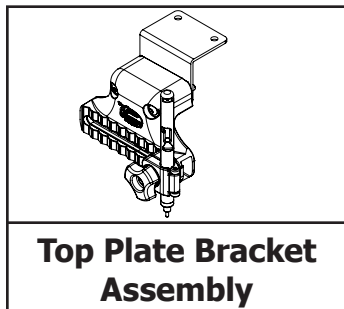


3-1A: Line up the holes on the Top Plate Bracket Assembly with the holes on either the left or right side of the Top Plate. Secure the Top Plate Bracket Assembly to the Top Plate using (2) M6 x 10 mm SBHCS and a 4 mm Allen Wrench.

G Series 2 / Pattern Perfect

Step 3 - Pattern Perfect Installation

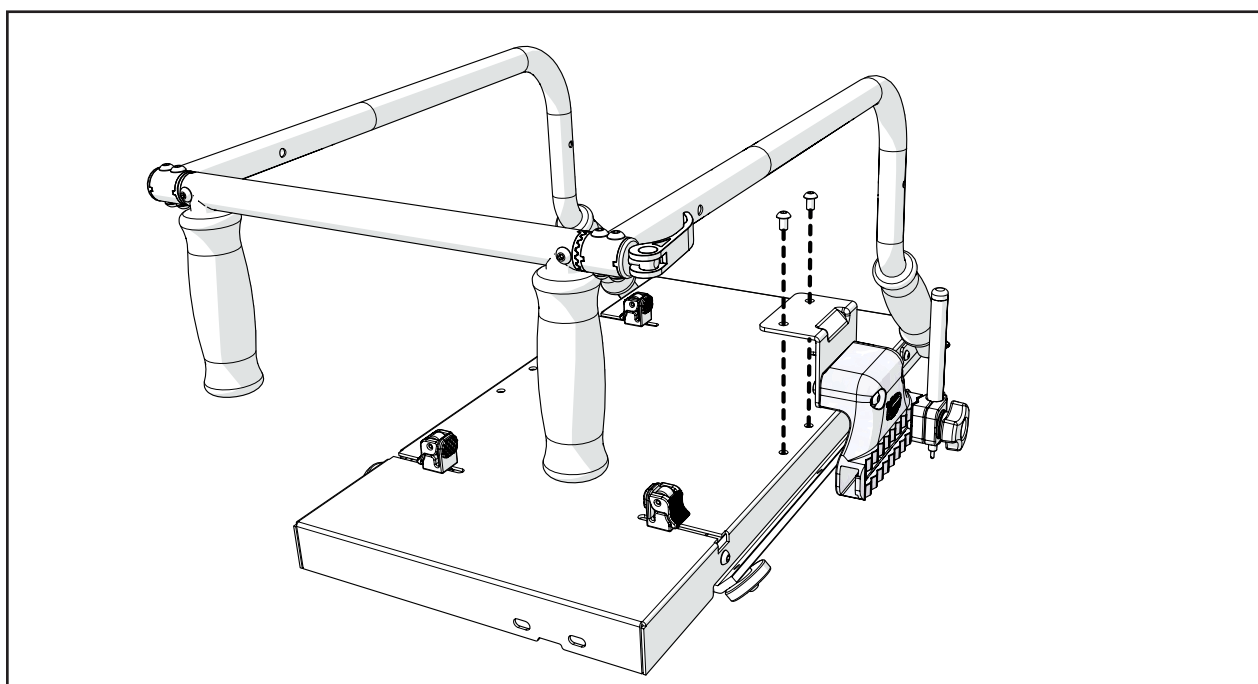
Parts Needed:



Tools Needed:

4mm Allen Wrench

Note: Bracket can be installed on either the left or right side of the Top Plate.

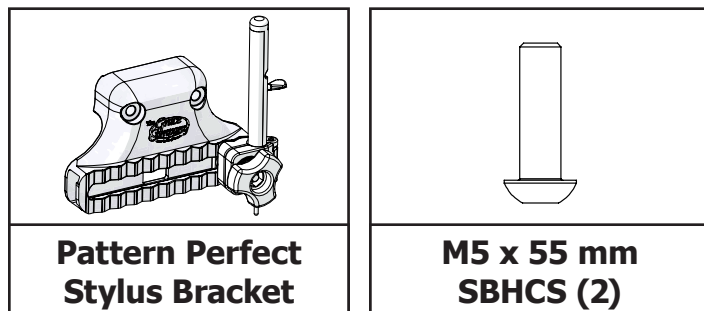


3-1A: Line up the holes on the Top Plate Bracket Assembly and the right side of the Top Plate. Secure the Top Plate Bracket Assembly to the Top Plate using (2) M6 x 10mm SBHCS.

Cutie Frame / Pattern Perfect

Step 2- Pattern Perfect Installation

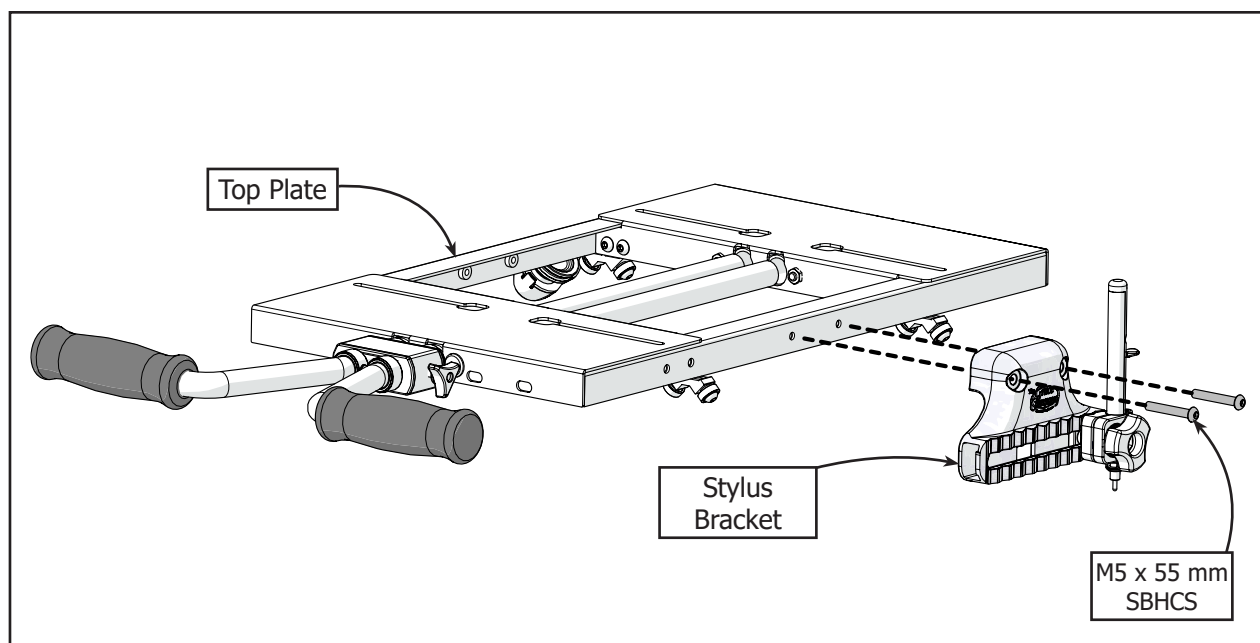
Parts Needed:



Tools Needed:

- 3 mm Allen Wrench

Note: Bracket can be installed on either the left or right side of the Top Plate.



2-1A: Line up the holes on the Stylus Bracket and the right side of the Top Plate. Secure the Stylus Bracket to the Top Plate using (2) M5 x 55 mm SBHCS and the 3 mm Allen Wrench.

User Tips / Pattern Perfect

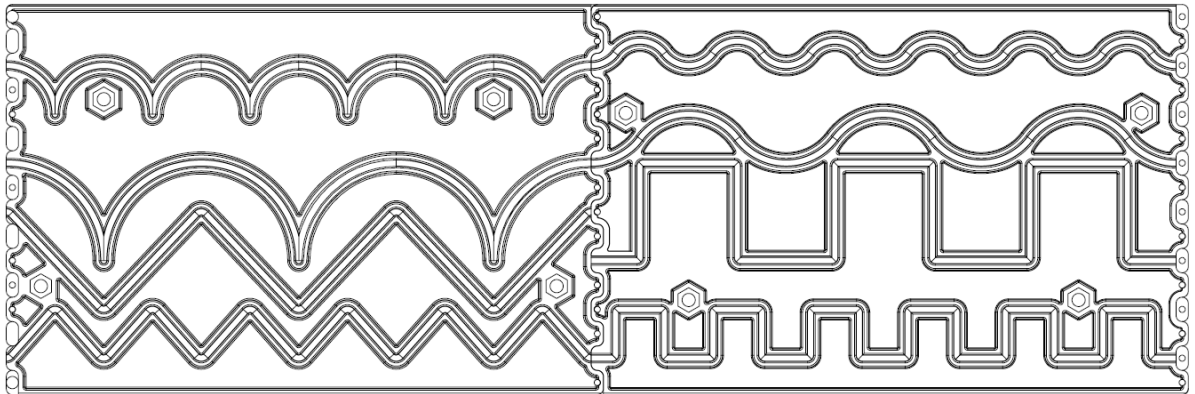
- If using the Cutie tabletop frame on a counter, trace the patterns gently to avoid sliding the plastic templates. The Cutie Table and Leg accessory allows you to bolt down the anti-slip pad and there is less chance of template slippage.

- You can create different pattern designs/combinations by offsetting individual templates. Combine patterns from either side of the templates (see example #1), or stagger the templates to line up different from the same or different sides (see example #2).

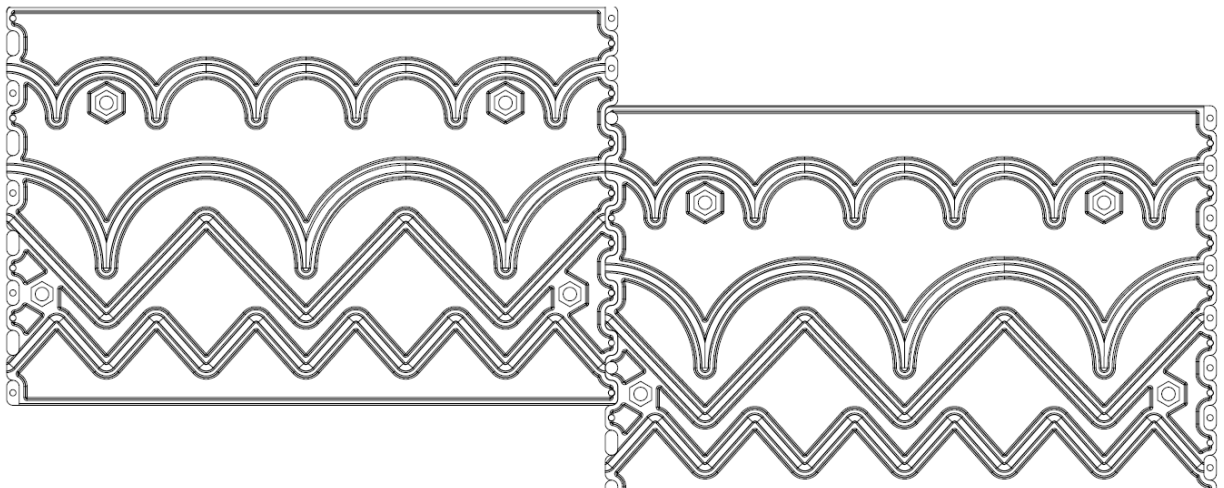
- You can also index the Stylus in 1/2 inch increments, which allows you to offset patterns on your quilt or switch to different patterns on the templates.

(See reverse for examples of offset patterns)

Example #1



Example #2

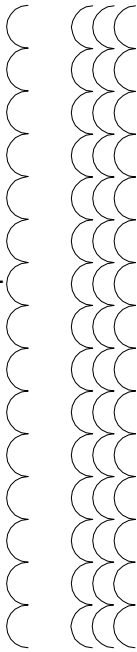


User Tips / Pattern Perfect

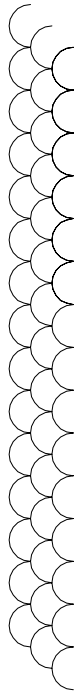
Template Guide Example Patterns

Each pattern is created using the same principles. By moving the stylus forward or back and the template right or left incrementally at the beginning of each pass, numerous different patterns can be created. Combining series of combinations of the designs can also create an infinite number of different patterns.

4 Inch Scallop

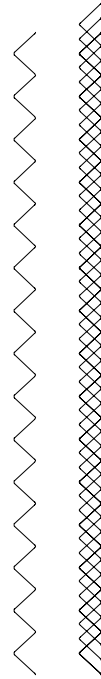


1. Begin at the left side of your quilt with the stylus as far forward as possible.
2. Next move the stylus 2" (4 notches) back and begin tracing the pattern moving left (This will move the machine 2" forward where you will begin sewing)
3. Repeat the last step when you reach the left side of the pattern.
4. When you finish the third step and have arrived at the right side of the pattern again, reset the stylus to the starting position and begin the process over again, this time beginning from the right side of the quilt.



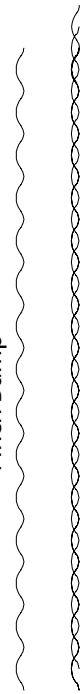
This pattern is created by moving the stylus back 2" (4 notches) and shifting the template over 2" after each pass.

4 Inch V Pattern



This pattern is created by shifting the template to 1" after each pass.

4 Inch Bump



This pattern is created by shifting the template 2" after each pass.



This pattern is created by moving the stylus 2" (4 notches) and shifting the template over 2" after each pass.

Large & Small Scallop Combination



To create this pattern begin both patterns at the same point. Then repeat the previous step 2" forward from the starting point.

Small Bump & Large V Combination



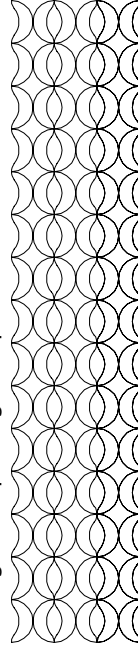
To create this pattern begin both patterns at the same point. Then repeat the previous step 2" forward and 2" from the starting point.

Small V & Small Scallop V Combination



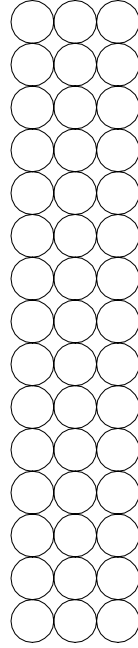
To create this pattern begin the scallop pattern 1" forward and 1" from the starting point of the small V pattern. Then repeat the previous step 2" forward from the starting point.

Large Scallop & Large Bump Reversed Combination



To create this pattern begin the patterns at the same point. Rotate the pattern and repeat the two patterns beginning 4" forward from the start point. Continue by repeating the previous steps.

Large Scallop Reversed Combination



To create this pattern begin the first and second pass at the same point. Rotate the pattern for the second pass. Repeat the previous steps beginning 4" inches forward from the start point of the first pass.

The Grace Company
2225 South 3200 West
Salt Lake City, UT 84119
Phone: 1-800-264-0644
Fax: 801-908-8888
www.graceframe.com