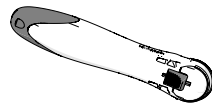


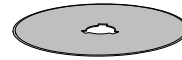
StraightCut

Included Parts

(Some parts pre-assembled)



Handle
TC-09-1462



28 mm Blade
TC-08-1101



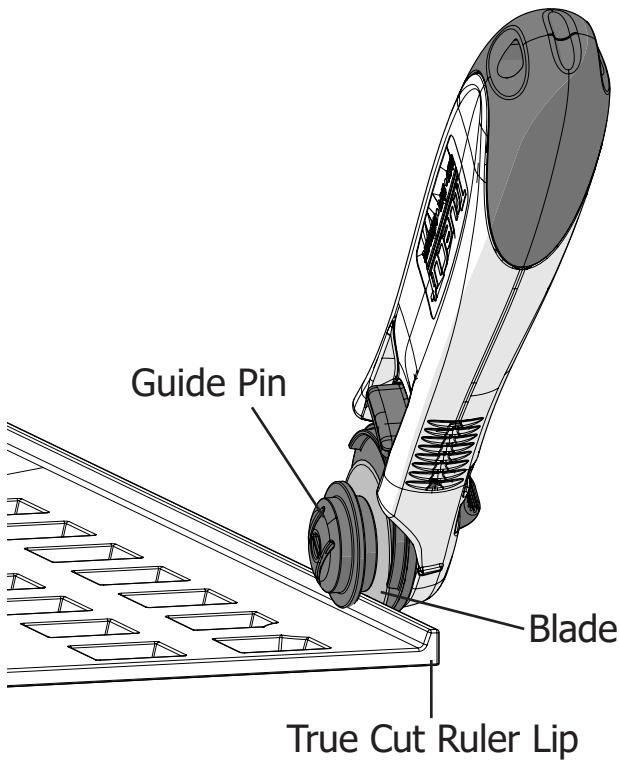
Ruler Guide Pin
TC-05-1510



Pin
TC-05-1509

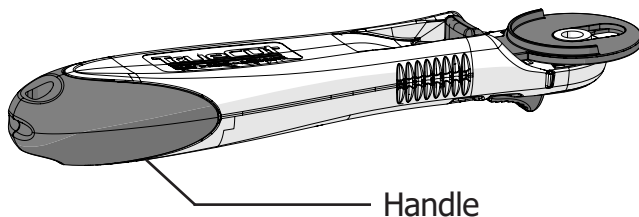
TrueCut

EASY • SAFE • ACCURATE

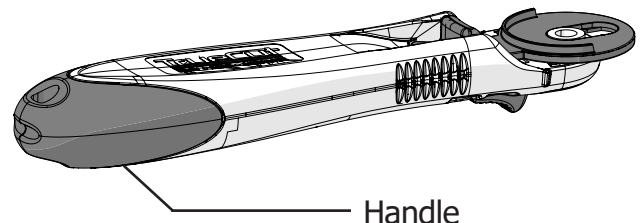
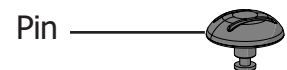


Configurations

Can be set up with or without the ruler guide.



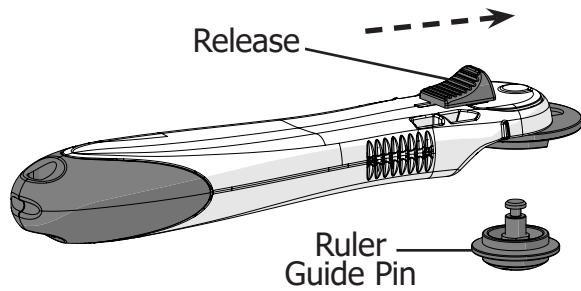
Pictured: With Ruler Guide



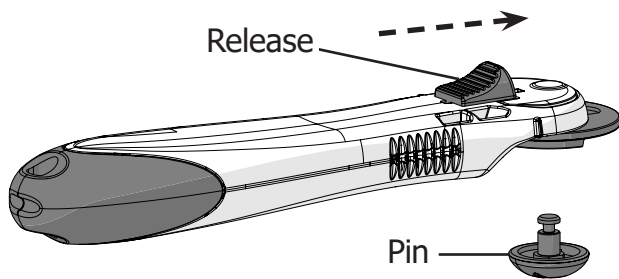
Pictured: Without Ruler Guide

Changing the Blade

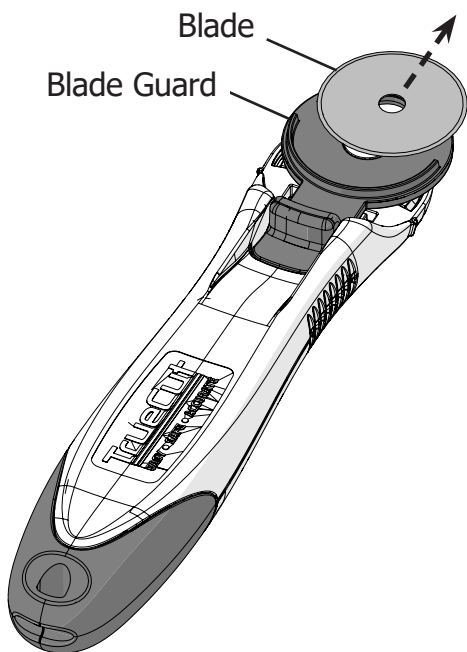
- 1 Push out the **release** to drop the **pin**.



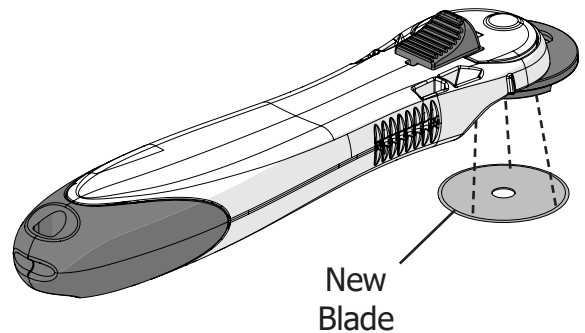
OR



- 2 Carefully slide the **blade** off the **blade guard**.



- 3 Position the handle over the **new, sharp blade**. The magnet will pick it up.



- 4 Press the **pin** into the handle until it clicks in place.

