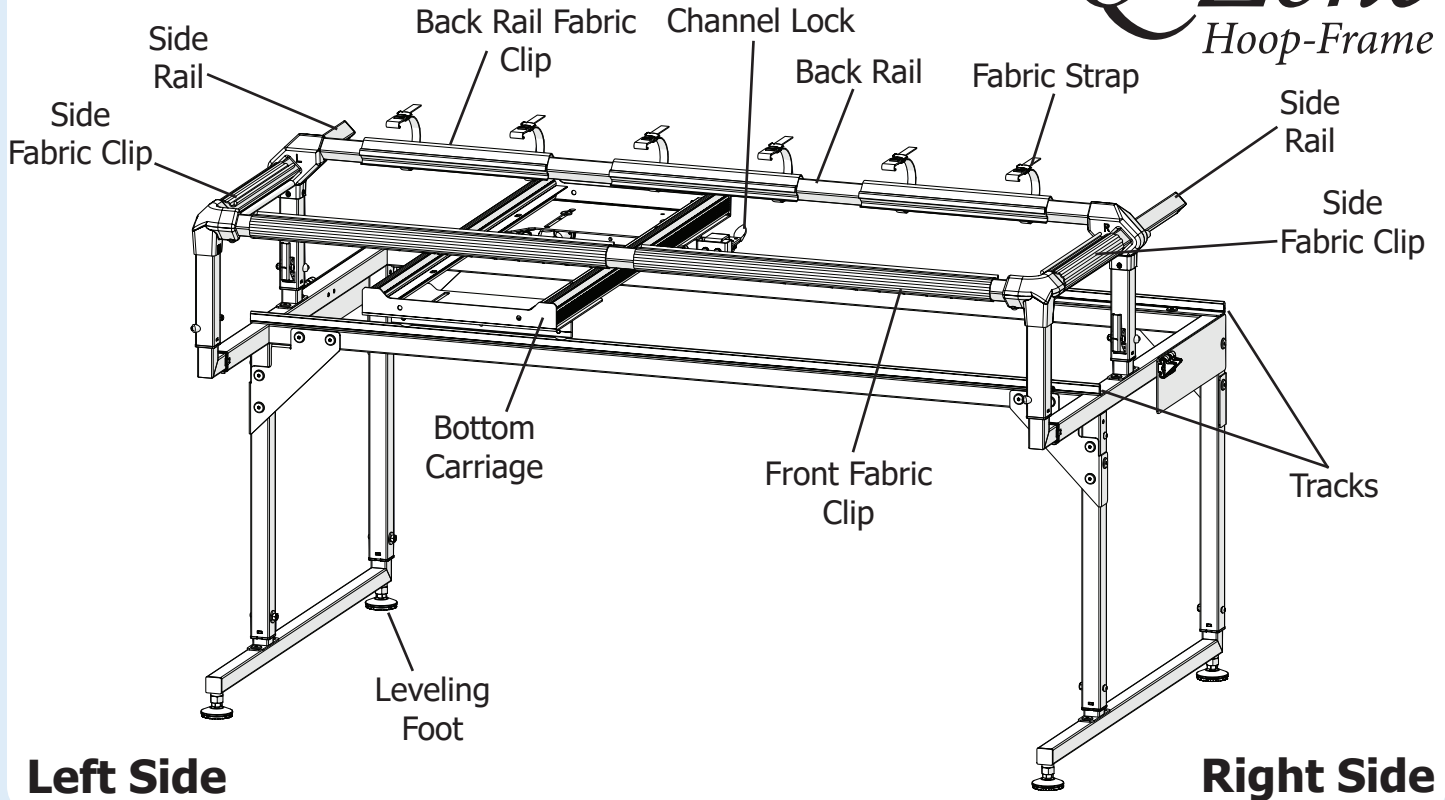


○ Parts of the Frame

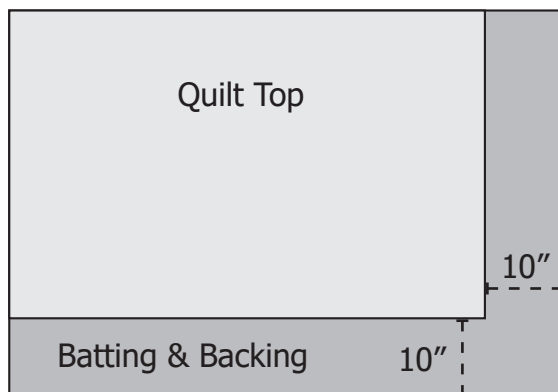
Q-Zone
Hoop-Frame



Starting a New Project?

1. Ensure your frame is level.
2. Measure your quilt top.
3. Make your quilt sandwich (see below).
4. Check your rail height.
5. Wipe down the tracks on the frame and bottom carriage with a lint-free cloth.
6. Wipe down the bottom carriage wheels and your quilting machine or top plate wheels.
7. Attach your fabric to the frame (see Loading Frame on reverse side).
8. Tack down your quilt at the edge of the quilt top.
9. Tack down test fabric to the side of your quilt (see frame instructions for details).
10. Test stitch tension in test fabric.

Quilt Dimensions



Recommended sizing:
Backing: 10" larger than the quilt-top, or 22"--whichever is larger.
Batting: Same size as backing.

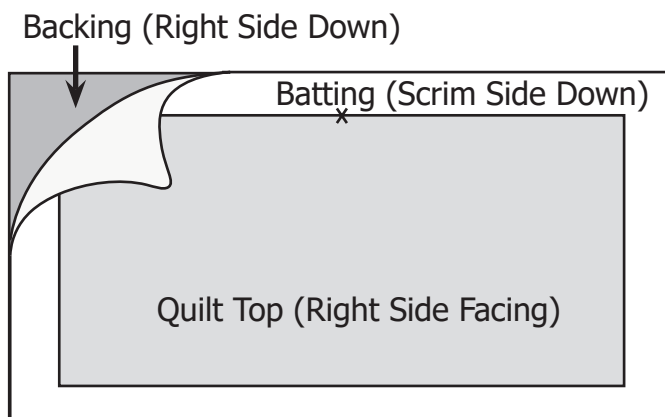
Note: If using cloth leaders, see directions for alternative sizing.

Record the measurements of your quilt here in wet-erase marker:

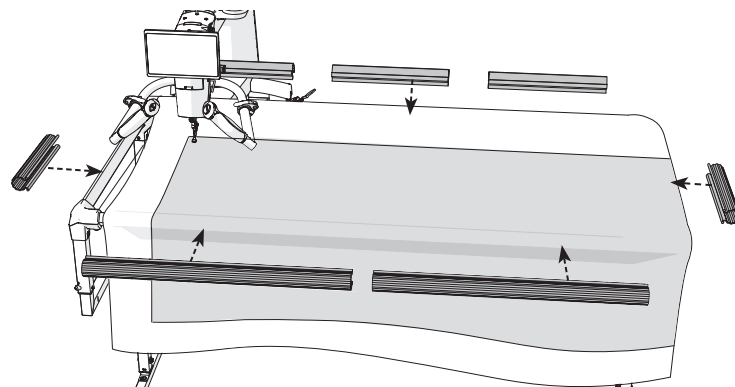
Top: _____ x _____
 Batting: _____ x _____
 Backing: _____ x _____

Loading Fabric

- 1 Build your quilt sandwich:
 - a. Place the backing right-side down.
 - b. Place the batting on top of the backing, scrim (smooth) side down.
 - c. Center quilt top over the batting, right-side facing up.



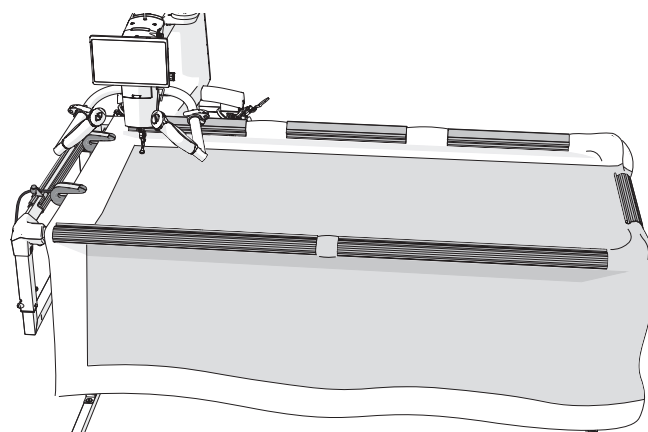
- 2 Place your quilt onto the frame and position it so the top-left corner of your quilt-top is under the hopping foot.



- 3 While keeping the quilt free of wrinkles, install the fabric clamps on the rails.

- 4 If needed, use the fabric bungees to tension and hold the side of your quilt.

- 5 Starting from the bottom left corner of the quilt-top, tack down the left and top edge of the quilt.

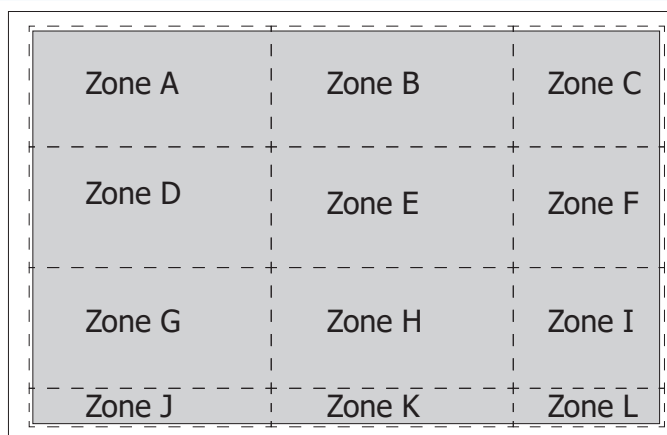


Note: See frame instruction manual for more details on fabric installation.

Moving Fabric

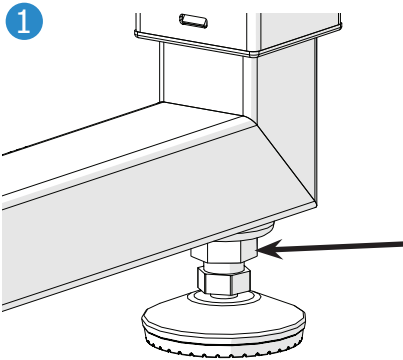
When you're finished with the available quilting space, it's time to move the quilt to the next zone.

- 1 Remove the fabric straps, bungees, and clips.
- 2 Move the quilt so the next quilting zone is within the reach of the sewing machine.
- 3 Secure the quilt with the fabric straps, clips, and bungees if needed.

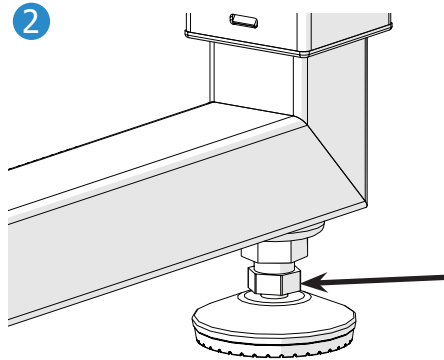


Leveling Frame

If you notice an area of pulling or tugging where the machine hits a low spot in the frame, adjust the height of the leveling feet to smooth it out.

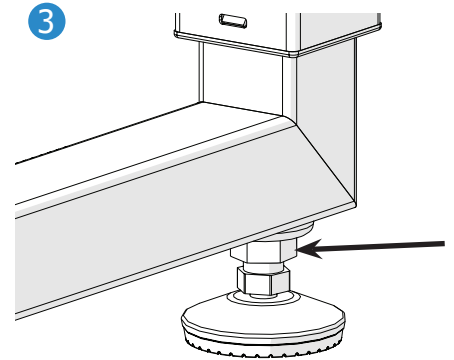


Loosen the top nut on the leveling foot with the 17 mm Open-end wrench.



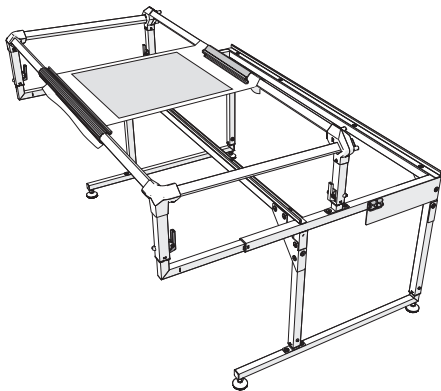
Adjust the bottom nut with the 14 mm Open-end wrench until the desired height is set.

- **To Lower:** Turn counter-clockwise.
- **To Raise:** Turn clockwise.



Tighten the top nut with the 17 mm Open-end wrench until it is firm against the frame leg to prevent the height from slipping over time.

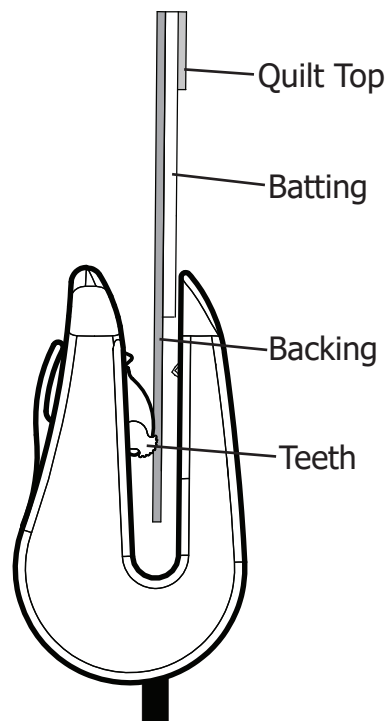
Tips & Tricks



Use leftover fabric from your quilt top and make a small practice quilt.

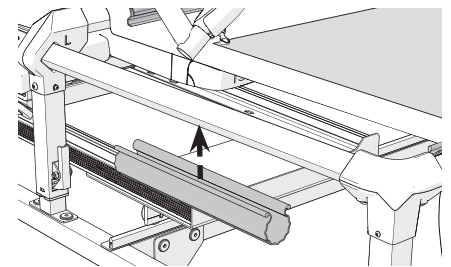
After every bobbin change, pop the practice quilt onto the frame and set your stitch tension before stitching into your work in progress.

You can also practice stitching out patterns this way.

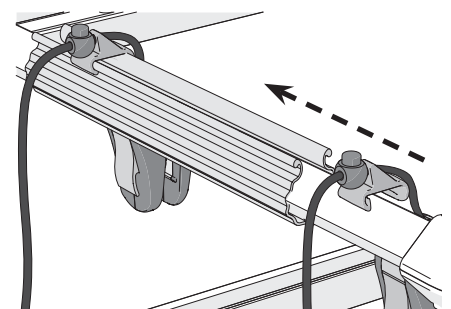


Install the bungees so the teeth bite directly into fabric, not batting. This maintains fabric tension better, and avoids damage to the batting.

To use the bungees, turn the side fabric clips so the opening points up and press them onto the side rails.



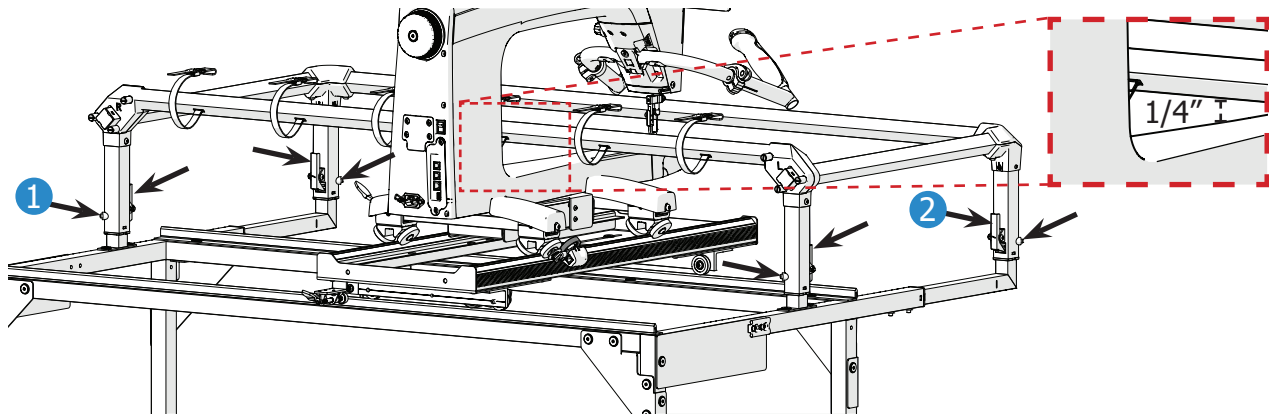
Pinch the edges of the clip and press the bungee mounts onto the clips.



Rail Adjustment

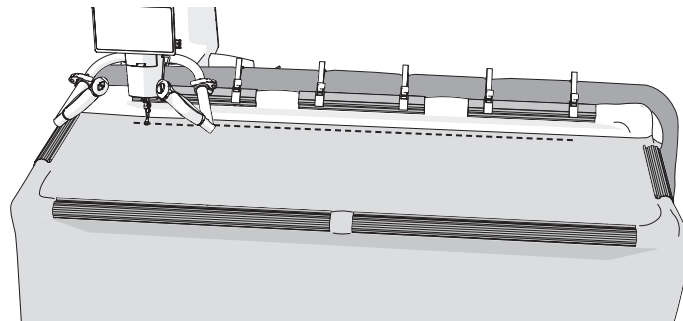
The bottom of the back rail should have about 1/4th inch space from the machine bed.

- 1 Loosen the four set screws with a 4 mm Allen wrench.
- 2 Press in the four levers and adjust the hoop height.
- 3 When finished, re-tighten the set screws.



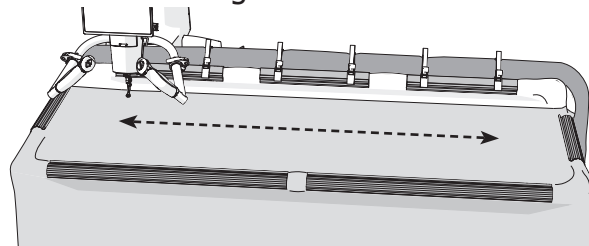
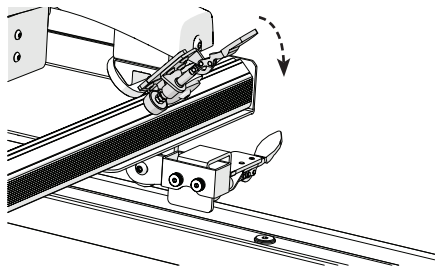
Tacking Down Fabric

When you move to a new zone in your quilt, tack down the quilt top edges about a quarter inch from the batting and backing.

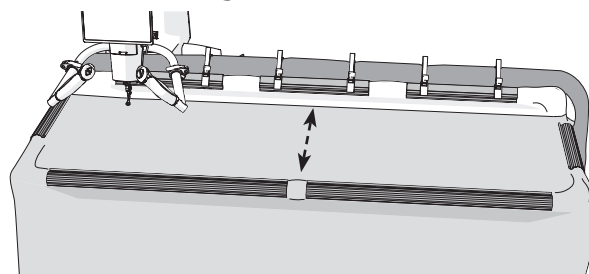
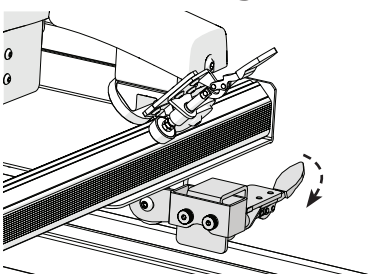


Channel Lock Use

Close the **machine channel lock** to stitch a straight horizontal line.



Close the **carriage channel lock** to stitch a straight vertical line.



The Grace Company
Innovative Sewing Products

1-800-264-0644