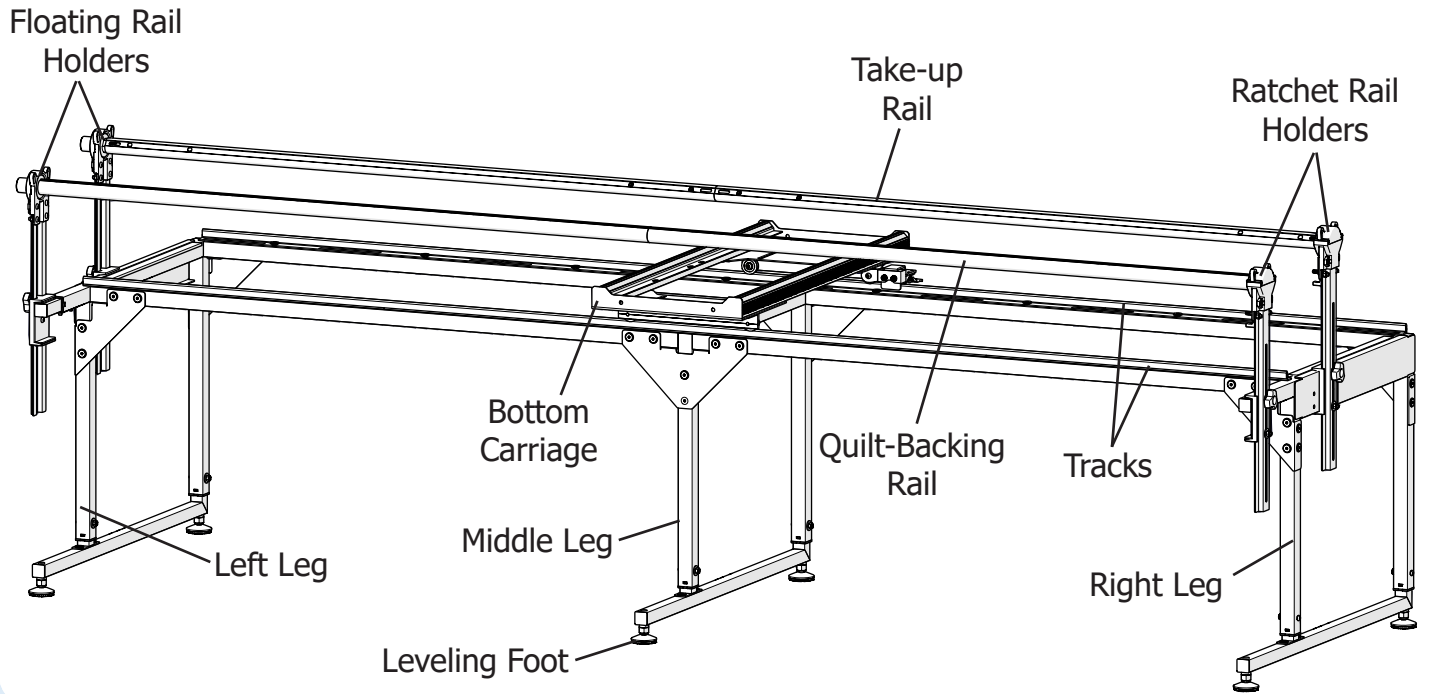


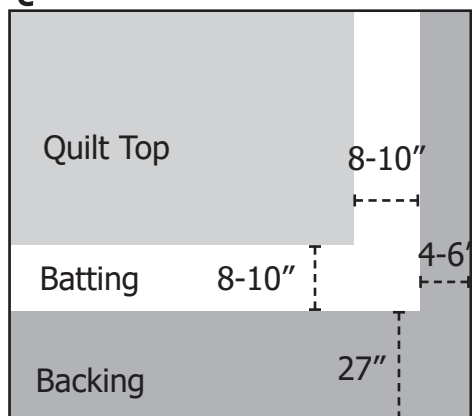
Parts of the Frame



Starting a New Project?

1. Ensure your frame is level.
2. Measure your quilt top.
3. Cut your batting and quilt backing to appropriate measurements (see below).
4. Wipe down the tracks on the frame and bottom carriage with a lint-free cloth.
5. Wipe down the bottom carriage wheels and your quilting machine or top plate wheels.
6. Attach your fabric to the frame (see Loading Frame on reverse side).
7. Check your rail height.
8. Tack down your quilt.
9. Tack down test fabric to the side of your quilt (see frame instructions for details).
10. Test stitch tension on practice quilt.

Quilt Dimensions



Recommended sizing:

Batting: 8-10" larger than the quilt top.

Backing: 4-6" wider and 27" longer than the batting.

Note: If using cloth leaders, see directions for alternative sizing.

Record the measurements of your quilt here in wet-erase marker:

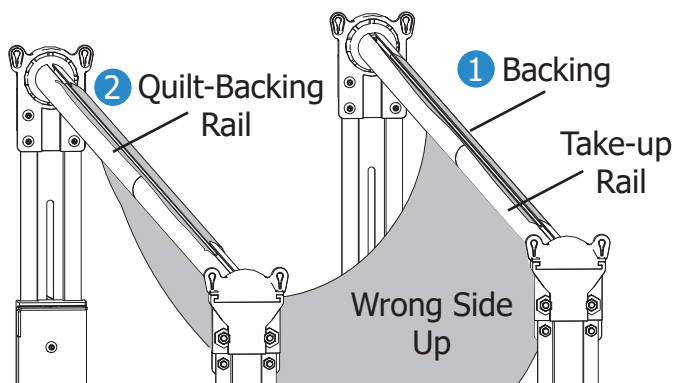
Top: _____ x _____

Batting: _____ x _____

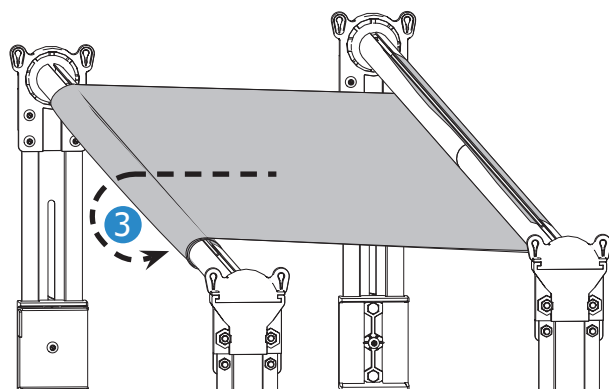
Backing: _____ x _____

Loading Fabric

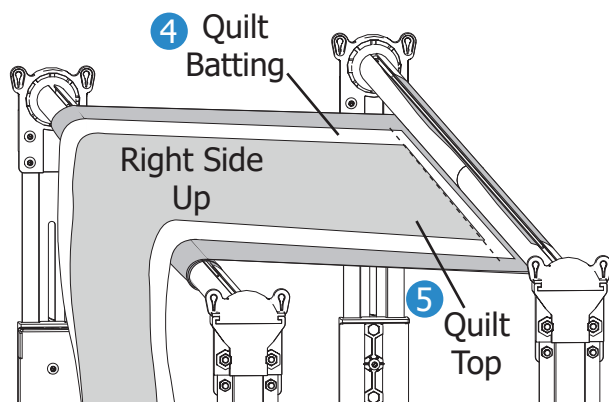
- 1 The quilt backing will be attached to the take-up rail, right side down. Take the top edge of the backing and wrap it underneath the bottom of the take-up rail, and over the top.
- 2 Attach the bottom edge of the backing to the quilt-backing rail.



- 3 Ratchet the quilt-backing rail forward until the backing is rolled up smoothly.



- 4 Pin the top edge of the batting, bumpy side up, to the quilt backing. Make sure it is centered and free of wrinkles.
- 5 Center the top edge of the quilt top over the batting and pin it in place. Smooth all layers free of wrinkles.
- 6 Don't forget to use your rail clamps and bungees.

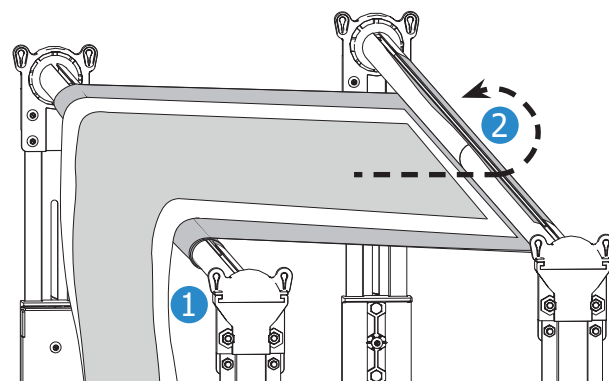


Note: See frame instruction manual for more details on fabric installation.

Rolling Fabric

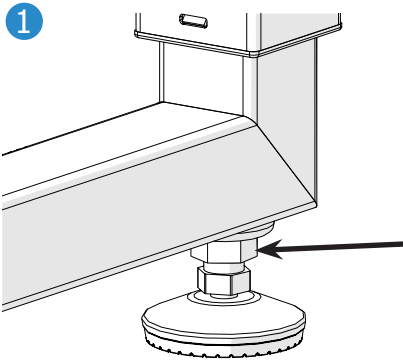
When you've finished the available quilting space on your frame, it's time to roll the fabric:

- 1 Release the ratchet on the quilt-backing rail.
- 2 Ratchet the take-up rail forward until at a fresh area for quilting.
- 3 Reset the height of your take-up rail to accommodate the rolled fabric.

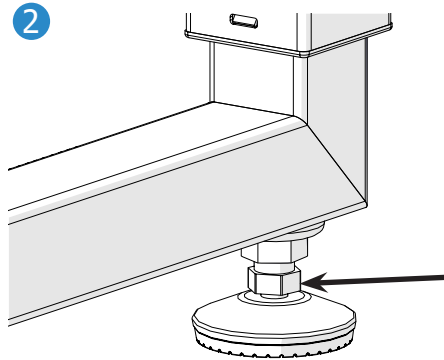


Leveling Frame

If you notice an area of pulling or tugging where the machine hits a low spot in the frame, adjust the height of the leveling feet to smooth it out.

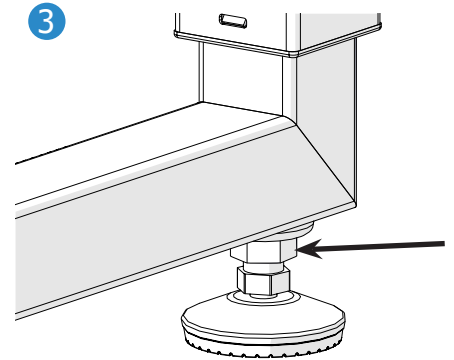


Loosen the top nut on the leveling foot with the 17 mm Open-end wrench.



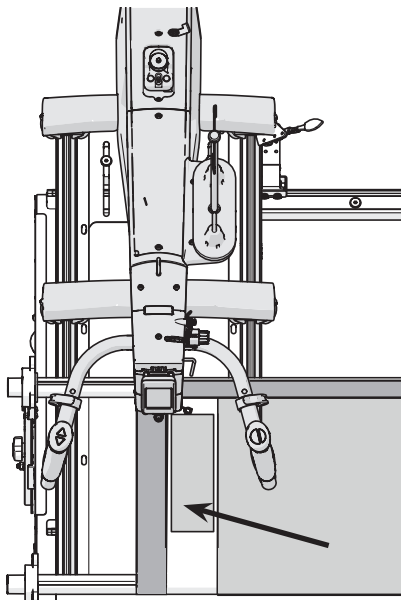
Adjust the bottom nut with the 14 mm Open-end wrench until the desired height is set.

- **To Lower:** Turn counter-clockwise.
- **To Raise:** Turn clockwise.



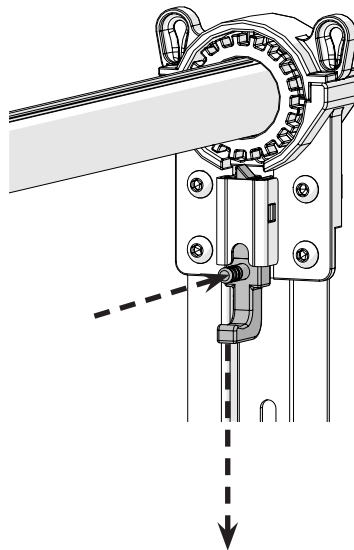
Tighten the top nut with the 17 mm Open-end wrench until it is firm against the frame leg.

Practice Quilt



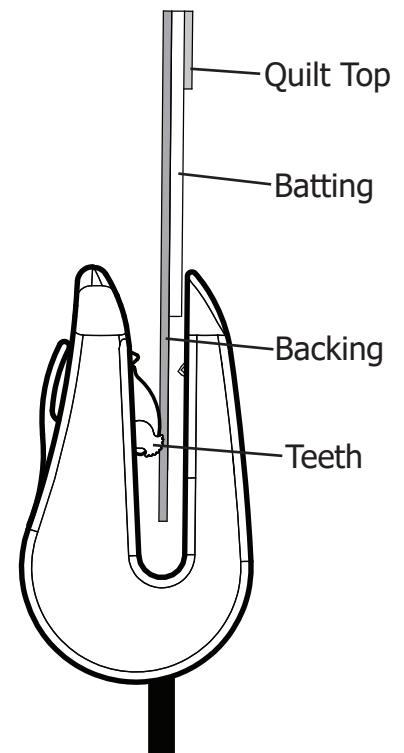
Use leftover fabric from your quilt top and tack it to the side of your quilt, over the batting. This creates a "practice quilt" where you can test your tension at the start of each quilting session.

Ratchet Release



To release the ratchet, pull down the ratchet lever until the ratchet tooth disengages with the gear. Push the peg inward to hold it in the down position.

Bungee Position

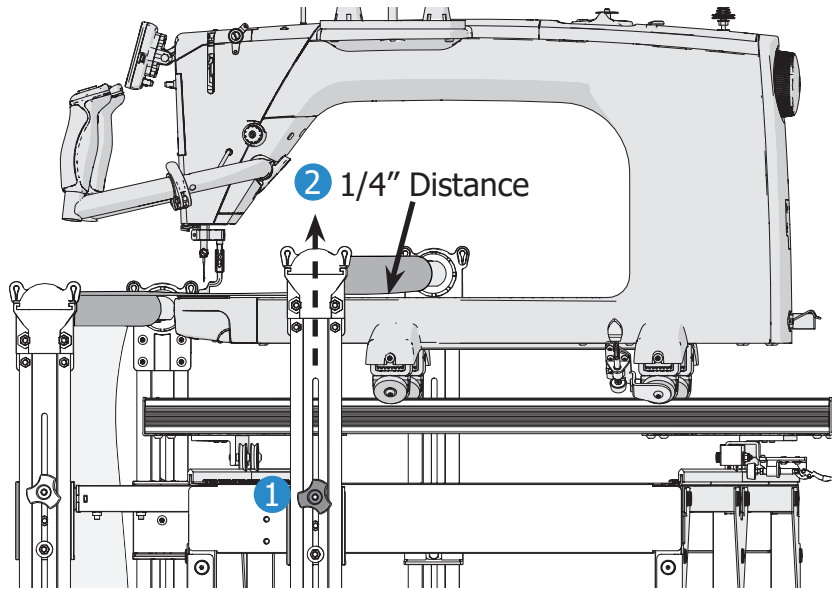


Install the bungees so the teeth bite directly into fabric, not batting.

Rail Adjustment

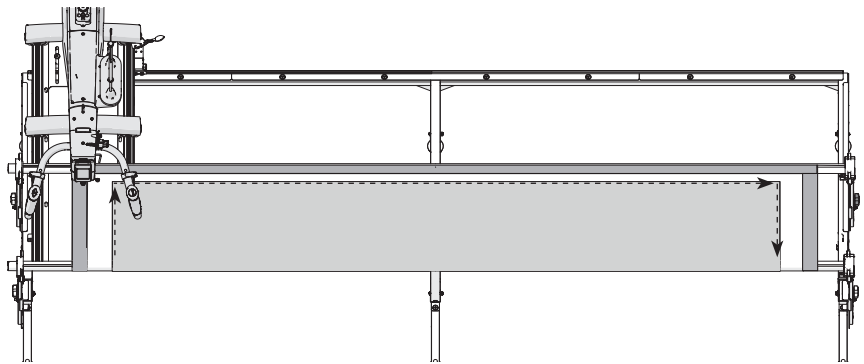
Adjust the take-up rail height regularly as the fabric layers build up around it.

- 1 Loosen the plastic knobs on both the take-up rail holder brackets.
- 2 Raise the take-up rail so there's about 1/4th inch of space between the bottom fabric layers and the bed of the machine.
- 3 Re-tighten knobs.

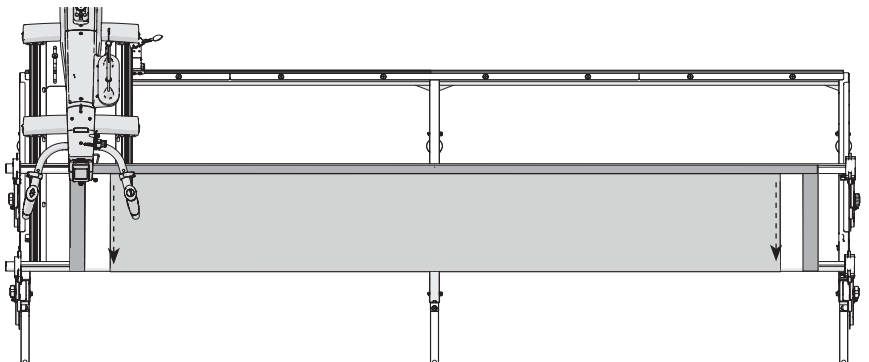


Tacking Down Fabric

Start at the front left corner of your quilt top. Secure your first stitch, then stitch along the edge toward the back of the frame, across top edge of the quilt, and down the right edge.



After you've rolled the quilt to a new section, tack down the sides before doing anything else. This prevents the sides of the quilt from getting pulled inward as you work.



The Grace Company
Phone: 1-800-264-0644
www.graceframe.com

Grace
COMPANY