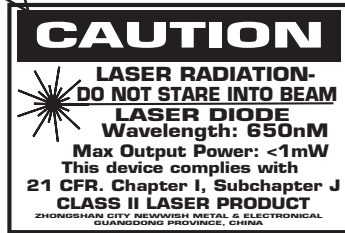
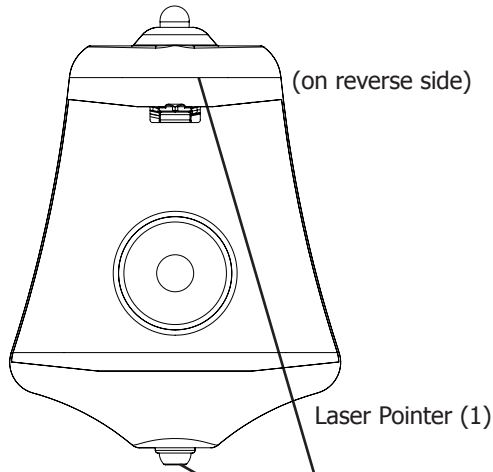


The Gracie Laser User Manual



Parts List

SAFETY PRECAUTIONS



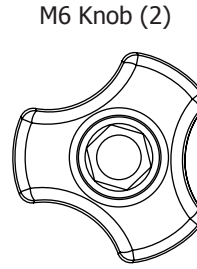
M6 x 60mm
Hex Head bolt (1)



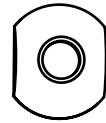
M6 x 45mm
Hex Head bolt (1)



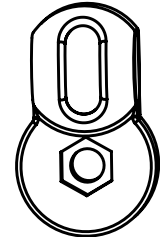
M6 x 20mm
Hex Head bolt (1)



M6 Knob (2)



Hex Swivel Head (1)



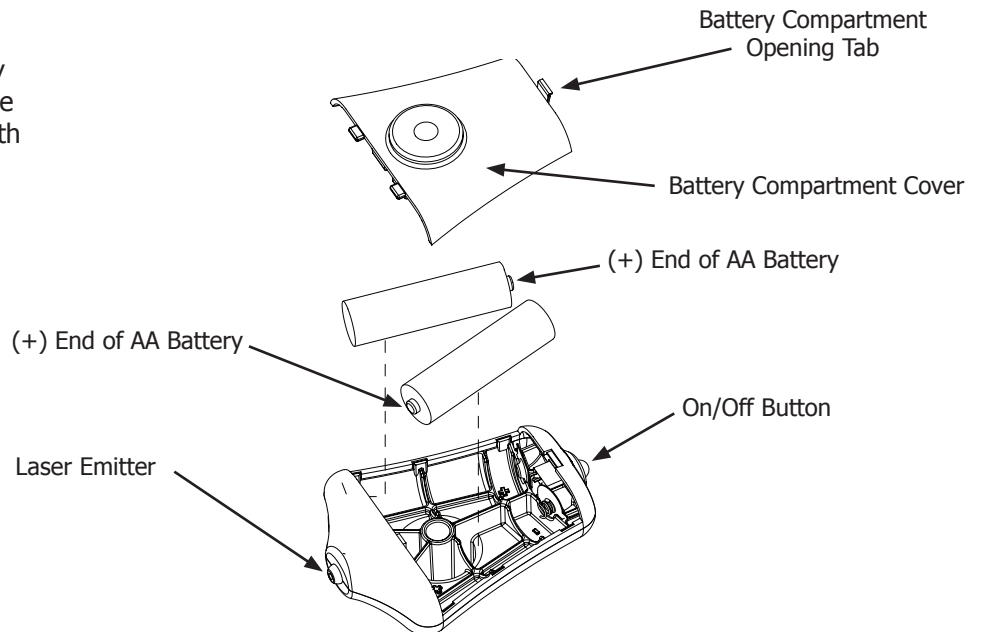
Main Swivel Attachment (1)



M6 Nylock Nut (1)

1. CAUTION: Use of controls, adjustments, or performance of procedures other than given in USER MANUAL may result in hazardous laser light exposure.
2. This product is safe to use in normal operations as described in these instructions. **AVOID DIRECT EYE EXPOSURE. DO NOT LOOK DIRECTLY INTO THE LASER EMITTER.**

Battery Installation: Use the battery compartment opening tab to remove the battery cover. Batteries are inserted with their positive pole (+) opposite each other. (Illustration shown)

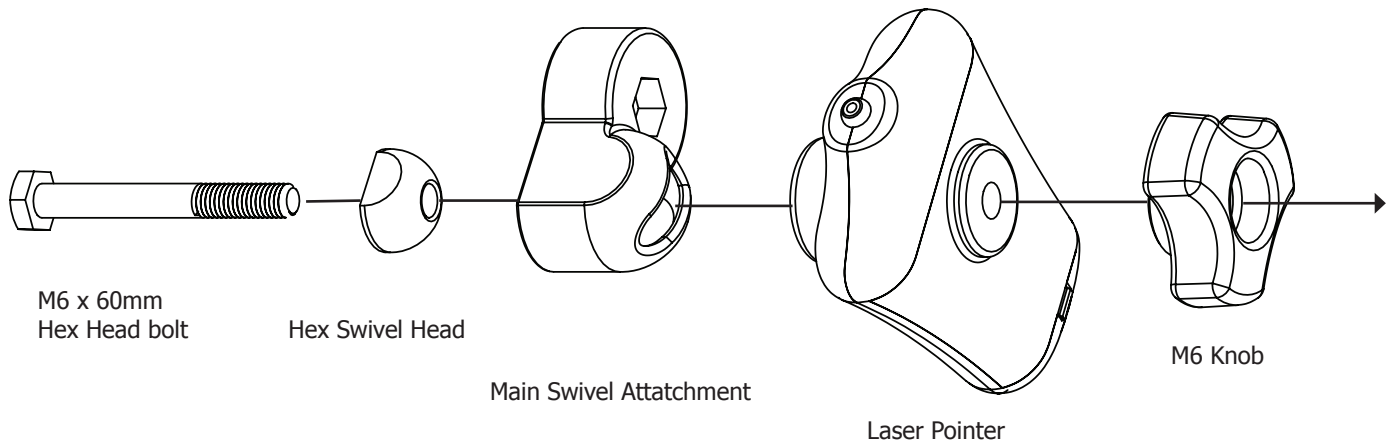


Specifications:

Power:	Class II
Wavelength:	650nm
Output Power:	1mW
Battery Type:	2 AA
Battery Life:	150 Continuous hours
Weight:	31.2g Without Batteries
Dimensions:	6.929" L X 1.533" W
Color:	Blue

The Grace Company certifies that the Gracie Laser complies with the government FDA regulation 21CFR 1040.10 and 1040.11.

Laser Assembly



Assembly Steps:

Step 1: Insert the M6x60mm Hex Head Bolt through the Hex Swivel Head with the rounded portion up.

Step 2: Continue by pushing the bolt through the Main Swivel Attachment and through the Laser Pointer.

Step 3: Tighten the M6 Knob onto the of of the M6x60mm Hex Head Bolt.

Carriage Installation:

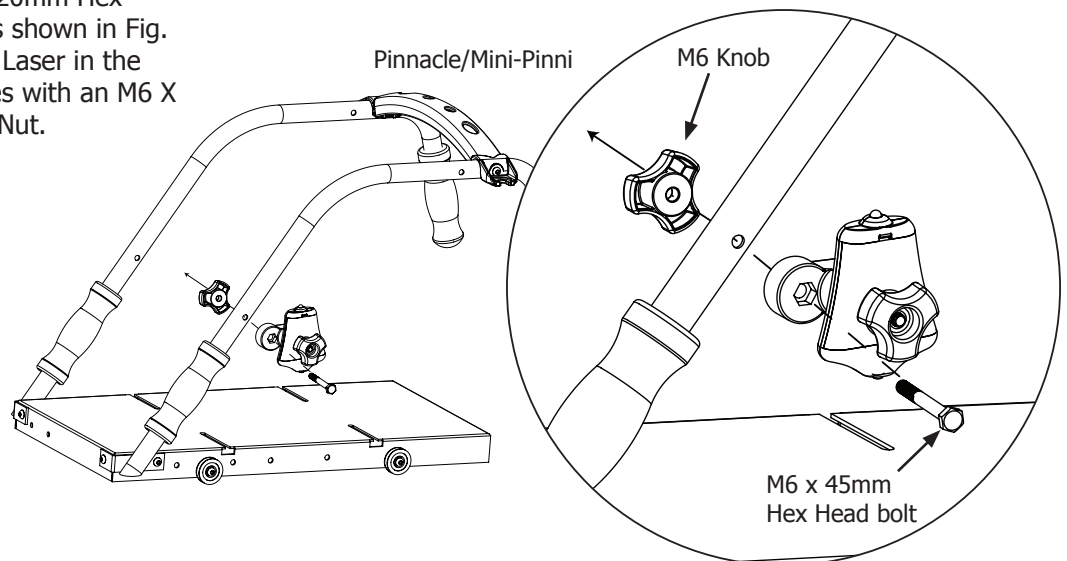
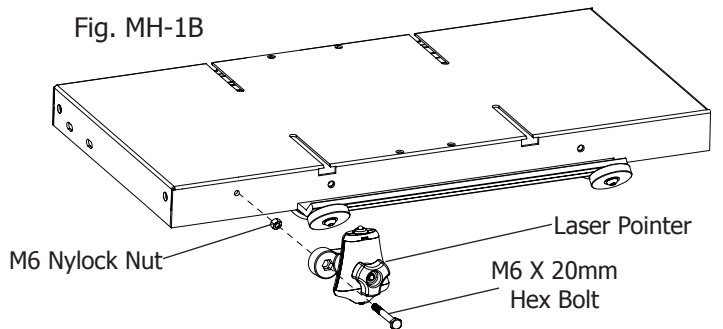
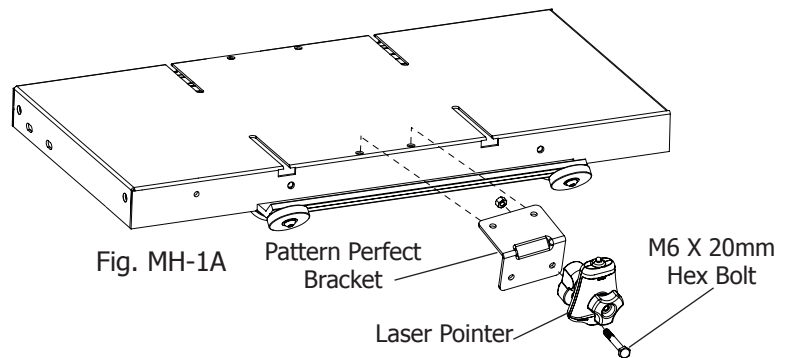
Step 1: Insert the M6x45mm Hex Head Bolt through the Laser Pointer Assembly.

Step 2: Insert the M6x45mm Hex Head Bolt through an available 1/4" hole in the Top Platform. (If none of the available holes suit your needs, drill a 1/4" hole in the desired location.)

NOTE: The Laser Pointer may be mounted on either side of the Top Platform, and is easily moved from one side of the Top Platform to the other. If you are using the Pedal Pusher, when mounting the Laser Pointer, make sure that it doesn't interfere with your Pedal Pusher Levers.

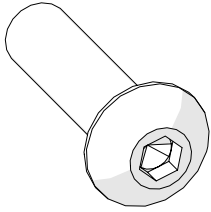
Step 3: Secure the Laser Assembly and bolt to the Top Platform with the M6 Plastic Knob.

For Sewing Machines With Handles- If using the Top Plate without handles you can install your Laser either on your pattern perfect bracket with an M6 X 20mm Hex Bolt and an M6 Nylock Nut, as shown in Fig. MH-1A. Or you can install the Laser in the side holes used for the handles with an M6 X 20mm Hex Bolt and a Nylock Nut.

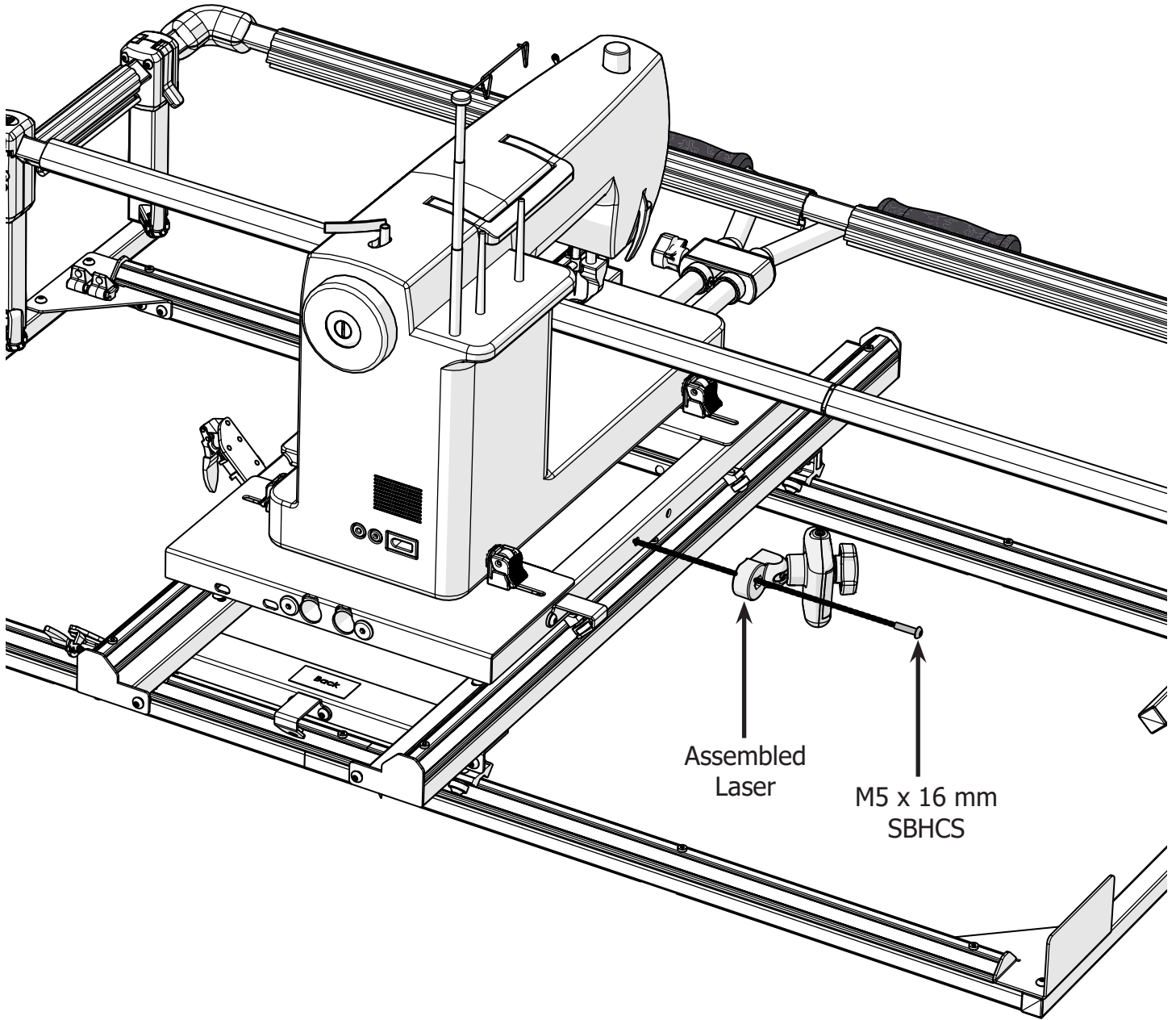


Gracie Laser Addendum

Additional Parts & Tools



SBHCS M5 x 16 mm



Assembled
Laser

M5 x 16 mm
SBHCS

To attach the laser to the Cutie Frame, first assemble the laser. Attach the assembled laser to the side of the frame top plate with an M5 x 16 mm SBHCS and a 3 mm Allen wrench.