

Luminess Light Bar 10ft and 5ft Assembly Instructions

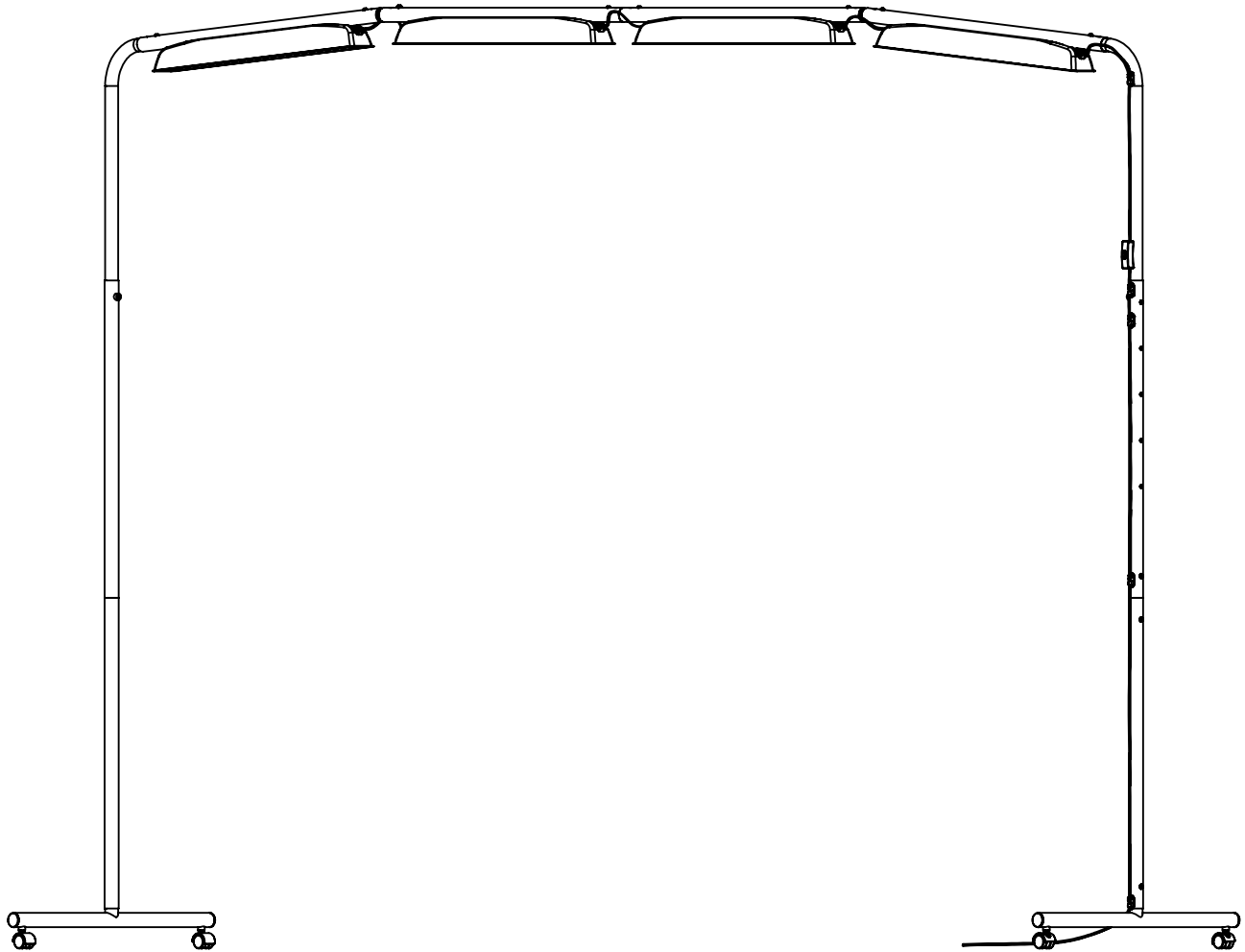
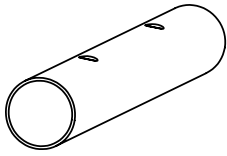


Table of Contents

| | |
|---|----|
| Parts List | 2 |
| Step 1: Light Bar Assembly 10ft..... | 3 |
| Step 2: Cable Connection and Management | 7 |
| Step 1: Light Bar Assembly 5ft..... | 8 |
| Step 2: Cable Connection and Management | 12 |

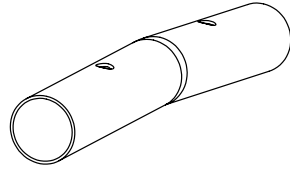
Parts List

Box #1/ 10 FT. Light Bar



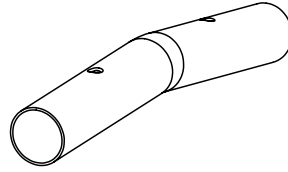
**Straight Coupler
(3)**

MET-011932



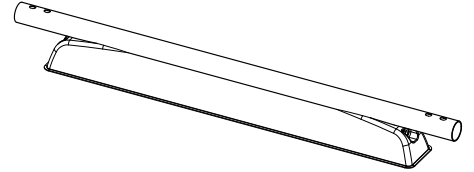
**Bent Coupler
(2)**

MET-04-11931



**Bent Coupler 5ft
(1)**

MET-04-12245



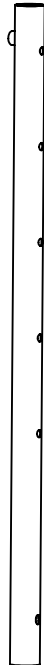
**Light Assembly
(4)**

ACC-09-13209



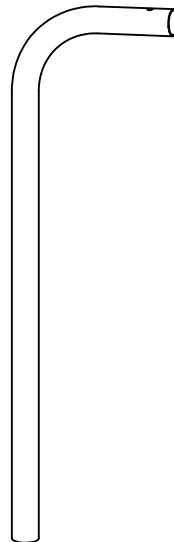
**Bottom Leg
(2)**

ACC-09-13559



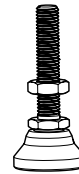
**Top Leg
(2)**

ACC-09-13076



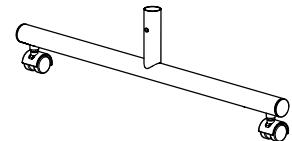
**Upper Leg Bend
(2)**

ACC-09-13075



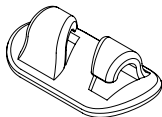
**Swivel Leveling Foot
(4)**

ACC-03-17800



**Foot Section Assembly
(2)**

ACC-09-13079



**Cord Mount
(5)**

ACC-09-13077



**Allen Wrench 4 mm
(1)**

HDW-03-10167



**M6 x 10mm SBHCS
(10)**

ACC-09-10124

**Included But Not Shown:
(3) Connecting Cable End
(1) Power Connecting Cable End**

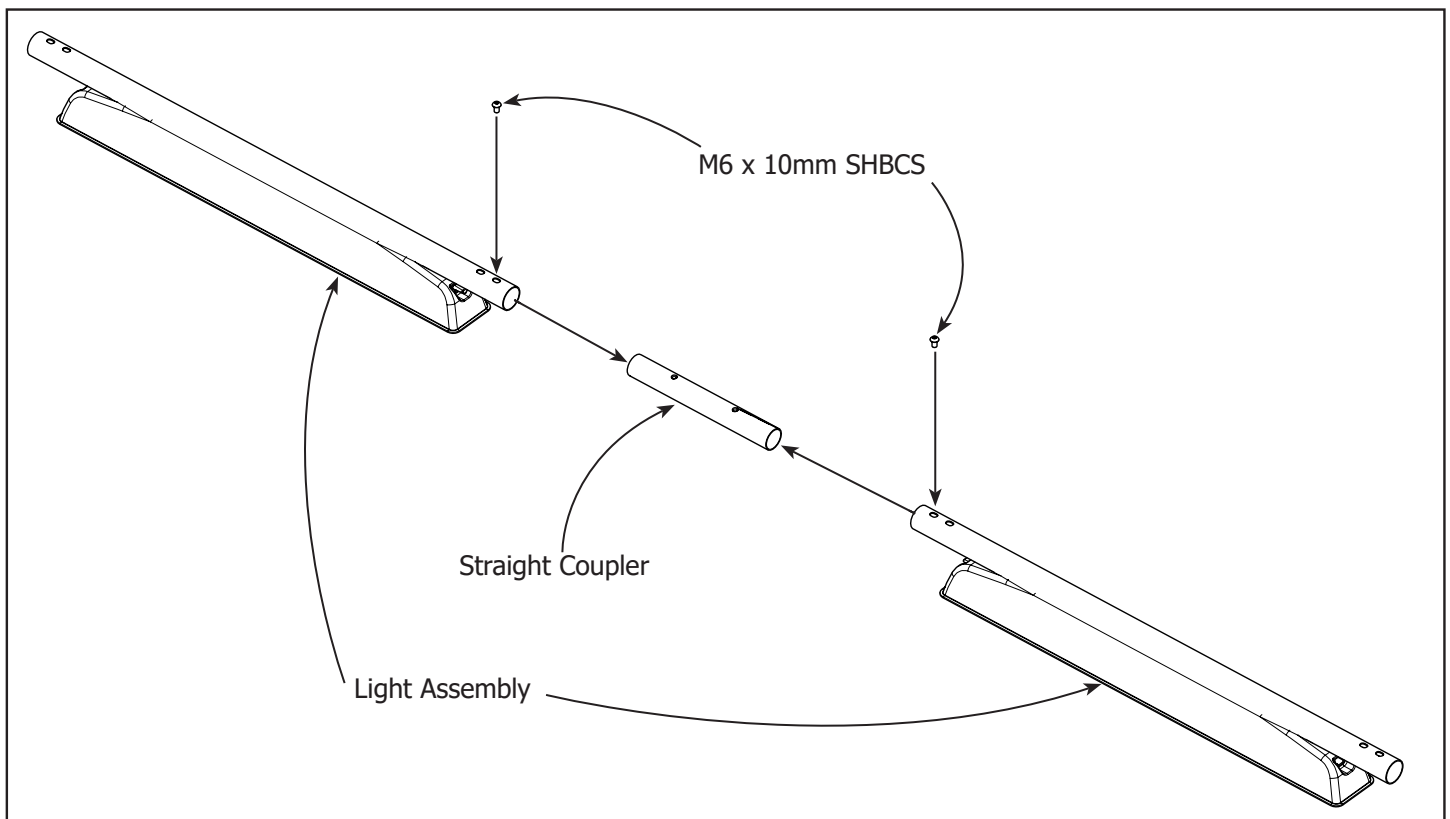
Step 1: Light Bar Assembly 10ft

Parts List:

1. Bent Coupler (2)
2. Light Assembly (4)
3. Upper Leg Bend (2)
4. Top Leg (2)
5. Bottom Leg (2)
6. Straight Coupler (3)
7. Foot Section (2)
8. M6 x 10mm SBHCS (14)

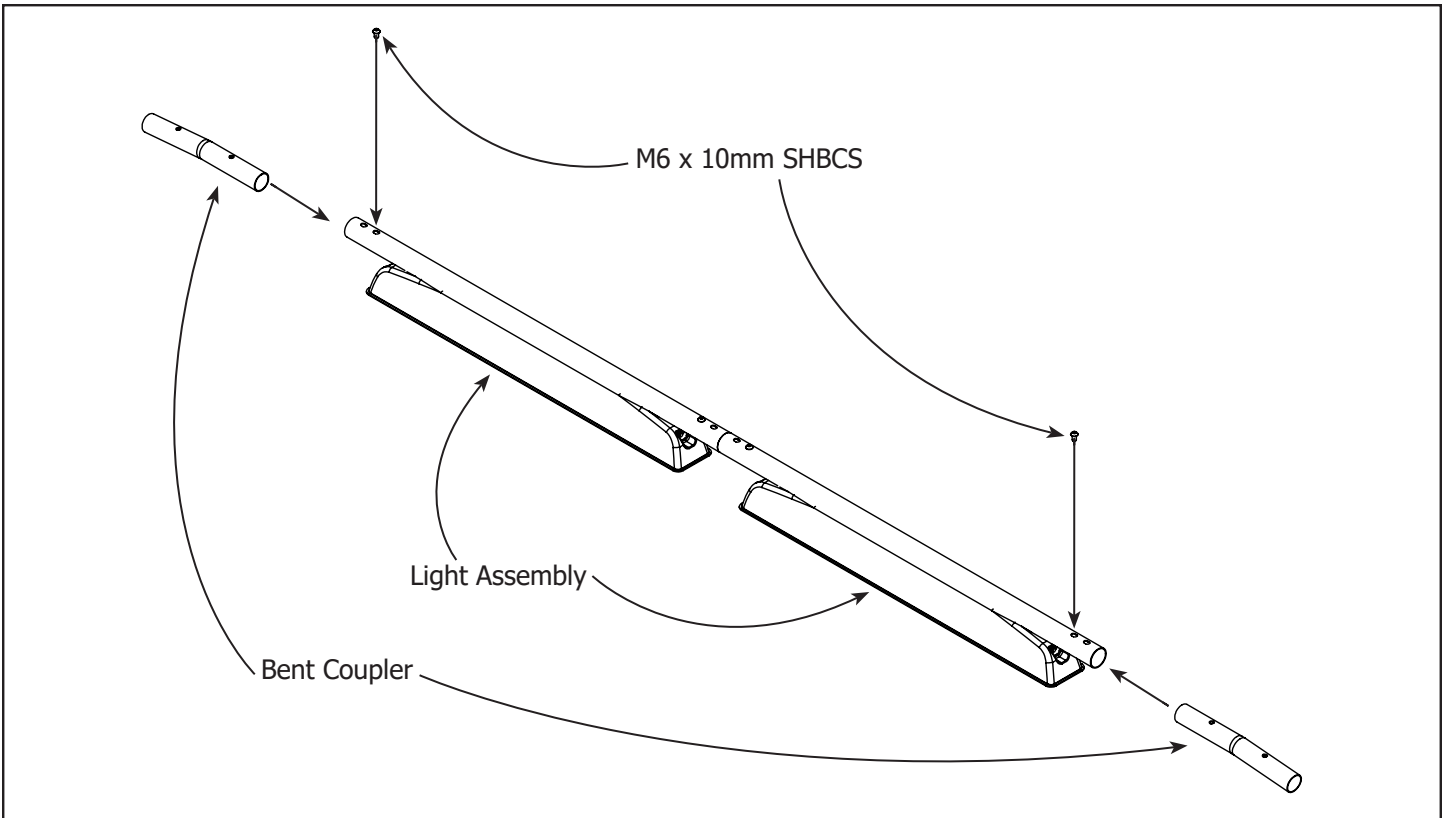
Tools Needed:

1. 4 mm Allen Wrench

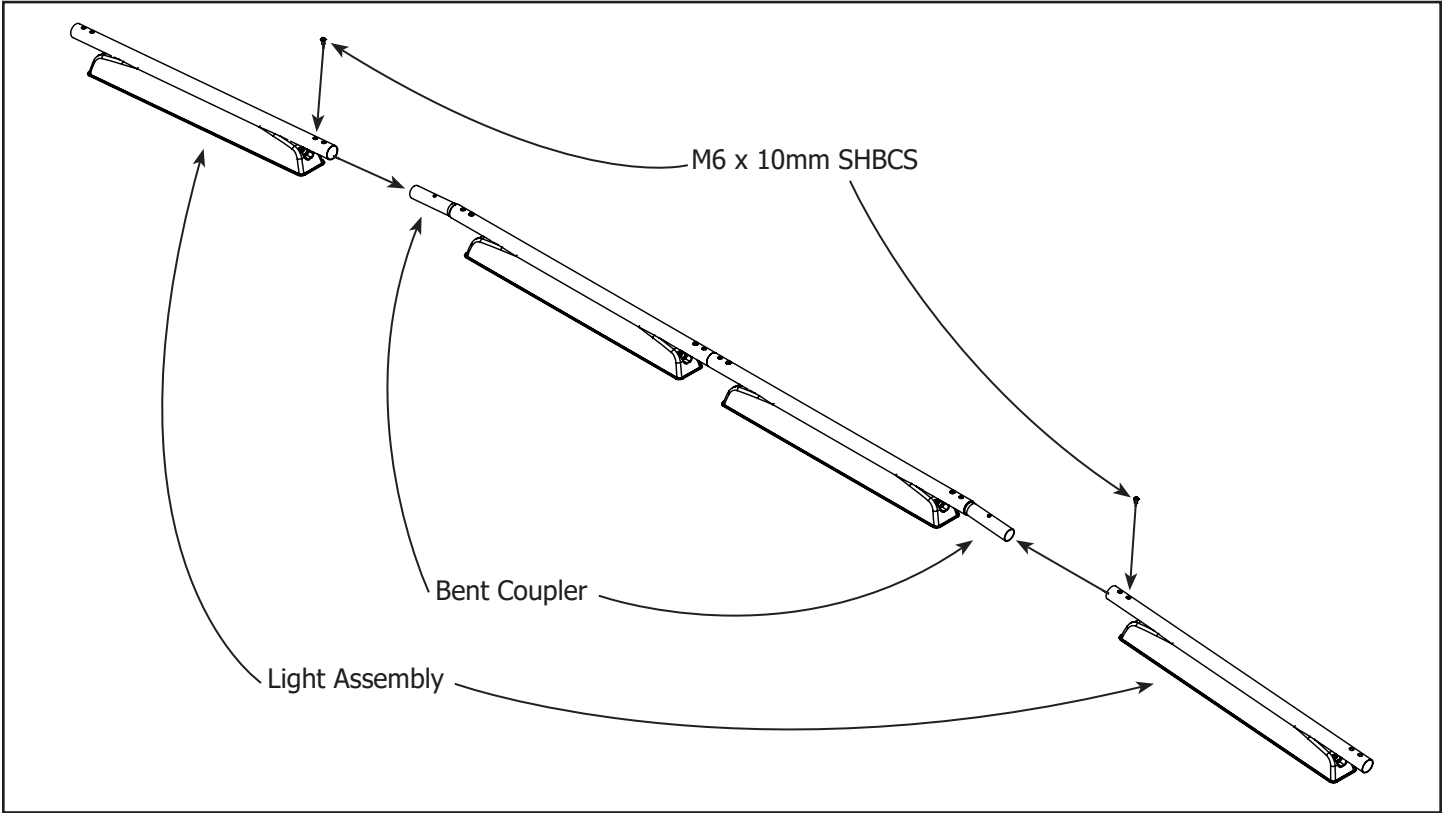


1-1 Attach (2) Light Assemblies to the Straight Coupler using (2) M6 x 10mm SBHCS on the inside holes.

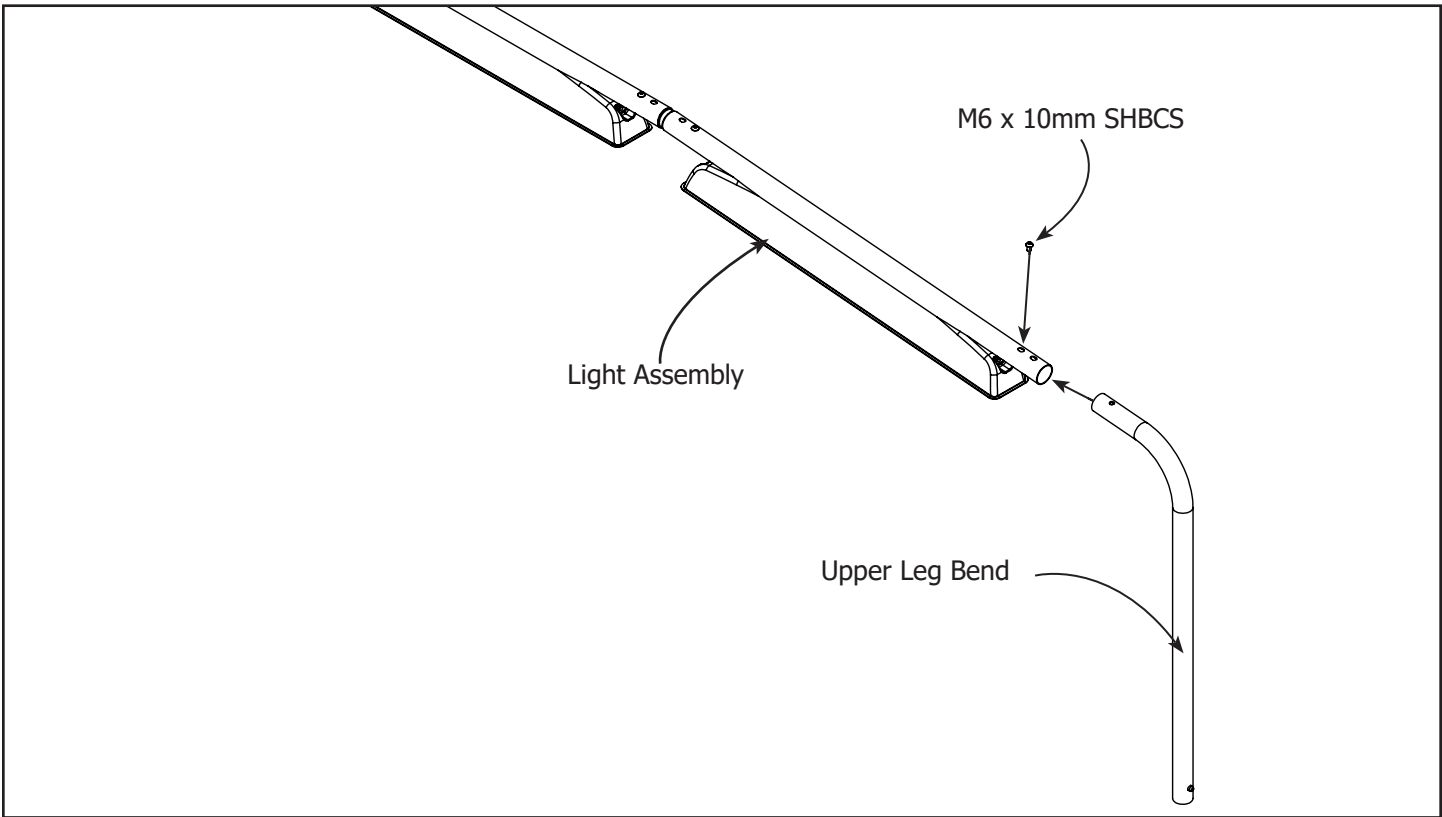
Note: To make the Light Bar wider use the outside holes.



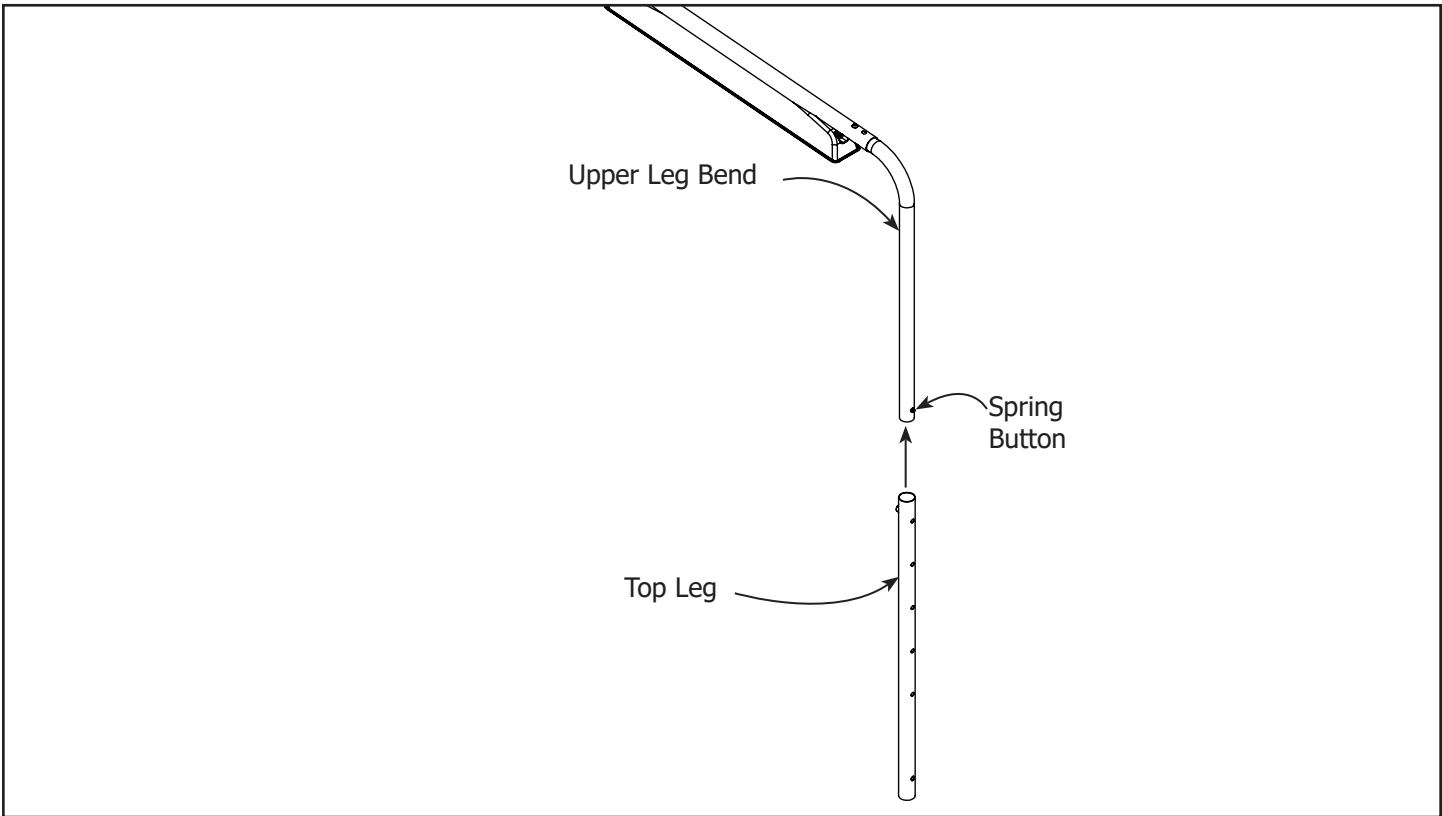
1-2 Attach Bent Coupler to Light Assembly using (1) M6 x 10mm SBHCS on each side.



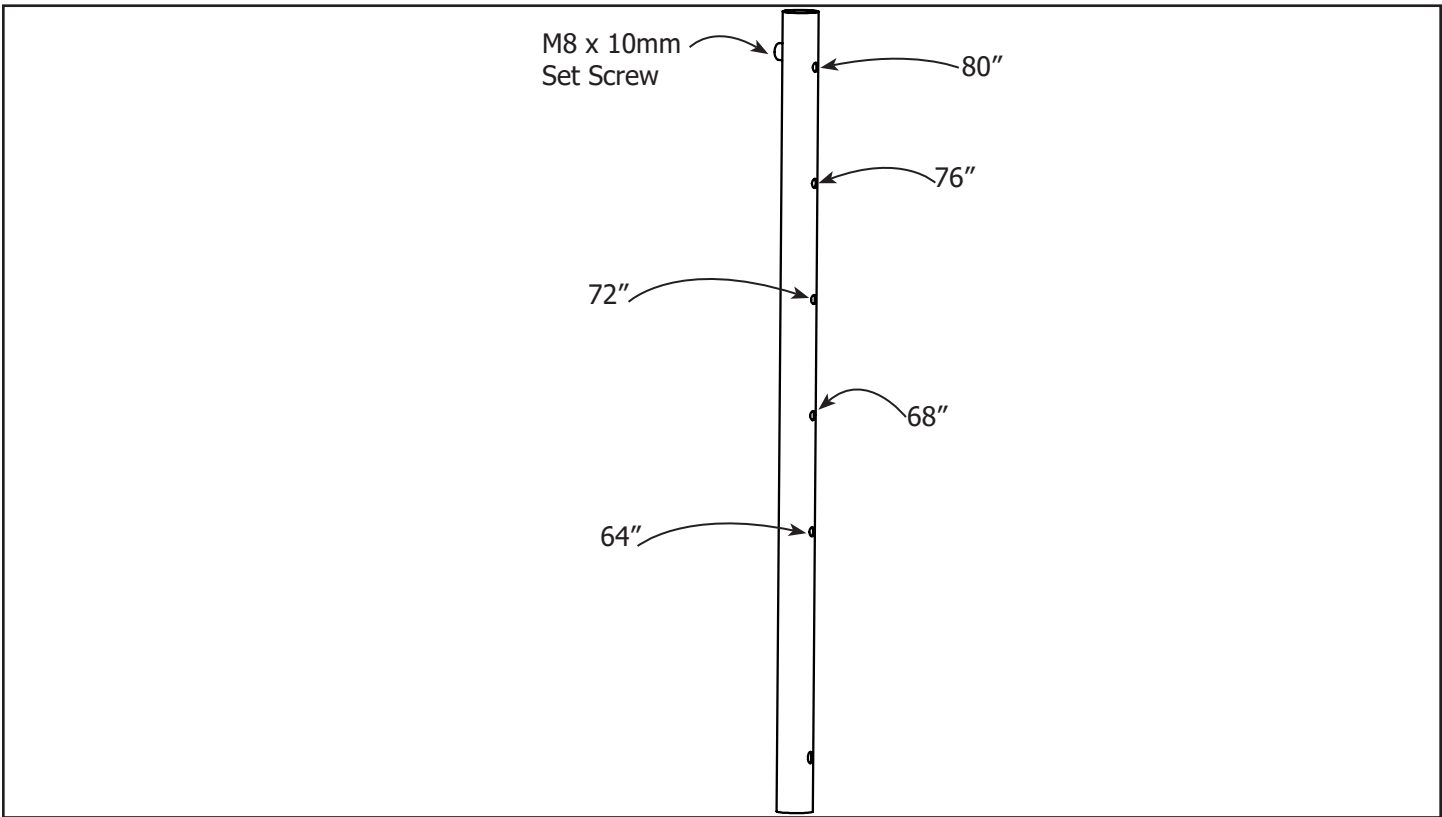
1-3 Attach Light Assembly to Bent Coupler using (1) M6 x 10mm SBHCS on each side.



1-4 Attach Upper Leg Bend to Light Assembly using (1) M6 x 10mm SBHCS. Do on both sides of the light bar.

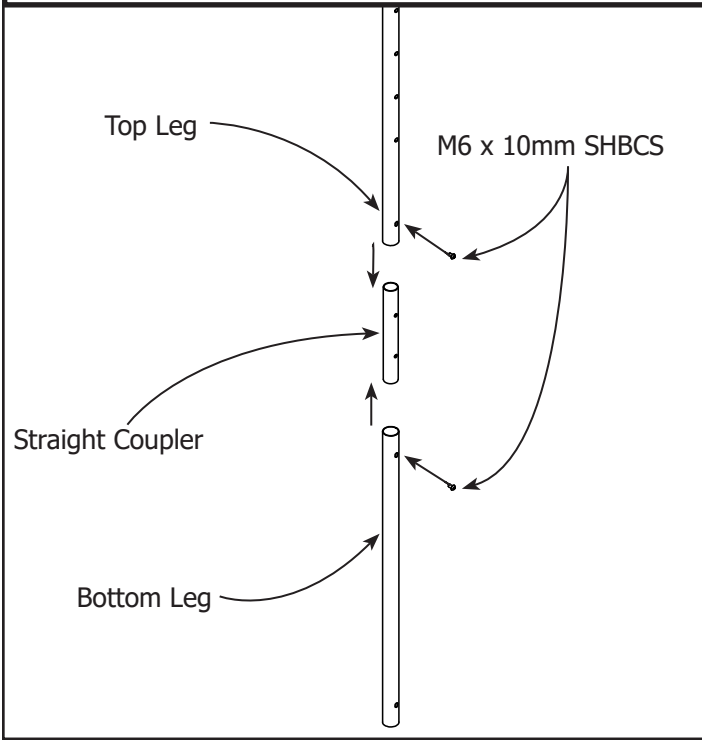


1-5 Attach Top Leg to the Upper Leg Bend by pushing in the Spring Button and slide it into the Top Leg. Do on both sides of the light bar.

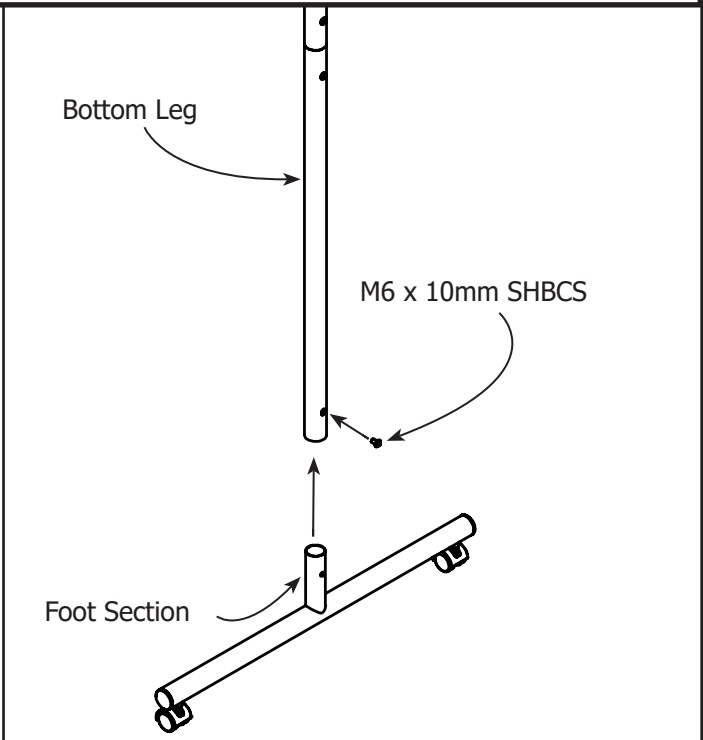


1-6 Set your Light Bar height choosing the desired hole that works best for you and tighten the M8 x 10mm Set Screw. Repeat on other side, then follow the Standing Assembly instructions (below), or the Table-Top Assembly Instructions (next page).

Standing Assembly Instructions

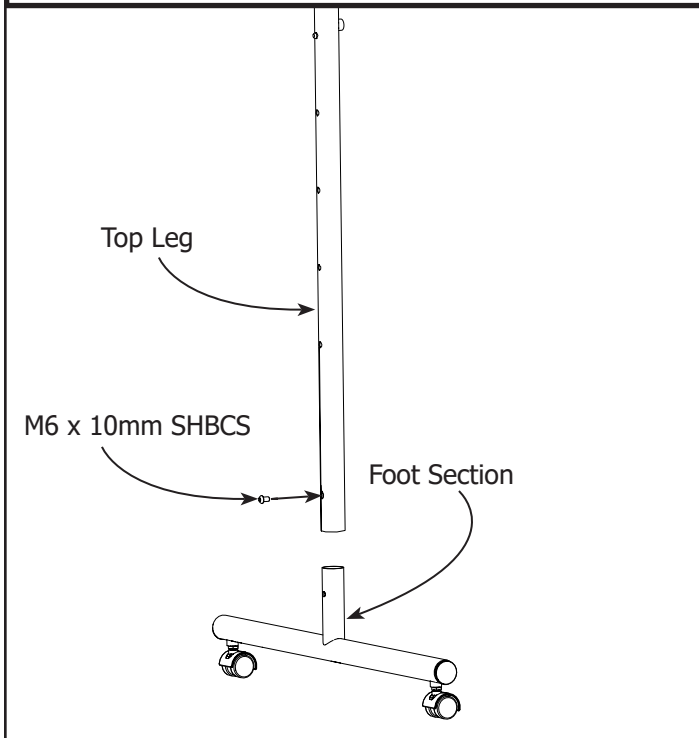


1-7 Connect Top Leg to Bottom Leg with a Straight Coupler and (2) M6 x 10mm SBHCS. Repeat on other side.

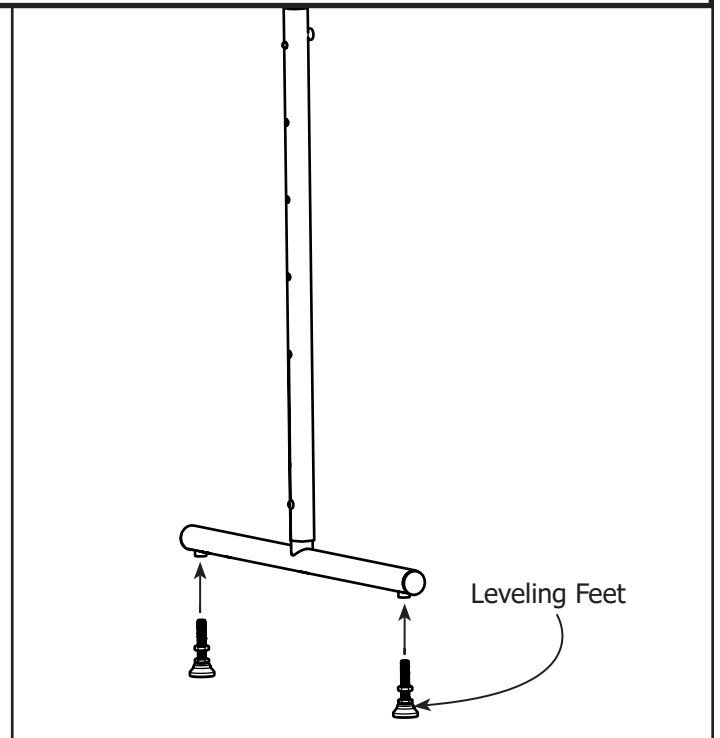


1-8 Attach both Foot Sections to Bottom Legs using (1) M6 x 10mm SBHCS on each side.

Table-top Assembly Instructions



1-7 Connect the Top Leg to the Foot Section with an M6 x 10mm SBHCS. Repeat on other side.

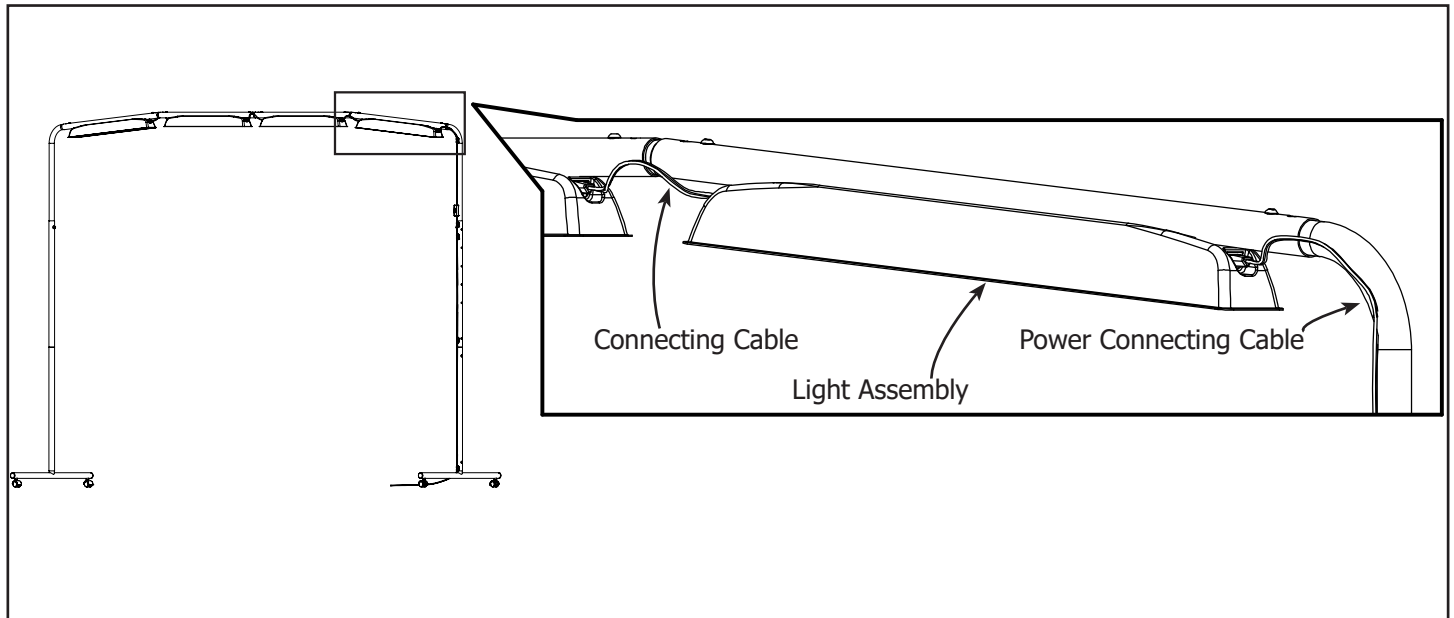


1-8 Remove the Coasting Wheels and install the Leveling Feet so the light can be placed securely on a table.

Step 2: Cable Connection and Management

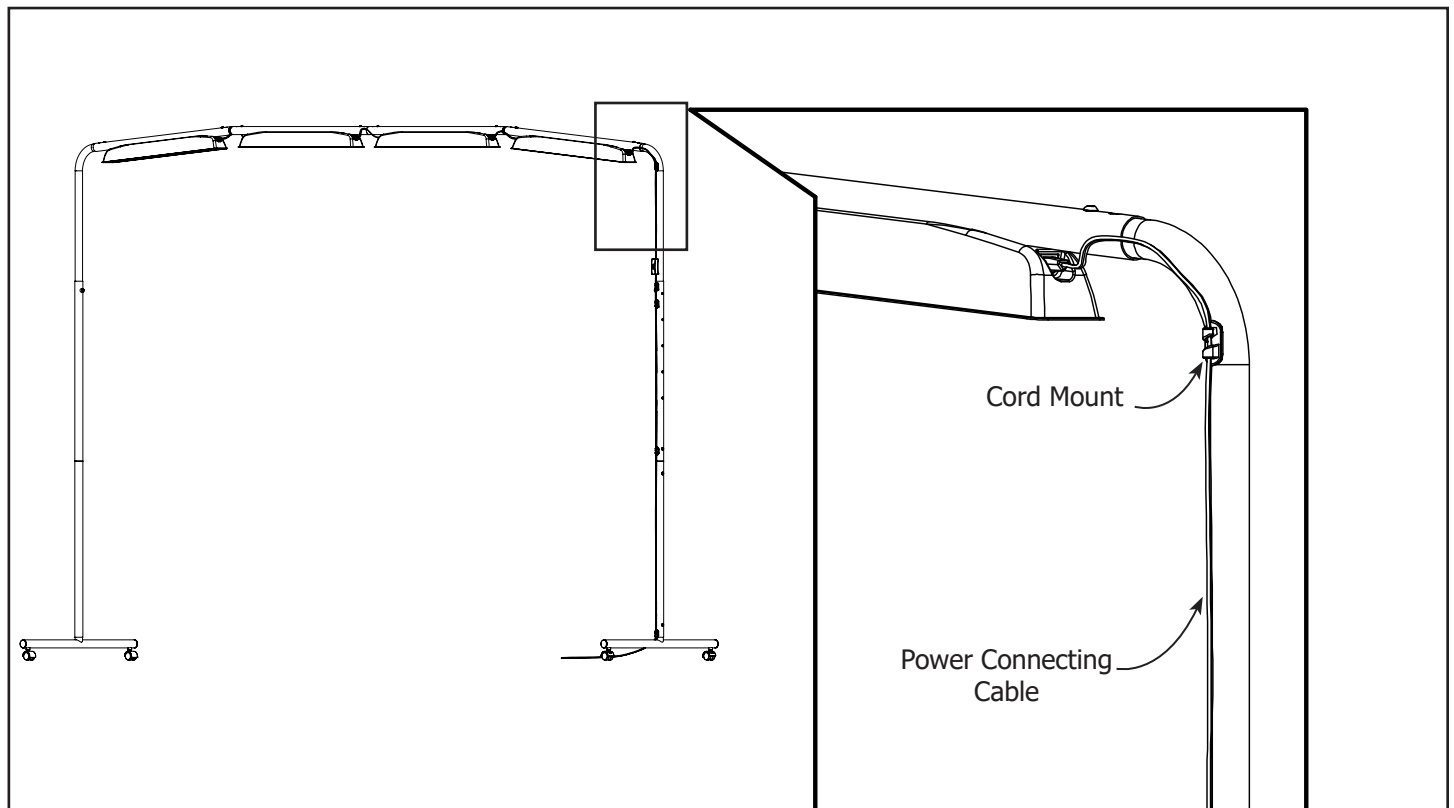
Parts List:

1. Connecting Cable (3)
2. Power Connecting Cable (1)
3. Cord Mounts (5)



2-1 Plug in Connecting Cables between all Light Assemblies.

2-2 Plug in Power Connecting Cable to the other side of Light Assembly.



2-3 Install Cord Mounts by removing paper cover on tape and evenly space down side of light bar.

2-4 Insert cable into Cord Mounts.

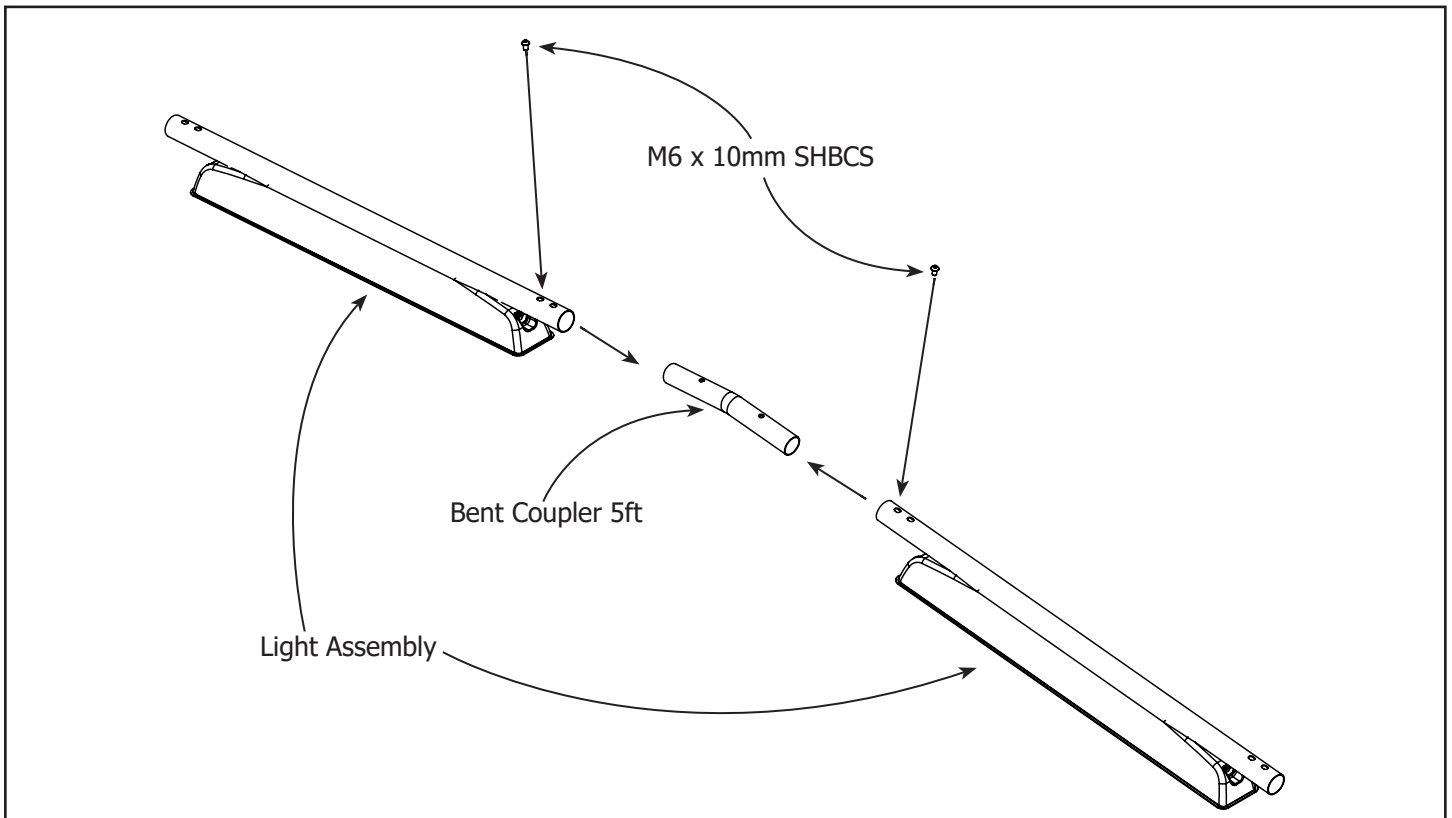
Step 1: Light Bar Assembly 5ft

Parts List:

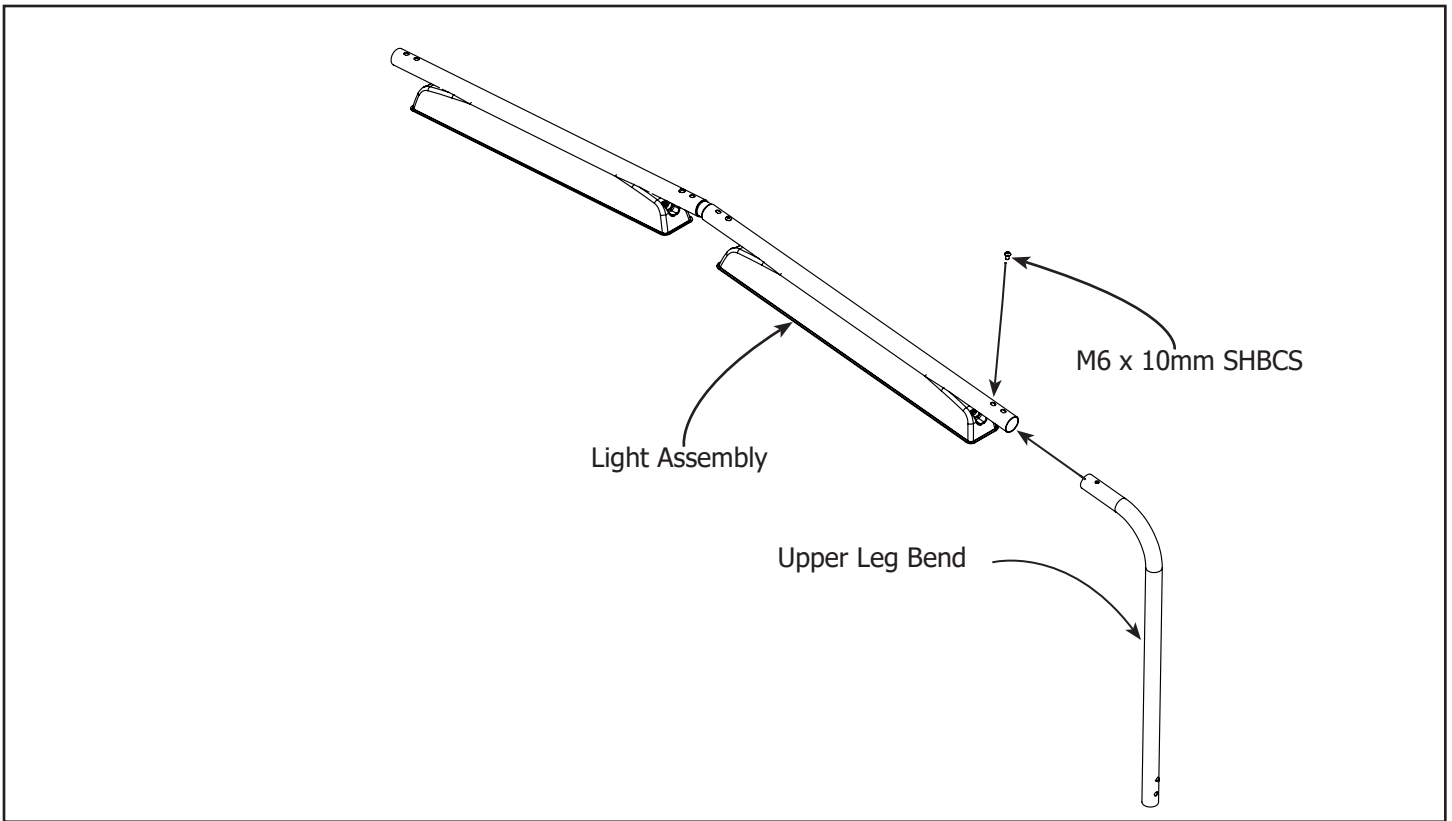
1. Bent Coupler 5ft (1)
2. Light Assembly (2)
3. Upper Leg Bend (2)
4. Top Leg (2)
5. Bottom Leg (2)
6. Straight Coupler (2)
7. Foot Section (2)
8. M6 x 10mm SBHCS (10)

Tools Needed:

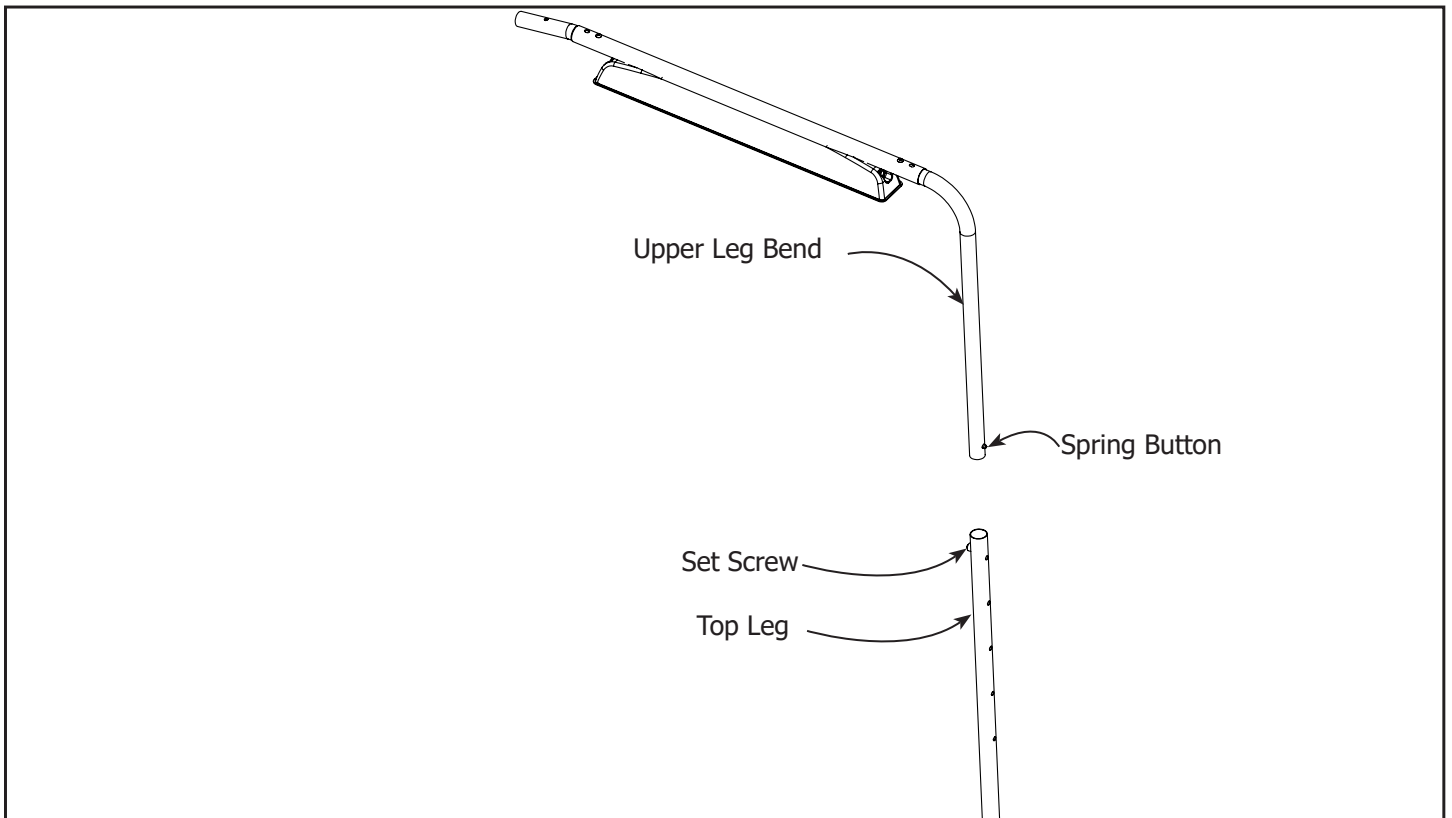
1. 4mm Allen Wrench



1-1 Attach (2) Light Assemblies to Bent Coupler 5ft using (2) M6 x 10mm SBHCS on the inside holes.
Note: To make the Light Bar wider use the outside holes.
Note: If Couplers are tight twist to fit inside Light Assemblies.

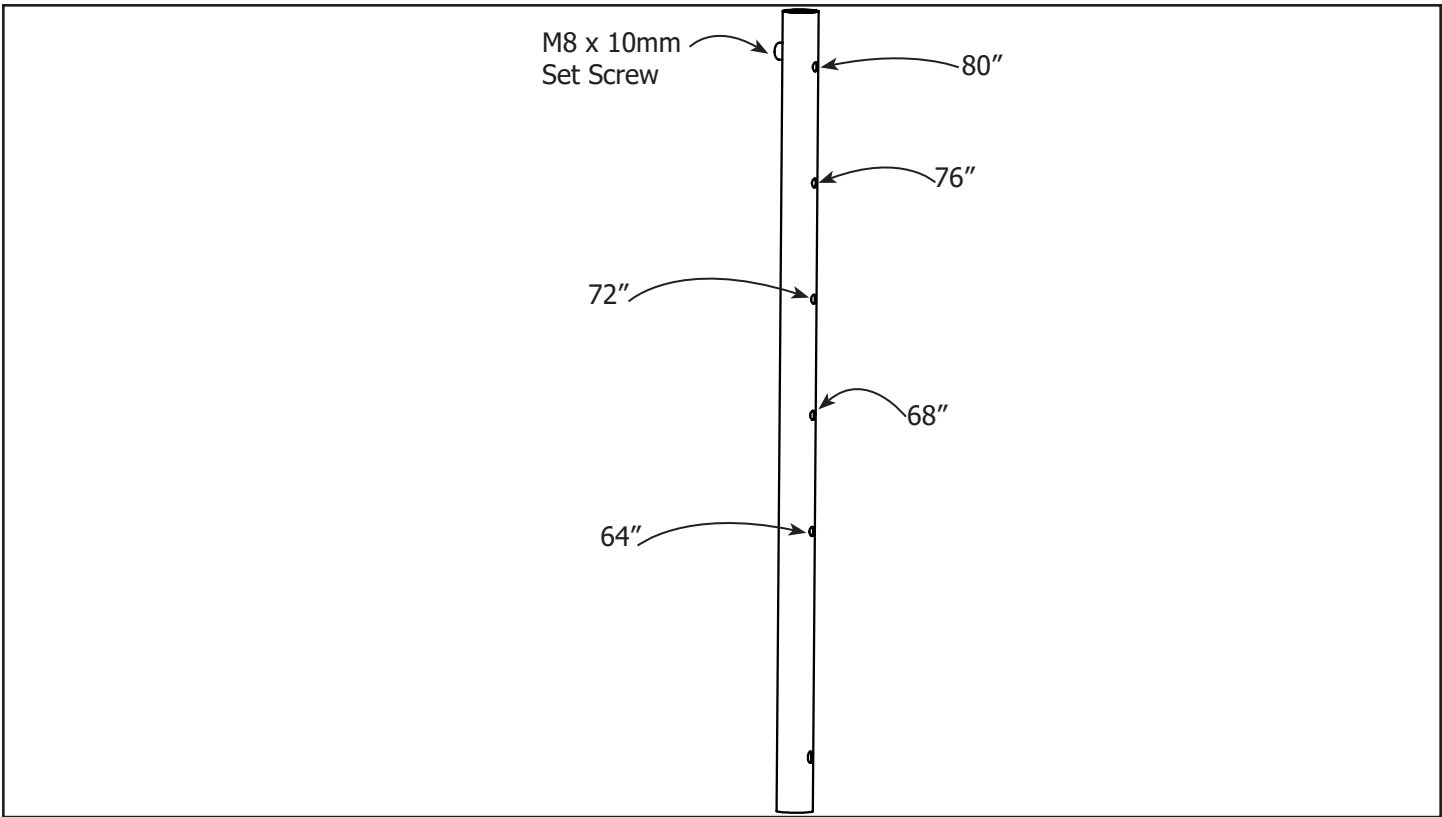


1-2 Attach Upper Leg Bend to Light Assembly using (1) M6 x 10mm SBHCS. Do on both sides of the light bar.



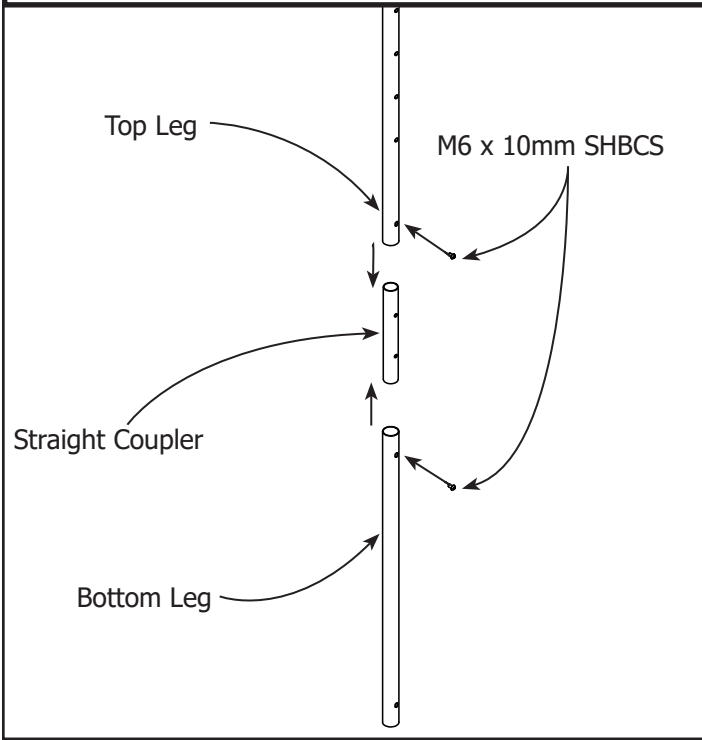
1-3 Attach Top Leg to the Upper Leg Bend by pushing in the Spring Button and slide it into the Top Leg. Do on both sides of the light bar.

Note: Make sure the Set Screw is on top when attaching.

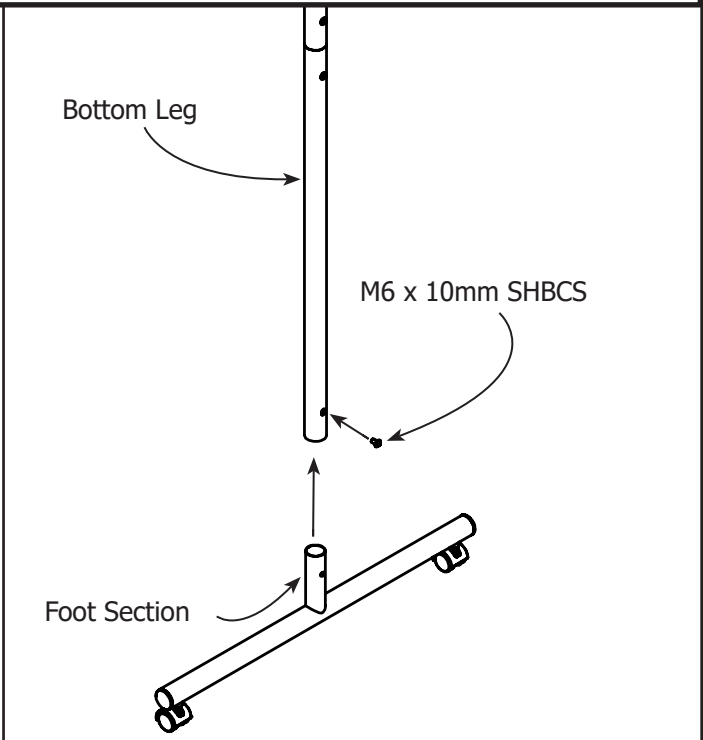


1-4 Set your Light Bar height choosing the desired hole that works best for you and tighten the M8 x 10mm Set Screw at the top of the leg. Do on both sides of the light bar, then follow Standing Assembly Instructions (below) or Table-top Assembly Instructions (next page).

Standing Assembly Instructions

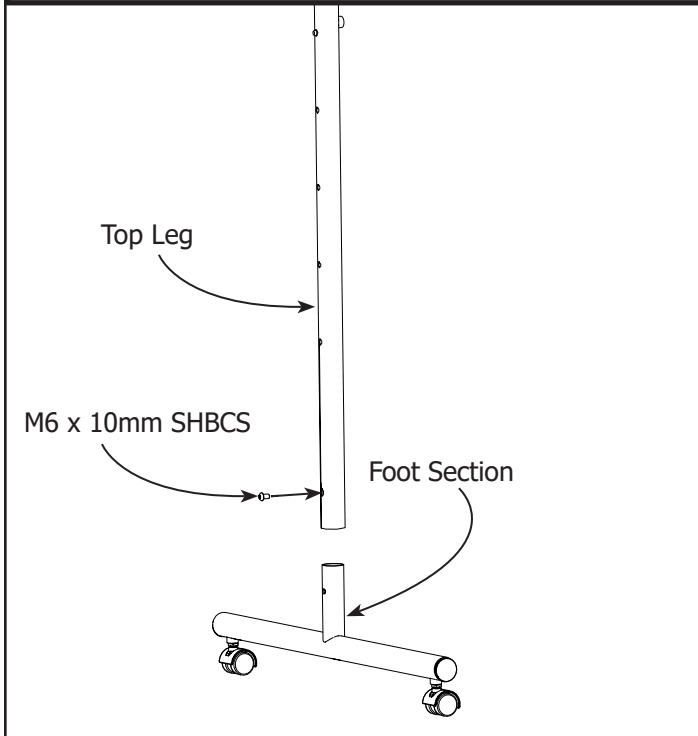


1-5 Connect Top Leg to Bottom Leg with a Straight Coupler and (2) M6 x 10mm SBHCS. Repeat on other side.

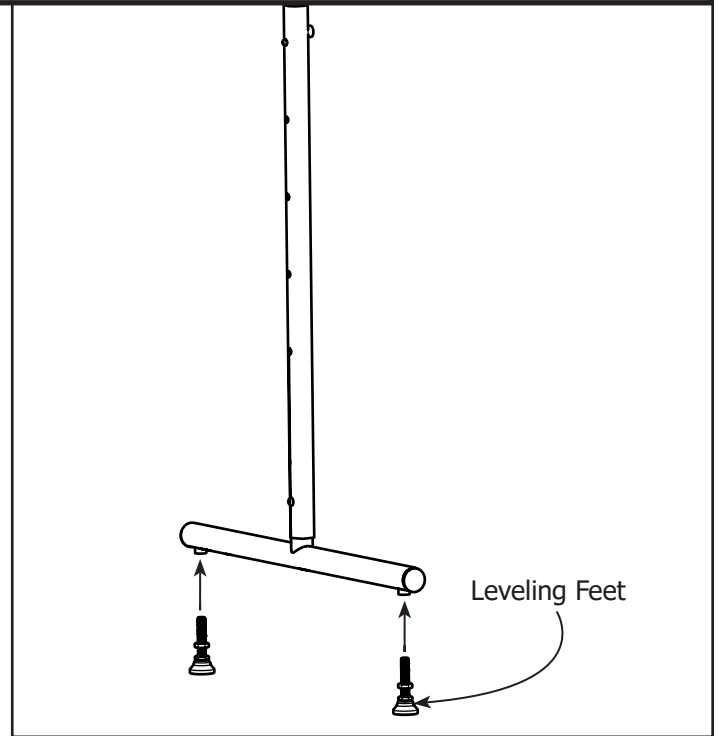


1-6 Attach both Foot Sections to Bottom Legs using (1) M6 x 10mm SBHCS on each side.

Table-top Assembly Instructions



1-5 Connect the Top Leg to the Foot Section with an M6 x 10mm SBHCS. Repeat on other side.

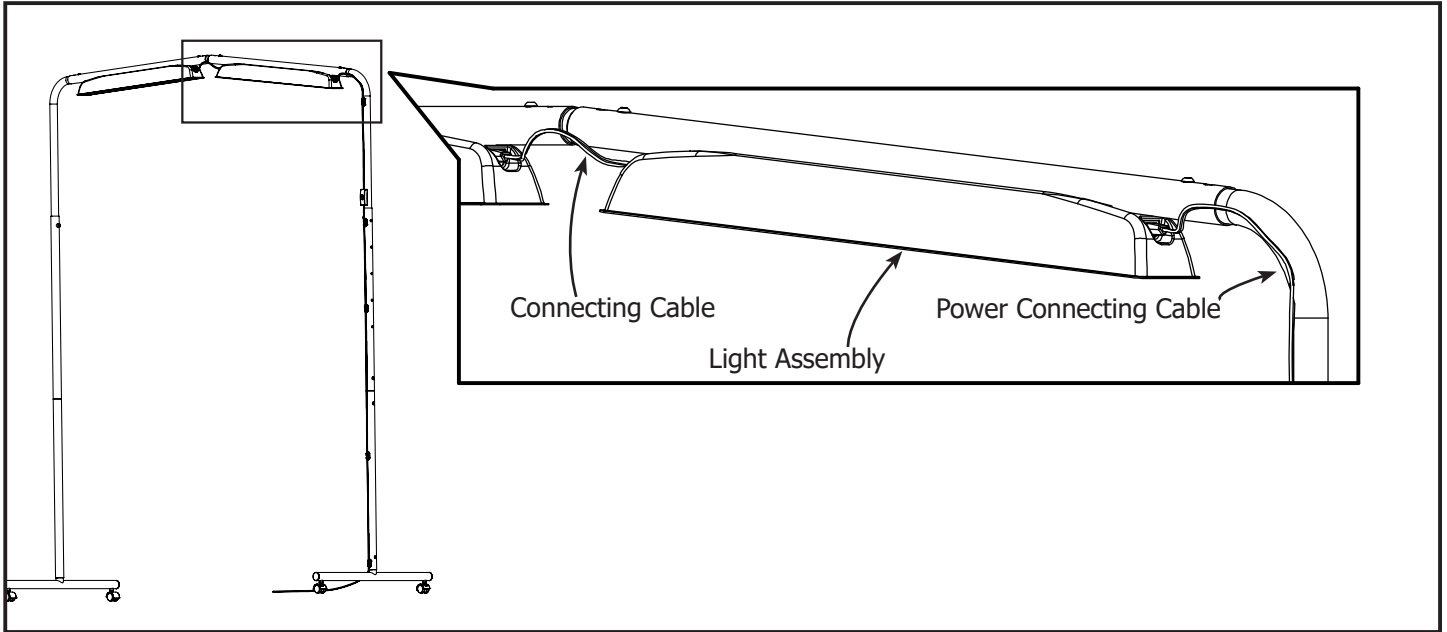


1-6 Remove the Coasting Wheels and install the Leveling Feet so the light can be placed securely on a table.

Step 2: Cable Connection and Management

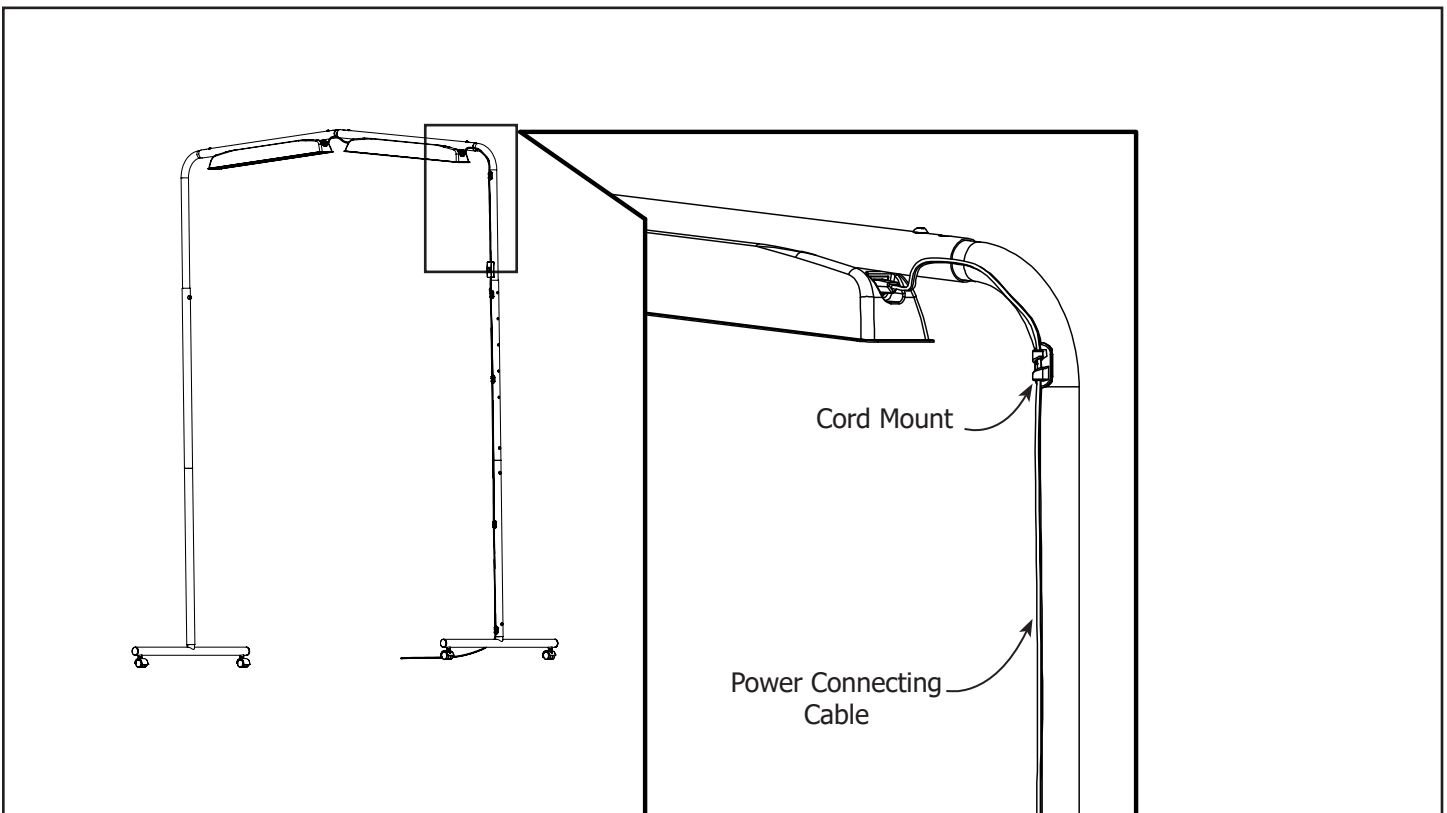
Parts List:

1. Connecting Cable (1)
2. Power Connecting Cable (1)
3. Cord Mounts (5)



2-1 Plug in Connecting Cables between all Light Assemblies.

2-2 Plug in Power Connecting Cable to the other side of Light Assembly.



2-3 Install Cord Mounts by removing paper cover on tape and evenly space down side of light bar.

2-4 Insert cable into Cord Mounts.