

# Bungee Clamp Instructions

**Operation:** To release tension on the clamp, press the bungee release lever (Fig. 1 and Fig. 2). The bungee stop will release clamping when the button is depressed (Fig. 2).

**Assembly:** Pass the bungee cord through the bungee mounting bracket holes of the frame ends and bungee stop (Fig 3). The bungee stop allows tensioning of bungee clamp to the quilting frame (Fig 2).

**Fabric Application:** Slip the fabric and batting into the mouth of the bungee clamp (Fig. 5 and Fig. 6).

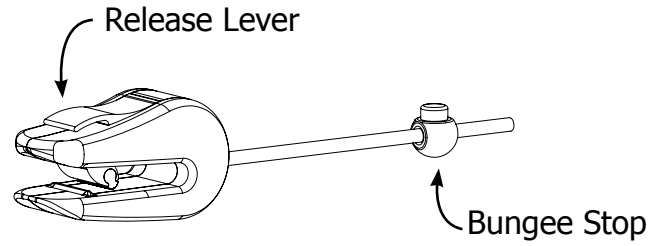


Fig. 1

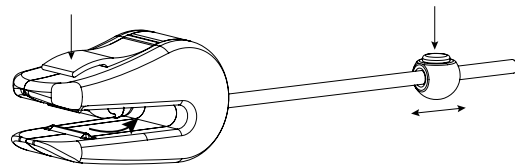


Fig. 2

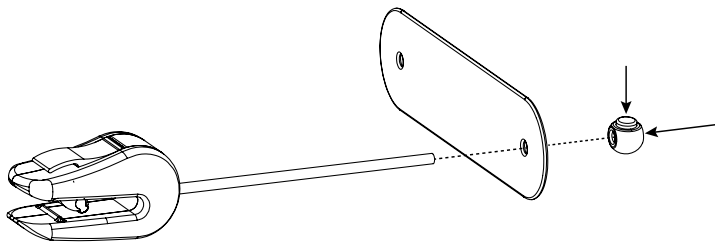


Fig. 3

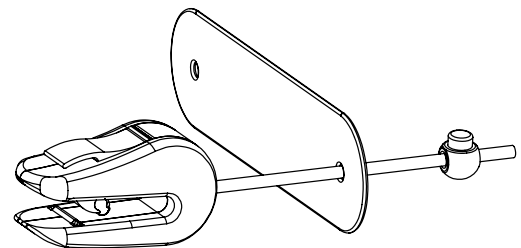


Fig. 4

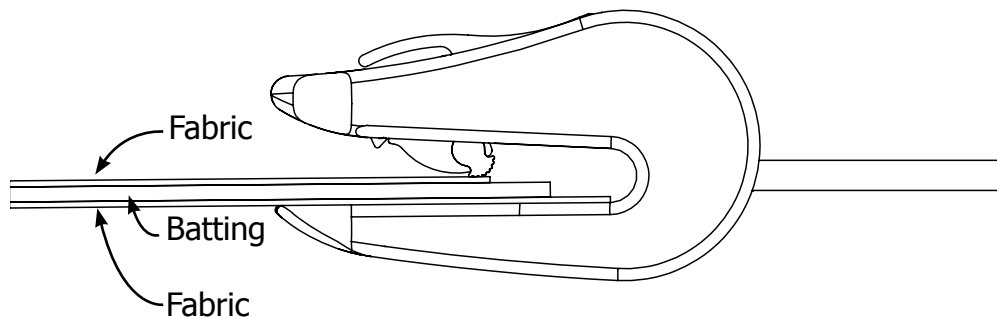


Fig. 5

**Note:** If the clamp lever is on the batting layer, flip the clamp over so that the lever is gripping the fabric layer instead of the batting (Fig. 6).

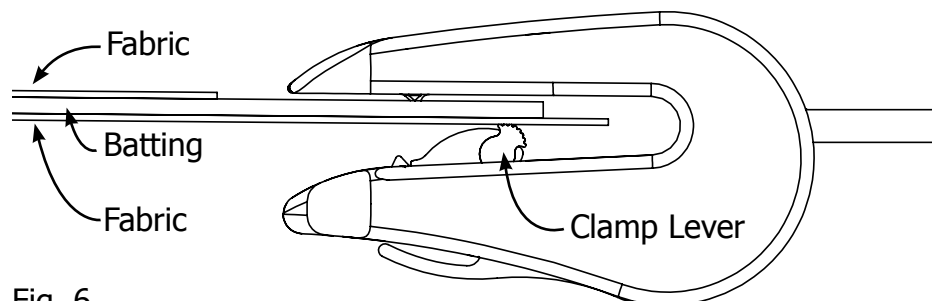


Fig. 6