



INSTRUCTION MANUAL

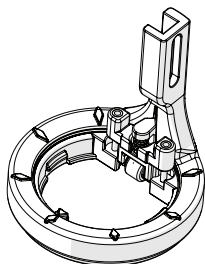
Grace
COMPANY

Copyright 11/5/2021
Version 2.0

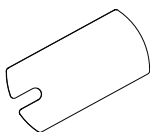
Table of Contents

Included Parts and Tools.....	3
Changing the Lens	5
Installing the 360 Wonderfoot.....	6
Reinstalling the Standard Hopping Foot.....	11

Included Parts and Tools



360 Wonderfoot
ACC-09-15216



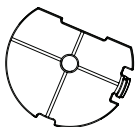
**Hopping Foot
Height Tool**
SMP-04-12171



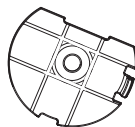
Thumb Screw 4 mm
HDW-03-15109



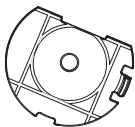
SHCS M3 x 8 mm
HDW-03-10966



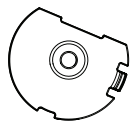
Lens A - Stitch in the Ditch
ACC-05-15206



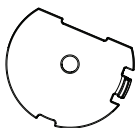
Lens B - 1/4" Offset
ACC-05-15207



Lens C - 3/8" Offset
ACC-05-15208



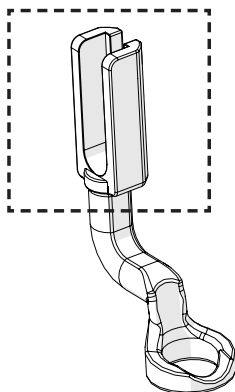
Lens D - 1/4" Offset Circle
ACC-05-15211



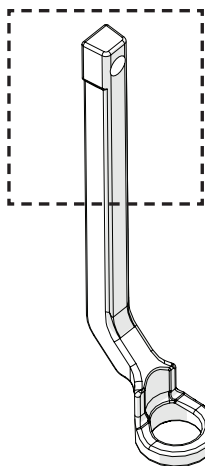
Lens E - Clear
ACC-05-15210



Check the style of hopping foot currently installed on your machine.



Continue to the installation instructions.

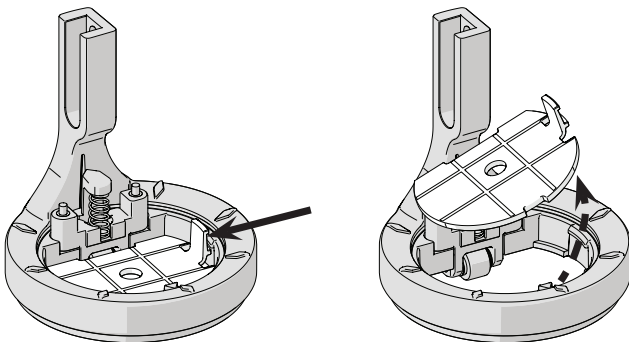


Install the **Standalone Hopping Foot Collar** upgrade. Purchase from www.graceframe.com.

Changing the Lens

To remove:

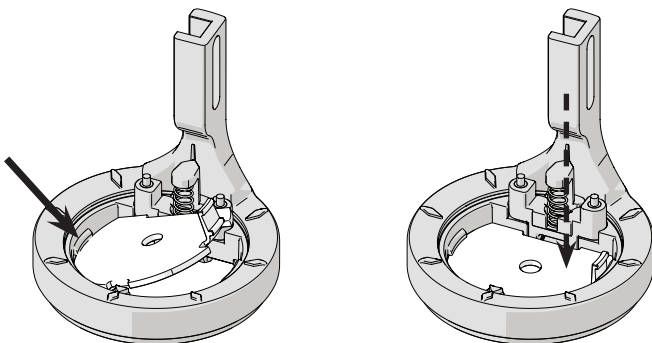
Push the tab inward to pop out the lens.



Use a small, flat object. You don't want to touch the machine needle!

To install:

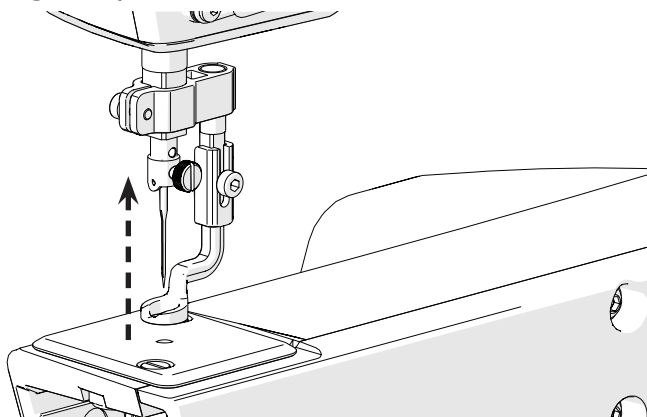
Slide the lens under the inside ridge, then push down.



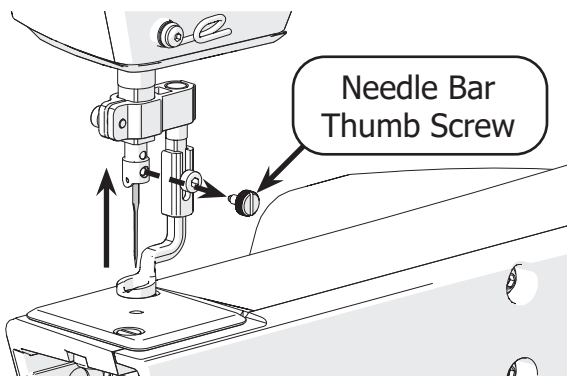
Installing the 360 Wonderfoot

Take the following steps to remove the hopping foot and install the 360 Wonderfoot:

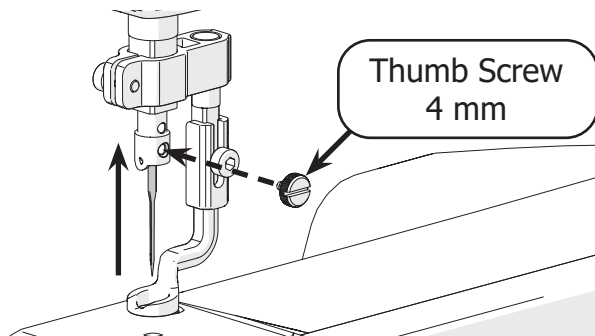
- 1 Use the hand wheel to raise the needle to the highest position.



- 2 While holding the needle in place, remove the **needle bar thumb screw**. If needed, loosen with a flat head screwdriver (not included).

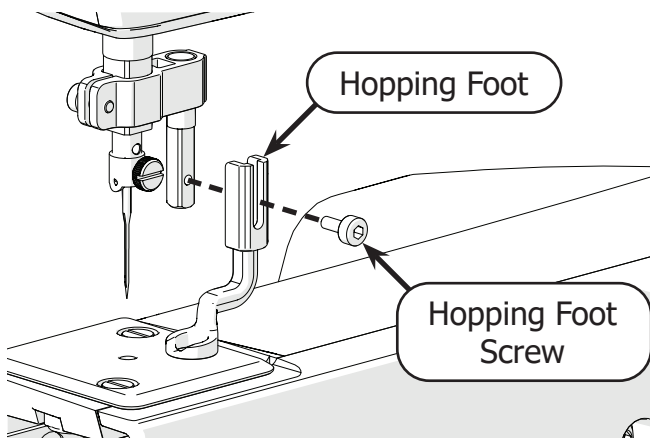


- 3 While still holding the needle in place, attach the new **4 mm thumb screw**. If using a flat head screwdriver, do not over-tighten the screw.

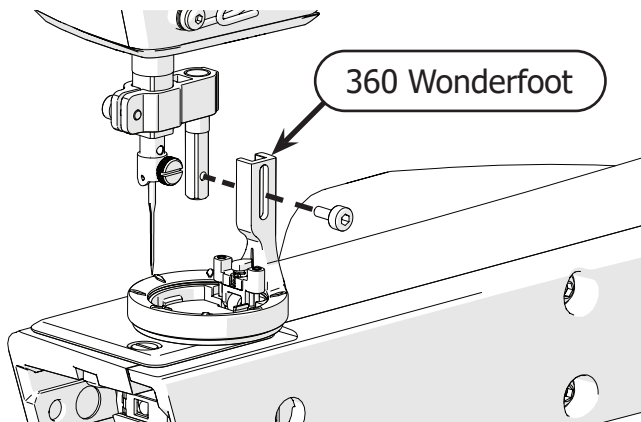


If the needle moves, use your needle magnet to realign it (see machine manual for details).

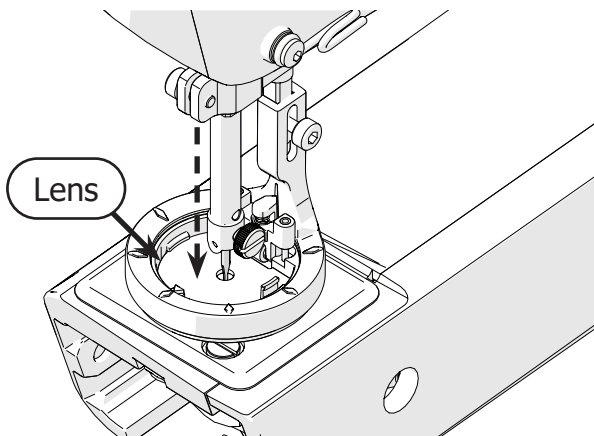
- 4 Use a 3 mm Allen wrench (not included) to remove the **hopping foot screw** and the **hopping foot**.



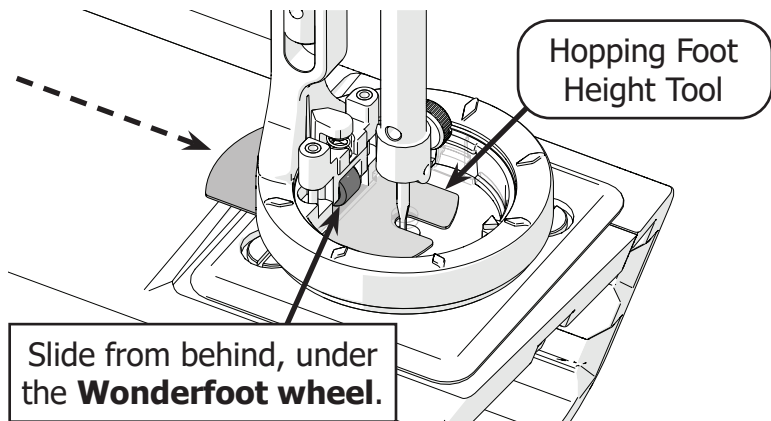
- 5 Slide the **360 Wonderfoot** onto the hopping foot collar. Attach with the 3 mm Allen wrench and hopping foot screw, but do not tighten.



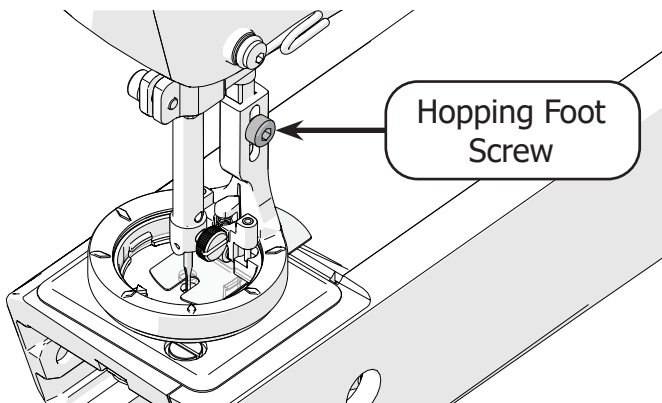
- 6 Slowly lower the needle with the hand wheel. The needle should dip into the center hole without contacting the **lens**.



- 7 Continue until the needle reaches its lowest position, then slide the **hopping foot height tool** under the 360 Wonderfoot.



- 8 Adjust the 360 Wonderfoot so it rests evenly on the height tool, then tighten the **hopping foot screw** with the 3 mm Allen wrench. Remove the height tool when finished.

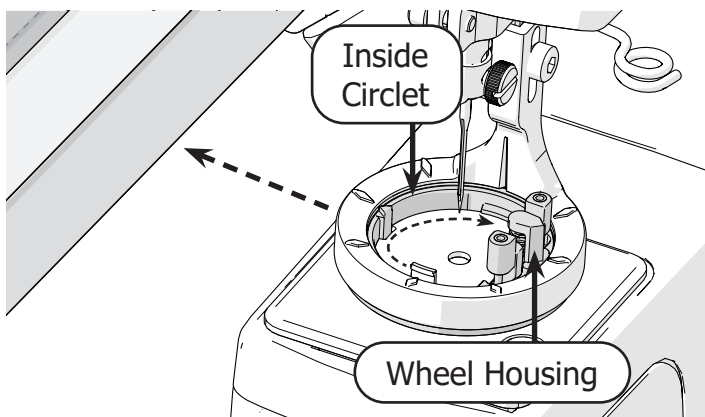


Tips:

- Use the included tutorial patterns to practice with each 360 Wonderfoot lens. You can download and reprint the patterns at the following link: graceframe.com/en/accessories/360-wonderfoot



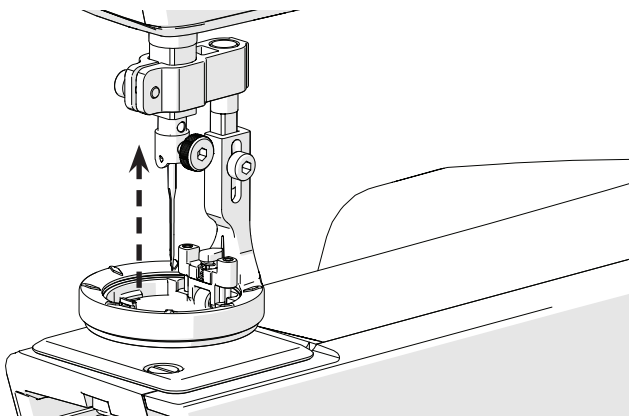
- Before moving the machine onto fabric, rotate the **inside circlet** so the **wheel housing** is on the far end, away from the fabric edge. This will prevent the circlet from catching on the fabric.



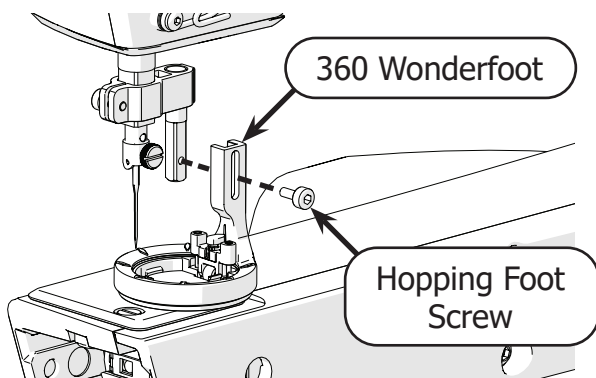
Reinstalling the Standard Hopping Foot

Take the following steps to remove the 360 Wonderfoot and reinstall the standard hopping foot:

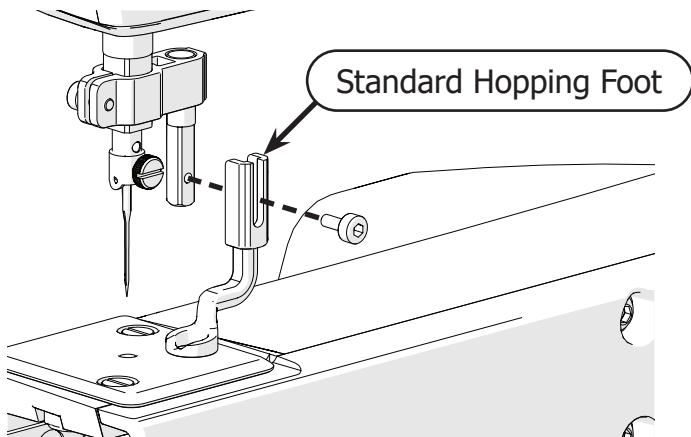
- 1 Use the hand wheel to raise the needle to the highest position.



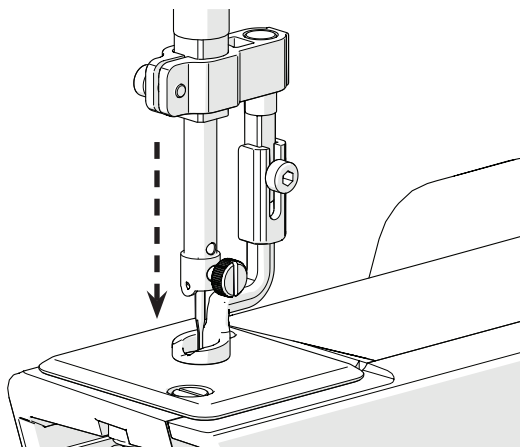
- 2 Use a 3 mm Allen wrench (not included) to remove the **hopping foot screw** and the **360 Wonderfoot**.



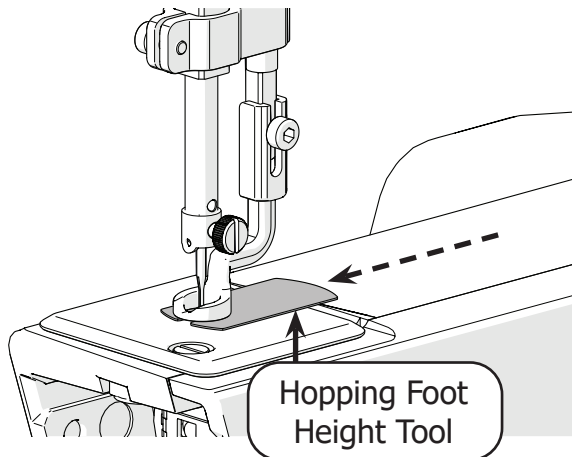
- 3 Slide the **standard hopping foot** onto the collar. Attach with the 3 mm Allen wrench and hopping foot screw, but do not tighten.



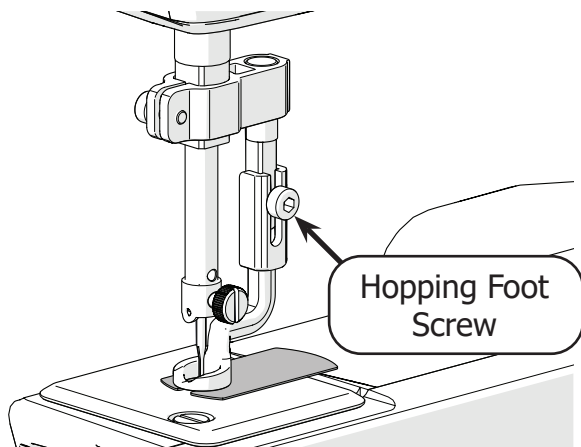
- 4 Slowly rotate the hand wheel until the needle is in the lowest position. If the hopping foot gets stuck, loosen the screw more.



- 5 Slide the **hopping foot height tool** under the hopping foot.



- 6 Adjust the hopping foot so it rests evenly on the height tool, then tighten the **hopping foot screw** with the 3 mm Allen wrench.



Grace
COMPANY

www.graceframe.com
1-800-264-0644