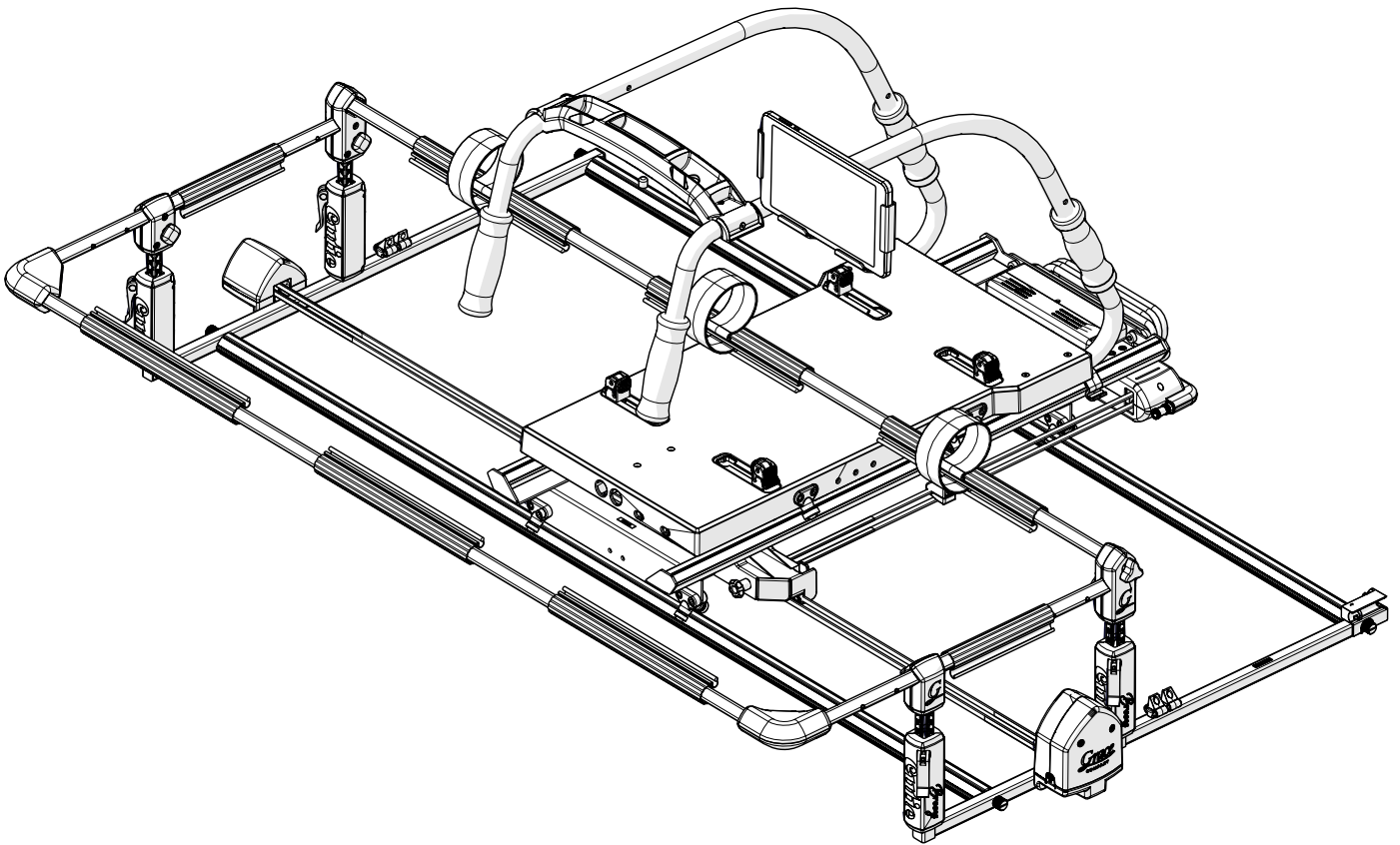


# QuiltMotion

FOUNDATIONS

for Domestic Machines



Assembly Instruction Manual

*Grace*  
COMPANY

## **Save these instructions.**

Copyright © 2025 Grace Company. All rights reserved. Grace Company reserves the right to make improvements and changes to the product described in this publication at any time and without notice, and may revise this publication occasionally without notice.

Grace Company provides this publication “as-is.” While every attempt at accuracy and clarity has been made in the preparation of this manual and its representation of the product, the publisher and author assume no responsibility for errors, omissions, or any damages as a result of said errors or omissions.

All brand names, publishing activities and trademarks used in this publication are the trademarks, service marks, or trade names of their respective holders.

First Published: September 10, 2025

Last Updated: December 2, 2025

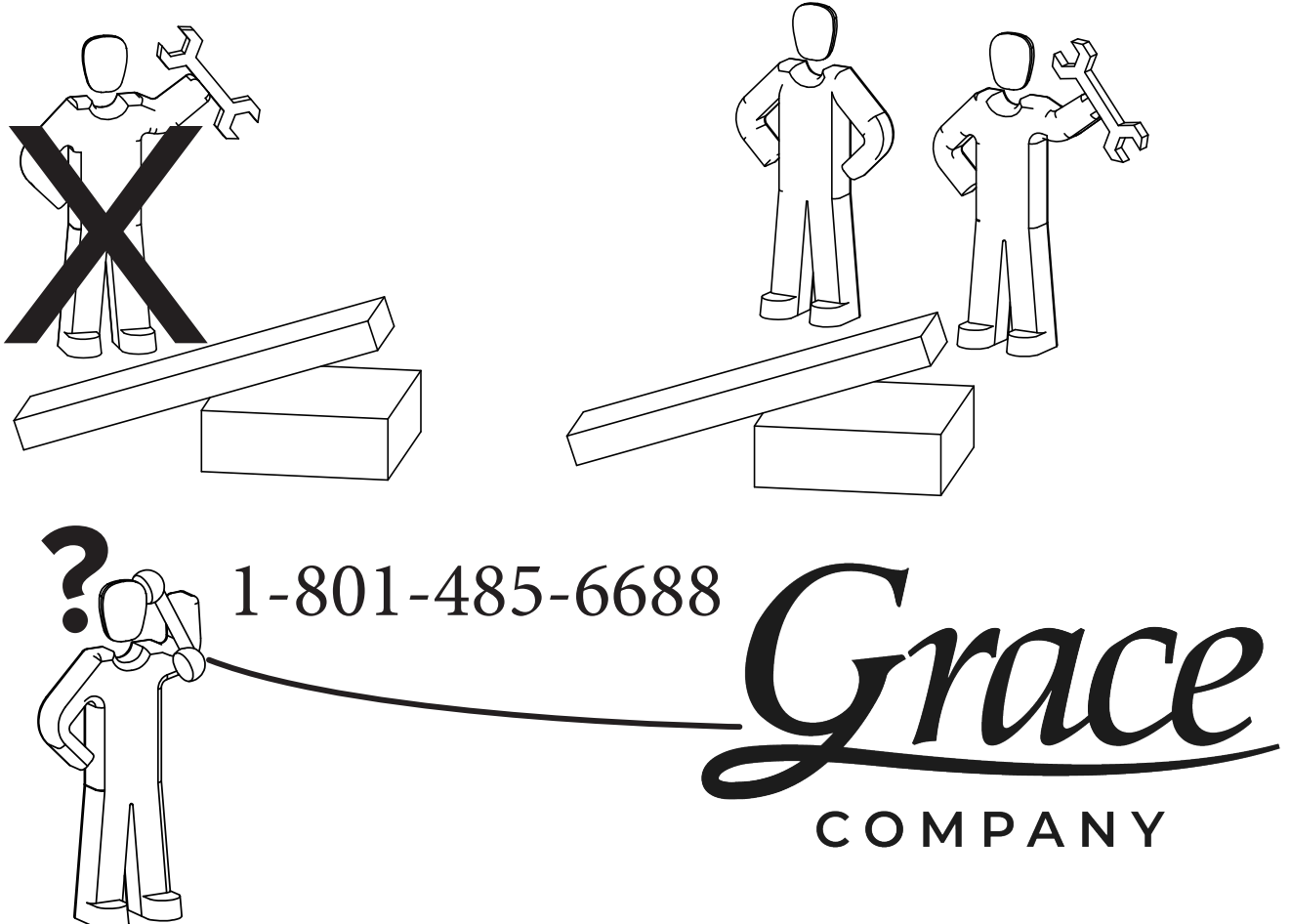
# Warranty Information

QuiltMotion X Foundations (for domestic machines) has a one-year limited warranty on all parts. Grace Company will, at its discretion, repair or replace any part(s) with material or manufacturing defects. The customer is responsible for all shipping costs. Upon receipt of the product, Grace Company will determine whether to repair or replace the defective product or part(s). This warranty does not cover parts that are damaged through misuse, improper storage, improper assembly, loss, natural events, or willful destruction.

All customers requesting support will be required to provide a proof of purchase and registration if no warranty card is present and applicable. Grace Company product warranties are still valid if bought from an authorized Grace Company dealer. Grace Company is not subject to dealer warranties. Warranties do not transfer over to a secondary owner.

For more warranty and registration information, visit the following link:

<https://graceframe.com/en/warranty/info>



# Important Safeguards

**When using an electrical appliance, basic safety precautions should always be followed, including the following:**

Read all instructions before using.

Only for household use.

**DANGER:** To reduce the risk of electric shock, do not leave the machine unattended when plugged in. Always unplug this machine from the electric outlet immediately after using and before cleaning.

**WARNING:** To reduce the risk of burns, fire, electric shock, or injury to persons:

- This appliance is not to be used by persons (including children) with reduced physical, sensory, or mental capabilities, or lack of experience and knowledge, unless they have been given supervision or instruction concerning the use of the appliance and understand the hazards involved.
- Do not allow to be used as a toy. Close attention is necessary when this appliance is used by or near children.
- Children should be supervised to ensure that they do not play with the appliance. Children shall not play with the appliance.
- Cleaning and user maintenance shall not be performed by children without supervision.
- Keep fingers away from belts and pulleys while the machine is moving.
- Use this machine only for its intended purpose and use as described in this manual. Use only attachments recommended by the manufacturer as contained within this manual.
- Never operate this machine if it has a damaged cord or plug, it is not working properly, or it has been dropped, damaged, or dropped into water. Return the machine to the nearest authorized dealer or service center for examination, repair, or electrical or mechanical adjustment.
- Never operate the machine with any air openings blocked. Keep ventilation openings of the machine freed from the accumulation of lint, dust, and loose cloth.
- Never drop or insert any object into any opening.
- The appliance is intended for indoor use only. Do not use outdoors.
- Do not operate where aerosol (spray) products are being used or where oxygen is being administered.
- Connect this appliance to a properly grounded outlet only. See grounding instructions on the next page.
- To disconnect, turn all controls to the off position, then remove the plug from the outlet by grasping the plug. Do not pull on the cord. Always switch off or unplug the appliance when leaving it unattended.
- Do not unplug by pulling on the cord. To unplug, grasp the plug, not the cord.
- If the supply cord is damaged, it must be replaced by the manufacturer, its service agent or similarly qualified persons in order to avoid a hazard.
- Always unplug the machine from the electrical outlet when removing covers, lubricating, or when making any other user servicing adjustments mentioned in the instruction manual.
- **CAUTION:** In order to avoid a hazard due to inadvertent resetting of the thermal cut-out, this appliance must not be supplied through an external switching device, such as a timer, or connected to a circuit that is regularly switched on and off by the utility.

If you are using this machine in an area with inconsistent input power, it is recommended that you use a surge protector that is connected to a backup battery supply.

These instructions indicate how the machine is intended to be used and how to install the machine.

**SAVE THESE INSTRUCTIONS**

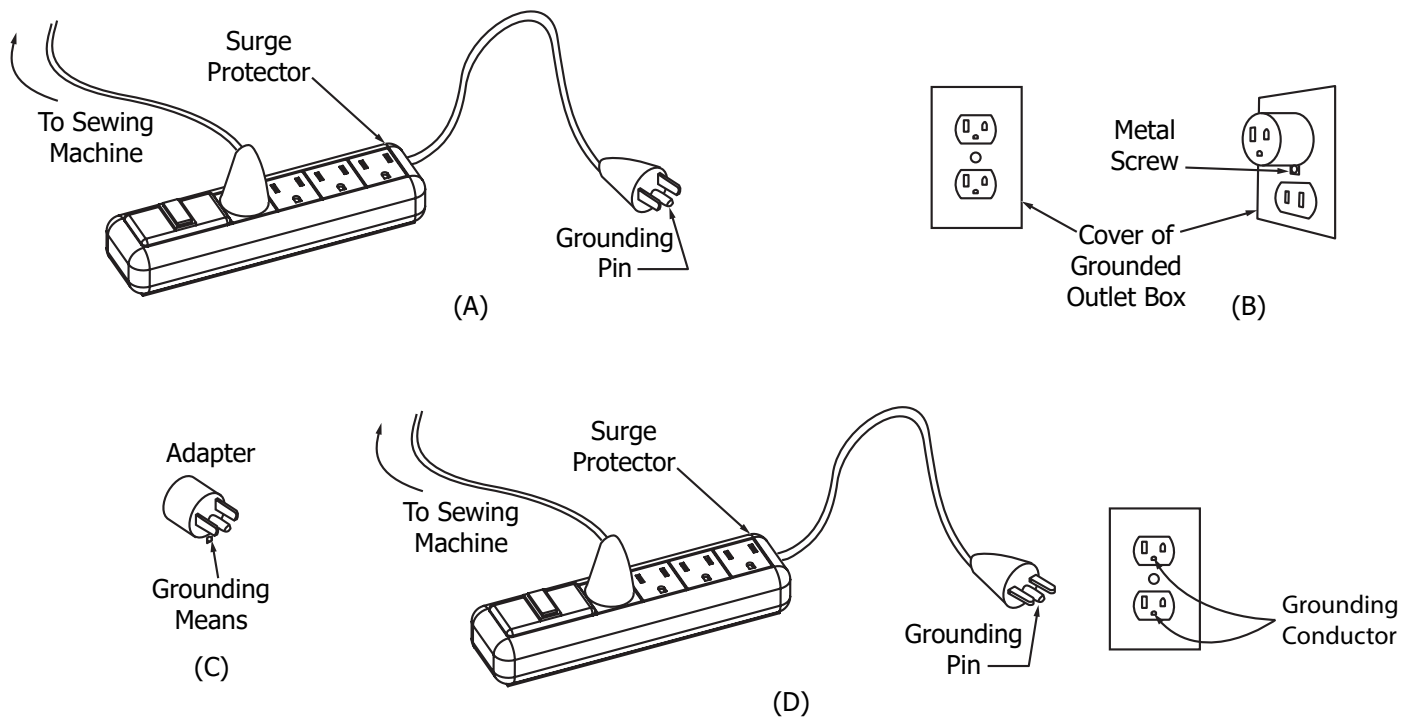
## GROUNDING INSTRUCTIONS

This product must be grounded. In the event of malfunction or breakdown, grounding provides a path of least resistance for electric current to reduce the risk of electric shock. This product is equipped with a cord that has an equipment-grounding conductor and a grounding plug. Plug the cord from the machine into a surge protector. The surge protector must be plugged into an appropriate outlet that is properly installed and grounded in accordance with all local codes and ordinances.

**DANGER:** Improper connection of the equipment-grounding conductor can result in a risk of electric shock. The conductor with insulation having an outer surface that is green, with or without yellow stripes, is the equipment-grounding conductor. If repair or replacement of the cord or plug is necessary, do not connect the equipment-grounding conductor to a live terminal. Check with a qualified electrician or service person if the grounding instructions are not completely understood, or if in doubt as to whether the product is properly grounded.

Do not modify the plug provided with the product. If it will not fit the outlet, have a proper outlet installed by a qualified electrician.

### Grounding Methods



This product is for use on a nominal 120 V circuit, and has a grounding pin as illustrated above (A). A temporary adapter, shown in (B) and (C), may be used to connect this plug to a 2-pole receptacle (B) if a properly grounded outlet is not available. The temporary adapter should be used only until a properly grounded outlet can be installed by a qualified electrician. The green colored rigid ear, lug, and the like, extending from the adapter must be connected to a permanent ground such as a properly grounded outlet box cover. Whenever the adapter is used, it must be held in place by the metal screw.

**A qualified electrician should be consulted if there is any doubt as to whether an outlet box is properly grounded.**

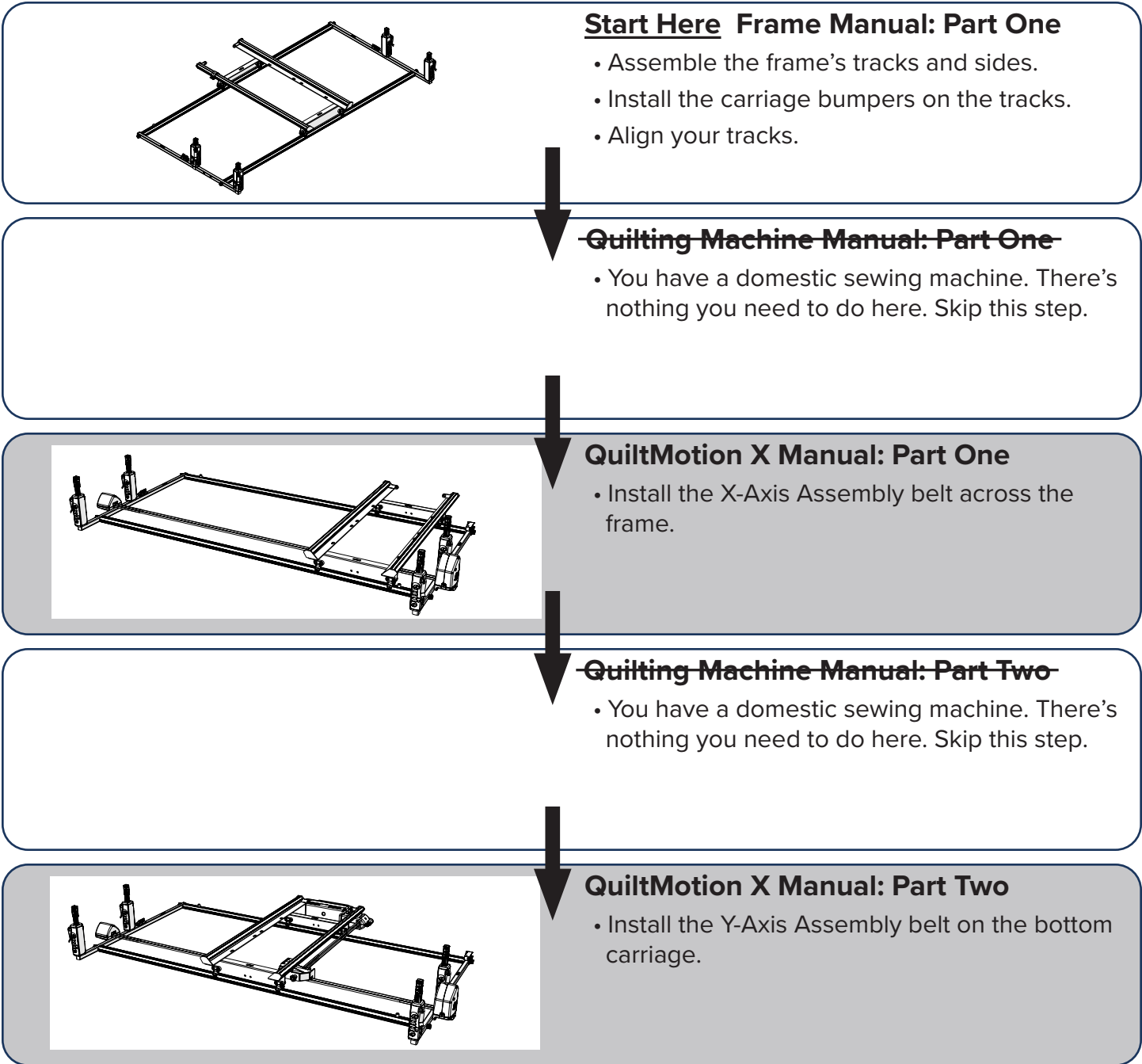
# Welcome to QuiltMotion X Foundations (for domestic machines)

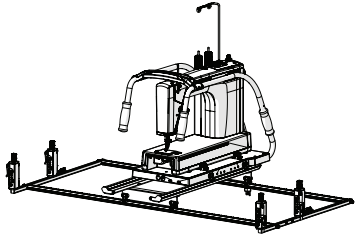
We are pleased to introduce you to the newest part of your quilting setup.

If you purchased any other Grace Company products with your machine, use the flowchart below to guide you in assembling your products. Follow the instructions in the part of the manual listed in the chart. At the end of each part, there are notifications to direct you to switch manuals for your next instructions, if needed.

Thank you again for choosing us to help with your quilting projects.

- Grace Company





### Frame Manual: Part Two

- Prepare the top plate and domestic sewing machine.
- Place the top plate on the frame and install your machine onto the top plate.

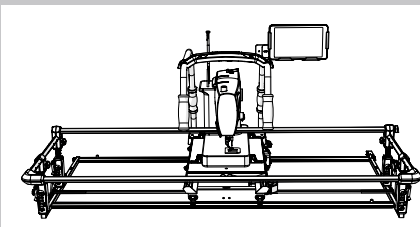
### ~~Quilting Machine Manual: Part Three~~

- You have a domestic sewing machine. There's nothing you need to do here. Skip this step.



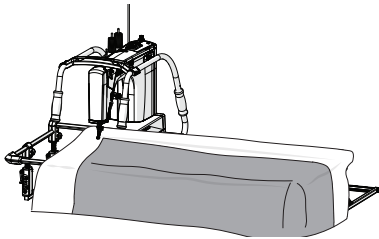
### Frame Manual: Part Three

- Install the rails.
- Position and adjust the rails.
- Adjust the carriage stop.



### QuiltMotion X Manual: Part Three

- Attach the Y-Axis Belt Clamp.
- Install the tablet tray.
- Manage the cables.
- Access QuiltMotion X Foundations.



### Frame Manual: Part Four

- Prepare your machine for quilting.
- Attach the fabric.
- Move zones.

### ~~Quilting Machine Manual: Part Four~~

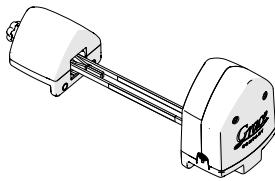
- You have a domestic sewing machine. There's nothing you need to do here. Skip this step.

# Contents

Warranty Information.....	iii
Important Safeguards .....	iv
Welcome to QuiltMotion X Foundations (for domestic machines).....	vi
Included Parts & Tools .....	ix
<b>Part One.....</b>	<b>1</b>
Task 1 - Attach the Cable Guide .....	2
Task 2 - Attach the X-Axis Assembly .....	4
<b>Part Two.....</b>	<b>7</b>
Task 3 - Attach the Y-Axis Pulley Mount.....	8
Task 4 - Attach the Y-Axis Assembly.....	9
<b>Part Three.....</b>	<b>13</b>
Task 5 - Attach the Y-Axis Belt Clamp.....	14
Task 6 - Attach the Tablet .....	17
Task 7 - Manage the Cables.....	24
Task 8 - Create or Log in to Your Account.....	30
Task 9 - Access the Software & Connect to QMX.....	32
Task 10 - Home Your Device .....	35
Task 11 - Define the Frame Space .....	38
Task 12 - Prepare Your Machine .....	41

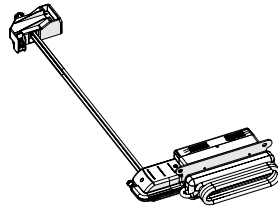
# Included Parts & Tools

X-Axis  
Assembly



QMX-09-21745

Y-Axis  
Assembly



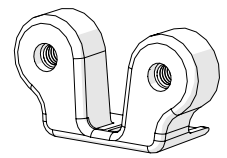
QMX-09-21749

Y-Axis  
Belt Clamp



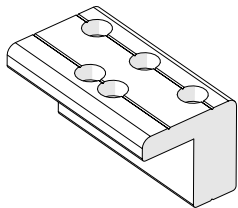
QMX-09-21747

Y-Axis Belt Clamp -  
Back



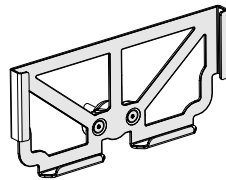
QMX-09-19172

Y-Axis Pulley  
Mount



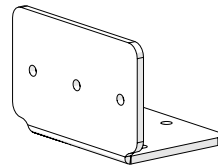
QMX-09-19489

Tablet  
Tray



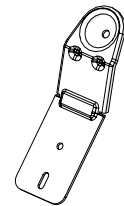
QMX-09-21754

QCT Tablet Angle  
Support Bracket



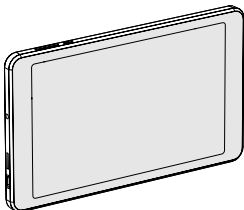
QMN-04-11454

QT Breeze QCT  
Tablet Bracket



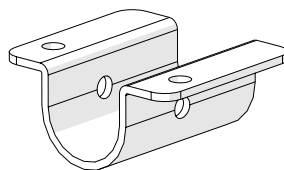
QMN-04-17856

Tablet



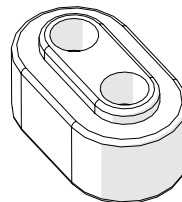
QMX-02-19186

QCT Top Plate  
U-Bracket



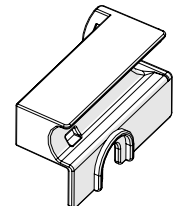
QMN-04-11455

Y-Axis Pulley Mount -  
Mounting Nut



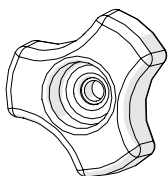
QMX-05-19161

X-Axis Corner Cable  
Guide



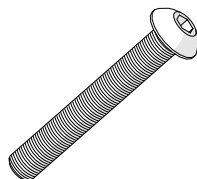
QMX-05-19162

Plastic Knob M6



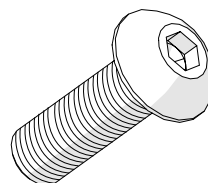
PLA-05-10320

SBHCS  
M5 x 35 mm



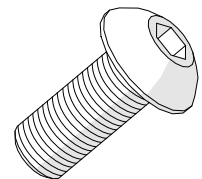
HDW-03-10281

SBHCS  
M5 x 16 mm (x6)



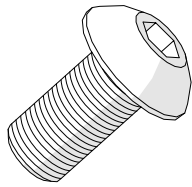
HWD-03-10857

SBHCS  
M5 x 12 mm (x2)



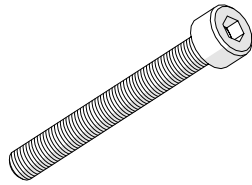
HDW-03-11387

SBHCS  
M5 x 10 mm (x4)



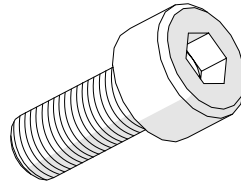
HDW-03-10073

SHCS  
M4 x 35 mm (x3)



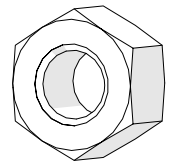
HDW-03-17870

SHCS  
M4 x 10 mm (x2)



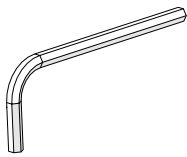
HWD-03-12813

Hex Nut  
M5



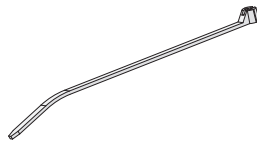
HDW-03-15885

3 mm  
Allen Wrench



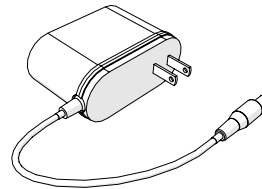
HDW-03-10166

Zip  
Ties



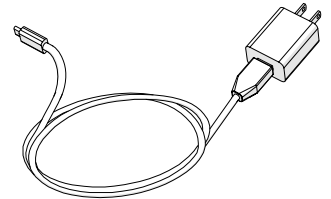
MIS-08-10804

QMX  
Power Adapter



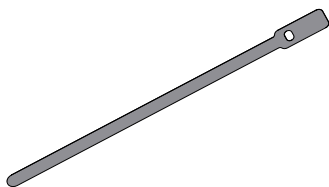
QMX-02-19188

Tablet  
Power Adapter



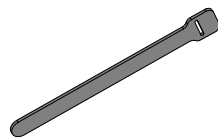
QMX-02-22096

Velcro Strap  
for Power Supply



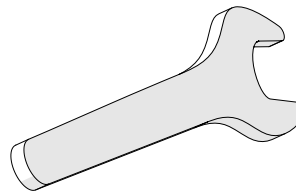
QMN-08-19039

Velcro  
Strip (x2)



MIS-08-10807

Open-End Wrench  
8 mm



HDW-03-21704

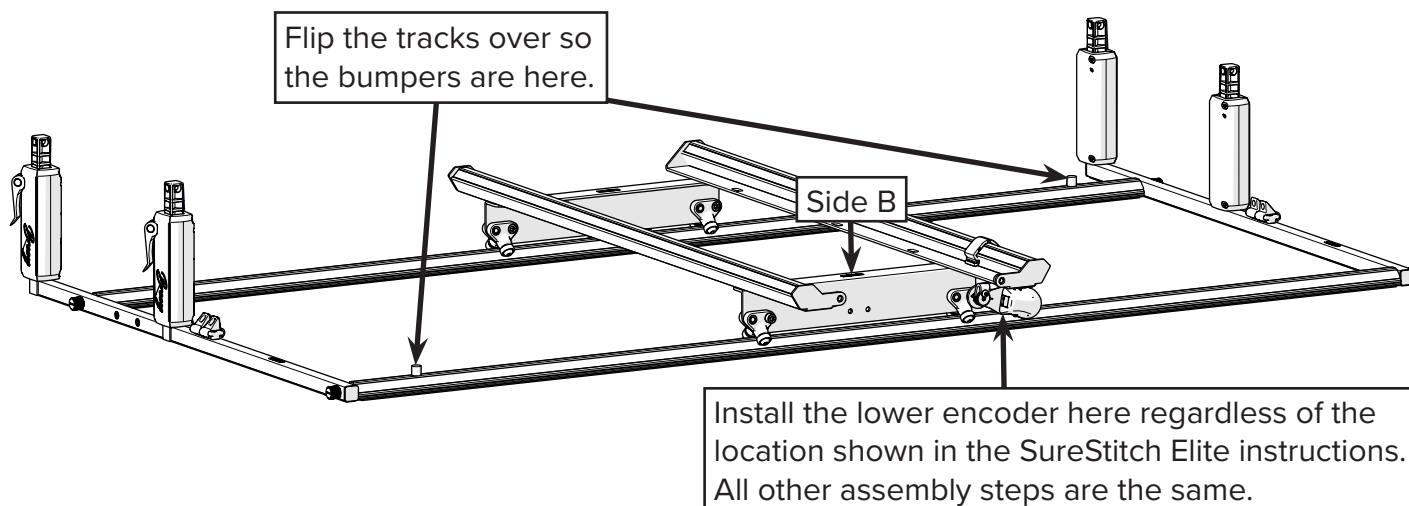
# Part One

## Progress Checkpoint

Have you:

- Assembled the frame's sides and tracks?
- Aligned the tracks using the bottom carriage?

**IMPORTANT:** If you have SureStitch Elite stitch-regulation accessory for your machine, you must install the lower encoder on the back-left wheel holder on the bottom carriage. Side B of the bottom carriage must be in the back for QMX. This might be different than what is shown in your SureStitch Elite assembly instructions, depending on which version of instructions you have.



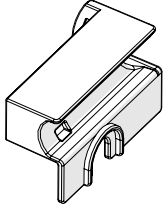
**IMPORTANT:** To prevent reduction of your quilting space with the SureStitch Elite, flip the tracks so the back bumper is on the right side of the frame, and the front bumper must be on the left side of the frame.

## Part One

### Task 1 - Attach the Cable Guide

#### Parts & Tools Needed

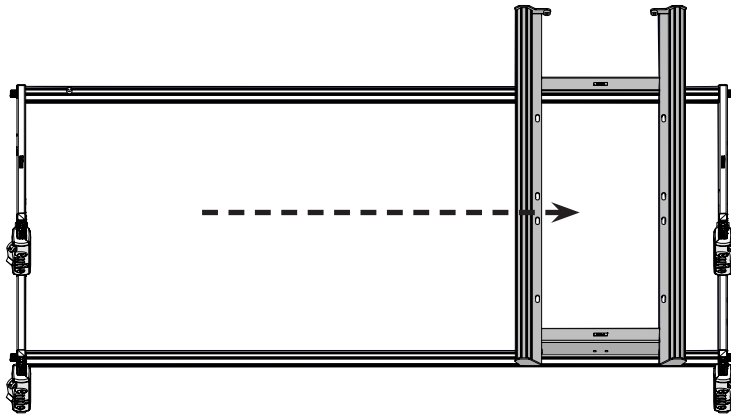
X-Axis Corner Cable Guide



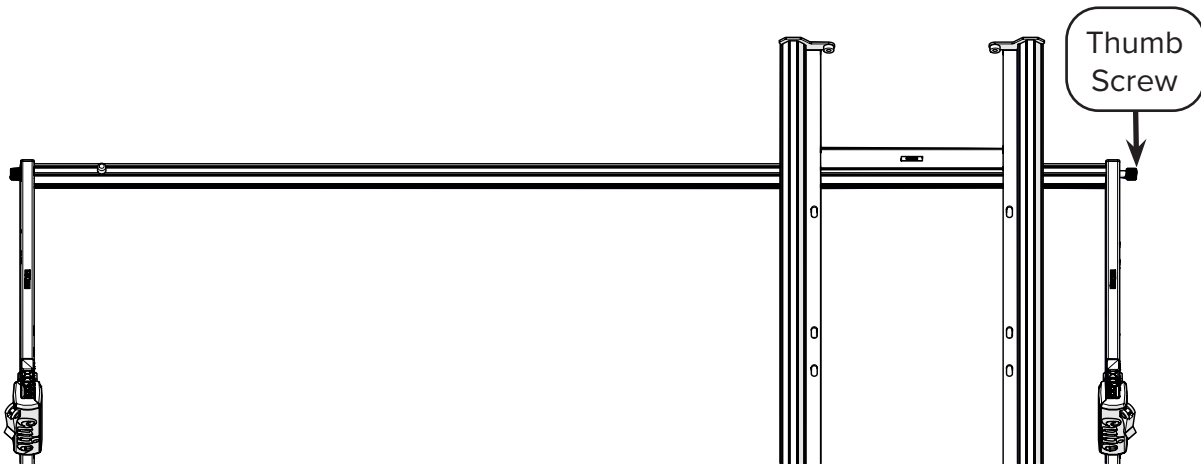
#### Instructions

The cable guide keeps the QuiltMotion X cables from getting dragged onto the tracks where they can be pulled or run over. Take the following steps to install the cable guide:

- 1 Move the bottom carriage to the right side of the frame and keep it there. The carriage helps hold the tracks in place in the next steps.

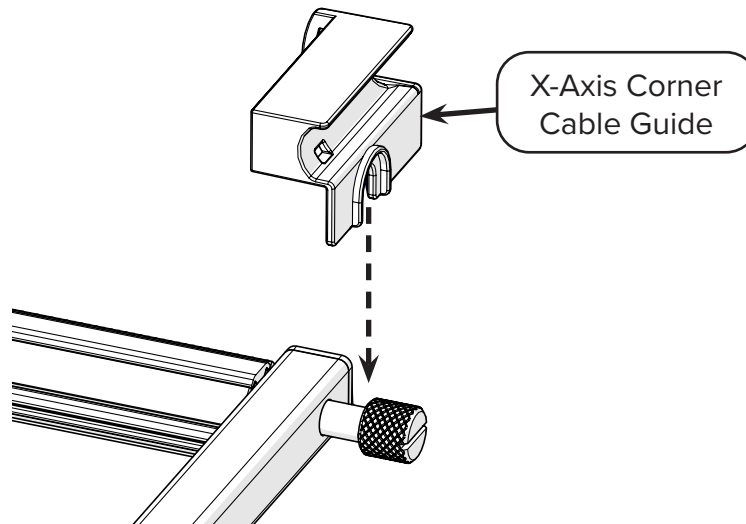


- 2 Loosen the right-side **thumb screw**. Try not to shift the tracks.

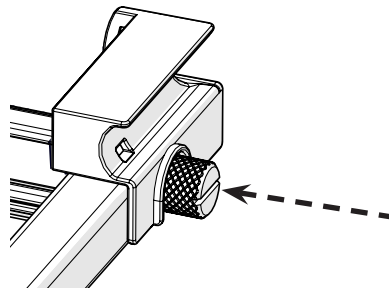


## Task 1 - Attach the Cable Guide (continued)

- 3 Slide the **X-axis corner cable guide** over the frame corner. Try not to shift the tracks.



- 4 Tighten the thumb screw.

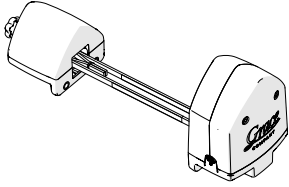


**Note:** If you noticed the tracks shift at all while attaching the cable guide, loosen the thumb screw and run the bottom carriage side-to-side on the tracks a few times to make sure they are aligned. Then fully tighten the thumb screw.

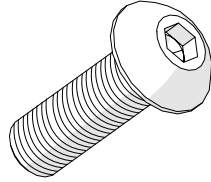
## Task 2 - Attach the X-Axis Assembly

### Parts & Tools Needed

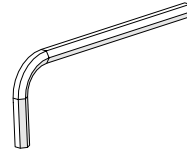
X-Axis  
Assembly



SBHCS  
M5 x 16 mm (x4)



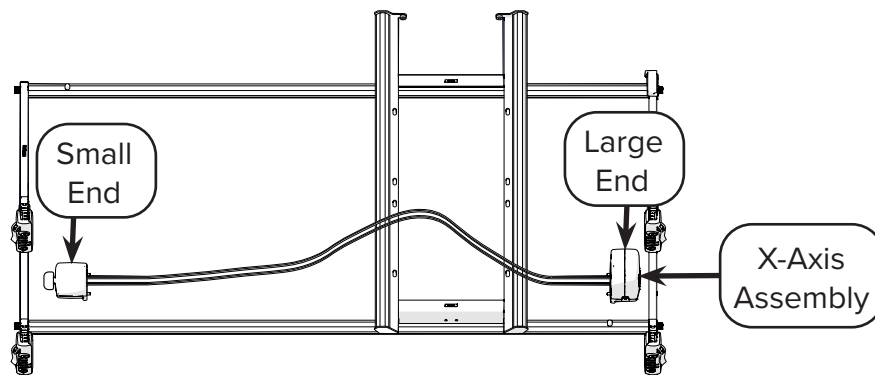
Allen Wrench  
3 mm



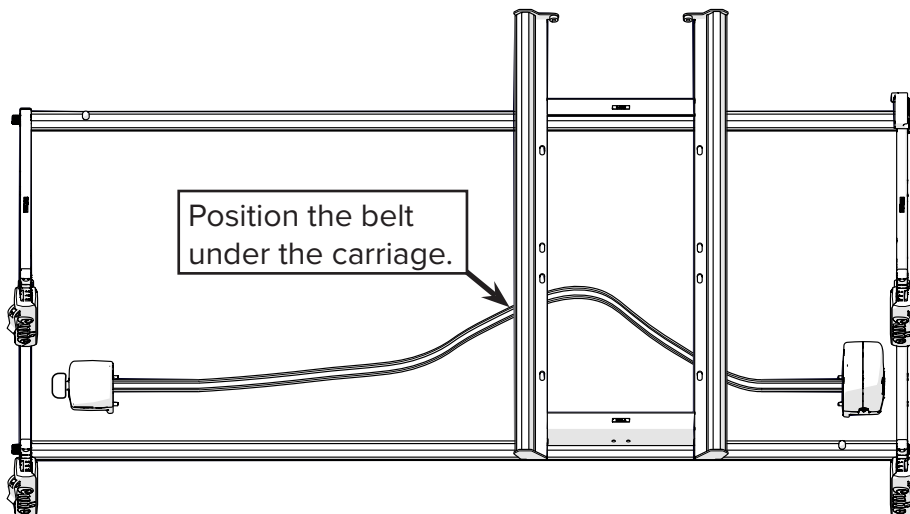
### Instructions

The X-axis assembly shuttles the bottom carriage side-to-side across the frame. Take the following steps to attach the X-axis assembly to your frame:

- 1 Place the **small end** (with the knob) of the **X-axis assembly** on the left side of the frame and the **large end** on the right side of the frame.

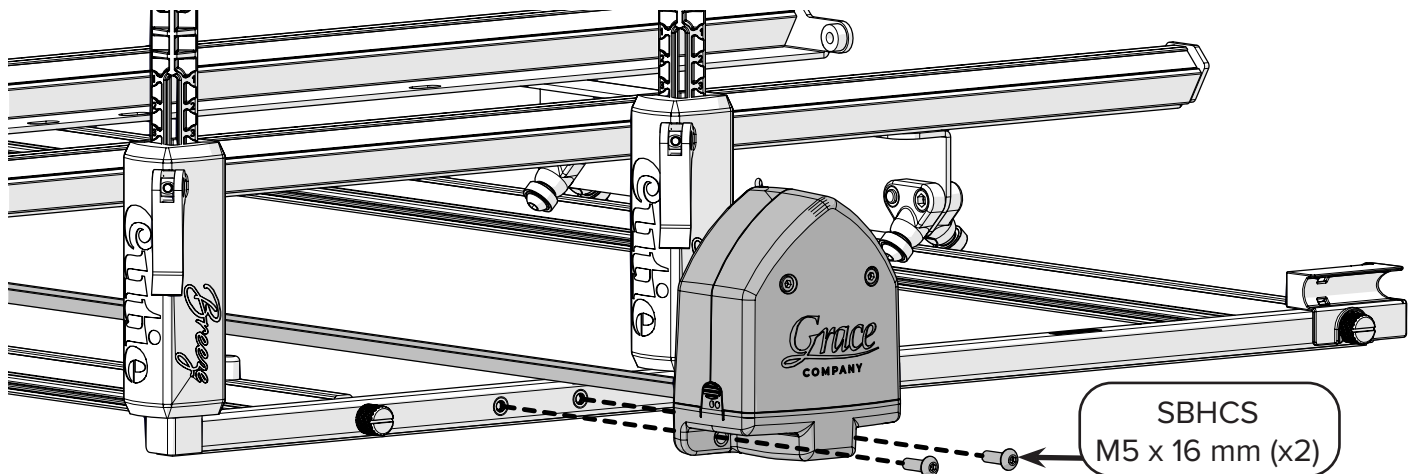


- 2 Tuck the belt under the bottom carriage.

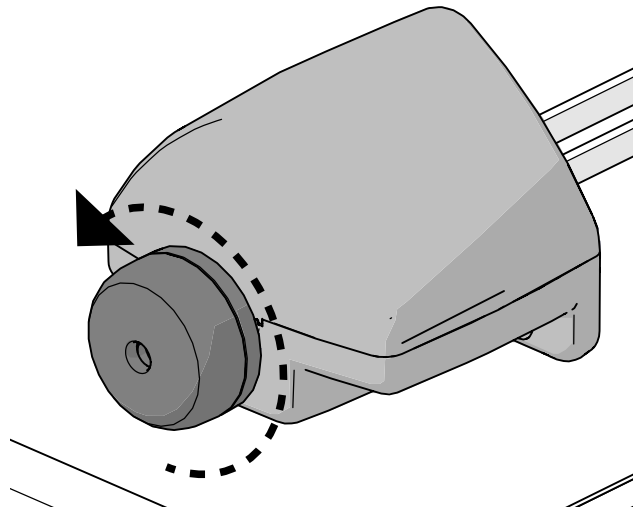


## Task 2 - Attach the X-Axis Assembly (continued)

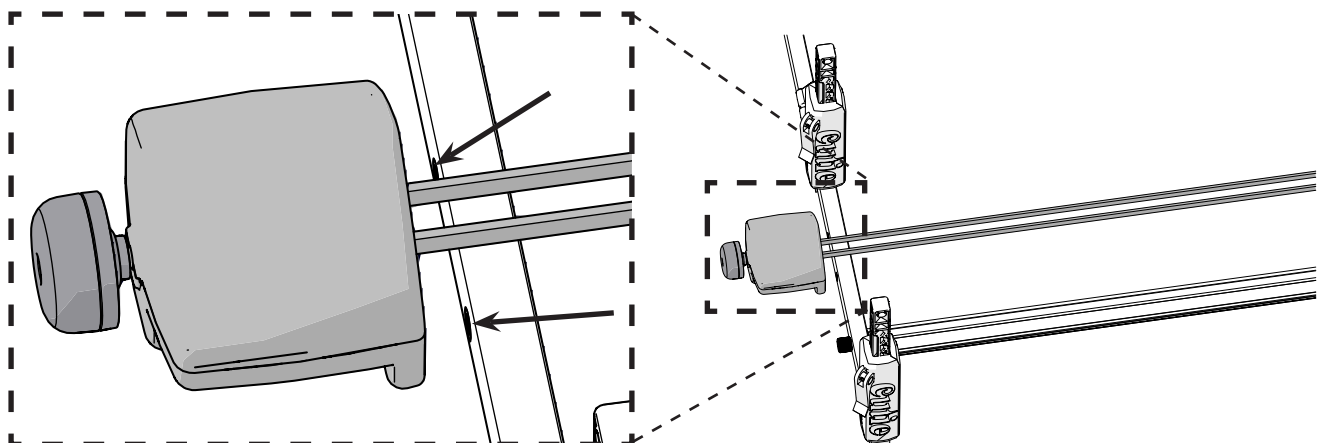
- 3 With the 3 mm Allen wrench and two **M5 x 16 mm SBHCS**, attach the large end of the X-axis assembly to the right side of the frame.



- 4 Loosen the knob on the small end of the X-axis assembly.



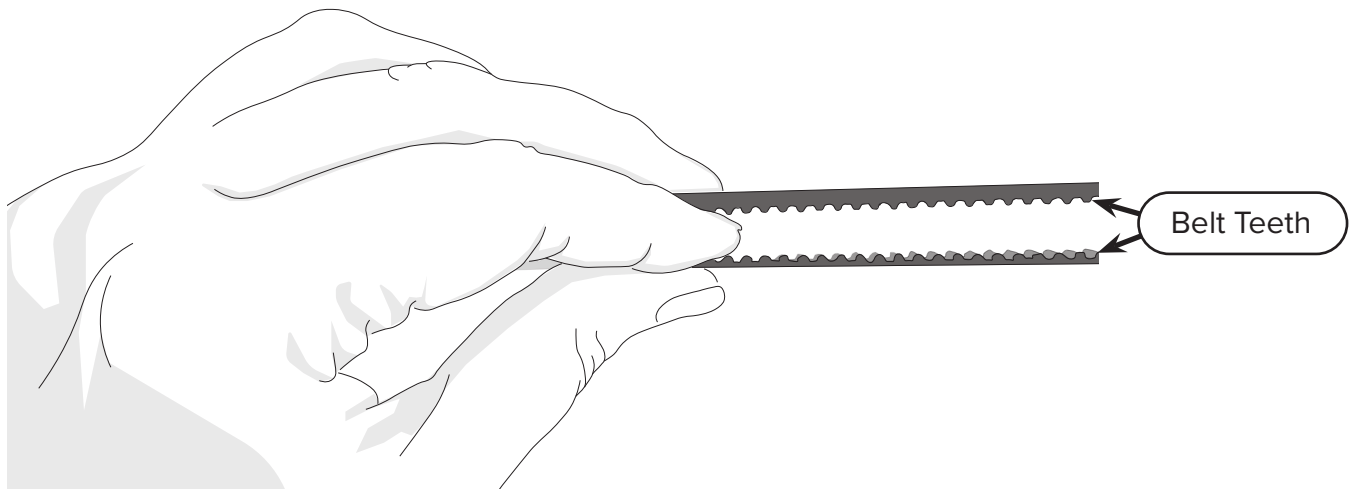
- 5 Position the small end of the X-axis assembly so it aligns with the screw holes on the left side of the frame. **Note:** If the small end cannot reach over the side of the frame, loosen the knob further until it does.



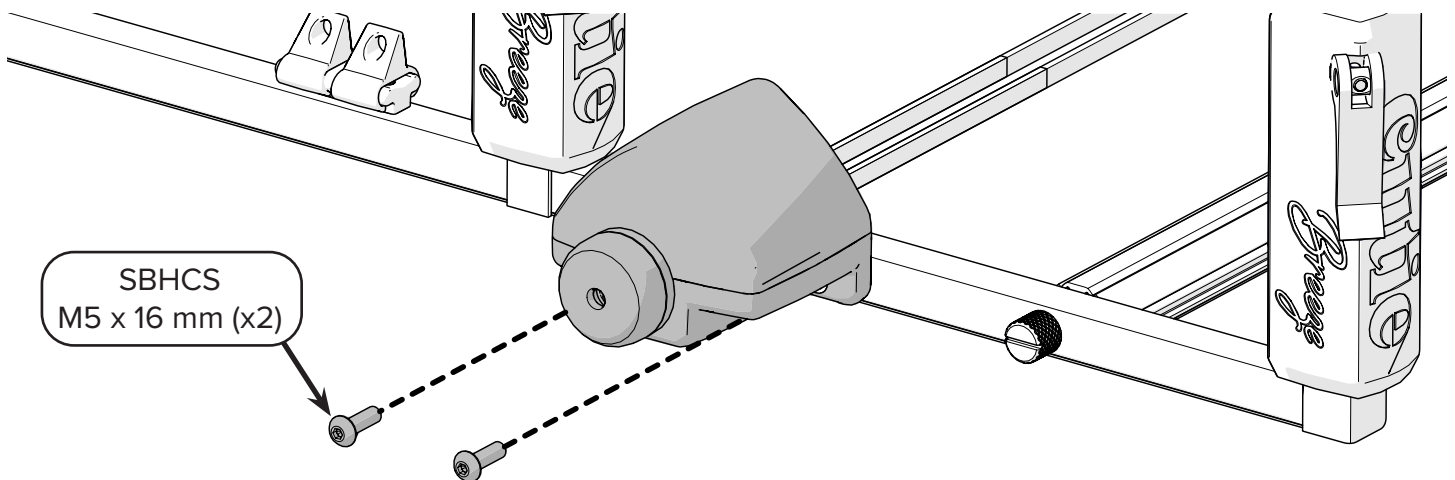
## Part One

### Task 2 - Attach the X-Axis Assembly (continued)

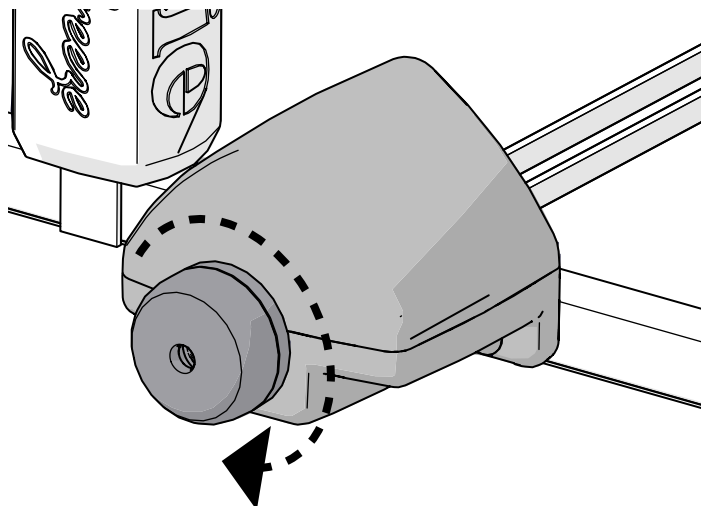
- 6 Check for any twists in the belt and correct them if there are any. Make sure the **belt teeth** face each other.



- 7 Attach the small end of the X-axis assembly with the 3 mm Allen wrench and two **M5 x 16 mm SBHCS**.



- 8 Tighten the belt knob until it clicks.



# Part Two

## **Progress Checkpoint**

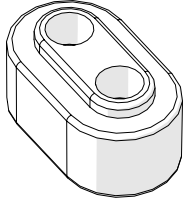
Congratulations! You've completed Part One of the QuiltMotion X instructions. Continue to Part Two on the next page.

## Part Two

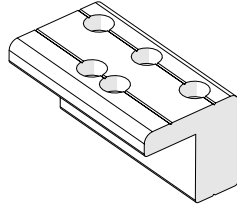
### Task 3 - Attach the Y-Axis Pulley Mount

#### Parts & Tools Needed

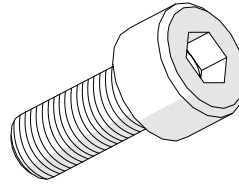
Y-Axis Pulley Mount -  
Mounting Nut



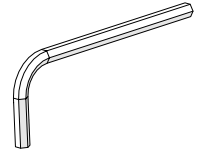
Y-Axis Pulley  
Mount



SHCS  
M4 x 10 mm (x2)



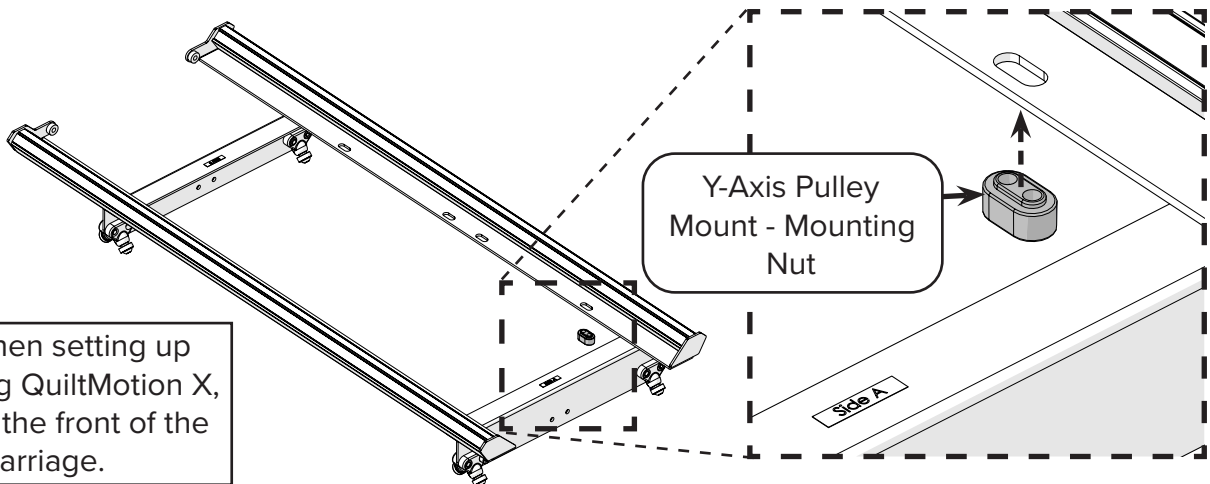
Allen Wrench  
3 mm



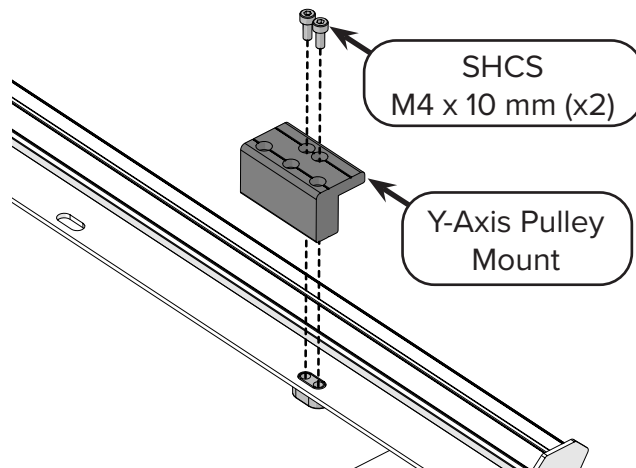
#### Instructions

The Y-axis pulley mount helps hold the Y-axis assembly onto the bottom carriage. Take the following steps to attach the pulley mount to the bottom carriage:

- 1 Locate the front hole in the right side of the bottom carriage. Press the **Y-axis pulley mount - mounting nut** to the inside of the bottom carriage so it partially slots in.

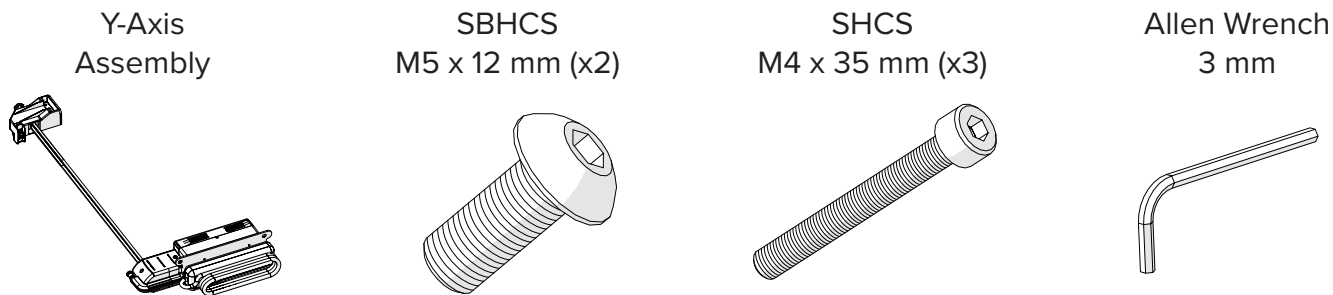


- 2 While holding the mounting nut in place, use two **M4 x 10 mm SHCS** to attach the **Y-axis pulley mount** to the carriage and bracket back. Firmly tighten the screws with the 3 mm Allen wrench.



## Task 4 - Attach the Y-Axis Assembly

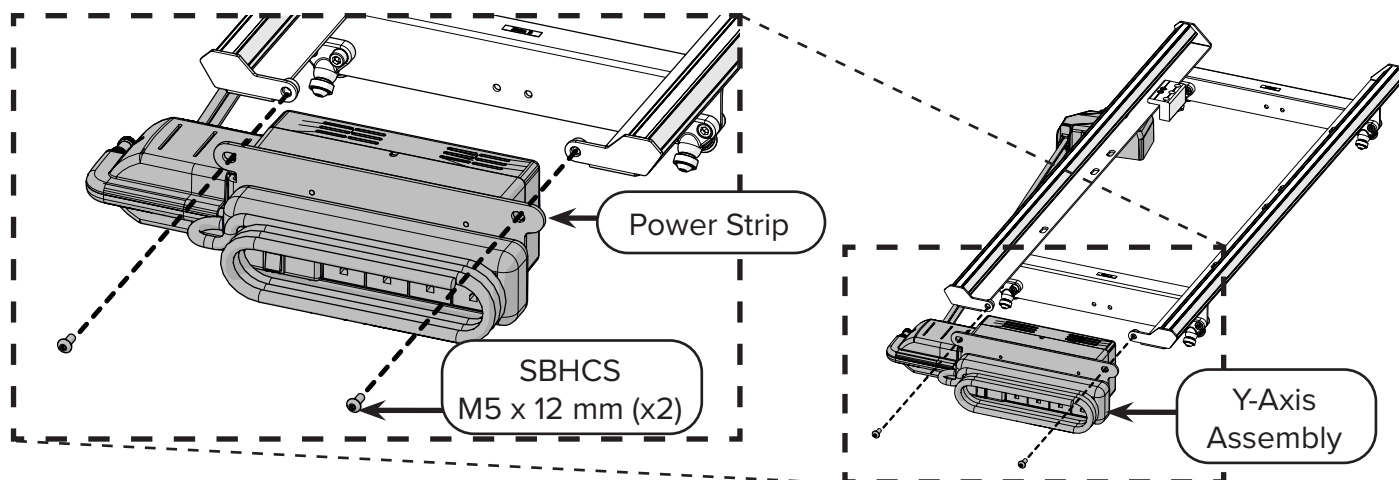
### Parts & Tools Needed



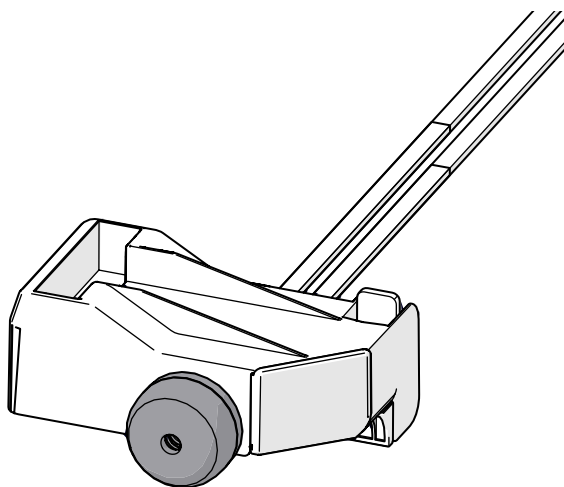
### Instructions

The Y-axis assembly shuttles the machine from front to back on the frame. Take the following steps to install the Y-axis assembly onto the frame:

- 1 **Firmly attach the Y-axis assembly power strip to side B of the bottom carriage using two M5 x 12 mm SBHCS and the 3 mm Allen wrench.**



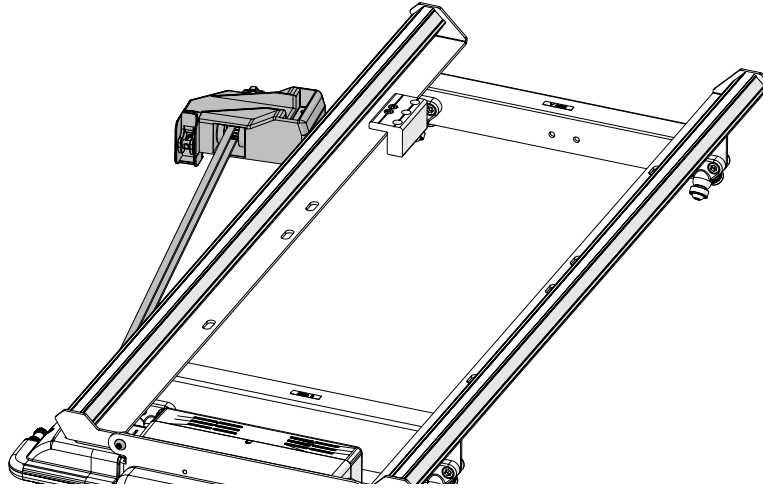
- 2 Loosen the knob on the small end of the Y-axis assembly.



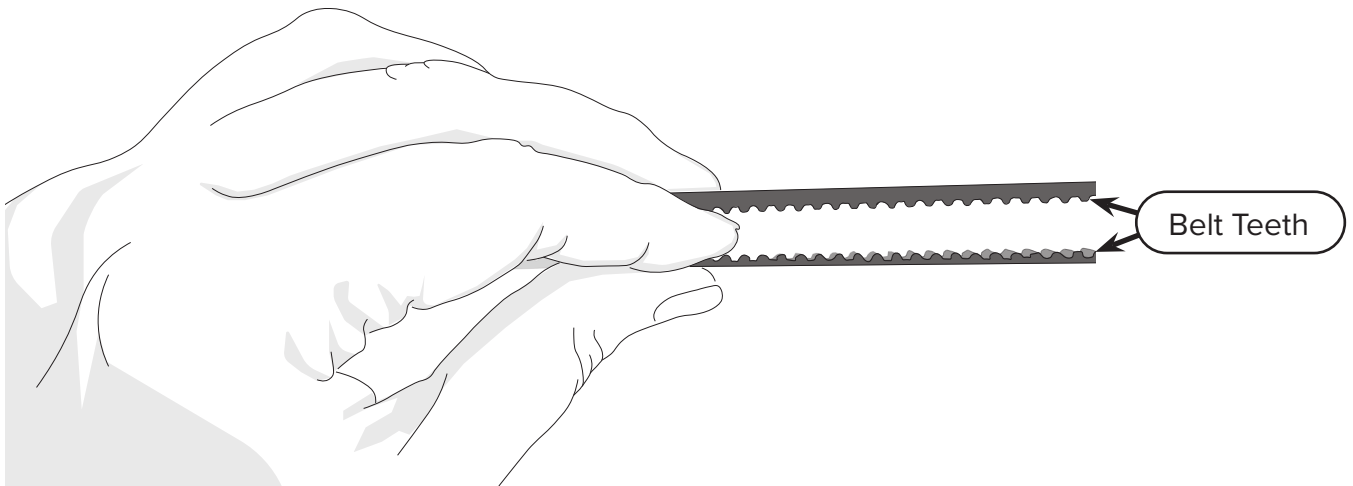
## Part Two

### Task 4 - Attach the Y-Axis Assembly (continued)

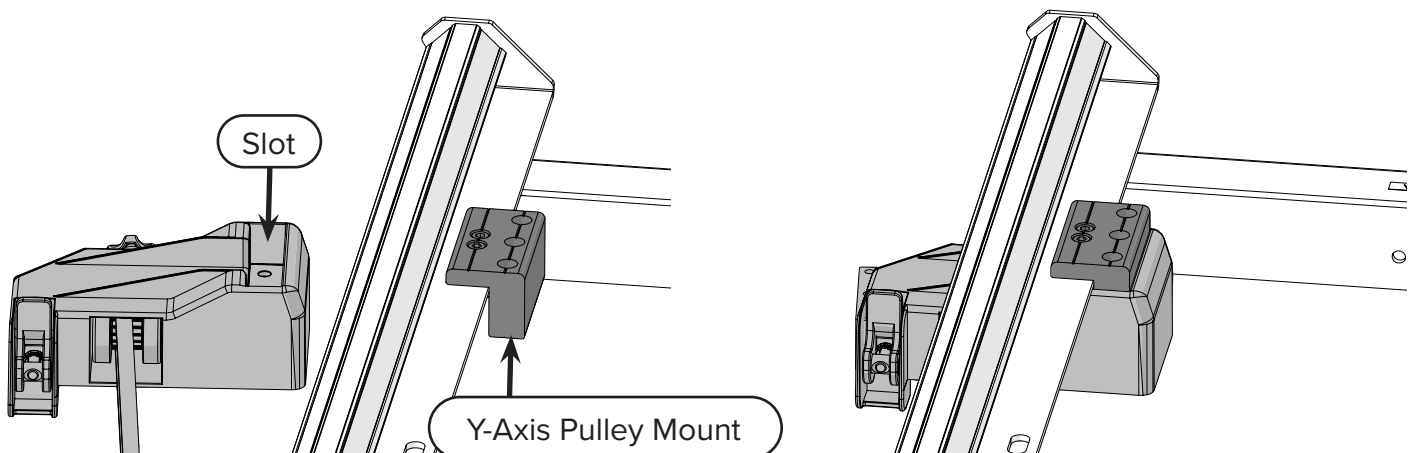
- 3 Move the small end of the Y-axis assembly toward the other side of the bottom carriage to straighten out the belt.



- 4 Check for any twists in the belt and correct them if there are any. Make sure the **belt teeth** face each other.

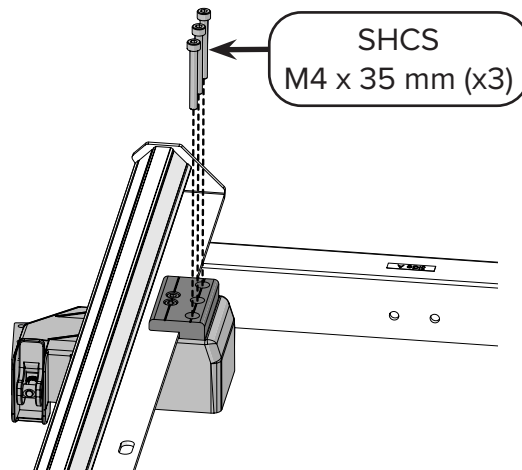


- 5 Position the **Y-axis pulley mount** into the **slot** on the small end of the Y-axis assembly. **Note:** If the small end cannot reach, loosen the knob (from step 2) further until it does.

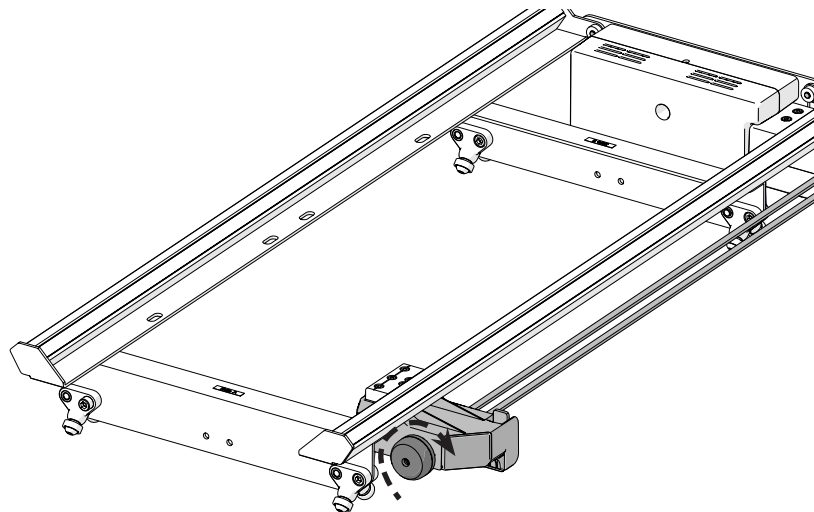


## Task 4 - Attach the Y-Axis Assembly (continued)

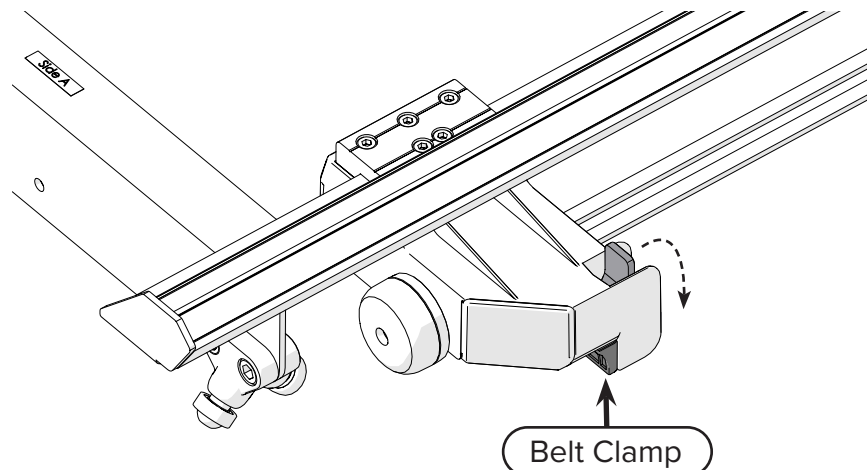
- 6 Firmly attach the Y-axis assembly and pulley mount using three **M4 x 35 mm SHCS** and the 3 mm Allen wrench.



- 7 Tighten the knob on the Y-axis assembly until it clicks.



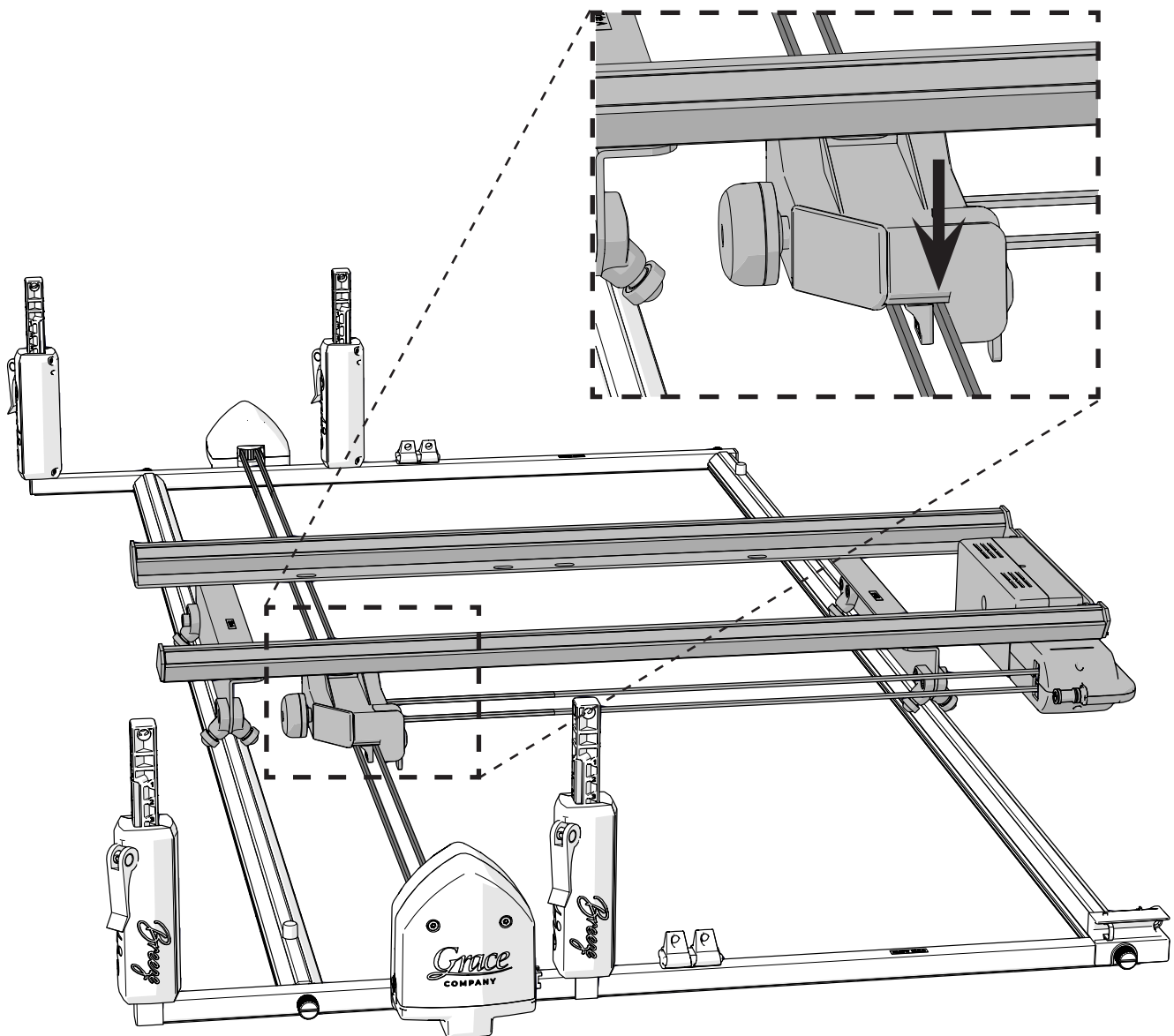
- 8 Make sure the **lever** (shown in gray) on the Y-axis assembly is pointing down, to open the **belt clamp**.



## Part Two

### Task 4 - Attach the Y-Axis Assembly (continued)

- 9 Place the bottom carriage onto the frame with the power port toward the back of the frame. Make sure the farthest side of the X-axis belt is inside the belt clamp on the bottom carriage.



**Note:** While the belt clamp is open, the bottom carriage is free to move along the frame, allowing you to quilt freely without automation. To use QMX, you must close both the belt clamp on the bottom carriage as well as the belt clamp installed on the top plate in the next task.

**Note:** If you notice that when you move the carriage across the frame, the belt rubs against the small end of the Y-axis assembly, try loosening the five screws in the Y-axis pulley mount partway with the 3 mm Allen wrench. Reposition the pulley mount, and then tighten the screws again. Then check for rubbing.

Congratulations! You've completed Part Two of your QuiltMotion X Foundations instructions. See Part Two of your Cutie Breeze instruction manual for the next steps.

# Part Three

## Progress Checkpoint

Have you:

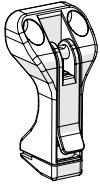
- Assembled your top plate?
- Installed and positioned your rails?
- Adjusted the frame's carriage stop?

## Part Three

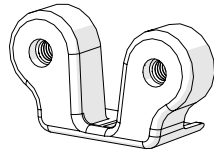
### Task 5 - Attach the Y-Axis Belt Clamp

#### Parts & Tools Needed

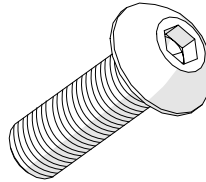
Y-Axis  
Belt Clamp



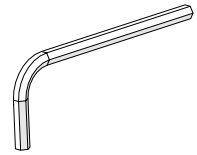
Y-Axis  
Belt Clamp Back



SBHCS  
M5 x 16 mm (x2)



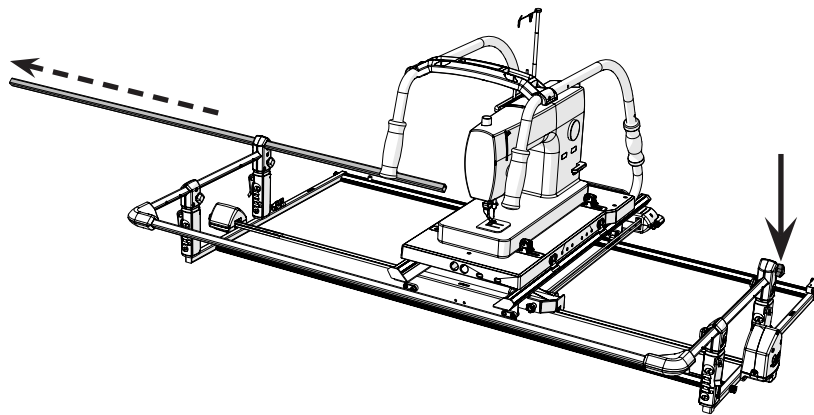
Allen Wrench 3 mm



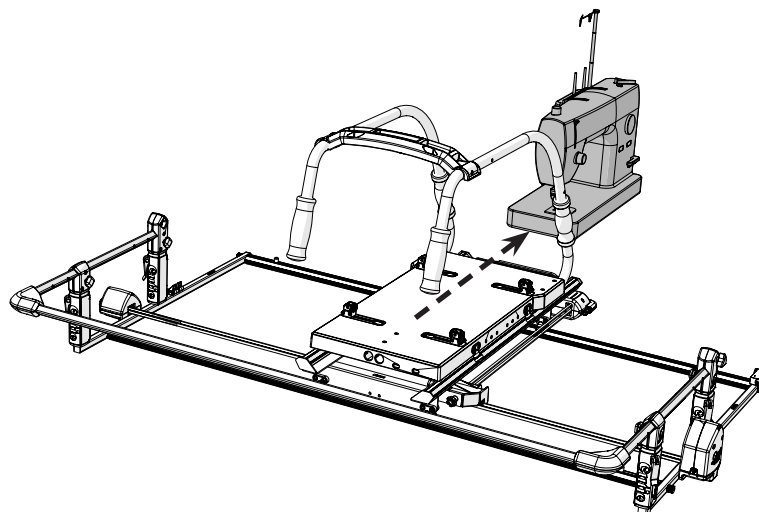
#### Instructions

The Y-axis belt clamp grasps the Y-axis belt so that the motor can move the top plate back and forth on the bottom carriage. Take the following steps to install the Y-axis belt clamp:

- 1 Loosen the knob on the frame's take-up rail to slide the rail out of the way. It can be removed and set aside or left partially on the frame.

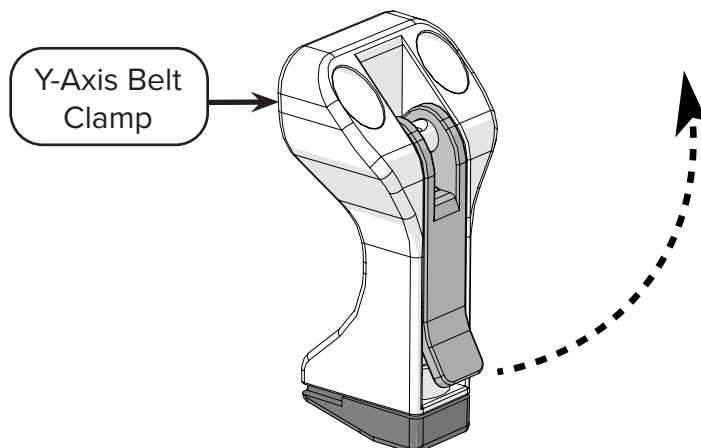


- 2 Open the machine clamps on your top plate and move your sewing machine off the top plate.

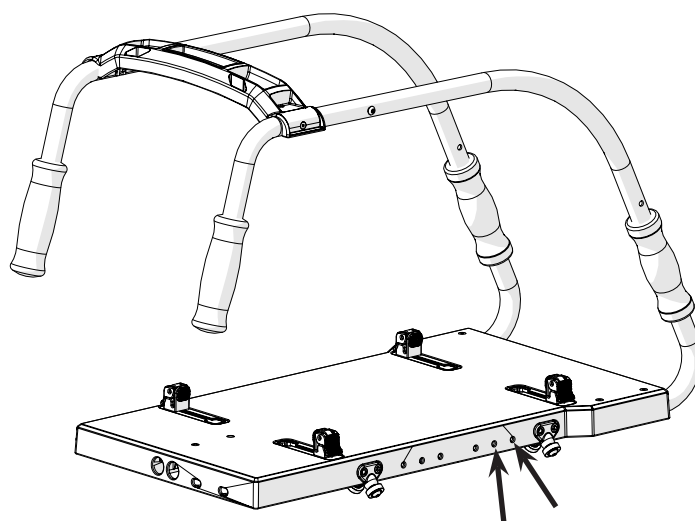


## Task 5 - Attach the Y-Axis Belt Clamp (continued)

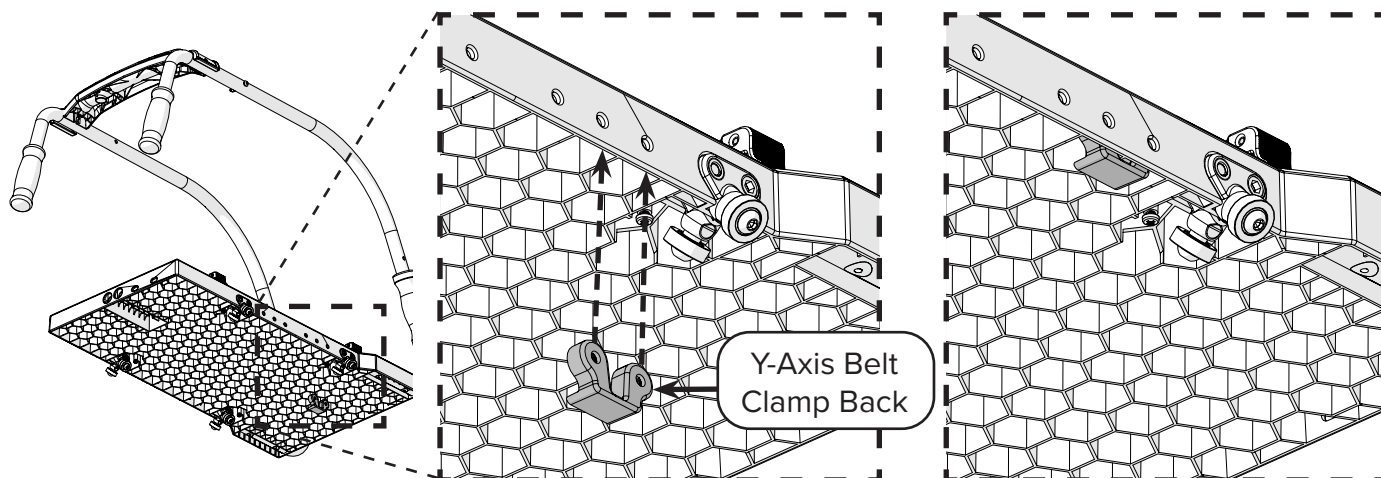
- 3 Raise the lever on the **Y-axis belt clamp** to open the clamp.



- 4 While facing the front of your top plate, find the two back holes on the right side.



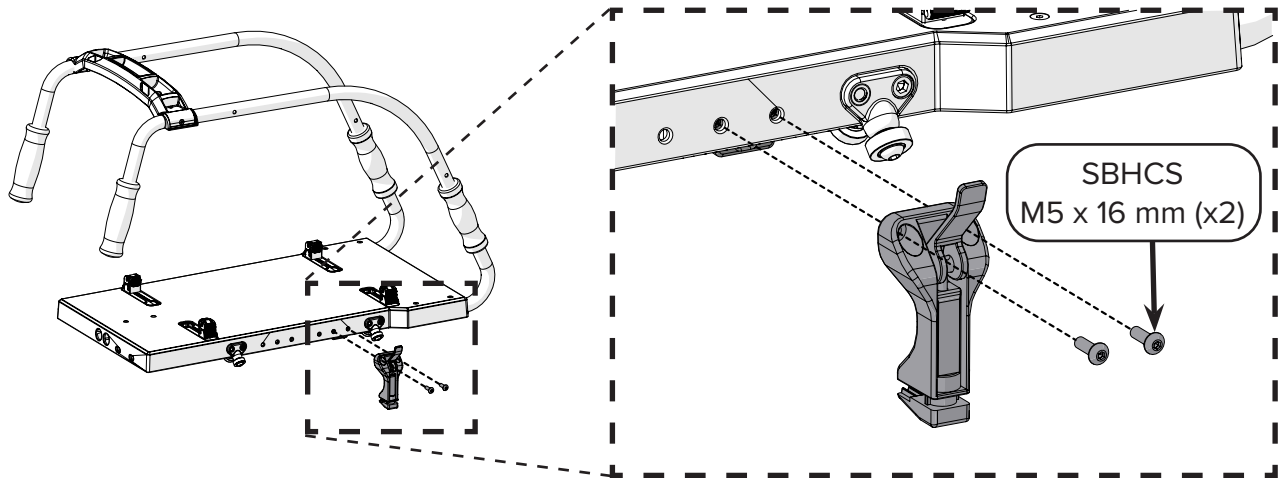
- 5 Slide the **Y-axis belt clamp back** piece up so that the holes in the clamp back piece align with the back-right holes in the top plate.



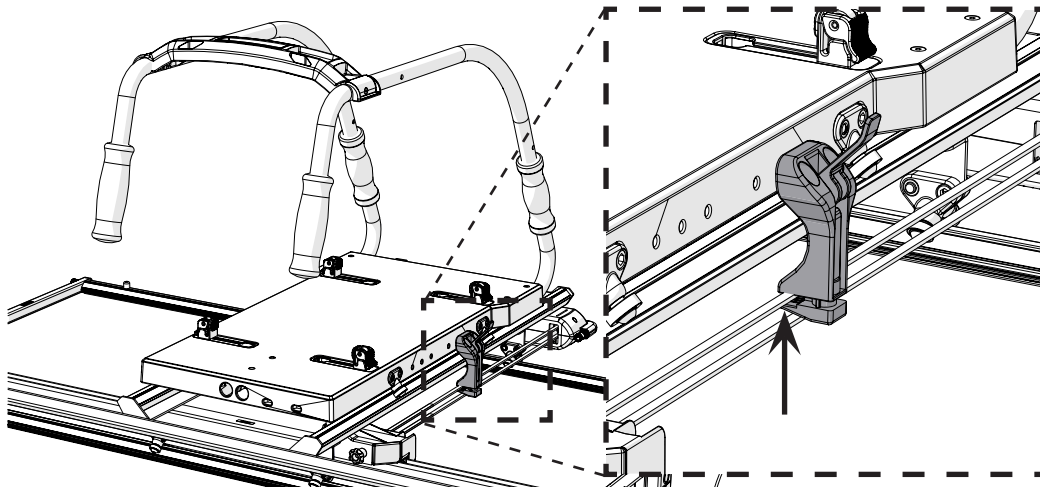
## Part Three

### Task 5 - Attach the Y-Axis Belt Clamp (continued)

- 6 While holding the clamp back piece in place, attach the Y-axis belt clamp to the two back-right holes of the top plate with two **M5 x 16 mm SBHCS**.



- 7 Place the top plate on the bottom carriage, making sure the wheels align with the tracks. The top belt must slide into the open Y-axis clamp.

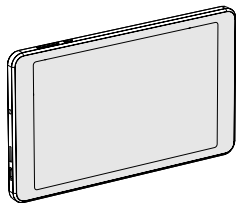


**Note:** While the belt clamp is open, the top plate is free to move back and forth on the bottom carriage, allowing you to quilt freely without automation. To use automation, you must close both the belt clamp on the top plate and the belt clamp on the bottom carriage.

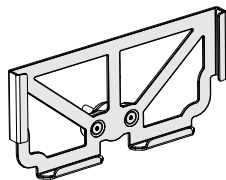
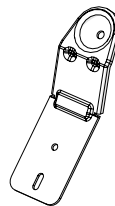
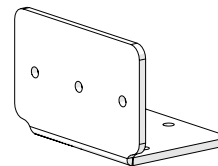
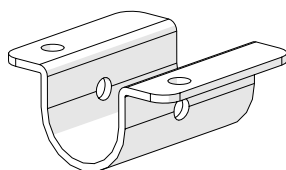
## Task 6 - Attach the Tablet

### Parts & Tools Needed

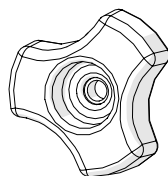
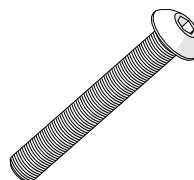
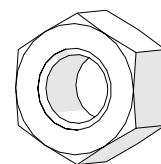
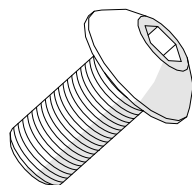
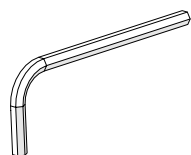
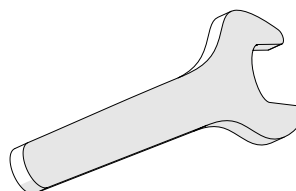
Tablet



Tablet Tray

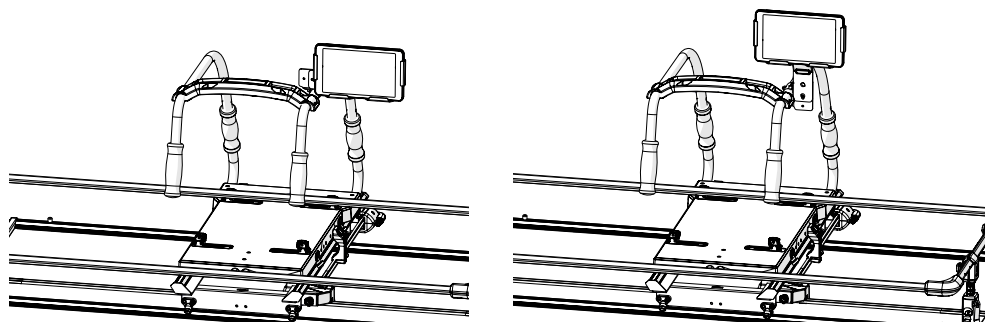
QT Breeze QCT  
Tablet BracketQCT Tablet Angle  
Support BracketQCT Top Plate  
U-Bracket

Plastic Knob M6

SBHCS  
M5 x 35 mmHex Nut  
M5SBHCS  
M5 x 10 mm (x4)Allen Wrench  
3 mmOpen-End Wrench  
8 mm

### Instructions

The tablet tray holds the tablet. There are two positions for the tablet:



The side position (left) is a little lower down and to the side. Some people find it more comfortable to use. However, sometimes taller people prefer the top position (right).

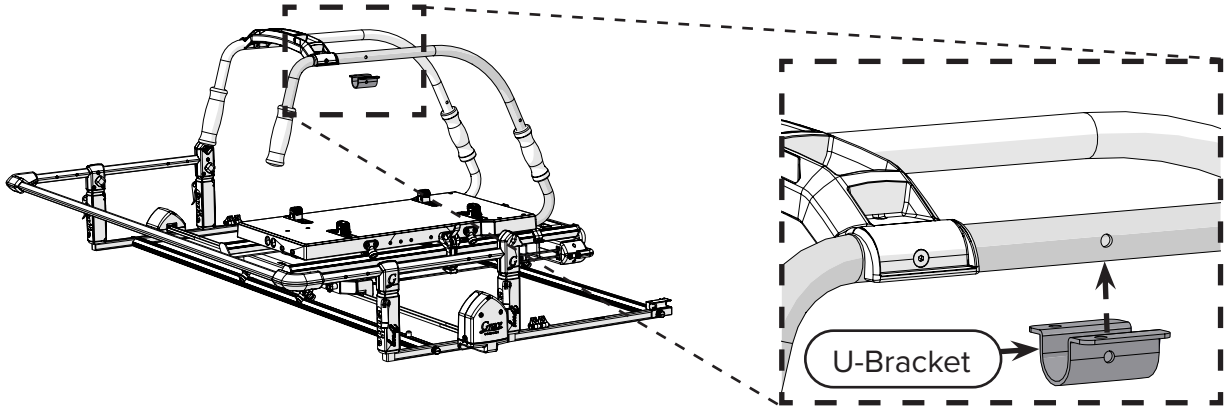
- See page 18 for instructions on installing the tablet in the side position.
- See page 20 for instructions on installing the tablet in the top position.

## Part Three

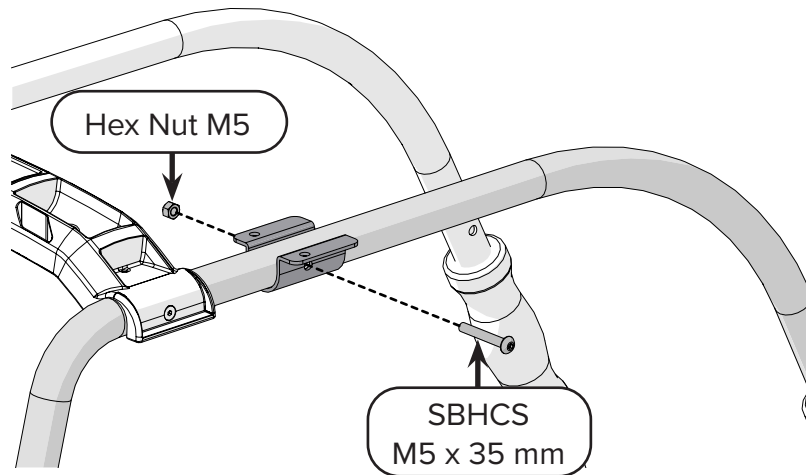
### Task 6 - Attach the Tablet (continued)

To install the tablet in the side position, do the following:

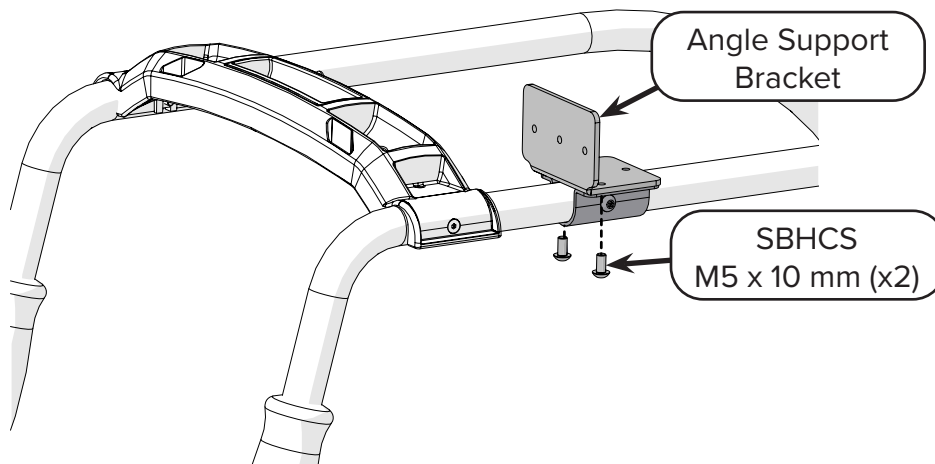
- 1 Wrap the **QCT top plate U-bracket** around the bottom of the right side handlebar of the top plate. Align the holes in the U-bracket with those on the handle. **Note:** If you prefer, you can install the tablet on the left side of the carriage instead.



- 2 Attach the U-bracket to the handle using an **M5 x 35 mm SBHCS** and **M5 hex nut**. Tighten with the 3 mm Allen wrench and the 8 mm open-end wrench.

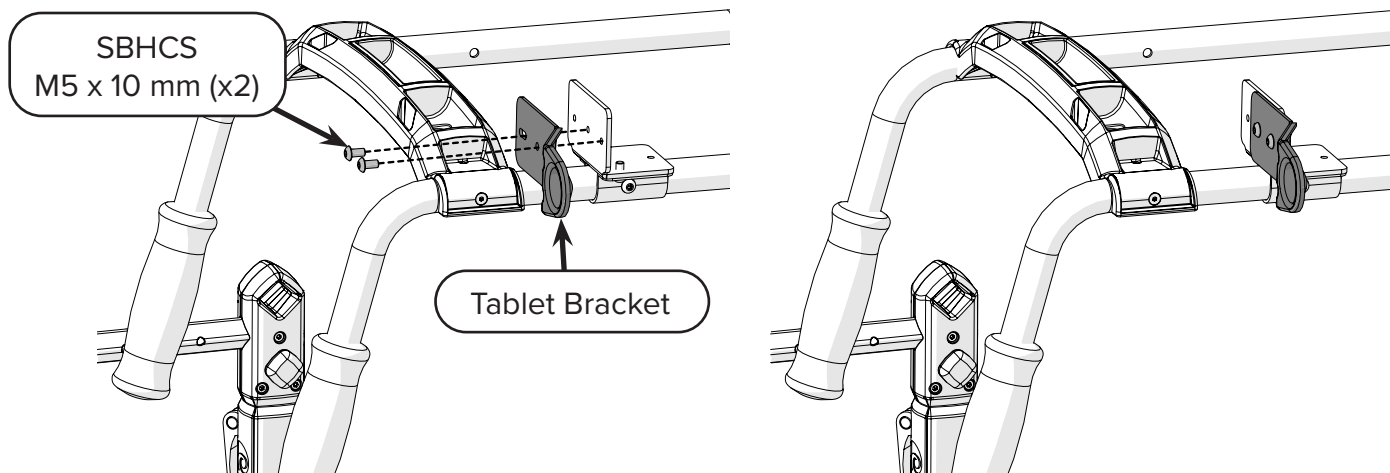


- 3 Attach the QCT tablet **angle support bracket** to the U-bracket with two **M5 x 10 mm SBHCS** and the 3 mm Allen wrench.

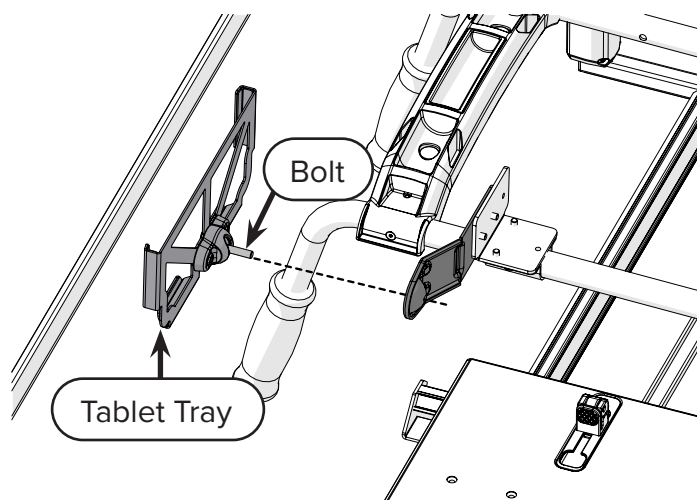


## Task 6 - Attach the Tablet (continued)

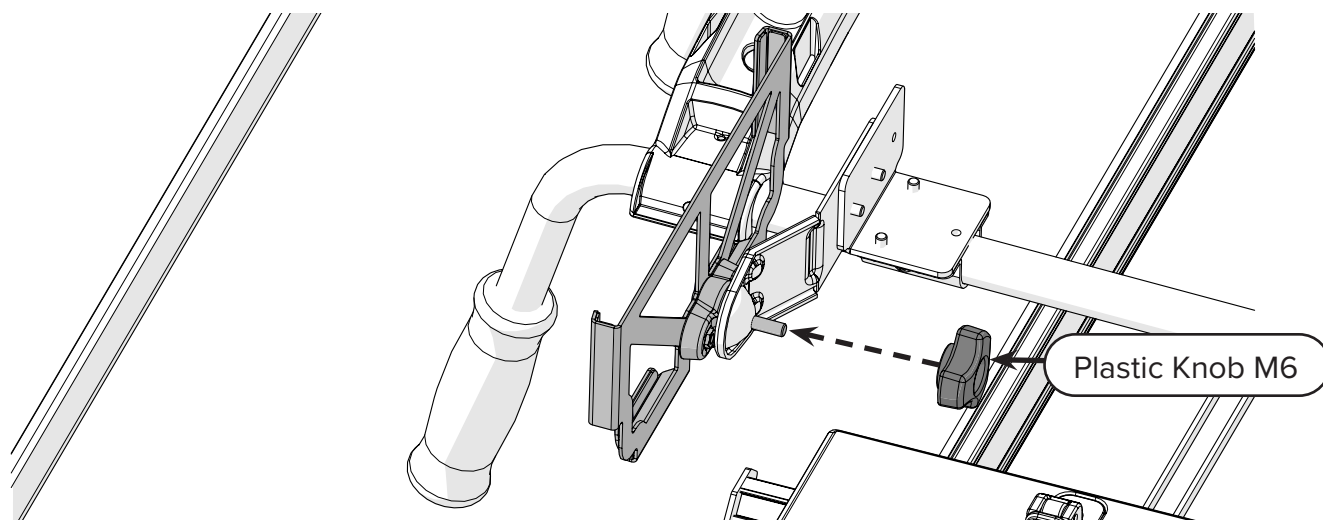
- 4 Attach the QT Breeze QCT **tablet bracket** to the angled bracket using two **M5 x 10 mm SBHCS**.



- 5 Slide the **tablet tray bolt** through the hole in the tablet bracket.



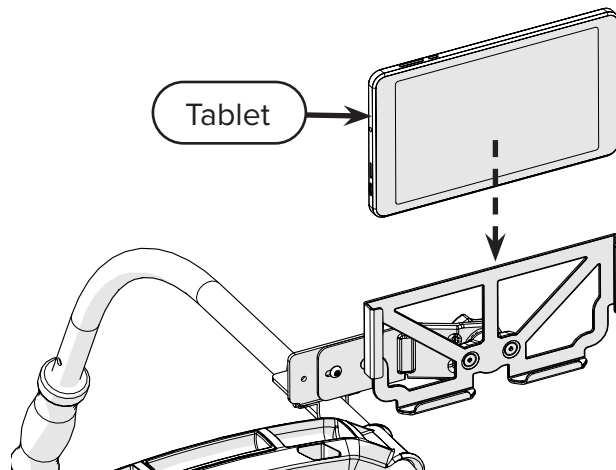
- 6 Fasten the tablet tray in place using the **M6 plastic knob**.



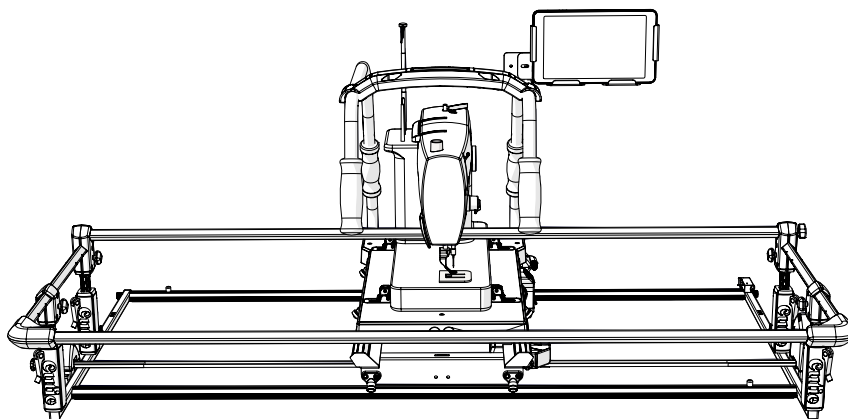
## Part Three

### Task 6 - Attach the Tablet (continued)

- 7 Place the **tablet** into the tablet tray. Orient the power button so it's toward the top.

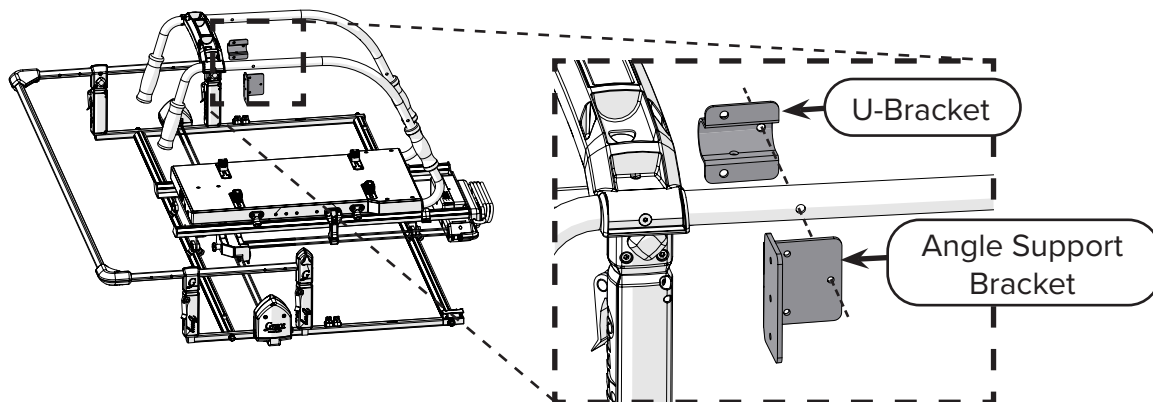


- 8 Re-install your machine and take-up rail.



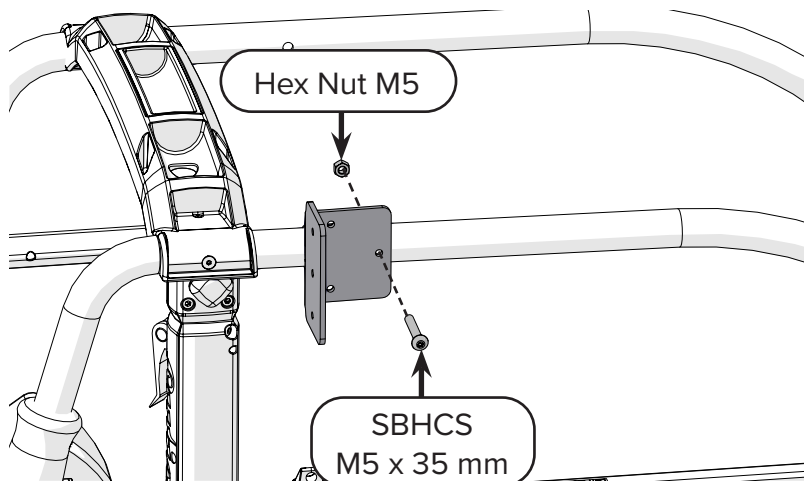
To install the tablet in the top position, do the following:

- 1 Sandwich the right-side handlebar between the **QCT top plate U-bracket** and **angle support bracket**. Align the hole in the handlebar with those on the brackets. **Note:** If you prefer, you can install the tablet on the left side of the carriage instead.

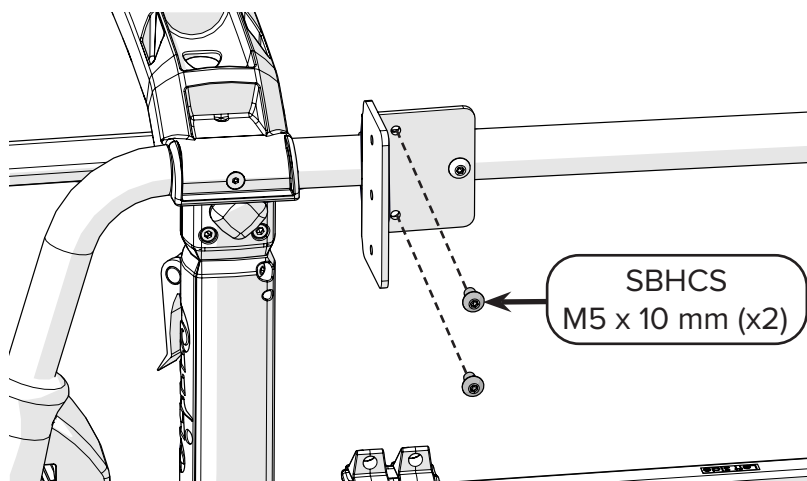


## Task 6 - Attach the Tablet (continued)

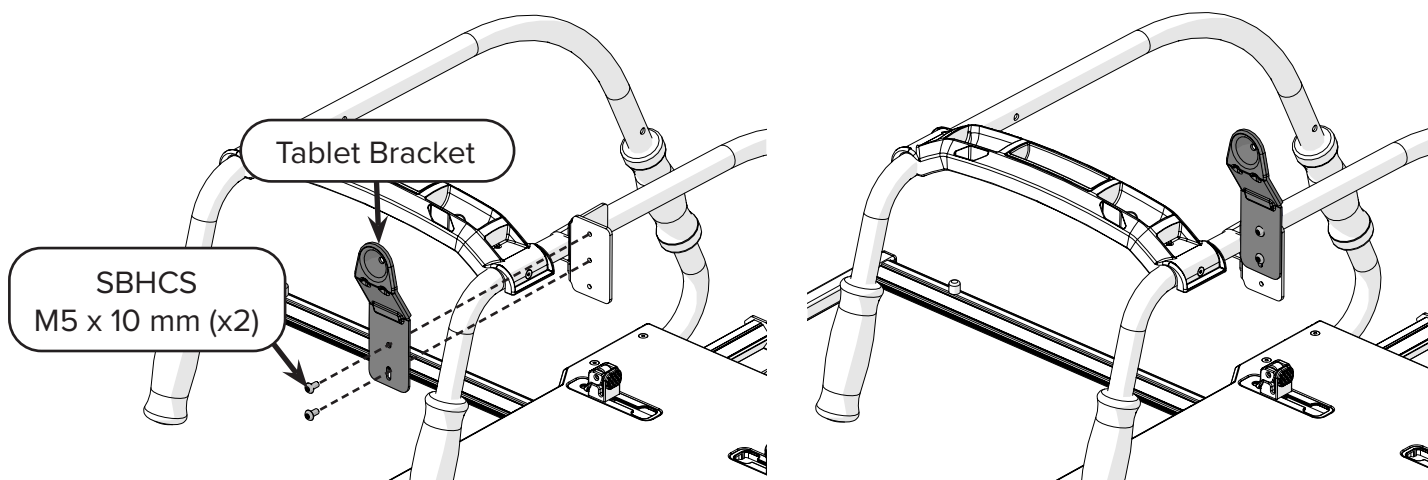
- 2 Attach the brackets to the handle using an **M5 x 35 mm SBHCS** and **M5 hex nut**. Tighten with the 3 mm Allen wrench and the 8 mm open-end wrench.



- 3 Attach the U-bracket and angle support bracket together with two **M5 x 10 mm SBHCS**.



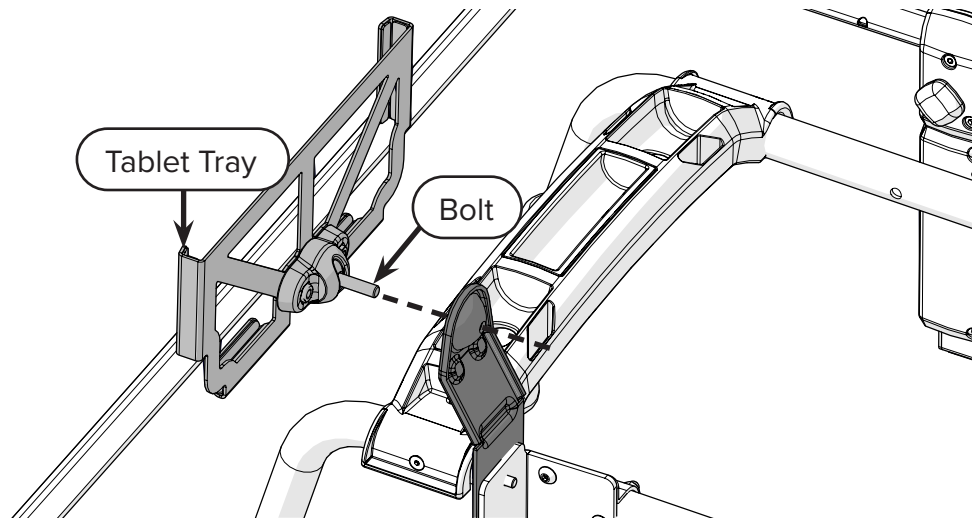
- 4 Attach the QT Breeze QCT **tablet bracket** to the angled bracket using two **M5 x 10 mm SBHCS**.



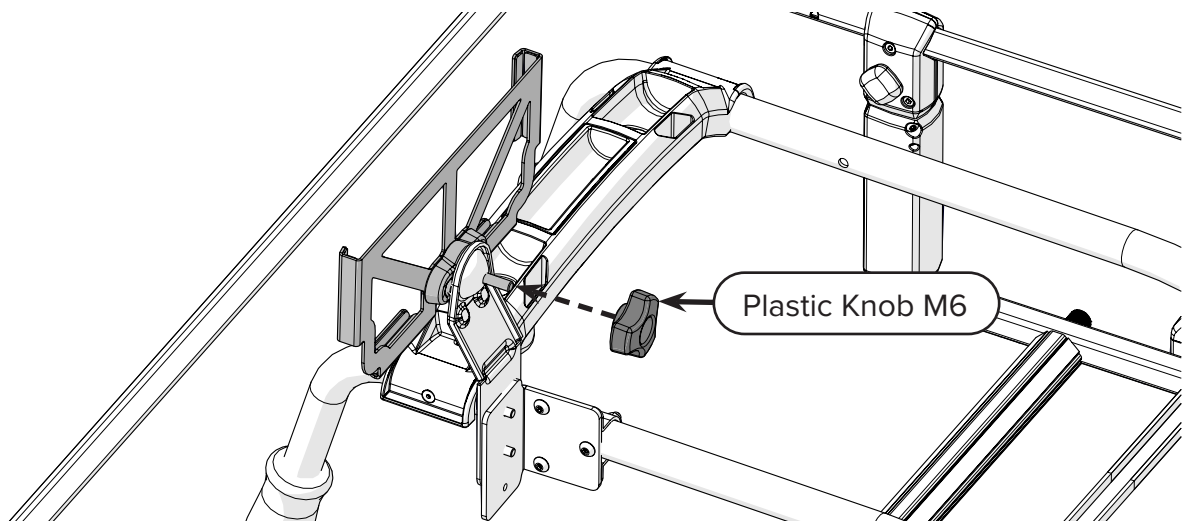
## Part Three

### Task 6 - Attach the Tablet (continued)

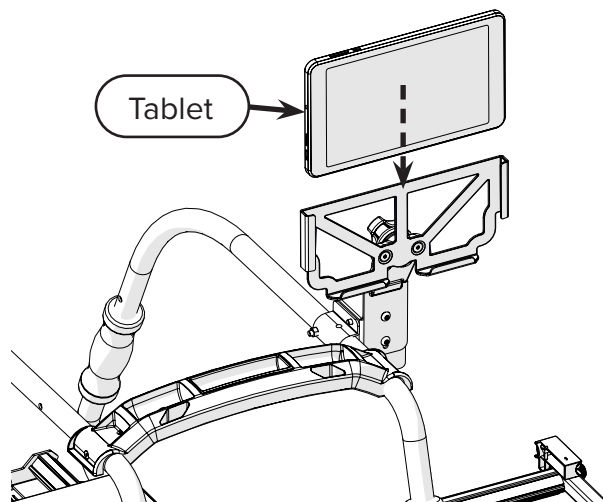
- 5 Slide the **tablet tray bolt** through the hole in the tablet bracket.



- 6 Fasten the tablet tray in place using the **M6 plastic knob**.

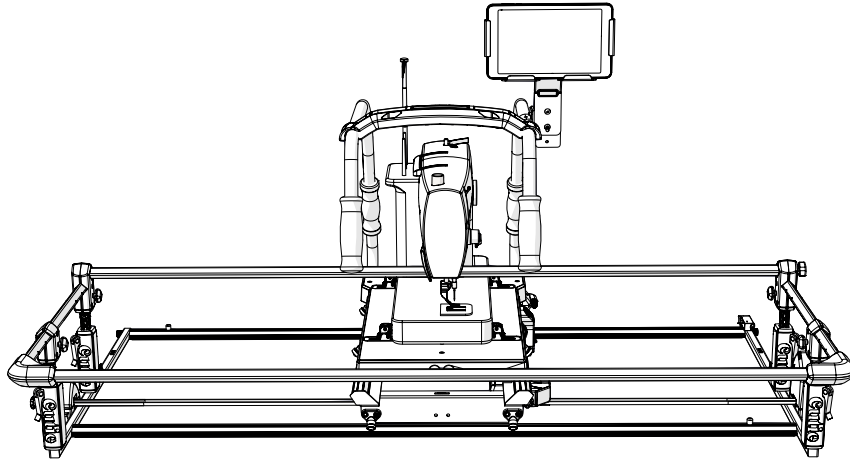


- 7 Place the **tablet** into the tablet tray. Orient the power button so it's toward the top.



## Task 6 - Attach the Tablet (continued)

- 8 Re-install your machine and take-up rail.



## Part Three

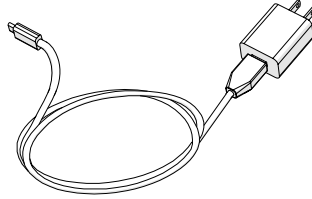
### Task 7 - Manage the Cables

#### Parts & Tools Needed

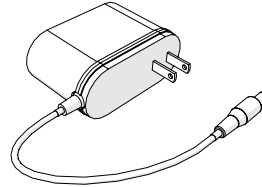
Zip  
Ties



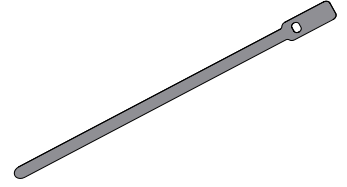
Tablet  
Power Adapter



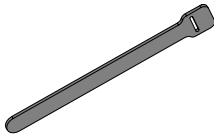
QMX  
Power Adapter



Velcro Strap for  
Power Supply



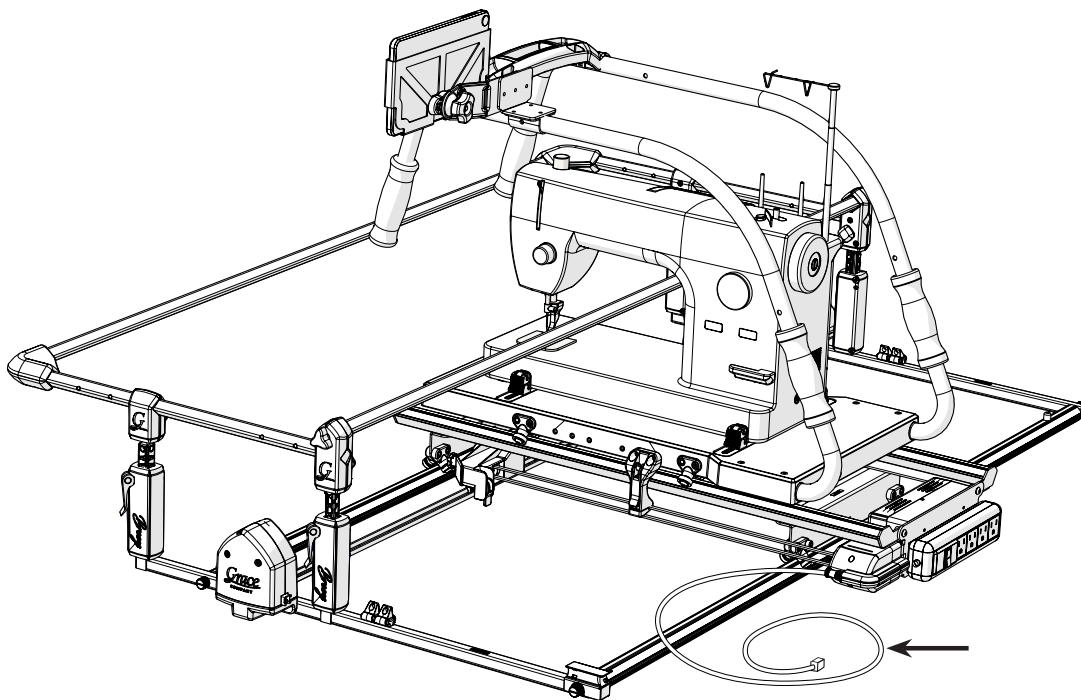
Velcro Strip (x2)



#### Instructions

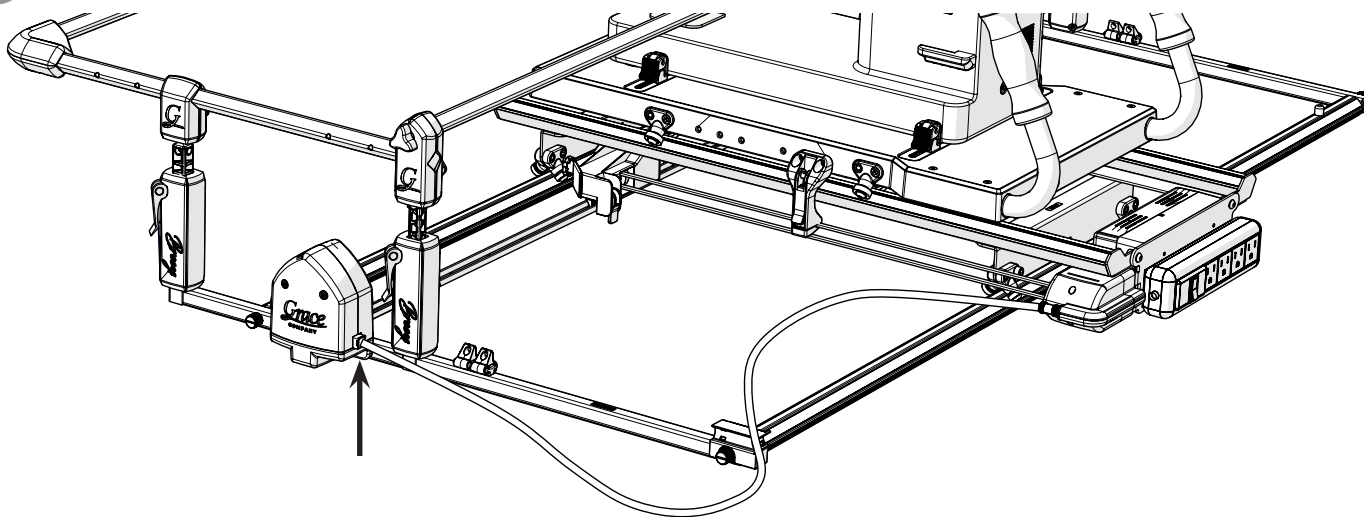
Cable management ensures the machine can move freely across the frame without pulling or running over cables (which can damage your equipment or distort your designs). Here are steps on managing your cables. Each machine is different, so think about personalizing these steps for your machine.

- 1 Locate the cable coming out of the right side (when you're facing the front of your frame) of the X-Axis assembly.

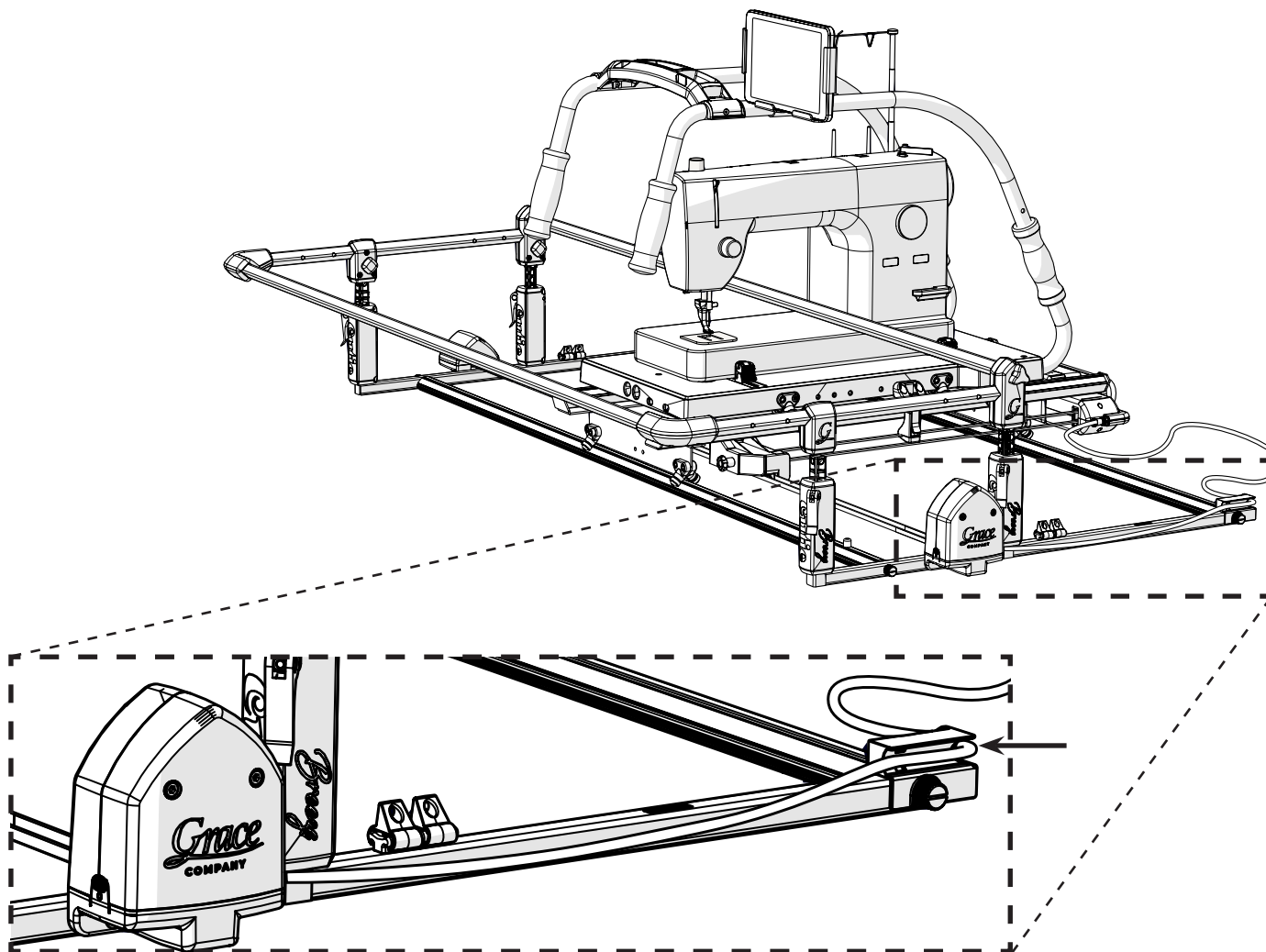


## Task 7 - Manage the Cables (continued)

- 2 Plug the cable into the port in the back of the X-axis assembly.



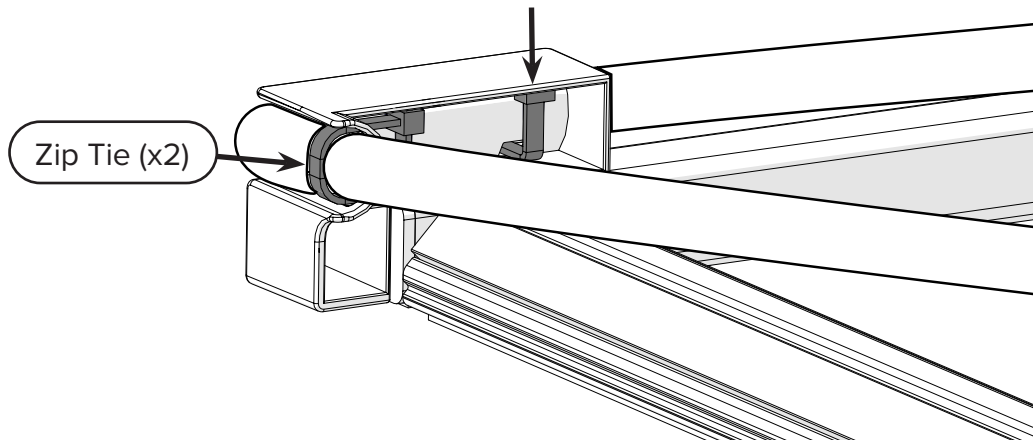
- 3 Wrap the cable around the side of the frame and the corner cable guide. Leave a small amount of slack in the cable.



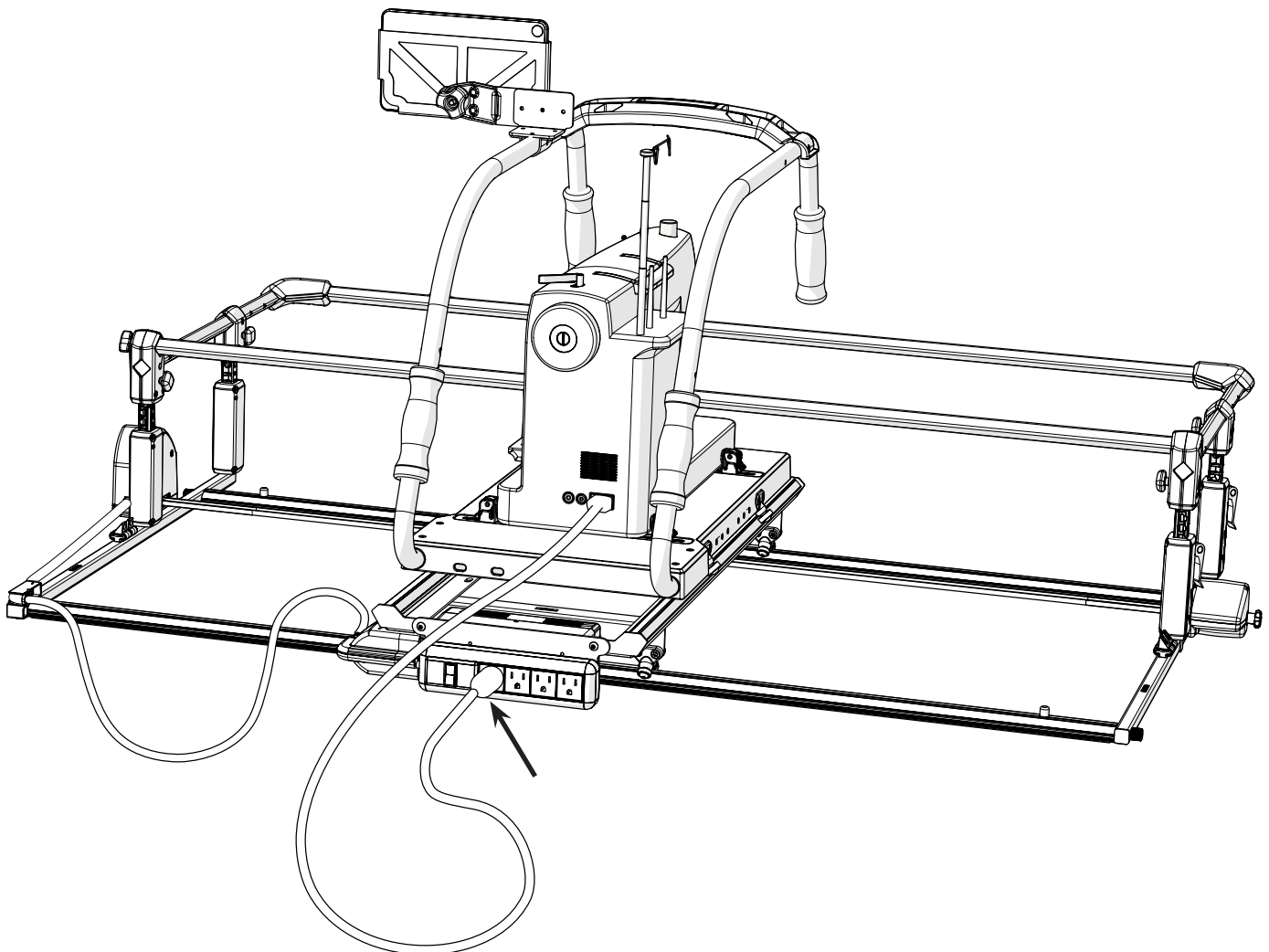
## Part Three

### Task 7 - Manage the Cables (continued)

- 4 Use two **zip ties** to anchor the cable to the corner cable guide. Trim the excess zip tie tail.

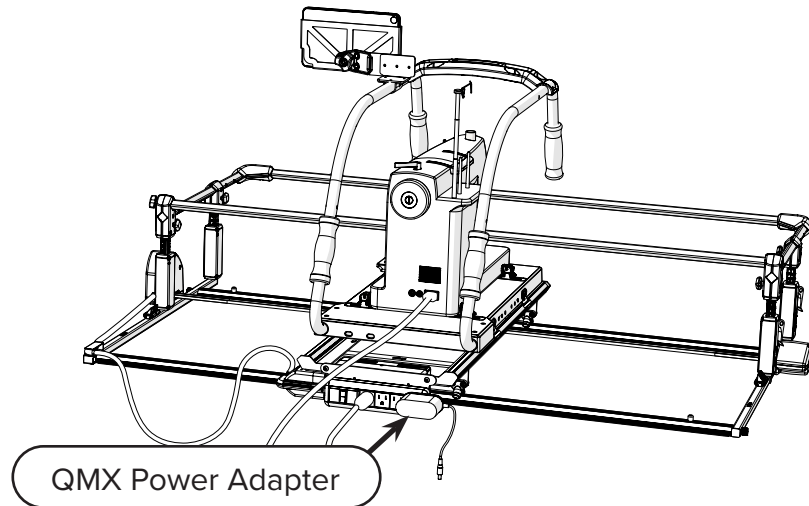


- 5 Plug your machine into the power strip on the back of the bottom carriage. Make sure your machine's power cable is also plugged into your machine.

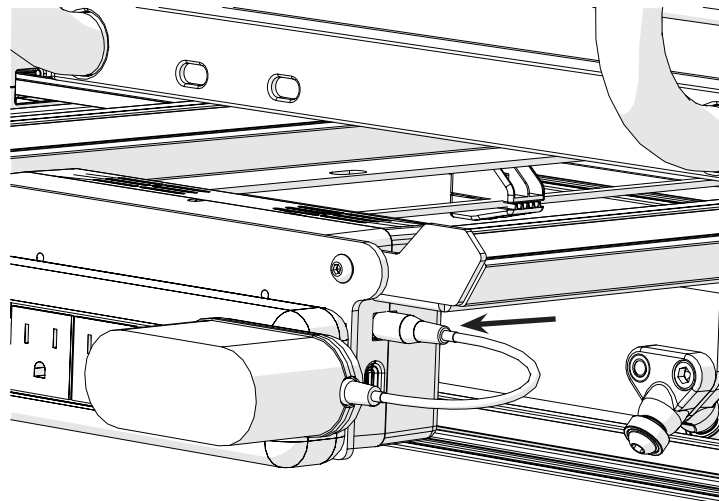


## Task 7 - Manage the Cables (continued)

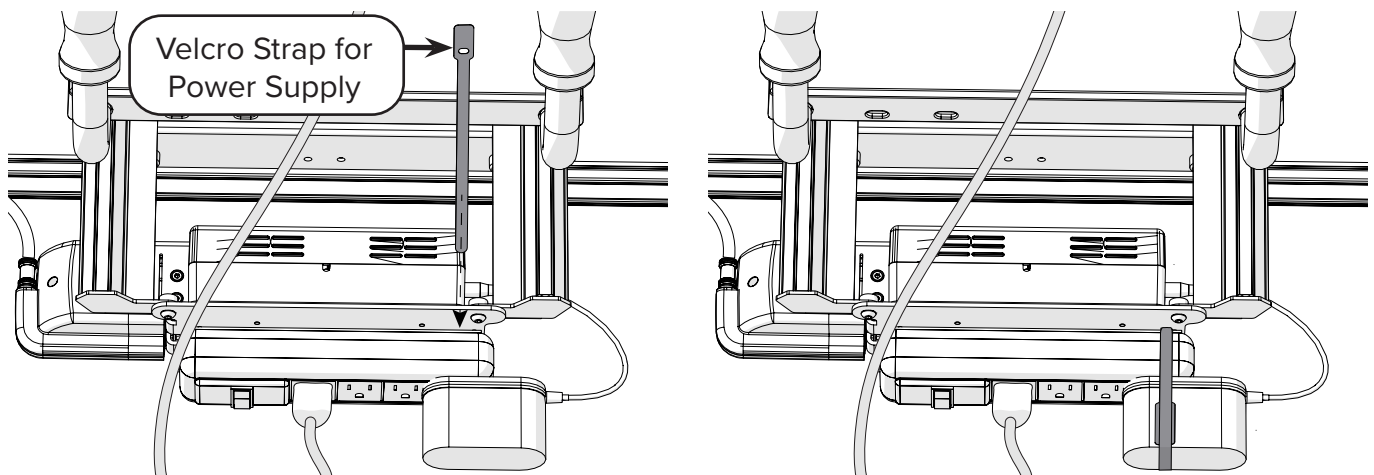
- 6 Plug the **QMX power adapter** into the power strip.



- 7 Plug the other end of the QMX power adapter into the Y-axis assembly.



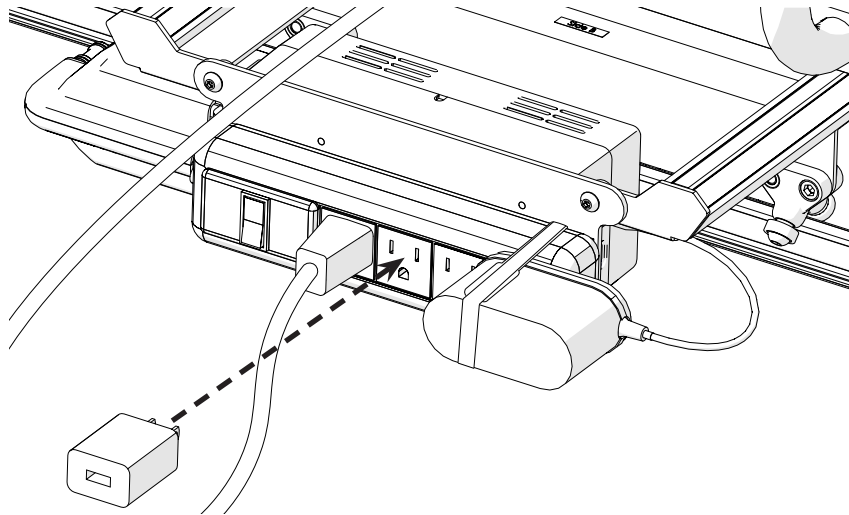
- 8 Slide the narrow side of the **velcro strap for power supply** between the metal plate and the power strip on the Y-axis assembly. Wrap it around the QMX power adapter and secure the strap to itself.



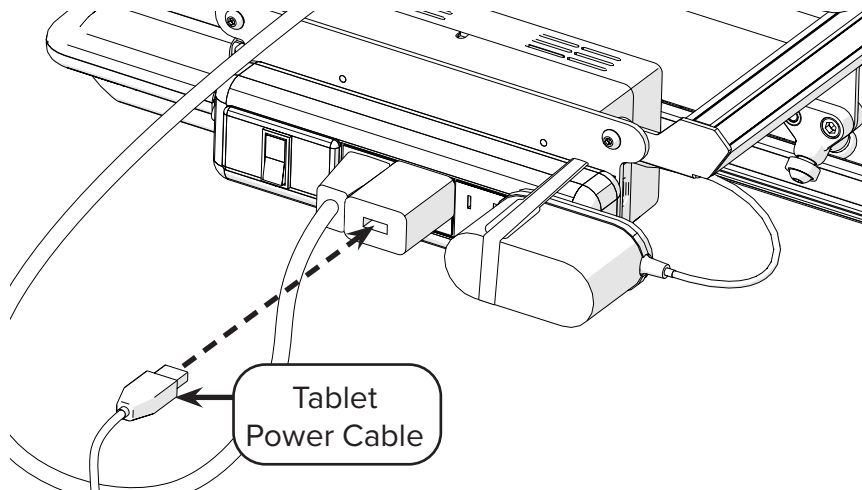
## Part Three

### Task 7 - Manage the Cables (continued)

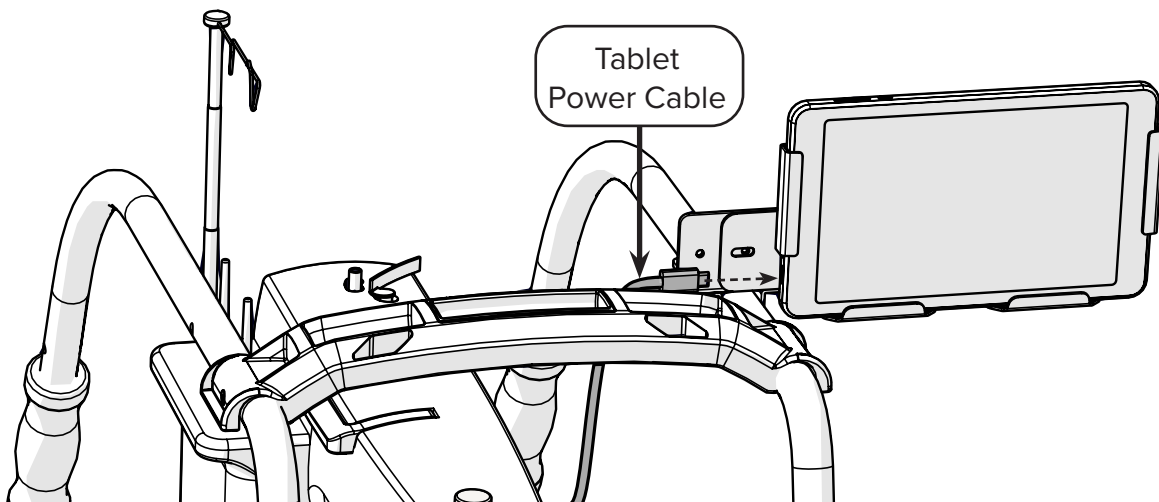
- 9 Plug the **tablet power adapter** into the power strip.



- 10 If it is not already, plug the USB A end of the **tablet power cable** into the port on the tablet power adapter.

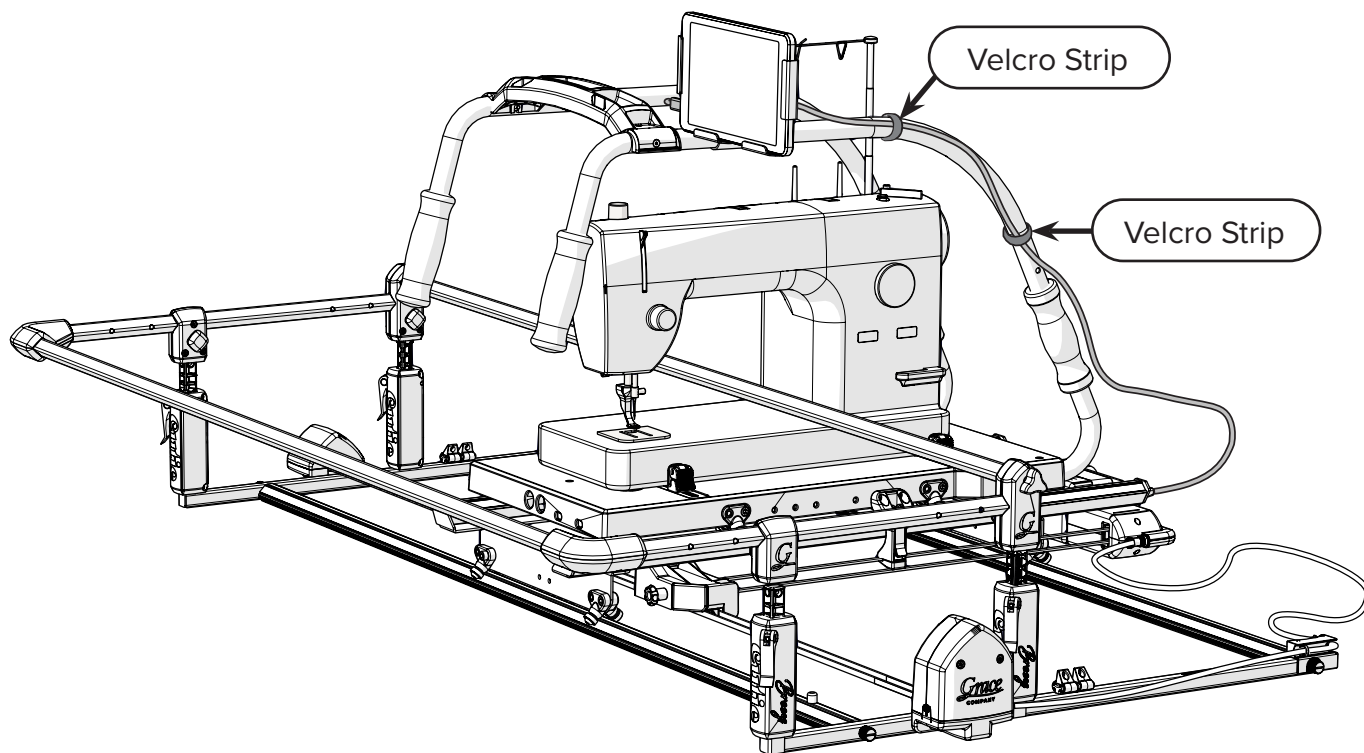


- 11 Plug the USB C end of the **tablet power cable** into the tablet.



## Task 7 - Manage the Cables (continued)

- 12 Use the two **velcro strips** to secure the tablet power cable onto the top plate handlebars. Make sure the slack in the cable is down by the power strip.



- 13 Test your machine's movement. Move the machine all around the frame and check that the cables are not getting tugged or run over. Adjust any cables or velcro straps as needed.

# Task 8 - Create or Log in to Your Account

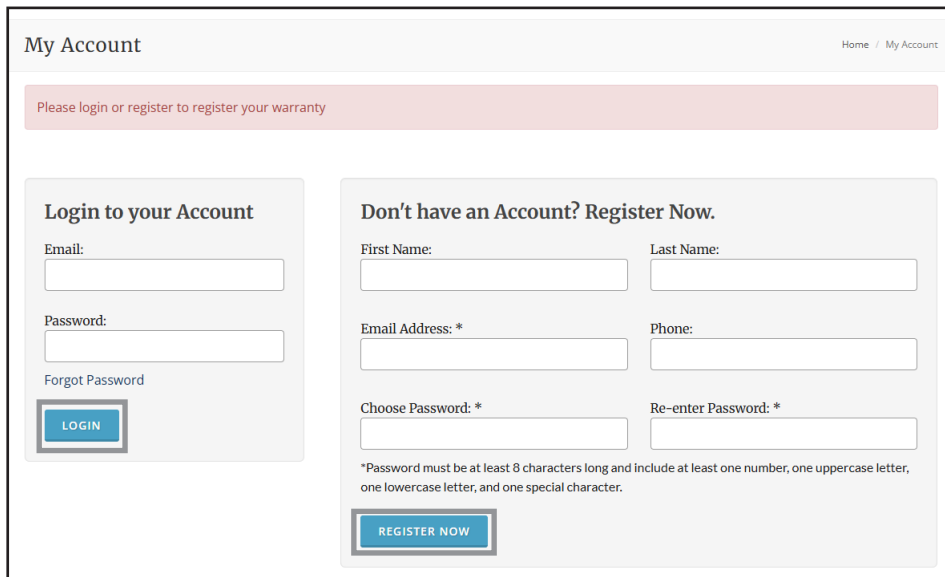
## Instructions

Create or log in to your account to register and use your product. When you register your product's warranty, you receive 10 extra credits in the design store to purchase new designs. Take the following steps:

- 1 On your phone or computer, visit <https://graceframe.com/en/warranty/info> and tap **Start Your Registration**.



- 2 If you don't have an account with Grace Company (or it's been a while since you logged in), you might be prompted to create an account. If you have an account, enter your email and password into the **fields** under "Login to your Account" and tap **Login**. If you don't have an account, fill in the **fields** under "Don't have an Account? Register Now" to make one. Then press **Register Now**.



## Task 8 - Create or Log in to Your Account (continued)

- 3 Fill out the Warranty Registration page. Your name and email address are pre-populated based on your login information. When finished, tap Activate Registration.

### Warranty Registration

Activate your warranty for your Grace Company and TrueCut products

#### Your Information

Full name

Phone Number

Email Address

---

#### Order Details

Which product do you want to register?

Where did you purchase this product?

Date of purchase

Upload proof of purchase

[ACTIVATE REGISTRATION](#)

- 4 The registration confirmation screen opens. You may close your internet browser.

Your product is now registered. ×  
View warranty details. [Visit my profile.](#)

### Thank you for activating your warranty!

Your warranty for Quilter's Evolution Elite Rolling Frame is now active.  
You can now view this warranty information in your Grace profile.

[VISIT MY PROFILE](#)

---

Have additional Grace or TrueCut products to register for warranty?

[START ANOTHER REGISTRATION](#)

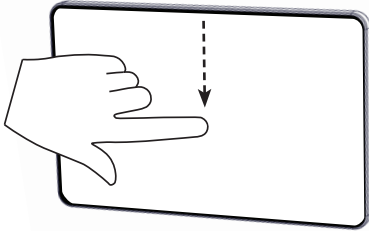
## Part Three

### Task 9 - Access the Software & Connect to QMX

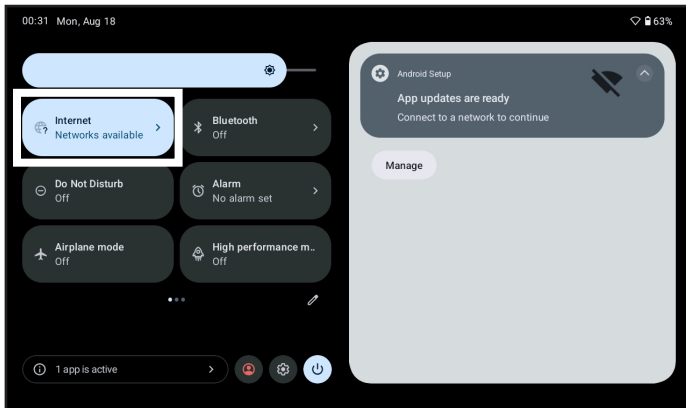
#### Instructions

Before you can start quilting, you must access QuiltMotion X (QMX) software, connect to the Wi-Fi, and connect to the QMX hardware. Take the following steps:

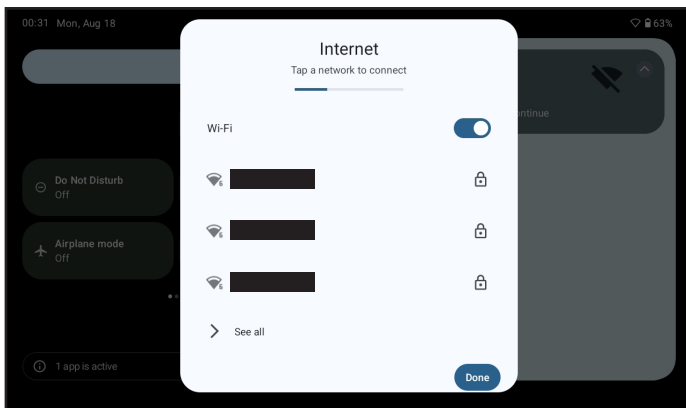
- 1 Power on your QMX tablet.
- 2 Swipe down from the top of the tablet screen to open the device menu.



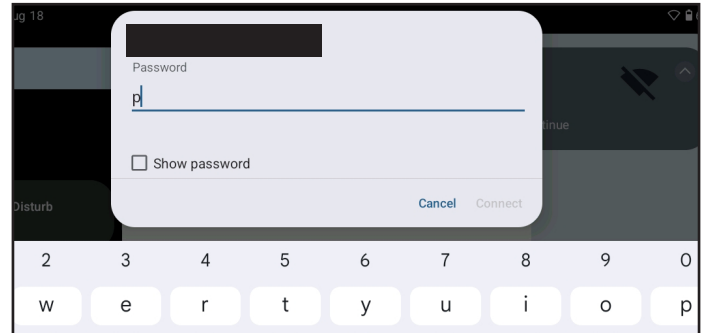
- 3 Tap the **Internet** button to open up the Internet Wi-Fi menu.



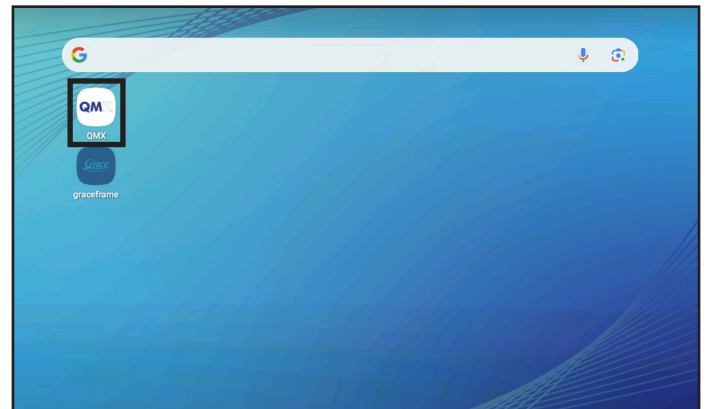
- 4 Select your Wi-Fi network.



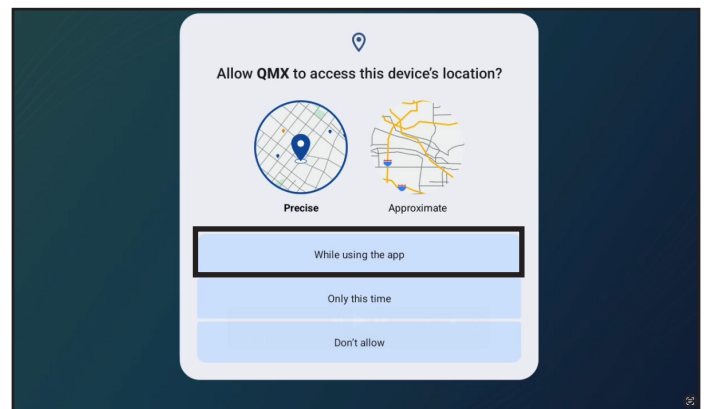
- 5 Enter the password for your Wi-Fi network.



- 6 On the tablet desktop, tap the **QMX** shortcut.

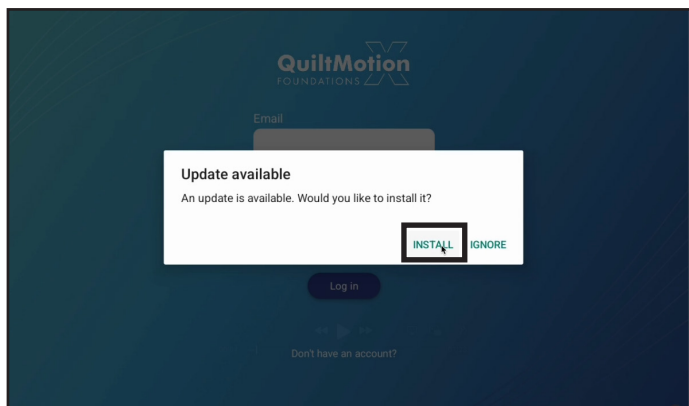


- 7 You're asked to allow QMX to access the device's location. Choose **While using the app**.

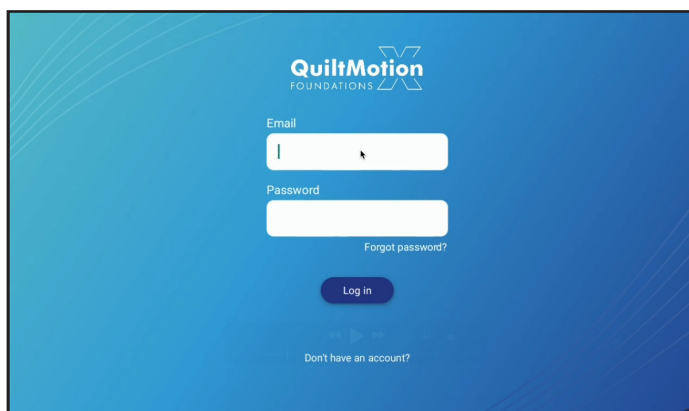


## Task 9 - Access the Software &amp; Connect to QMX (continued)

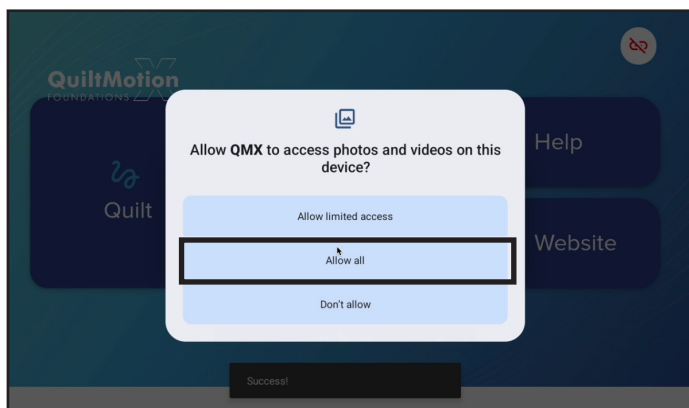
- 8 If there's an update available, you're prompted to install it. Do so.



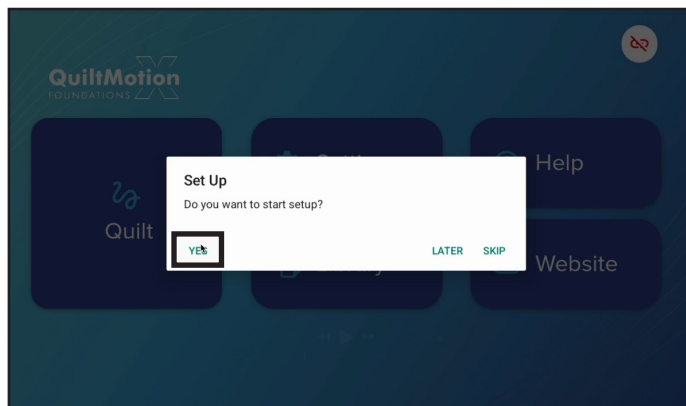
- 9 Log in to QuiltMotion X. Use the email address and password you used to log in at graceframe.com.



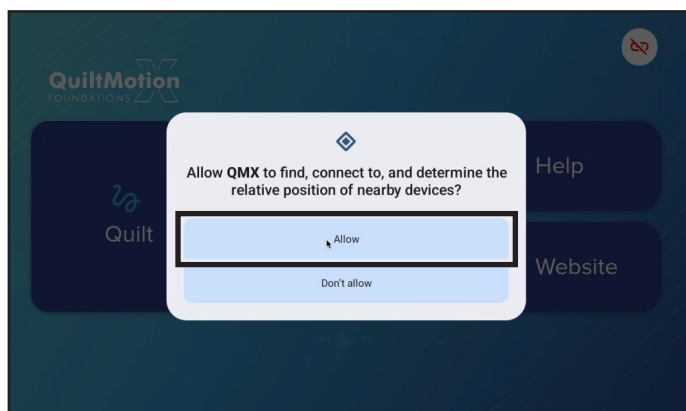
- 10 You're prompted to allow QMX to access your photos and videos. Choose **Allow all**.



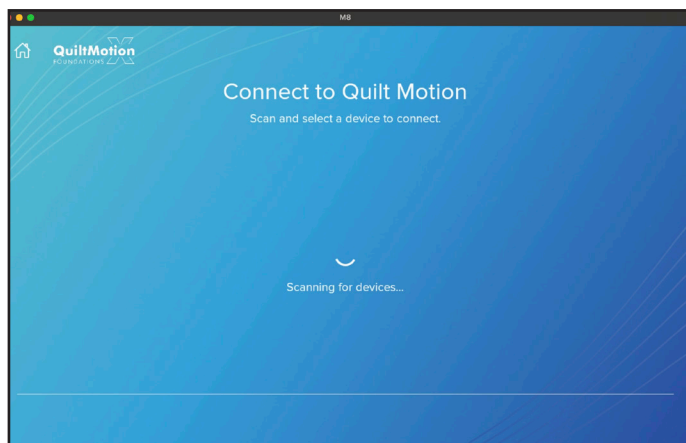
- 11 You're asked if you'd like to start setup. Choose **Yes**.



- 12 You're asked to allow QMX to find and connect to nearby QMX hardware devices. Select **Allow**.



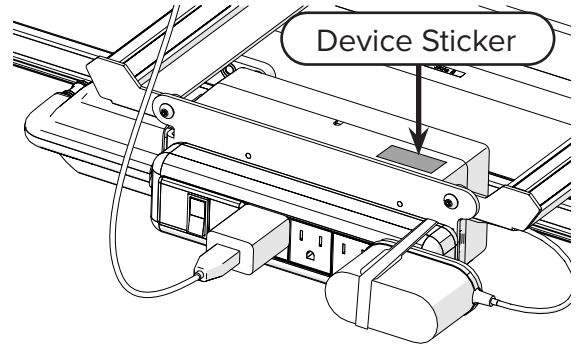
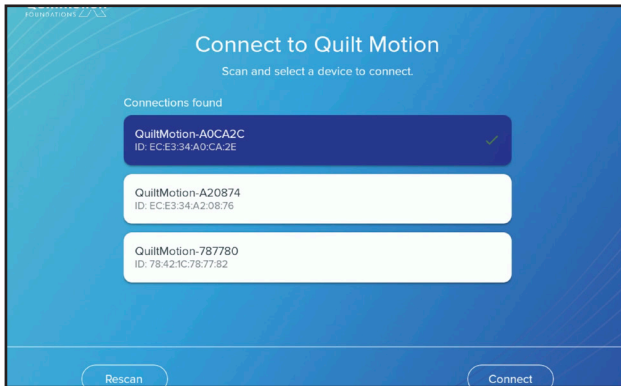
- 13 Wait as the software connects to your QMX hardware.



## Part Three

### Task 9 - Access the Software & Connect to QMX (continued)

- 14 Select the device you'd like to connect to and tap **Connect**. **Note:** If you have only one QMX system, there will only be one option. If you have multiple devices, confirm which device to select by looking at the **sticker** next to the power strip on the system you want to connect to.



Once the software and hardware are connected, the light on the side of the frame (on the X-axis assembly) turns green.

**Note:** If no devices are found, the QMX hardware might not be plugged in or turned on. Make sure it is and then tap **Rescan**.

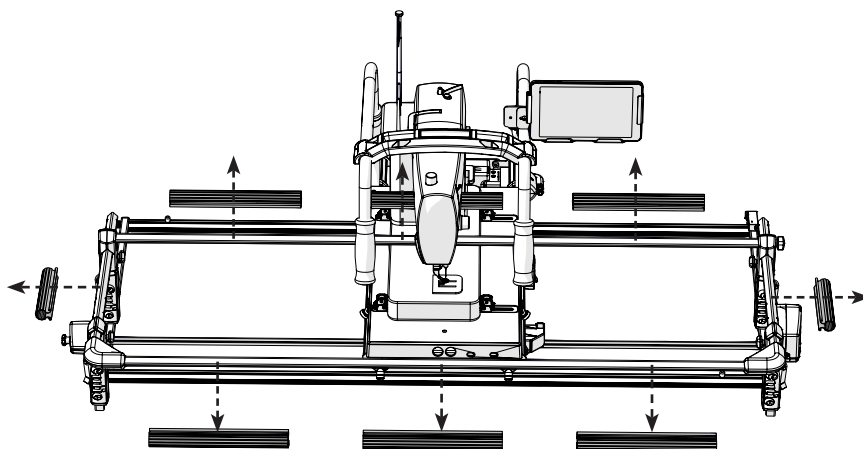
## Task 10 - Home Your Device

### Instructions

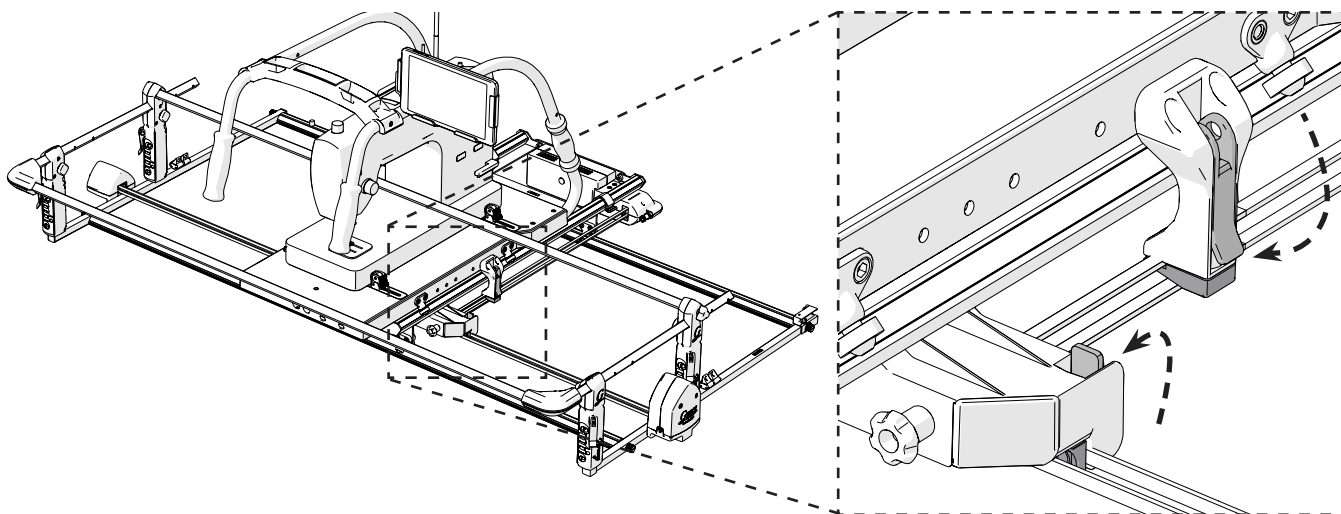
In order for QMX to properly track your machine's location within the frame, you must move your machine to a starting point or home position.

**Note:** The software will prompt you to follow this procedure any time you open the software, and any time you switch from free-motion quilting (quilting without automation) to using QMX. We recommend memorizing the home position for your machine.

- 1 Remove the fabric clamps (and any fabric) from the frame.



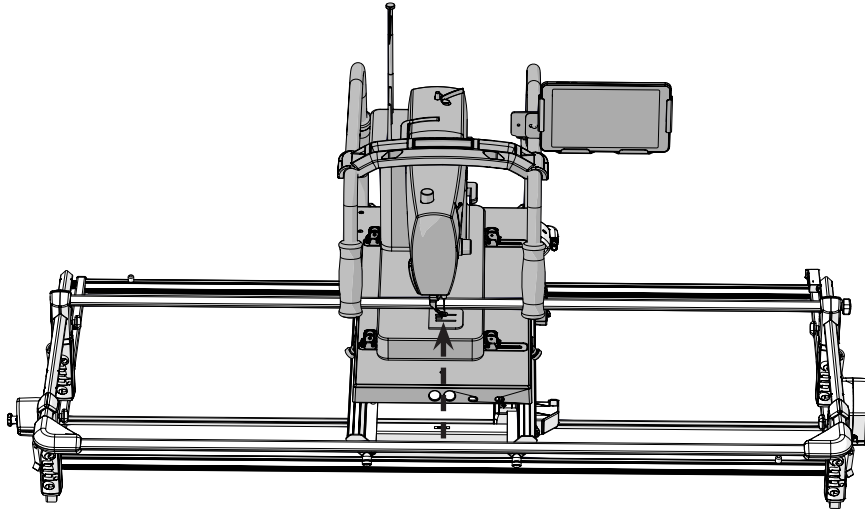
- 2 Close both of the belt clamps if they're not closed already.



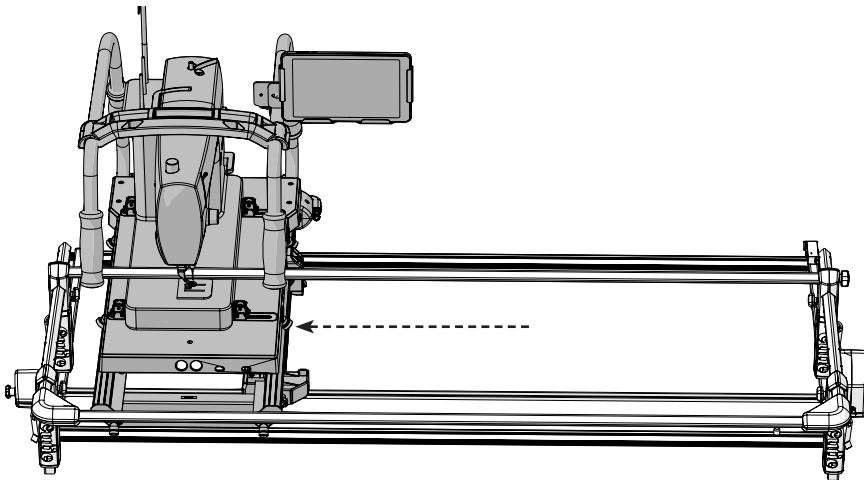
## Part Three

### Task 10 - Home Your Device (continued)

- 3 Move your machine as far back as it will go, until the machine foot hits the take-up rail.

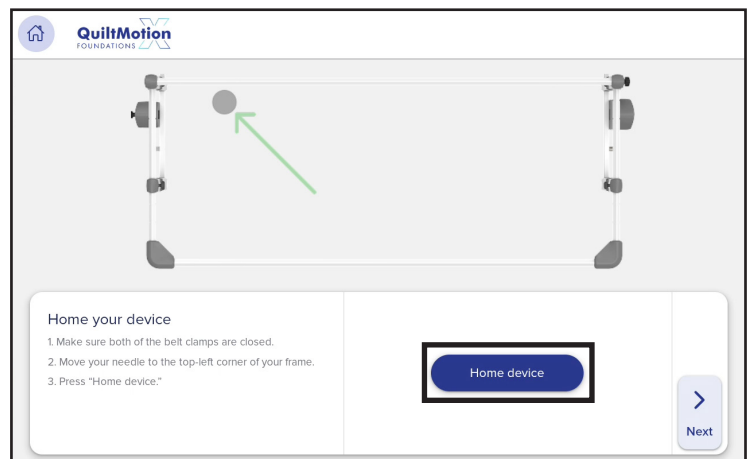
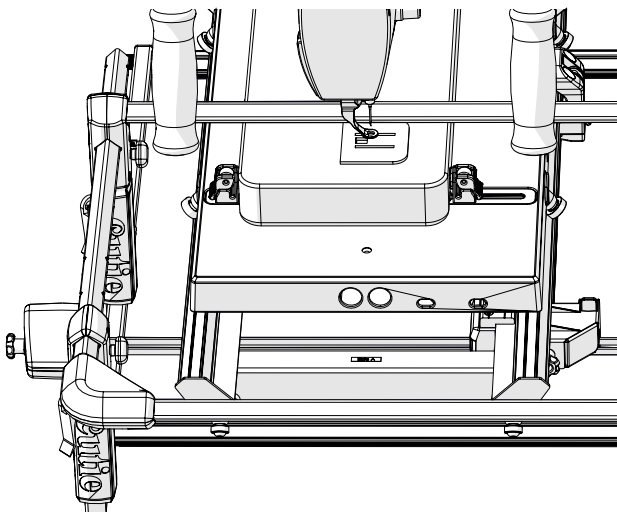


- 4 Move your machine to the left as far as it will go. This position, with your machine's foot as far back and to the left as it can go, is the *home position* for your machine.



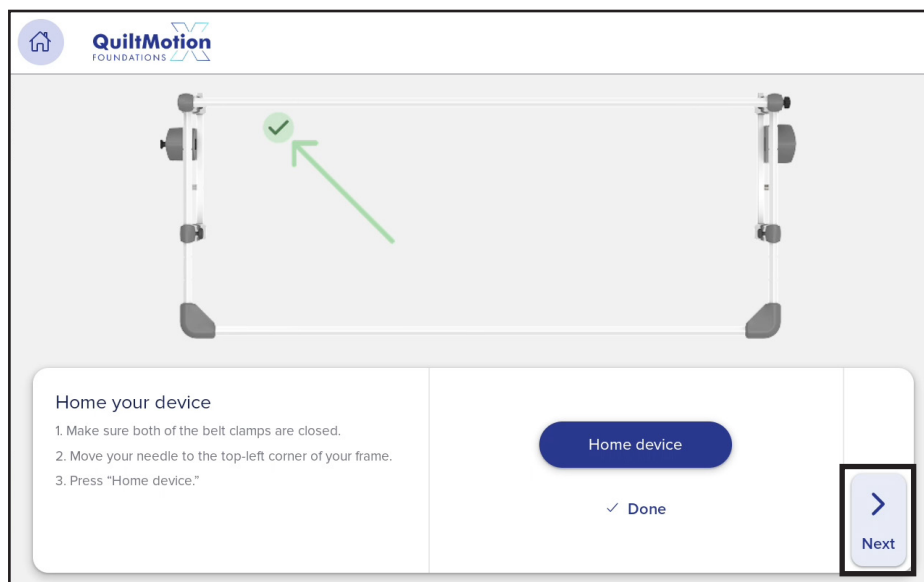
**Tip:** Memorize the *home position*. Throughout your time using the software, you'll be prompted to rehome the software any time the QMX hardware loses power, or when you switch to free-motion (automation-free) quilting. If you release the belt clamps you must close the clamps and rehome the machine in the Settings menu before continuing to quilt with QMX.

- 5 With your machine in place, tap **Home device**.

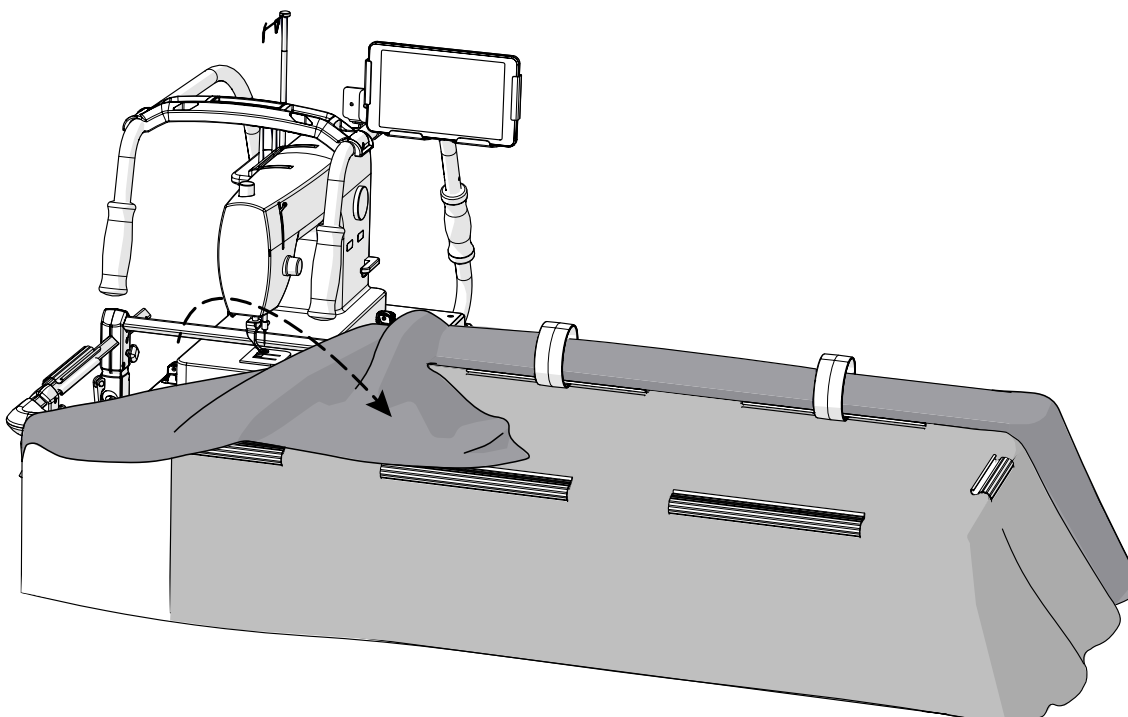


## Task 10 - Home Your Device (continued)

- 6 When finished, tap **Next**.



**Tip:** When prompted to home your device in the future, you do not need to take all the fabric and clamps off the frame. Just clear everything from the top-left corner that could prevent you from putting the machine in the home position.



## Task 11 - Define the Frame Space

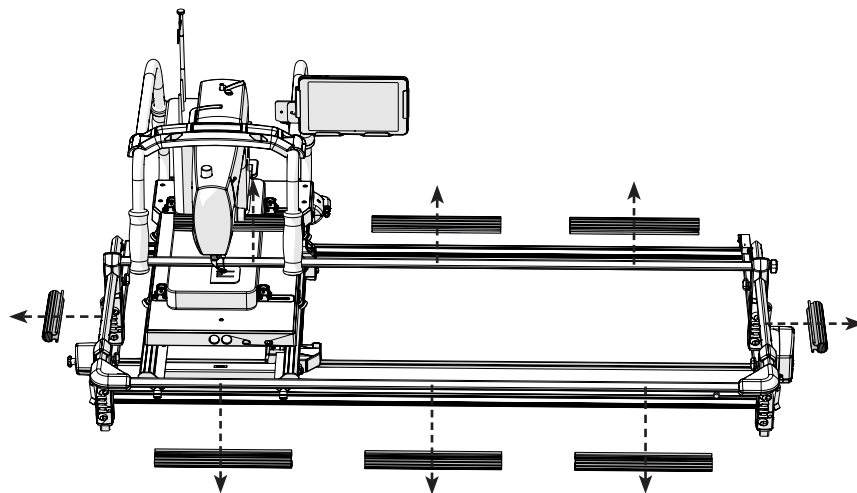
### Instructions

The “frame space” is a map inside the software of all the places on your frame that the machine’s needle can reach. Because every setup is different, with a wide range of possible machines, you must help the software understand where the needle can and can’t go. This prevents the software from crashing the machine into the rails while you’re quilting.

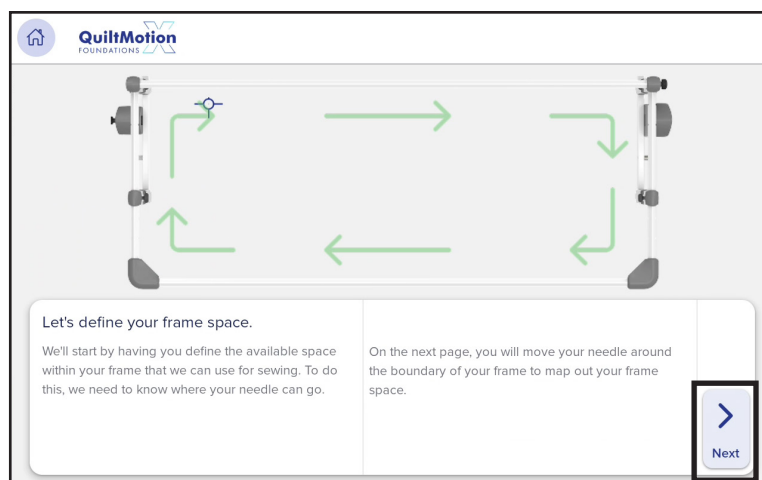
Setting the frame space is done once for initial setup, and must be re-done if you change out the machine on your frame.

Take the following steps to set up your frame space:

- 1 Remove any fabric from the frame and remove the fabric clamps if you they are installed.

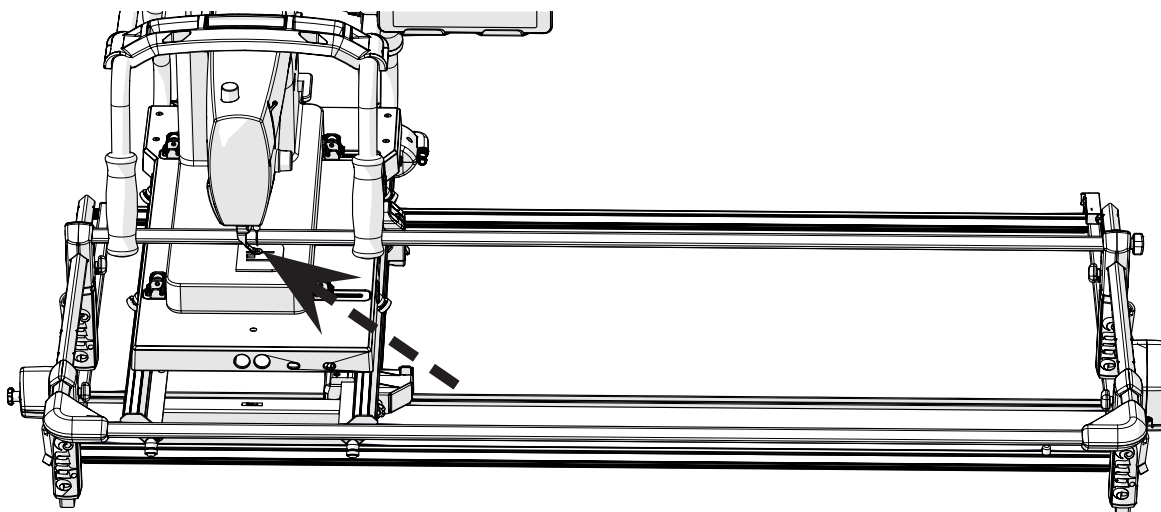


- 2 Tap **Next** on the screen.

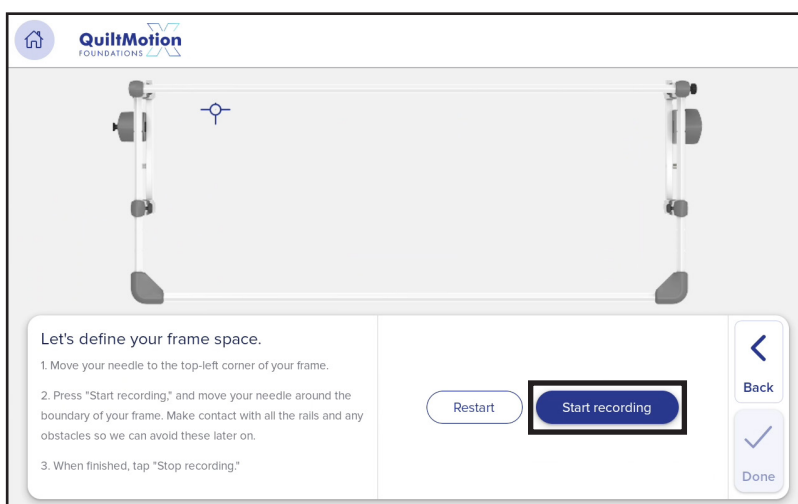


## Task 11 - Define the Frame Space (continued)

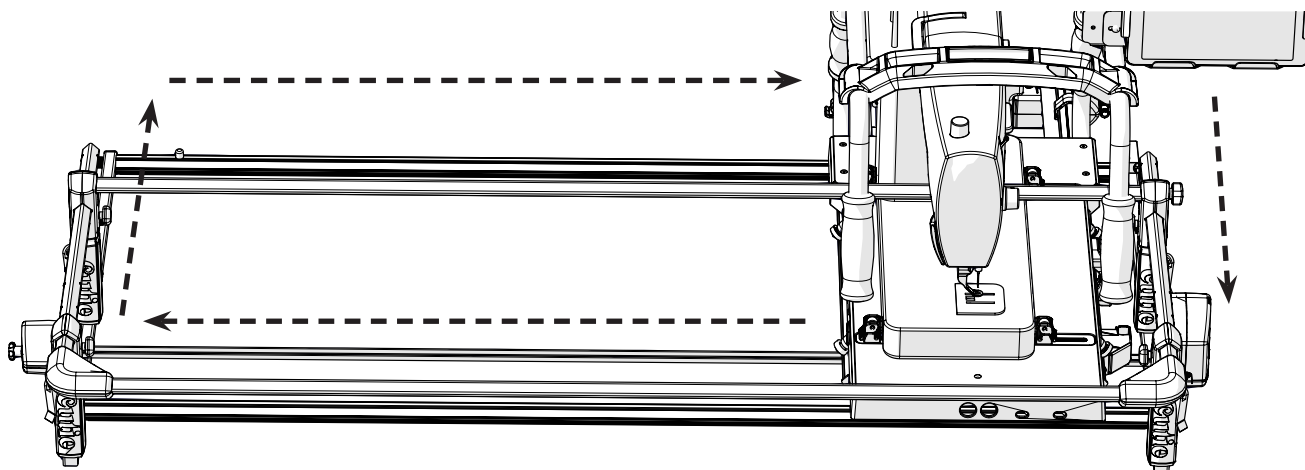
- 3 Move your machine to the home position. This is as back and to the left as it will go.



- 4 With your machine in the home position, tap **Start recording**.



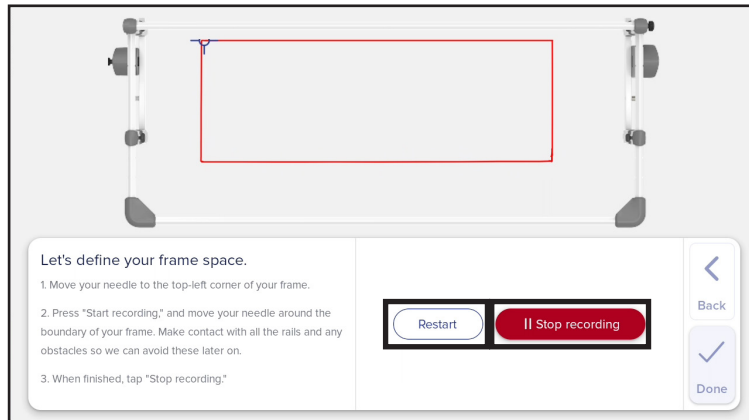
- 5 Moving in a clockwise direction, trace around your frame with your machine. Try to keep your machine's needle as close to the frame rails as possible.



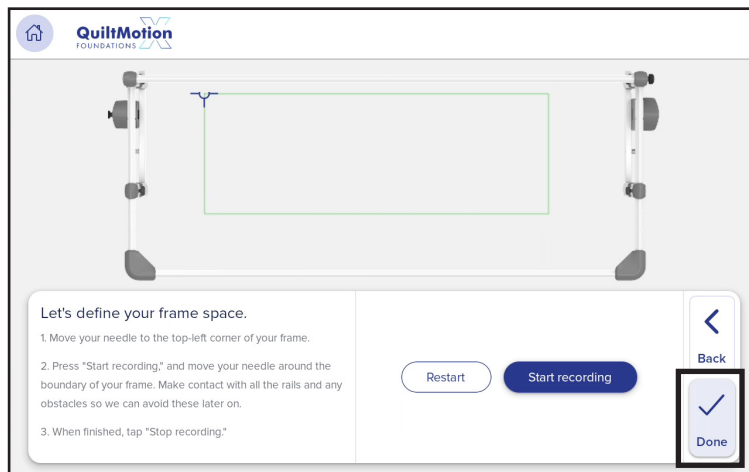
## Part Three

### Task 11 - Define the Frame Space (continued)

- 6 When the needle returns to the home position, check your work on screen. If the red box looks fairly neat and you are confident that you traced as close to the rails as possible, tap **Stop recording**. Otherwise, tap **Restart** and try again at step 4.



- 7 When finished, press **Done**.

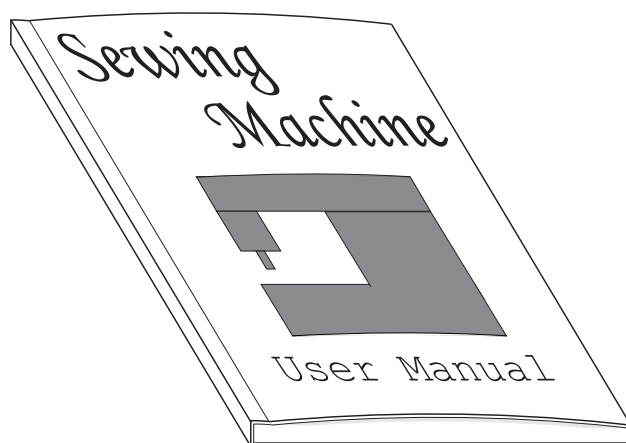


## Task 12 - Prepare Your Machine

### Instructions

Most of the remaining instructions you must follow are in your frame's manual, including steps to set up your machine for quilting. However, there is one extra task you must do for quilting with QMX. Take the following steps:

- 1 Review your machine's manual for needle stop position settings. These are settings that control whether the needle stays down after sewing stops or comes back up.



- 2 If possible, set your machine so that when it stops stitching, the needle is up, out of the fabric. This is a safety precaution that will help prevent damage to your machine or quilt if QMX is still moving your machine around after you've stopped stitching.

**Congratulations! You have completed Part Three of this manual.**

Continue to Part Four of your Cutie frame manual to:

- Finish setting up your machine for quilting.
- Attach your fabric to your frame.





*Grace*  
COMPANY

[www.graceframe.com](http://www.graceframe.com)

1-801-485-6688