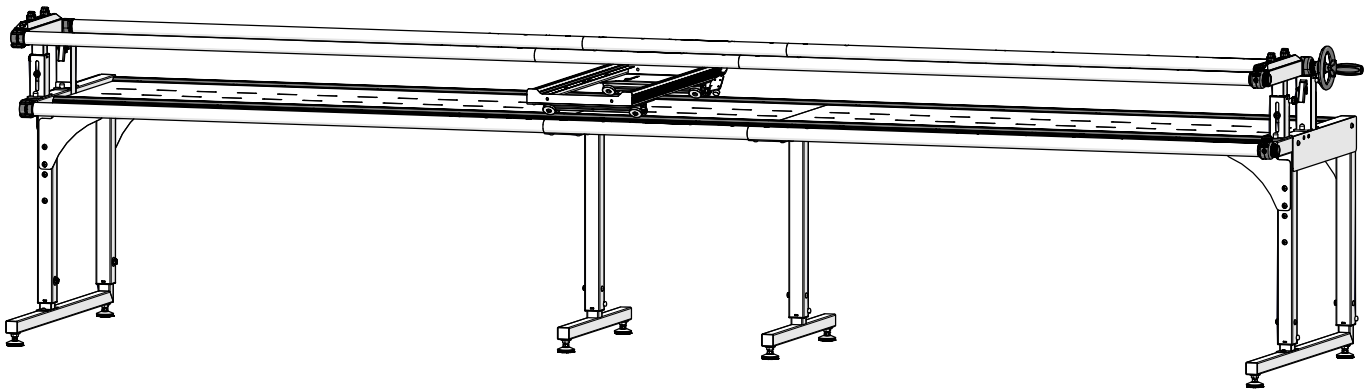


Continuum II

12 Foot Frame - Assembly & Use



Copyright March 1, 2021
Grace Company
(Reproduction Prohibited)
Version 1.1

MADE BY
Grace

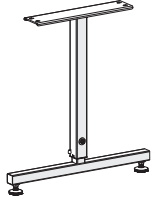
Contents

Included Parts & Tools	3
Base Frame Parts & Tools.....	4
Extended Frame Assembly	8
Step 1 - Setting the Frame Height.....	9
Step 2 - Building the Frame Table	11
Step 3 - Installing the Tracks	16
Step 4 - Assembling the Rail Supports	20
Step 5 - Installing the Bottom Carriage	21
Step 6 - Installing the Quilting Machine	23
Step 7 - Leveling the Frame	25
Step 8 - Installing the Rails	27
Step 9 - Assembling the Handwheel.....	33
Step 10 - Installing the Bungee Clamps	34
Step 11 - Adjusting the Rails	35
Step 12 - Installing the Velcro Tape.....	37
Step 13 - Installing Leader Cloth	40
Upgrade Existing Frame	42
Step 1 - Rail Assembly.....	43
Step 2 - Track Assembly.....	46
Step 3 - Extending the Table.....	51
Step 4 - Installing the Tracks	55
Step 5 - Leveling the Frame	57
Step 6 - Installing the Rails	59
Step 7 - Adjusting the Rails	61
Step 8 - Installing the Velcro Tape.....	64
Step 9 - Installing Leader Cloth	67
Using Your Frame	69
Sizing the Quilt Backing and Batting.....	70
Attaching the Fabric	71
Using the Channel Locks.....	75

Included Parts & Tools

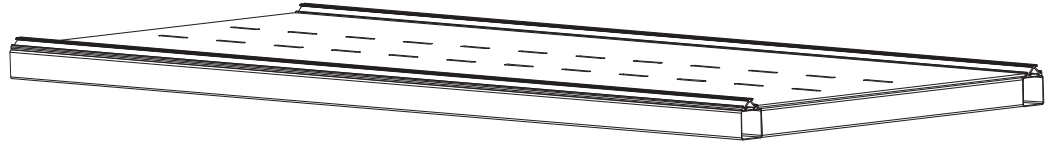
Please make sure all pieces are included in your kit.

Middle Leg



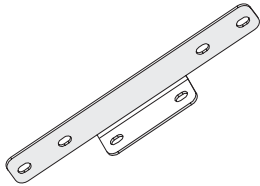
CII-09-14523
See page 9, 51

2 ft Table Section



CII-09-14639
See page 11, 46

**Middle Leg
Brace (x2)**



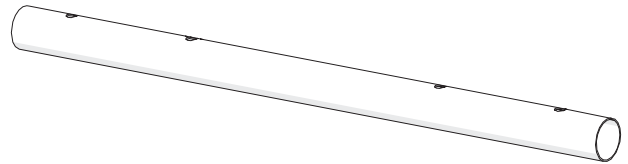
CII-04-14504
See page 11, 51

**Track Support
Connector (x2)**



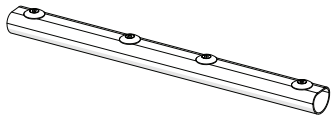
CNT-04-11041
See page 16, 46

2 ft Rail Sections (x3)



CII-04-11397
See page 27, 43

Rail Coupler (x3)



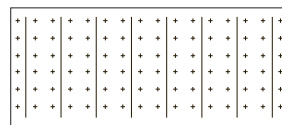
CNT-08-11865
See page 27, 43

**12 ft Plastic
Track (x4)**



CII-05-10561
See page 16, 46

**136" Leader
Cloth Set**



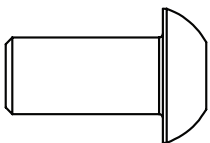
ACC-01-10750
See page 37, 64

Allen Wrench 3 mm



HDW-03-10166

**SBHCS Screw
M8 x 16 mm (x16)**



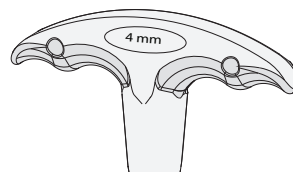
HDW-03-10951
See page 11, 51

**Set Screw
M6 x 6 mm (x8)**



HDW-03-10037
See page 16, 46

**T-Handle Allen
Wrench 4 mm**



HDW-03-13114

Allen Wrench 5 mm

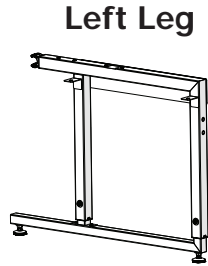


HDW-03-10741

Base Frame Parts & Tools

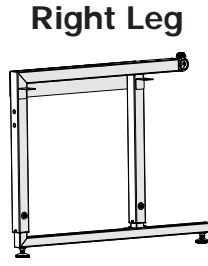
The following parts come in the 10 ft Continuum 2 Base Frame only.

Box 1



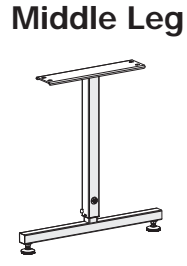
Left Leg

CII-09-14522



Right Leg

CII-09-14521

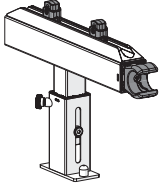


Middle Leg

CII-09-14523

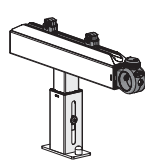
Inner Box

Front Rail Arm
(Non-Ratcheting)



CII-09-14627

Front Rail Arm
(Ratcheting)



CII-09-14626

Take-Up Rail Arm
(Non-Ratcheting)



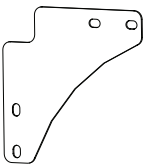
CII-09-14622

Take-Up Rail Arm
(Ratcheting)



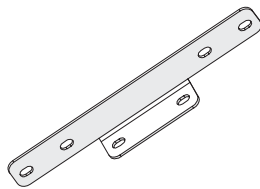
CII-09-14623

Corner Leg
Brace (x4)



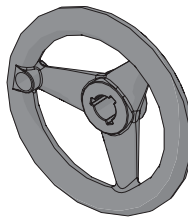
CII-04-14503

Middle Leg
Brace (x2)



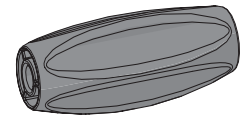
CII-04-14504

Handwheel



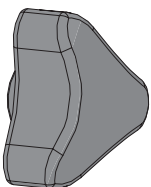
PLA-05-11550

Handwheel Knob



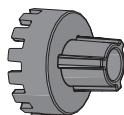
PLA-05-11551

Three-arm
Handwheel Knob



PLA-05-14600

Handwheel Coupler



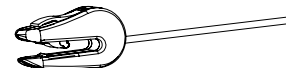
PLA-05-10926

Track Support
Connector (x2)



CNT-04-11041

Bungee Clamp (x4)



ACC-01-10261

Base Frame Parts & Tools (Continued)

Allen Wrench 3 mm



HDW-03-10166

Allen Wrench 5 mm



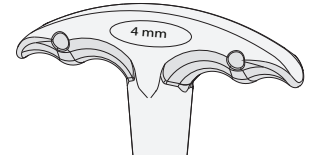
HDW-03-10741

Allen Wrench 6 mm



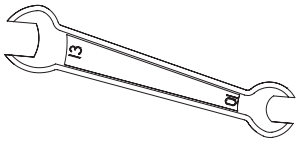
HDW-03-10742

T-Handle Allen Wrench 4 mm



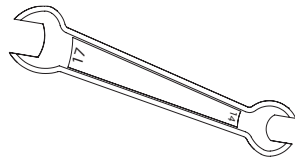
HDW-03-10167

Open-ended Wrench 10 mm & 13 mm



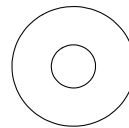
HDW-03-10743

Open-ended Wrench 14 mm & 17 mm



HDW-03-12347

M10 Washer



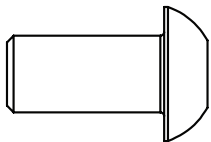
HDW-03-10952

Set Screw M6 x 6 mm (x8)



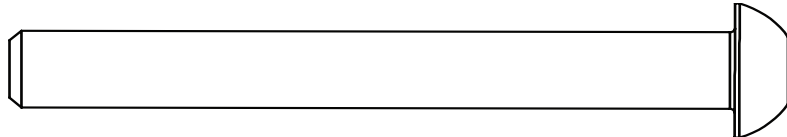
HDW-03-10037

SBHCS Screw M8 x 16 mm (x36)



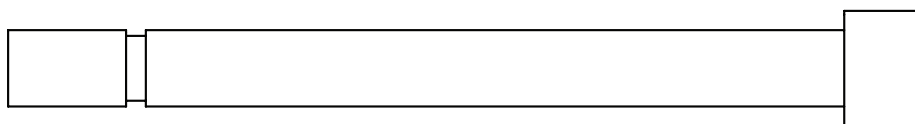
HDW-03-10951

SBHCS Screw M8 x 55 mm (x8)



HDW-03-10726

Shoulder Bolt M8 x 85 mm SHCS



HDW-03-11195

Base Frame Parts & Tools (Continued)

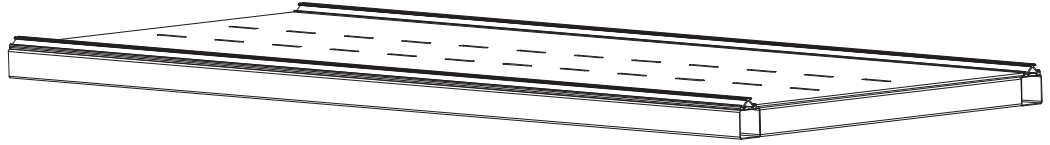
Box 2

Long Plastic
Track 10 ft (x4)



PLA-05-10560

Table Section 5 ft (x2)



CII-09-14630

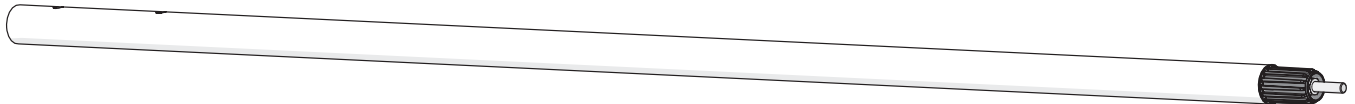
Short Plastic Track (x4)



PLA-05-11371

Box 3

Handwheel Rail 5 ft



CII-09-14887

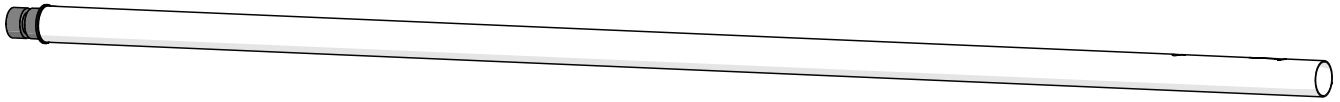
Ratchet Rail Section 5 ft (x2)



CII-09-14634

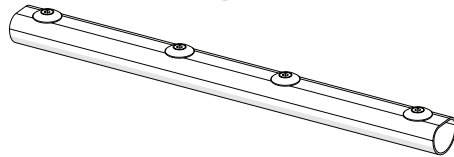
Base Frame Parts & Tools (Continued)

Non-ratchet Rail Section 5 ft (x3)



CII-09-14635

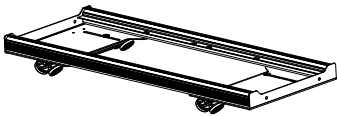
Rail Coupler (x3)



CNT-08-11865

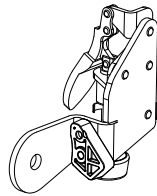
Box 4

Bottom Carriage



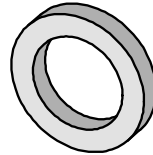
CNT-09-13523

Channel Lock (x2)



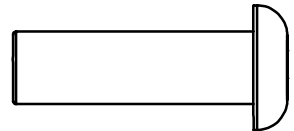
ACC-09-13507

Channel Lock Washer (x2)



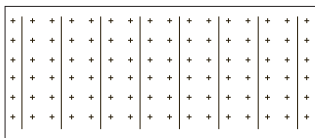
CNT-04-11580

**SBHCS Screw
M6 x 20 mm (x2)**



HDW-03-10088

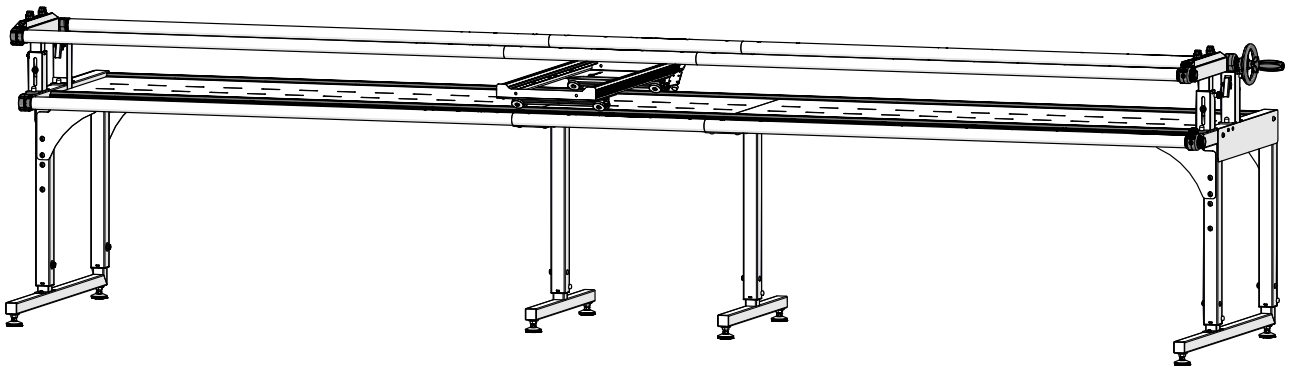
Leader Cloth Set



ACC-01-10748

Extended Frame Assembly

This section describes the steps for setting up the frame if the base frame has not yet been assembled. For steps on extending a frame that has already been set up, see "Upgrade Existing Frame" on page 42.



Tip: For additional help, scan the QR code below with the camera on your smart phone to visit our online support videos!

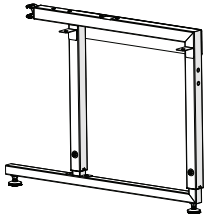


<https://www.graceframe.com/en/resources/support/videos>

Step 1 - Setting the Frame Height

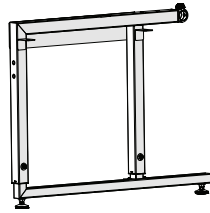
Parts & Tools Needed:

Left Leg



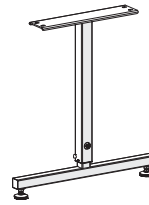
From Base Frame

Right Leg



From Base Frame

Middle Leg (x2)



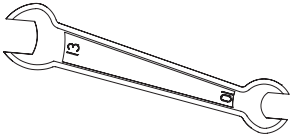
From Base Frame & Extension Box

Allen Wrench 5 mm



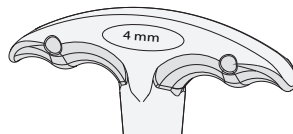
Extension Box

**Open-ended Wrench
10 mm & 13 mm**



From Base Frame

**T-Handle Allen
Wrench 4 mm**

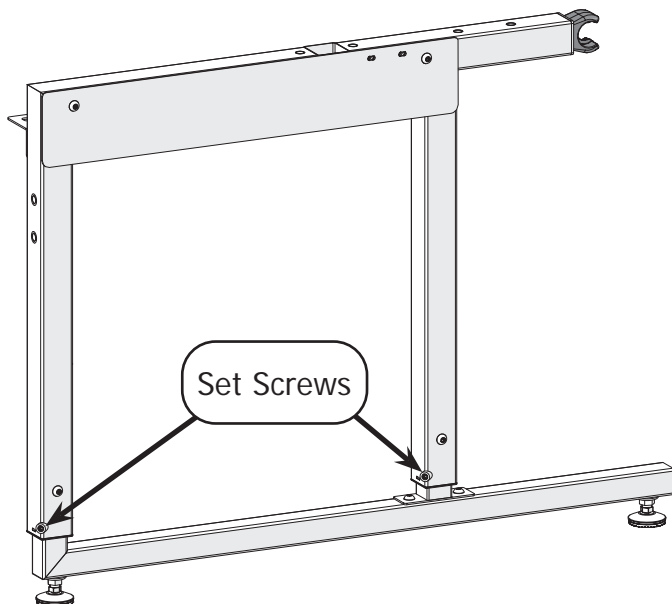


Extension Box

Instructions

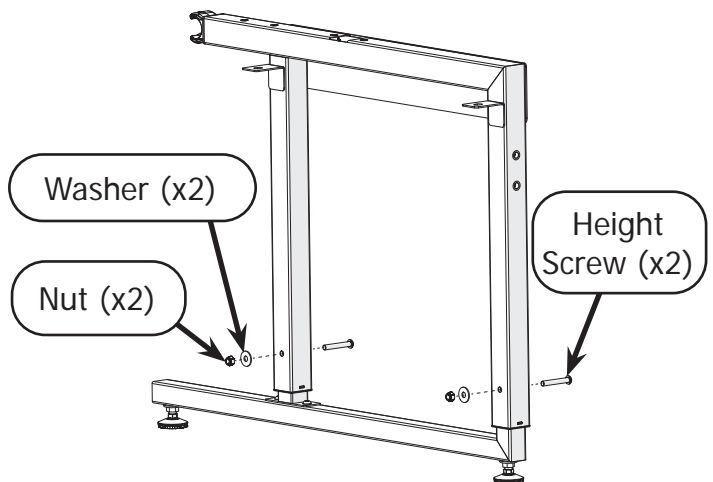
The frame height is most easily adjusted prior to frame assembly. Please take the following steps:

- 1 On all legs:** Loosen (do not remove) the **set screws** toward the base of each leg with the 4 mm Allen wrench.



Note: Middle legs have only one set screw.

- 2 On all legs:** Remove the M8 x 55 mm SBHCS **height screws**, **washer**, and **nut** with the 10 mm open-end wrench and 5 mm Allen wrench.

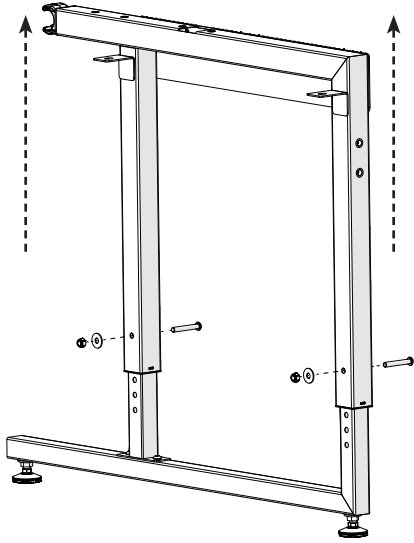


Note: Middle legs have only one nut, washer, and M8 x 55 mm SBHCS height screw.

Extended Frame Assembly

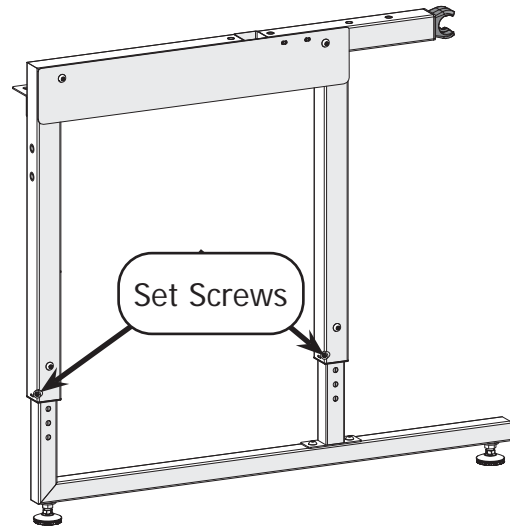
Setting the Frame Height (Continued)

- 3 **On all legs:** Raise the top of the leg until the leg is the desired height. Re-install the height screws, washer and nut.



Important: Set all the legs to the same height hole.

- 4 **On all legs:** Re-tighten the **set screws** with the 4 mm Allen wrench. The middle leg has only one set screw.



Note: Final height may vary slightly after adjusting the leveling feet (see page 25).

Step 2 - Building the Frame Table

Parts & Tools Needed:

Table Section (x2)



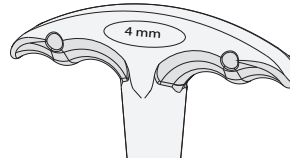
From Base Frame

Table Section 2ft

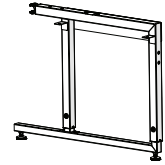


Extension Box

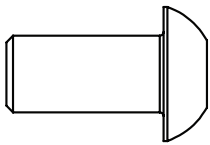
T-Handle Allen Wrench 4 mm



Left Leg



SBHCS Screw
M8 x 16 mm (x40)

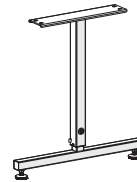


From Base Frame
& Extension Box

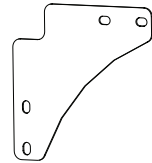
Allen Wrench 5 mm



Middle Leg (x2)

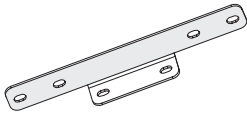


Corner Brace (x4)



From Base Frame

Middle Leg
Brace (x4)

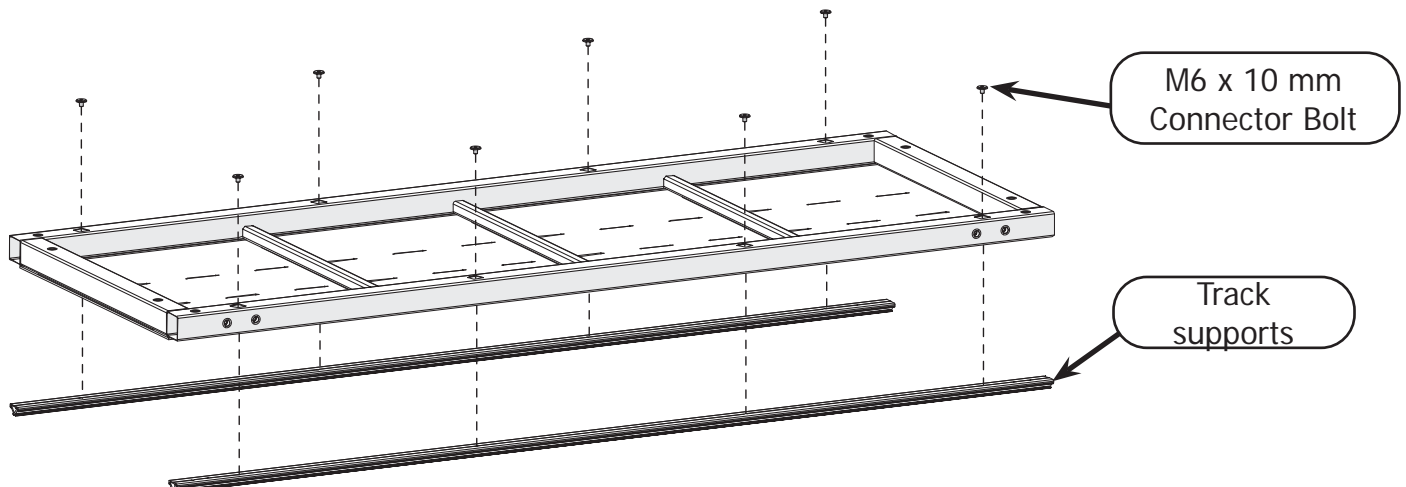


From Base Frame
& Extension Box

Instructions

Attach the table tops to the frame legs by taking the following steps:

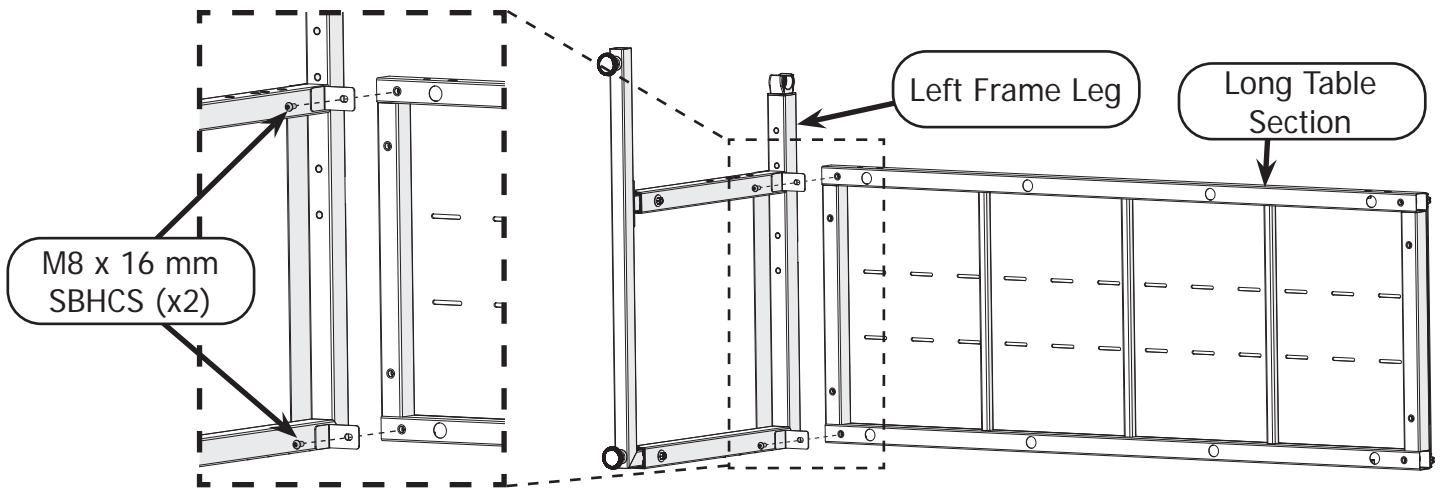
- 1 **On all table sections (long and short):** Use the 4 mm T-handle Allen wrench to remove the **M6 x 10 mm connector bolts** attaching the metal track supports.



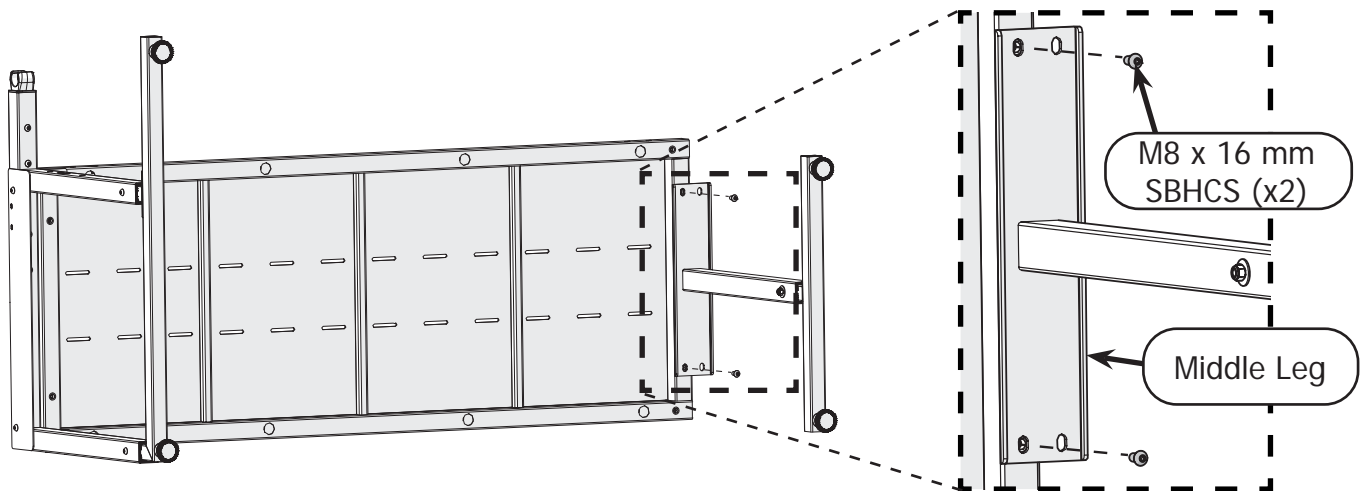
Extended Frame Assembly

Building the Frame Table (Continued)

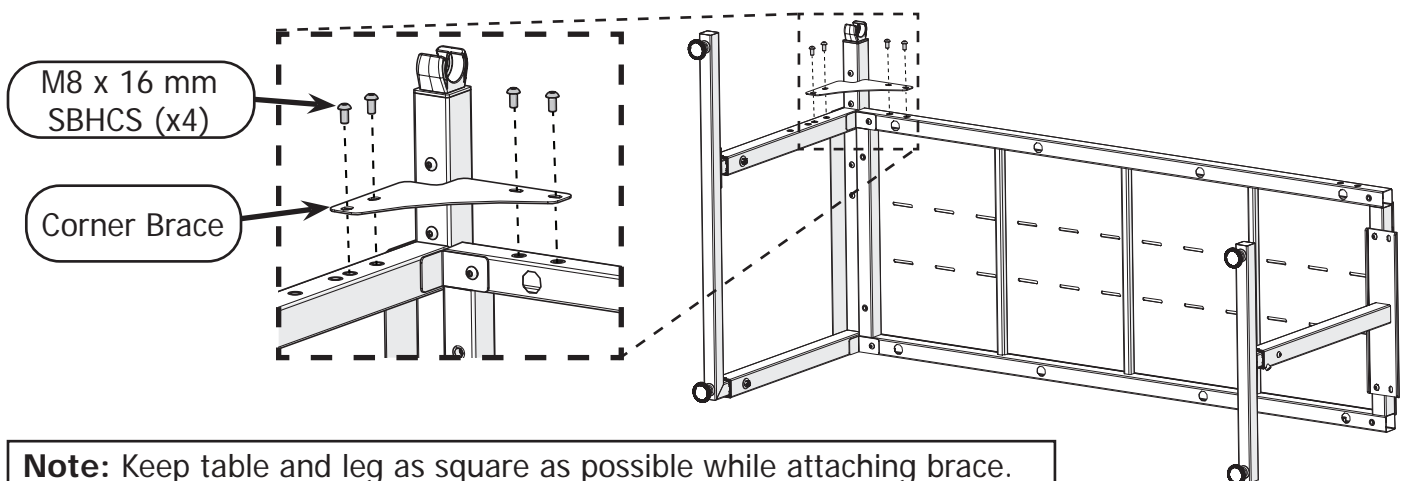
- 2 Use two **M8 x 16 mm SBHCS** screws to attach the **left frame leg** to the underside of one of the **long table sections**. Tighten with the 5 mm Allen wrench.



- 3 Use two **M8 x 16 mm SBHCS** screws and the 5 mm Allen wrench to attach the left table section to one of the **middle legs**.



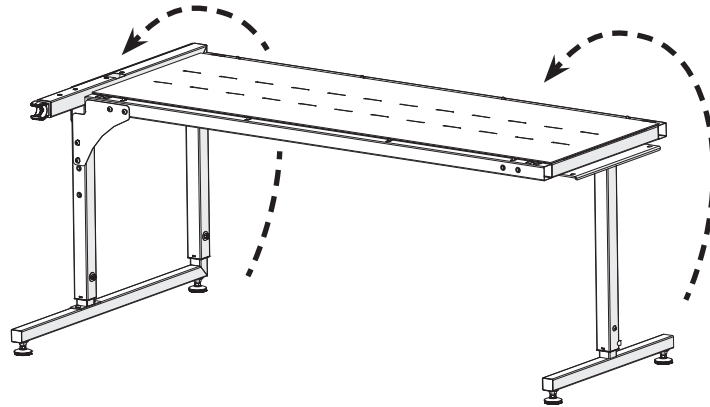
- 4 Attach one of the **corner braces** to the top left corner of the frame with the 5 mm Allen wrench and four **M8 x 16 mm SBHCS** screws.



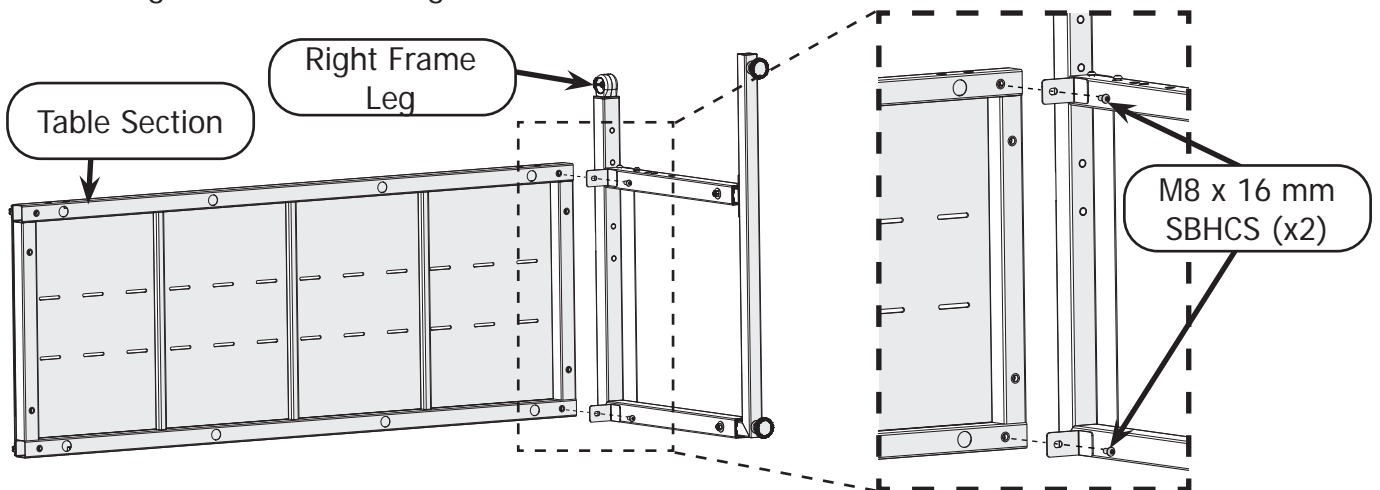
Note: Keep table and leg as square as possible while attaching brace.

Building the Frame Table (Continued)

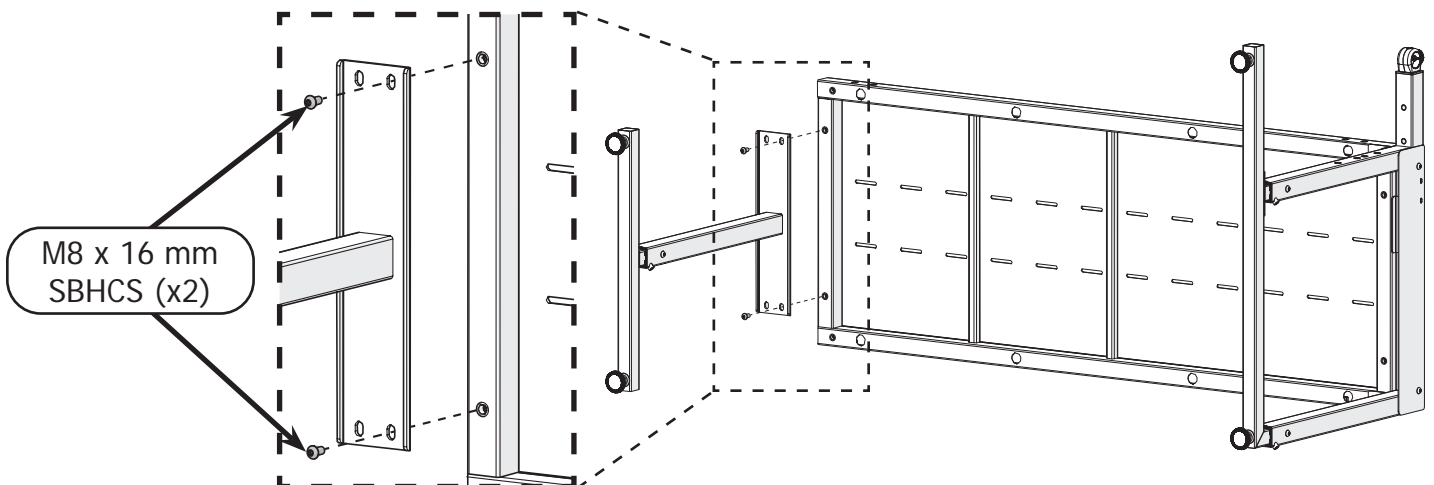
5 Carefully lift the table to a standing position.



6 Use two **M8 x 16 mm SBHCS** screws to attach the **right frame leg** to the underside of the remaining **table section**. Tighten with the 5 mm Allen wrench.



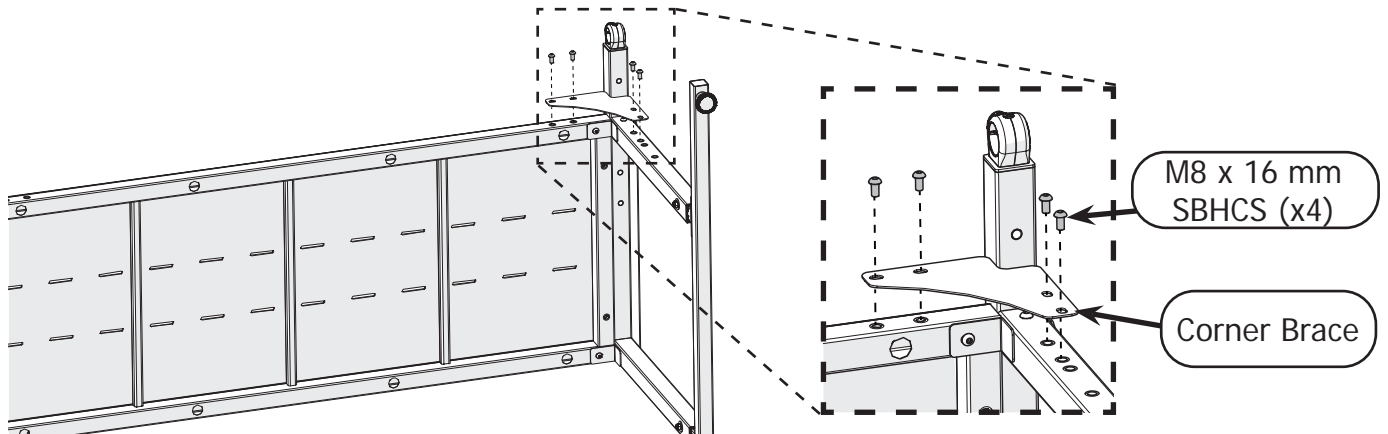
7 Use two **M8 x 16 mm SBHCS** screws and the 5 mm Allen wrench to attach the right table section to the free middle leg.



Extended Frame Assembly

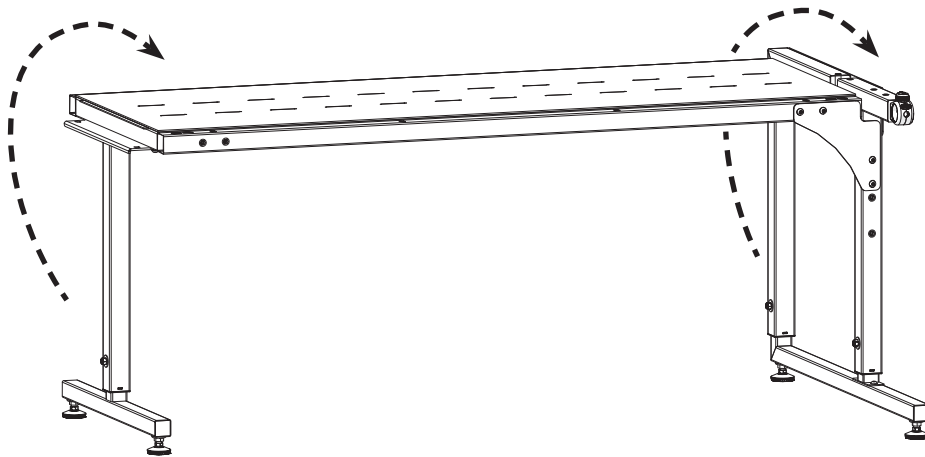
Building the Frame Table (Continued)

- 8 Attach one of the **corner braces** to the top right corner of the frame with the 5 mm Allen wrench and four **M8 x 16 mm SBHCS** screws.

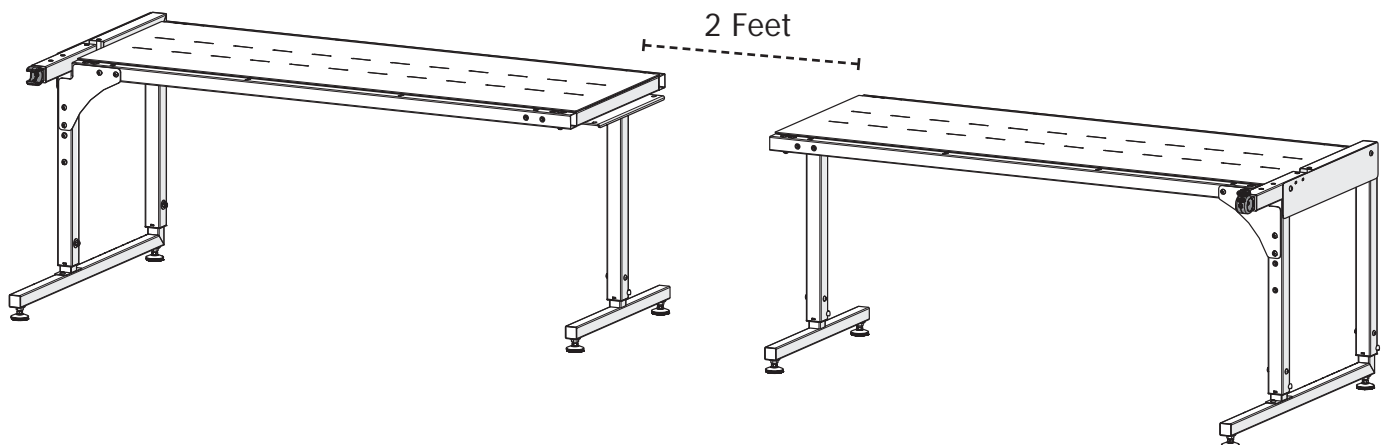


Note: Keep table and leg as square as possible while attaching brace.

- 9 Carefully lift the second half of the frame into a standing position.

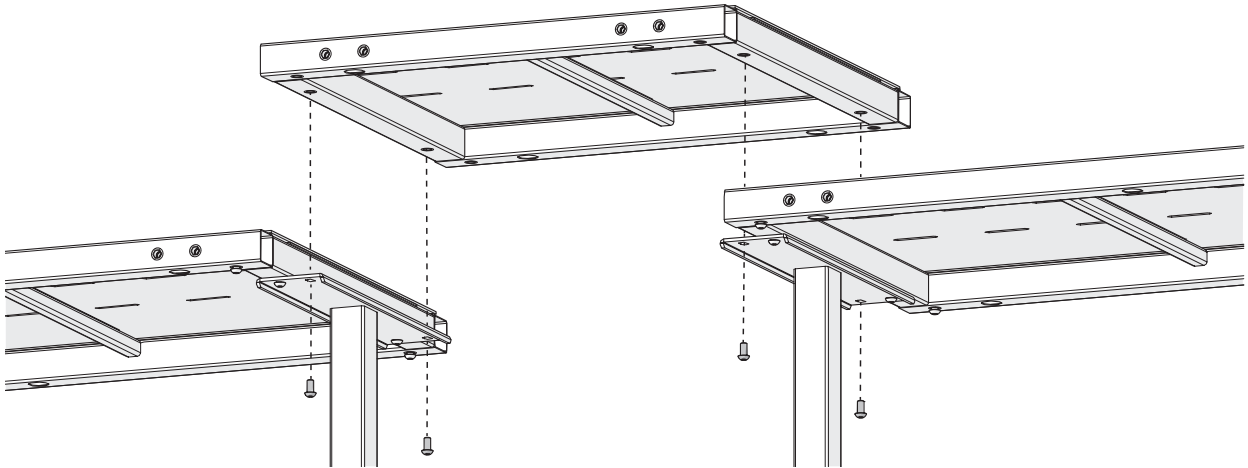


- 10 Line up the two table sections so there is about 2 feet of space between them.

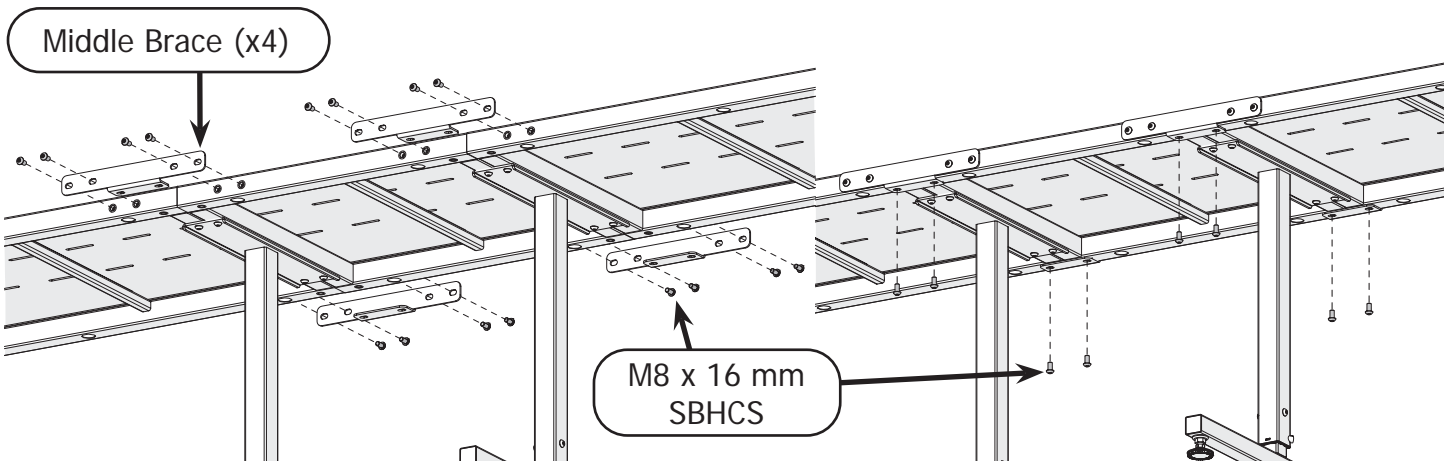


Building the Frame Table (Continued)

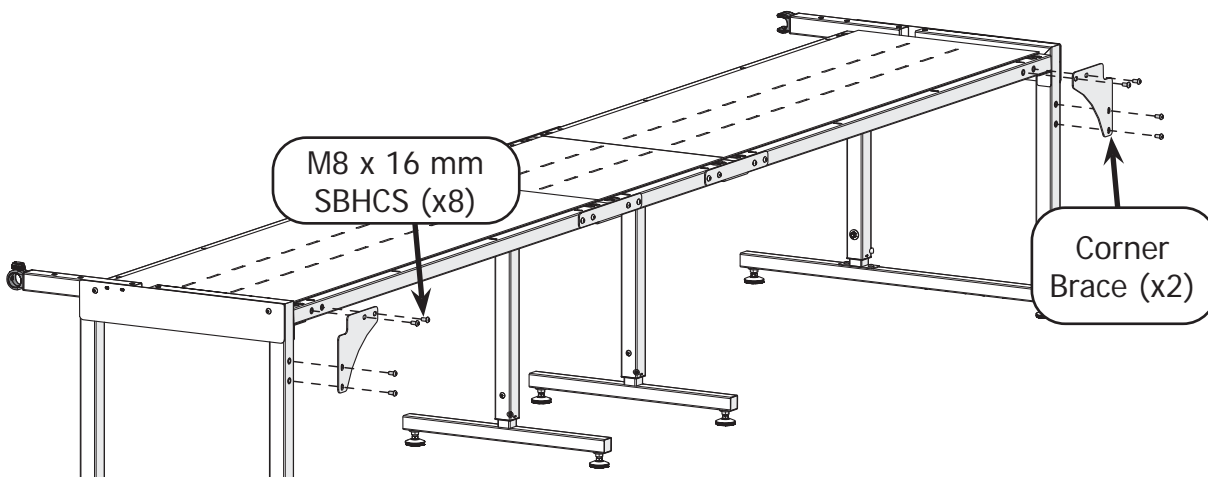
- 11 Attach the 2ft table section to the middle legs using four **M8 x 16 mm SBHCS** screws and the 5 mm Allen wrench.



- 12 Install a **middle brace** onto the front and back of both middle legs with six **M8 x 16 mm SBHCS** screws each and the 5 mm Allen wrench.



- 13 Install **corner braces** onto the rear corners of the frame with four **M8 x 16 mm SBHCS** screws each and the 5 mm Allen wrench.



Extended Frame Assembly

Step 3 - Installing the Tracks

Parts & Tools Needed:

Track Support Connector (x4)



Base Frame & Extension Box

Set Screw M6 x 6 mm (x16)



Base Frame & Extension Box

Allen Wrench 3 mm



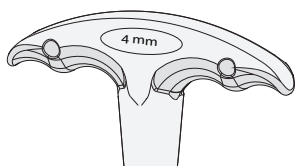
Extension Box

12 Foot Plastic Track (x4)



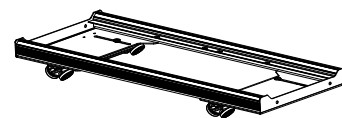
Extension Box

T-Handle Allen Wrench 4 mm



- **Long Track Supports (x4)**
(Removed from table sections in Step 2)
- **Short Track Supports (x2)**
(Removed from table sections in Step 2)
- **Connector Bolts (x20)**
(Removed from table sections in Step 2)

Bottom Carriage

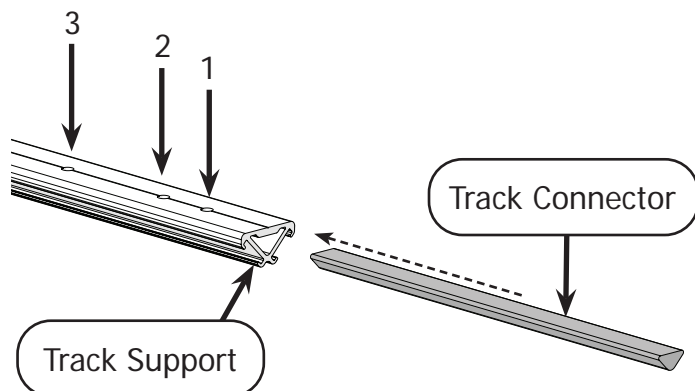


Base Frame

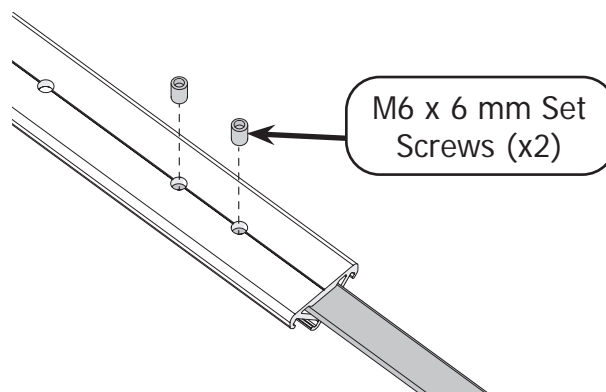
Instructions

The frame tracks allow the quilting machine to move across the frame. To install the frame tracks, take the following steps:

- 1 Slide a **track connector** into one of the **long track supports** so that it passes the first two holes, but not the third.

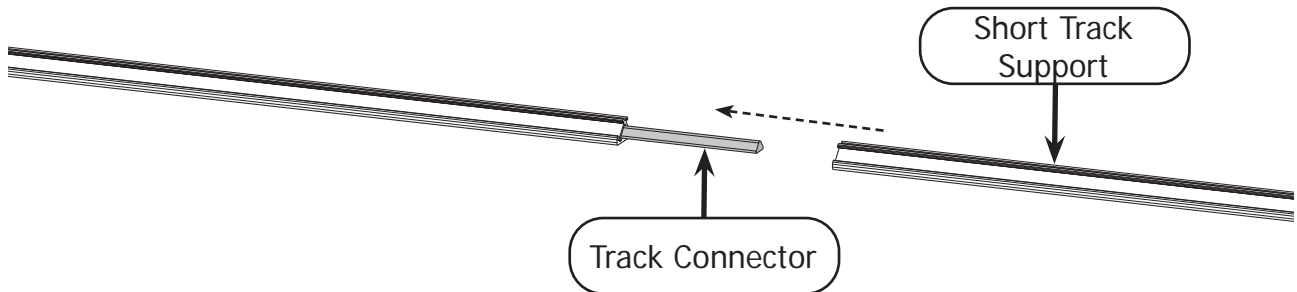


- 2 Screw two **M6 x 6 mm set screws** into the track support with the 3 mm Allen wrench. Tighten until the connector is held firmly in place.

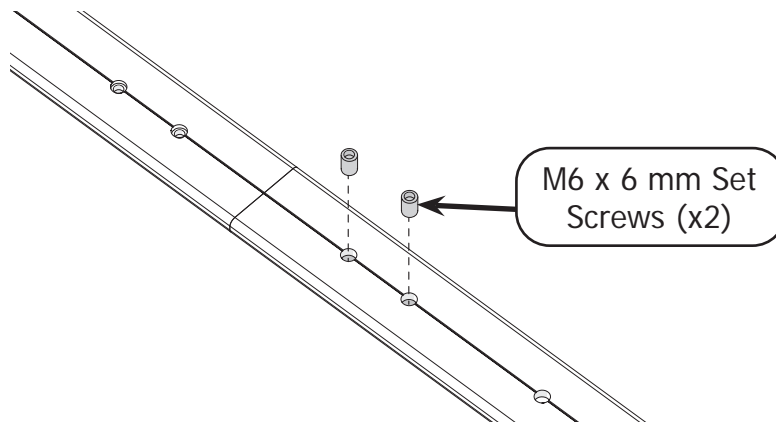


Installing the Tracks (Continued)

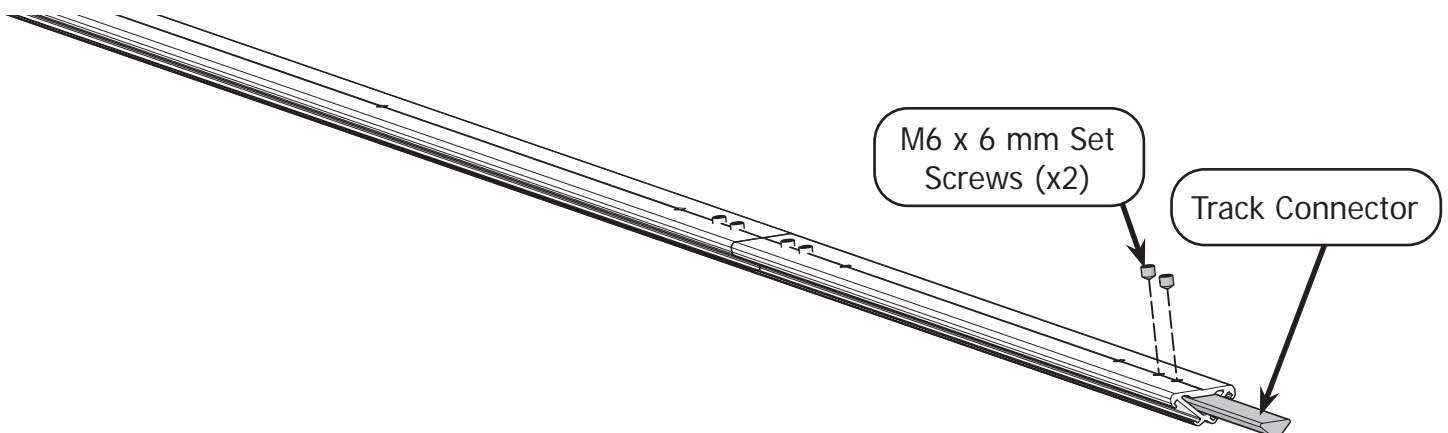
- 3 Slide a **short track support** onto the **track connector**.



- 4 Use two **M6 x 6 mm set screws** and the 3 mm Allen wrench to tighten the track support firmly to the connector.

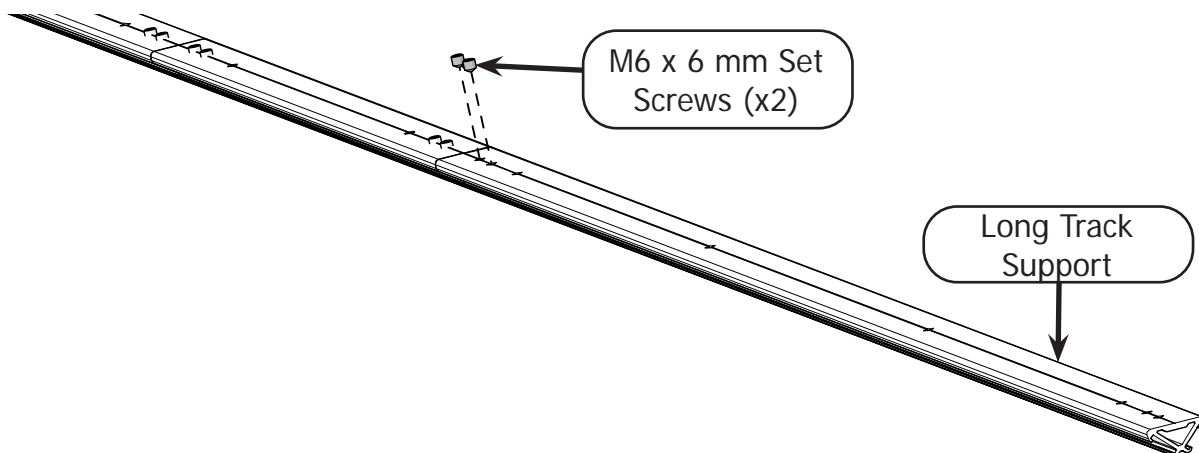


- 5 Now slide a **track connector** into the free end of the short track support and use two **M6 x 6 mm set screws** to hold it in place.

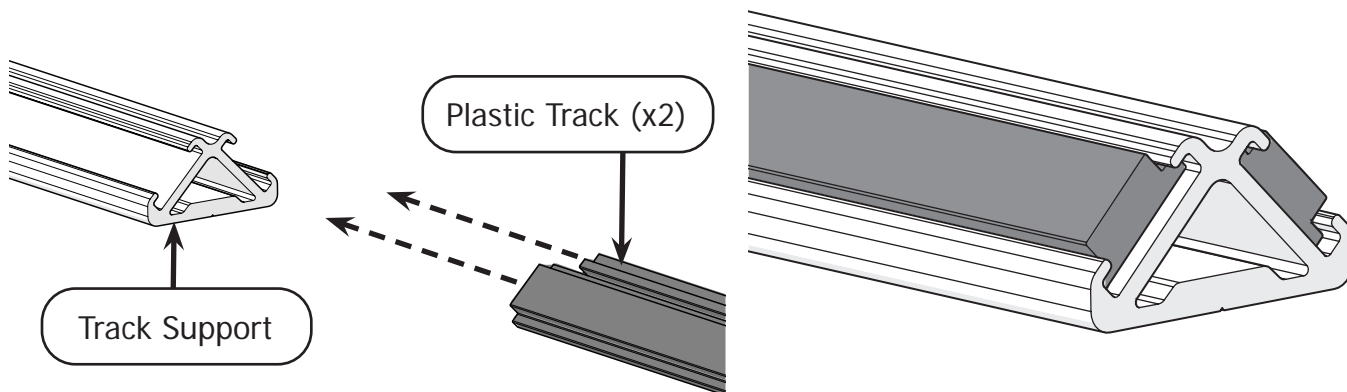


Installing the Tracks (Continued)

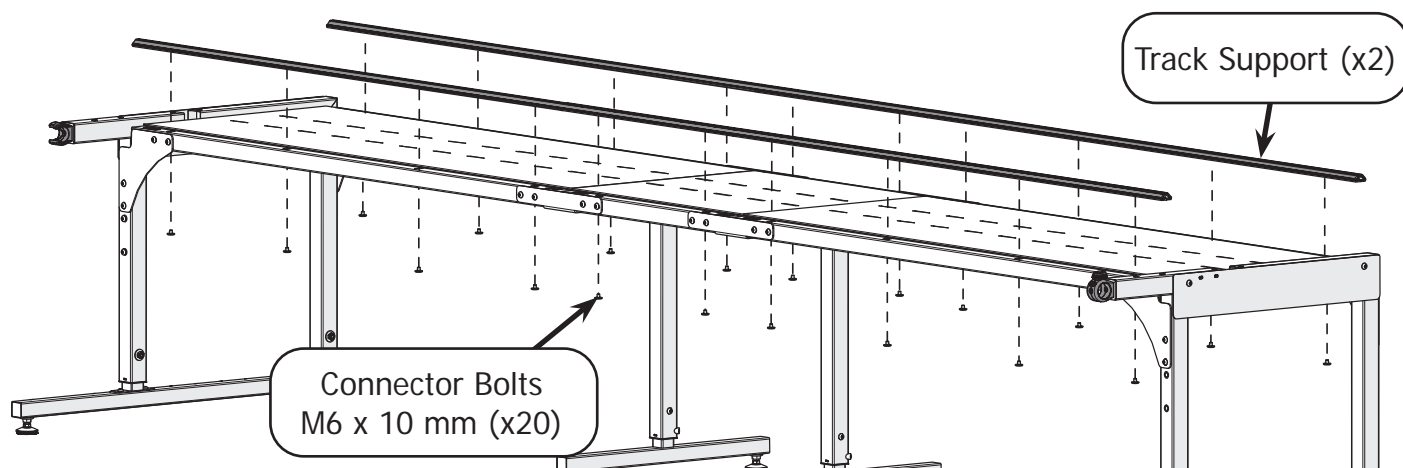
- 6 Attach another long track support to the assembly using the track connector and two M6 x 6 mm set screws.



- 7 Thread each of the **plastic tracks** into the **track supports**. Repeat steps 1–7 with the remaining parts.

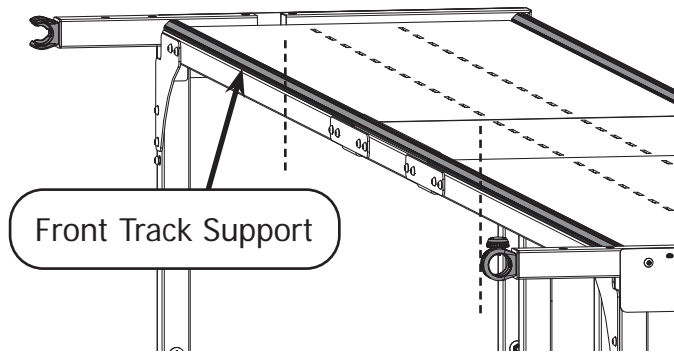


- 8 Loosely connect the **track supports** to the frame with the 4 mm Allen wrench and the twenty **M6 x 10 mm connector bolts** removed in "Step 2 - Building the Frame Table" on page 11.

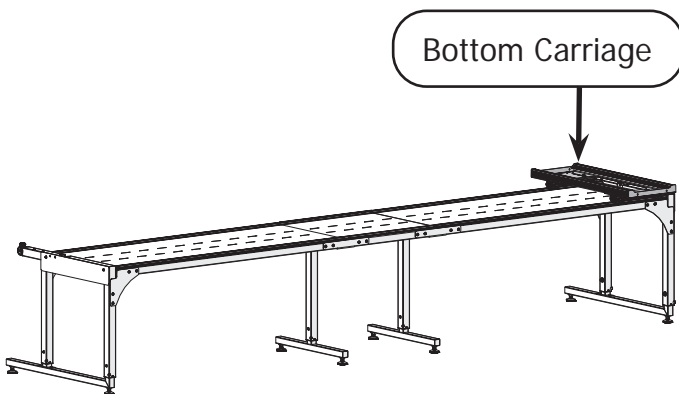


Installing the Tracks (Continued)

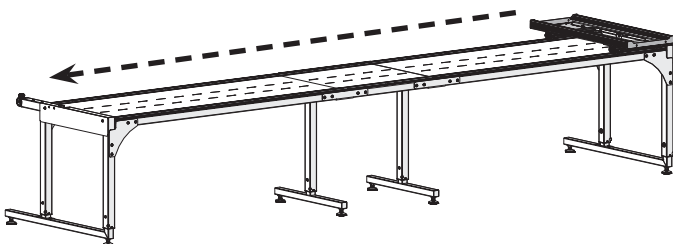
- 9 Line up the **front track support** as close to the edge of the frame as possible and tighten the connector bolts.



- 10 Carefully place the bottom carriage onto the frame.



- 11 Slowly slide the carriage from one side of the frame to the other. Tighten each of the connector bolts in the back as the bottom carriage passes over them.

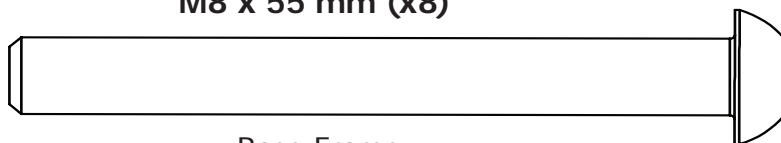


Step 4 - Assembling the Rail Supports

Parts & Tools Needed:

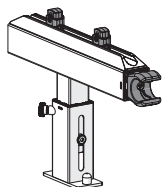
Allen Wrench 5 mm

SBHCS Screw
M8 x 55 mm (x8)



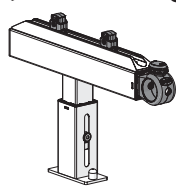
Base Frame

Front Rail Arm
(Non-Ratcheting)



Base Frame

Front Rail Arm
(Ratcheting)



Base Frame

Take-Up Rail Arm
(Non-Ratcheting)



Base Frame

Take-Up Rail Arm
(Ratcheting)



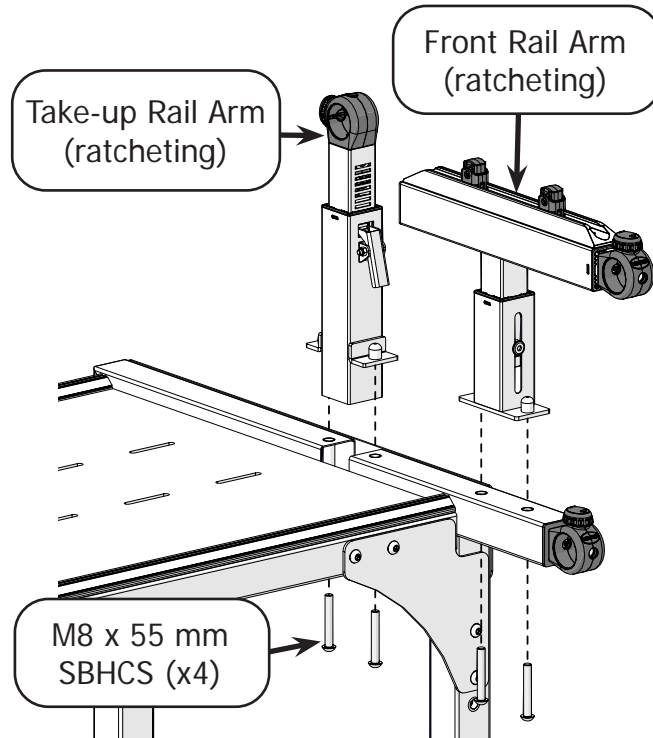
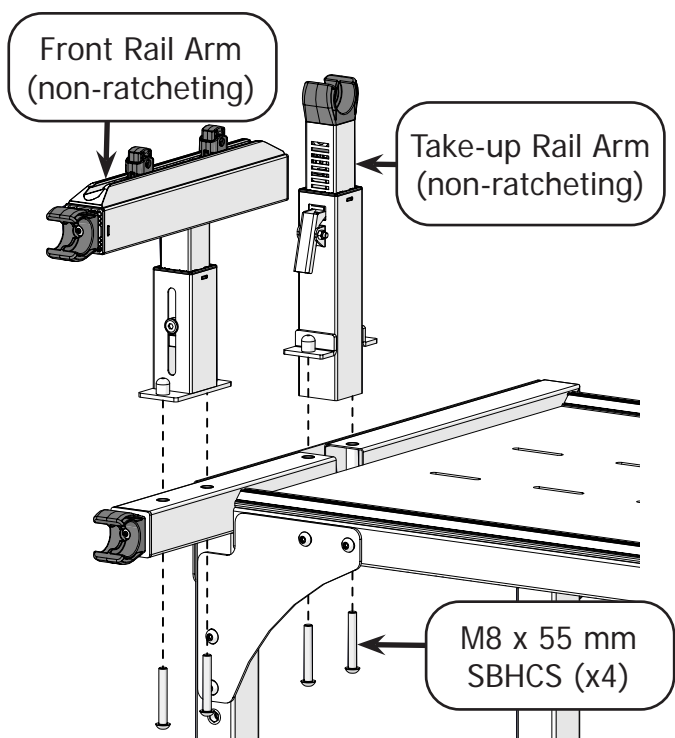
Base Frame

Instructions

The rails hold and position the quilt on the frame.

- 1 Install the **non-ratchet front rail arm** and **take-up rail arm** on the left side of the frame using four **M8 x 55 mm SBHCS screws**.

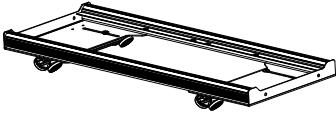
- 2 Install the **ratcheting front rail arm** and **take-up rail arm** on the right side of the frame using four **M8 x 55 mm SBHCS screws**.



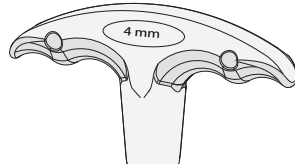
Step 5 - Installing the Bottom Carriage

Parts & Tools Needed:

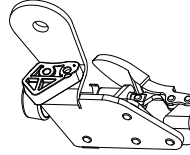
Bottom Carriage



T-Handle Allen Wrench 4 mm

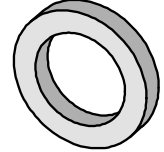


Channel Lock (x1)



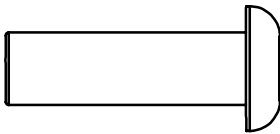
Base Frame

Channel Lock Washer (x1)



Base Frame

SBHCS Screw
M6 x 20 mm (x1)



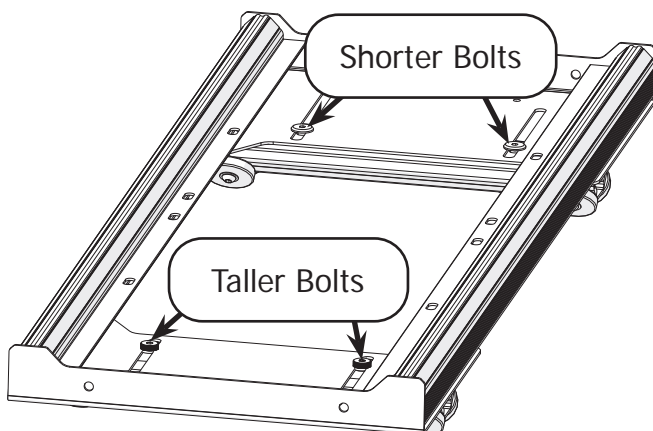
Base Frame

Instructions

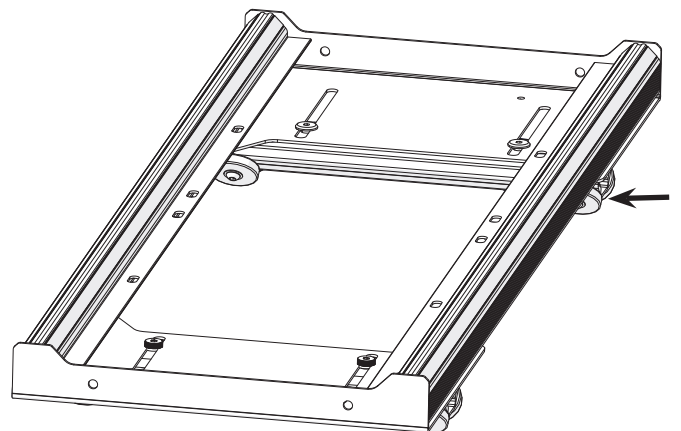
Install a channel lock on the bottom carriage before placing the bottom carriage onto the frame. Channel locks assist with stitching straight lines.

Note: Instructions for using the channel locks can be found on page 75.

- 1 Find the front of the bottom carriage. The bolts at the front of the carriage have **taller** heads.



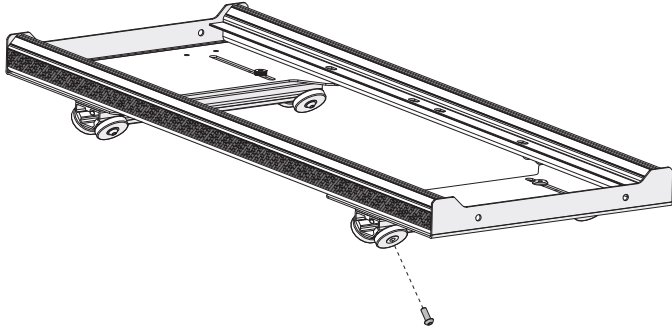
- 2 Locate the right-rear bottom carriage wheels.



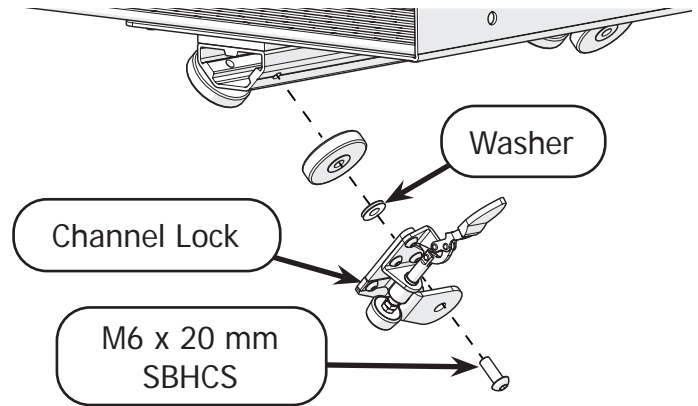
Extended Frame Assembly

Installing the Bottom Carriage (Continued)

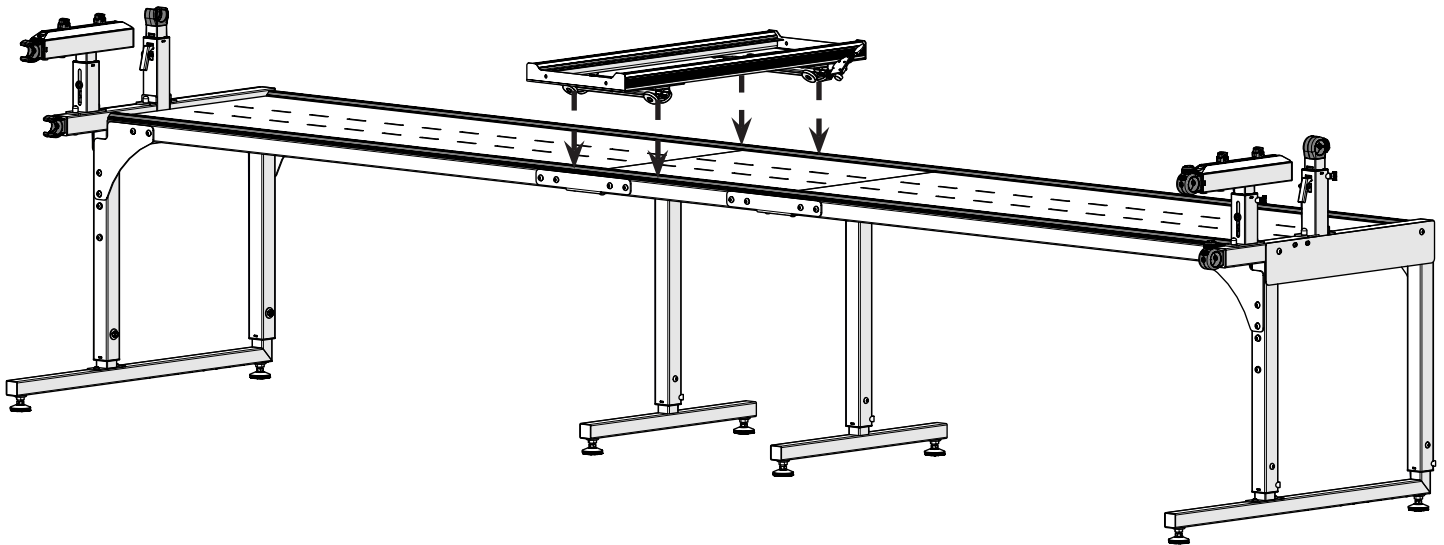
- 3 Remove the screw attaching the outside, right-rear wheel to the bottom carriage using the 4 mm Allen wrench.



- 4 Screw the **channel lock** and **washer** onto the right-rear bottom carriage wheel with an **M6 x 20 mm SBHCS** and 4 mm Allen wrench.



- 5 With the channel lock in the open position, place the bottom carriage onto the frame so the wheels slide over the frame track. The channel lock should be positioned on the rear track.



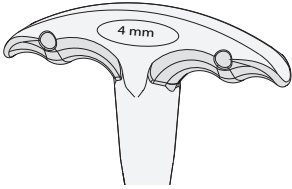
- 6 **STOP HERE** if you are using a top plate and home sewing machine. Please follow the instructions in your top plate manual. When finished, skip to "Step 7 - Leveling the Frame" on page 25. If you are using a quilting machine, continue on to "Step 6 - Installing the Quilting Machine" on page 23.

Step 6 - Installing the Quilting Machine

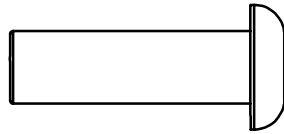
If using a **top carriage** and **home sewing machine**, please follow the instructions in your top carriage manual and then go to page 25.

Parts & Tools Needed:

T-Handle Allen Wrench 4 mm

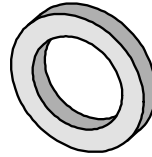


SBHCS Screw M6 x 20 mm (x1)



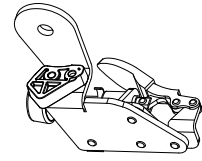
Base Frame

Channel Lock Washer (x1)



Base Frame

Channel Lock (x1)

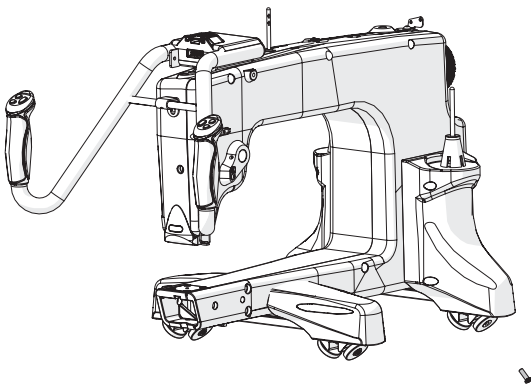


Base Frame

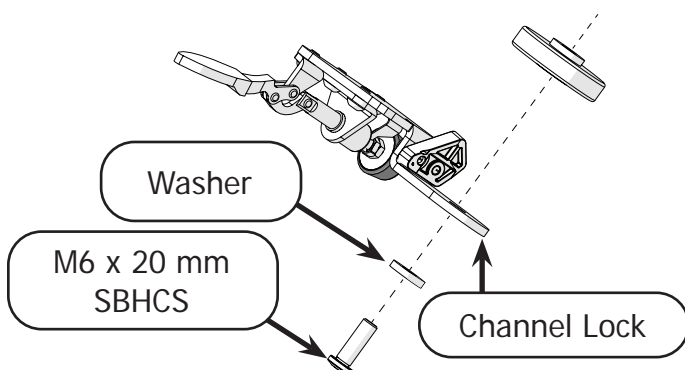
Instructions

A channel lock should be installed on your quilting machine or top carriage before it is placed on the frame. The channel locks assist with quilting straight, even lines.

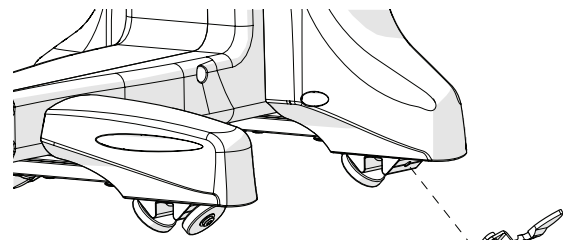
- 1 Remove the rear wheel on the right side of your quilting machine or top carriage with the 4 mm Allen wrench.



- 2 Place the **washer**, **channel lock** and machine wheel onto the **M6 x 20 mm SBHCS screw**.



- 3 Use the 4 mm Allen wrench to screw the **M6 x 20 mm SBHCS** into the machine.



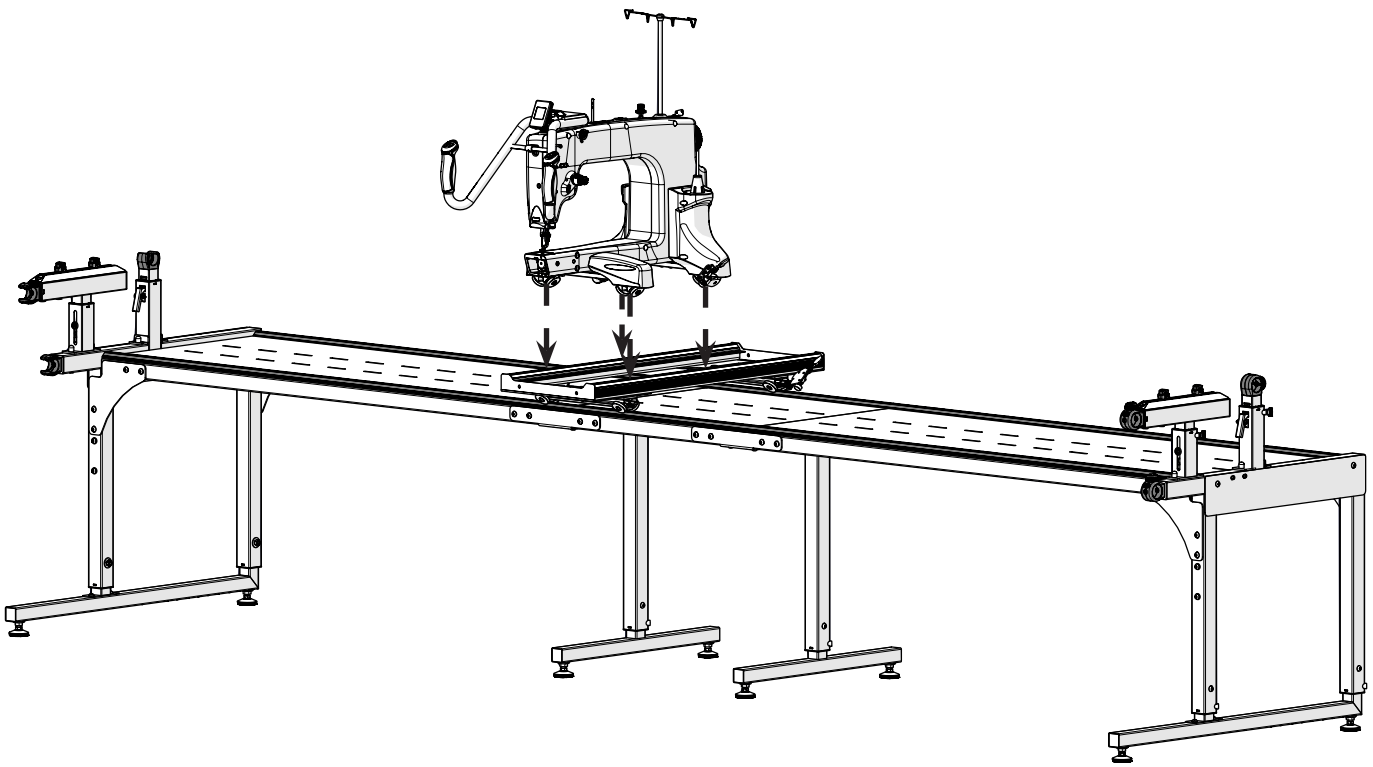
M6 x 20 mm SBHCS

- 4 **STOP HERE.** Follow the instructions in your machine manual to fully assemble the machine. Continue with frame instructions only after machine is completed.

Extended Frame Assembly

Installing the Quilting Machine (Continued)

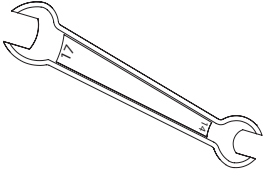
- 5 With the channel lock in the open position, carefully place machine onto the bottom carriage, if not already done.



Step 7 - Leveling the Frame

Parts & Tools Needed:

Open-End Wrench
14 mm & 17 mm

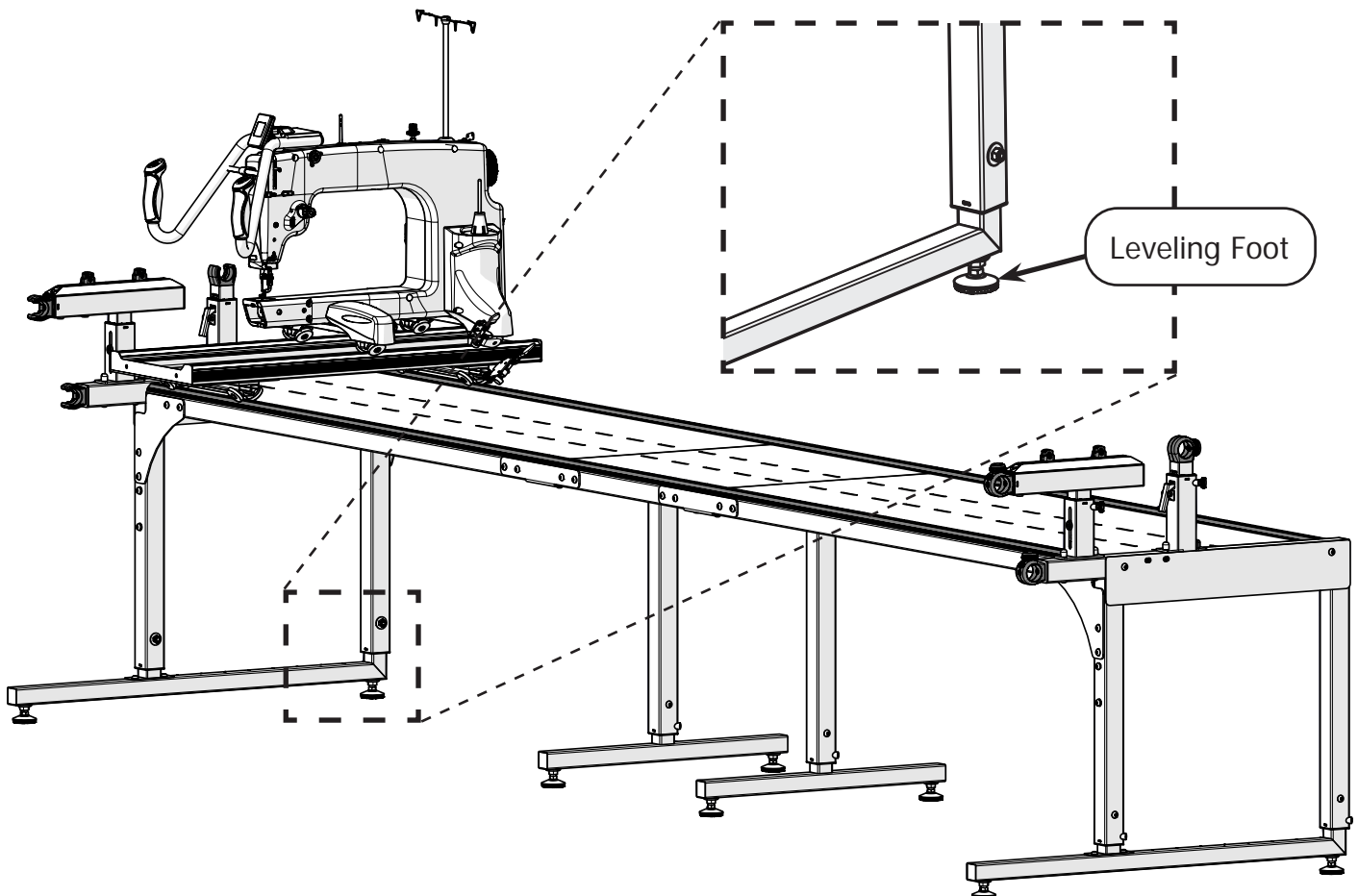


Base Frame

Instructions

Leveling the frame ensures the machine doesn't drift or pull to one side when stitching.

- 1 Move the machine and bottom carriage to one corner of the frame, and release. If the machine rolls away from the corner, use the 17 mm open-end wrench to adjust the **leveling foot** at the bottom of the leg.

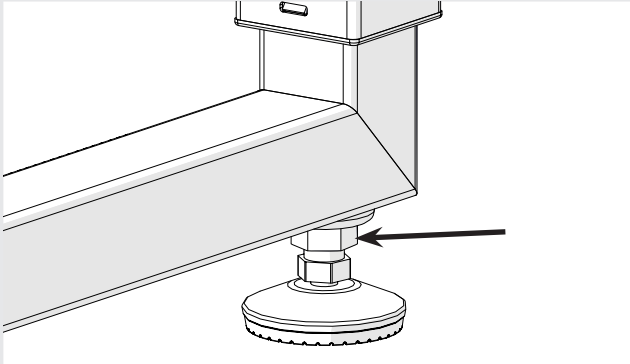


Extended Frame Assembly

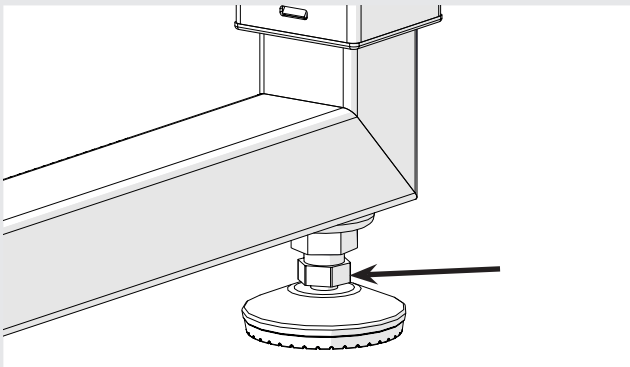
Leveling the Frame (Continued)

Leveling Foot Adjustment

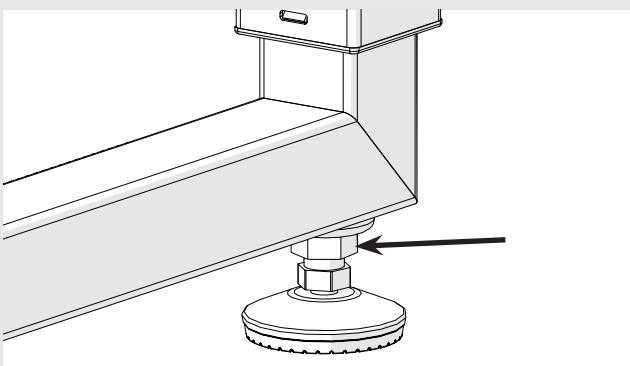
- a Loosen the top nut on the leveling foot with the 17 mm open-end wrench.



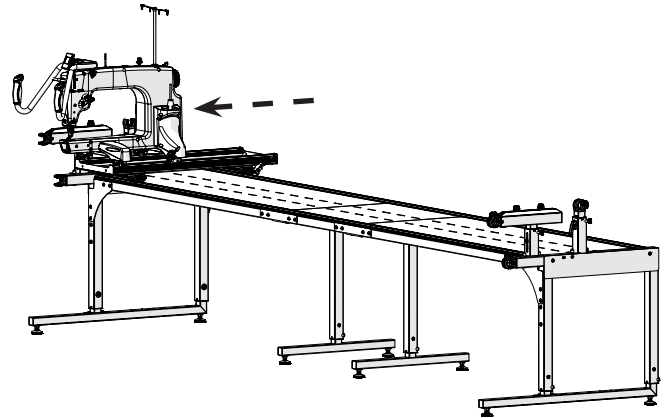
- b Turn the bottom nut with the 14 mm open-end wrench until the desired height is set.



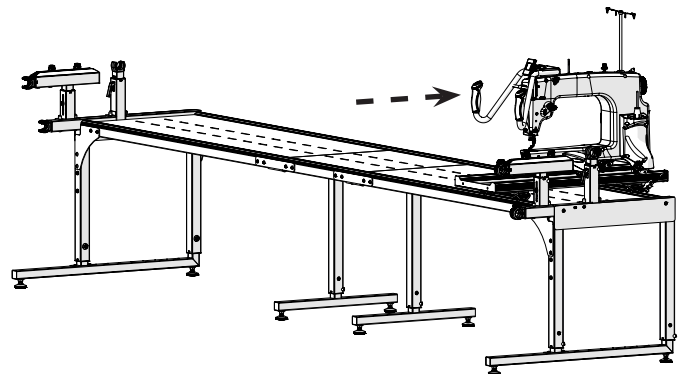
- c Tighten the top nut until it is firm against the frame leg with the 17 mm open-end wrench.



- 2 Test the next corner of the frame, and adjust the leveling foot underneath if needed.



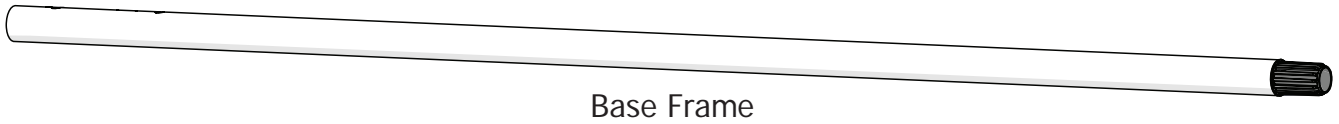
- 3 Test the middle of the frame next, and then the other two corners.



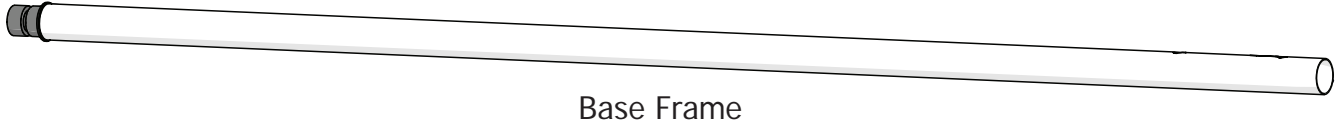
Step 8 - Installing the Rails

Parts & Tools Needed:

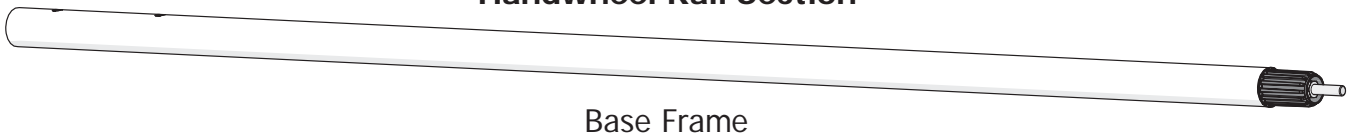
Ratchet Rail Section (x2)



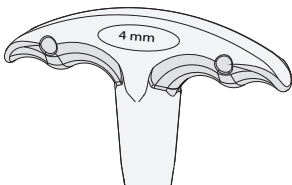
Non-ratchet Rail Section (x3)



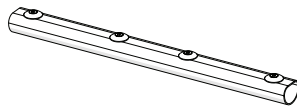
Handwheel Rail Section



T-Handle Allen Wrench 4 mm

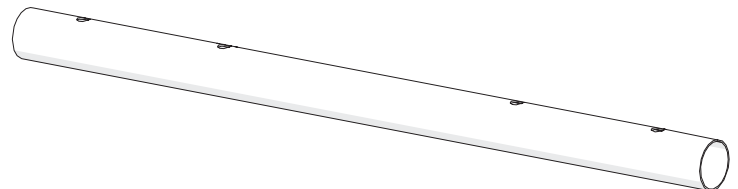


Rail Coupler (x6)



Base Frame & Extension Box

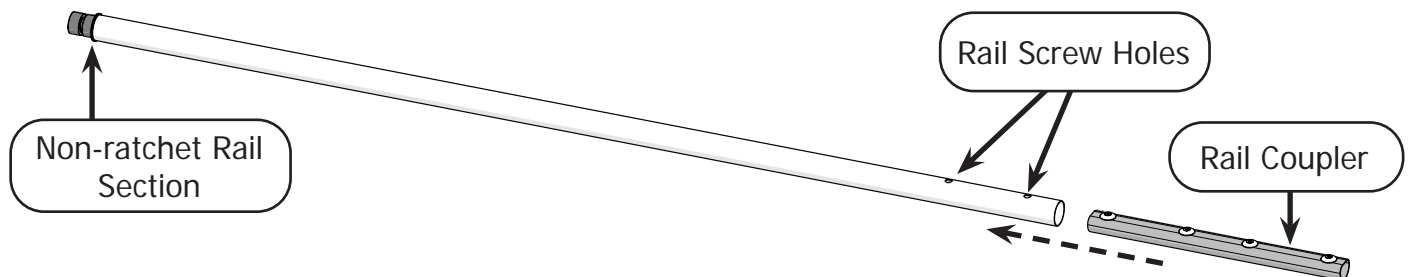
2 ft Rail Sections (x3)



Instructions

The rails hold and position the quilt on the frame.

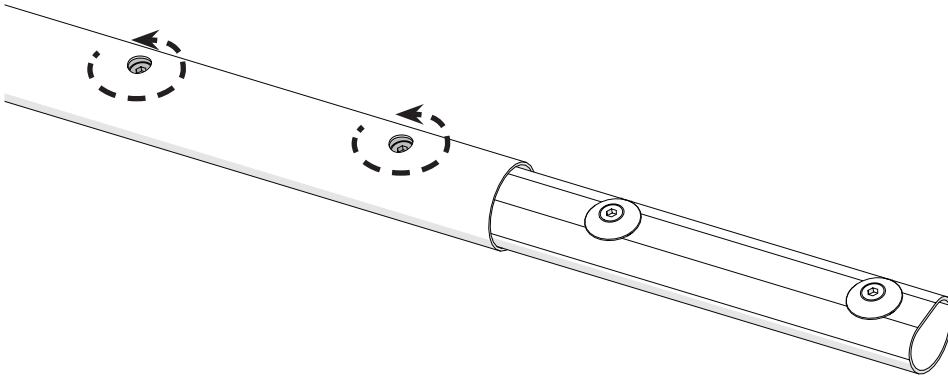
- 1 Slide a **rail coupler** into one of the **non-ratchet rail sections**. Line up the screws on the coupler with the **holes** on the rail.



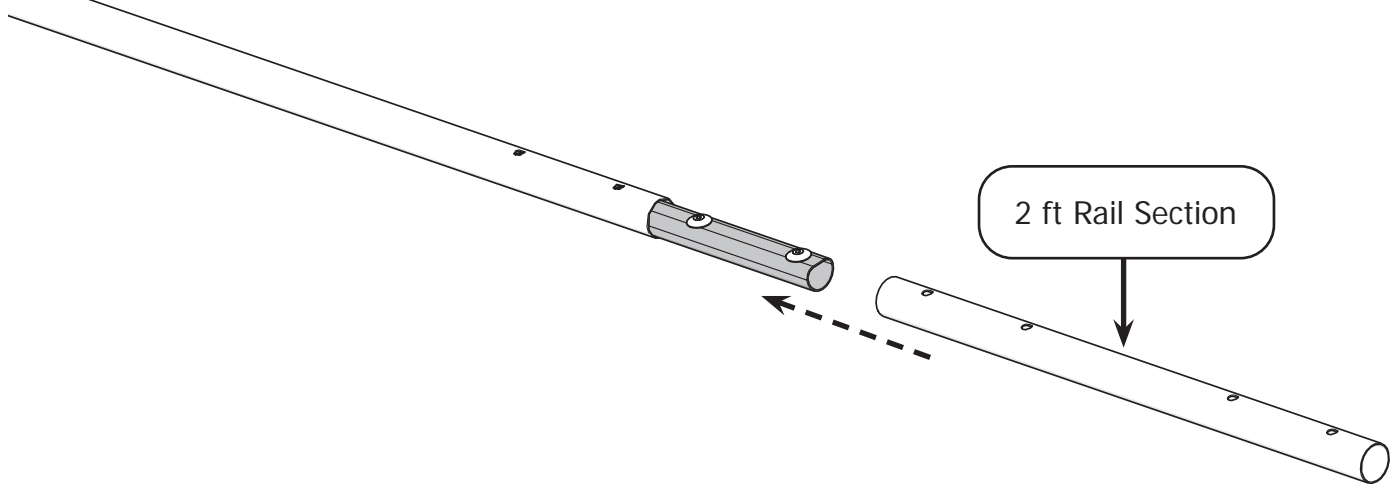
Extended Frame Assembly

Installing the Rails (Continued)

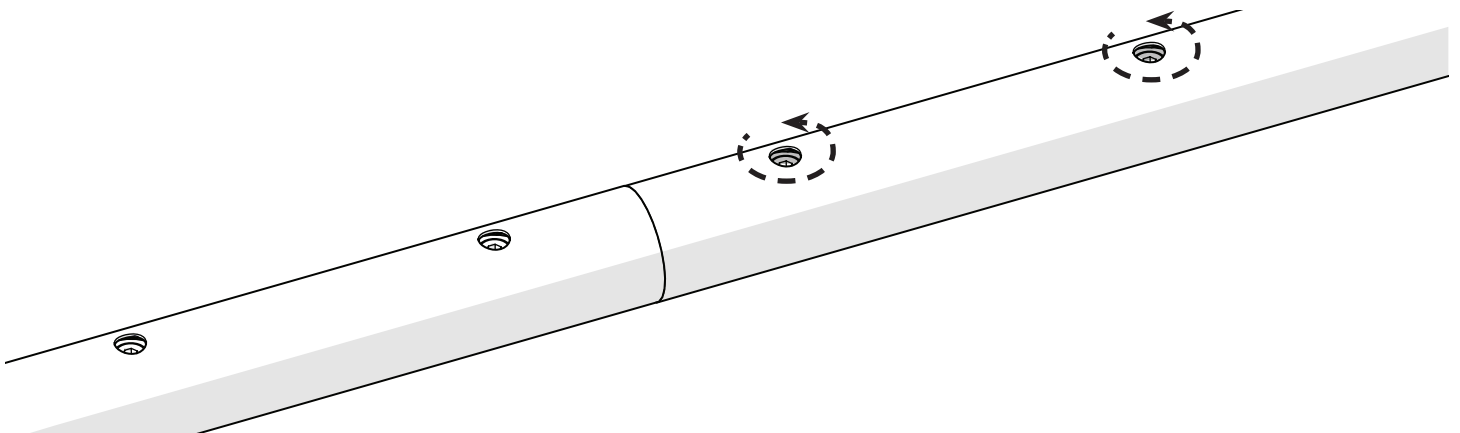
- 2 Use the 4 mm Allen wrench to loosen (turn counter-clockwise) the coupler screws inside the rail until they press firmly against the rail.



- 3 Slide one of the **2 ft rail sections** onto the other side of the rail coupler.

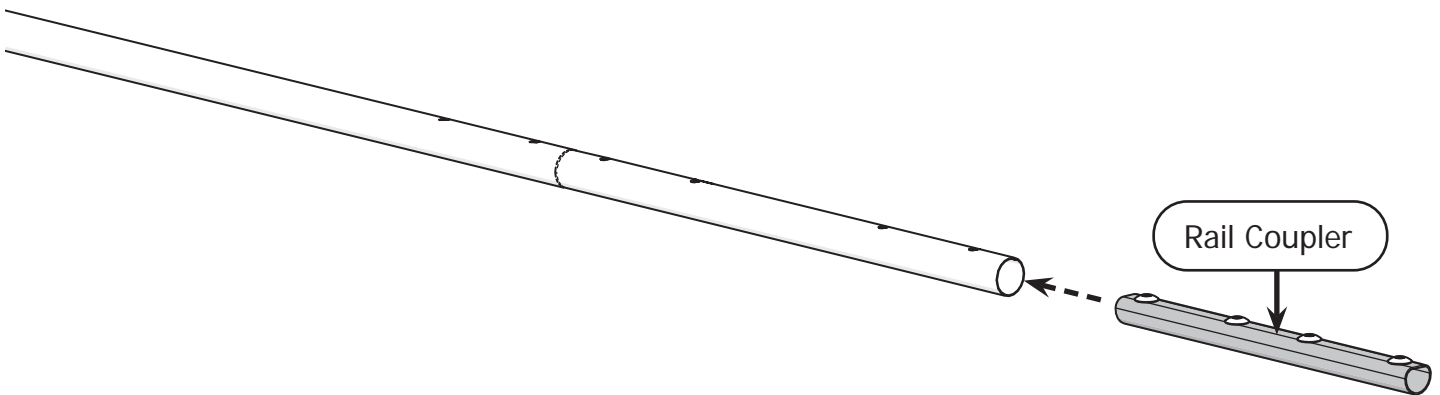


- 4 Line up the coupler screws with the holes in the rail and loosen them with the 4 mm Allen wrench until they press firmly against the inside of the rail.

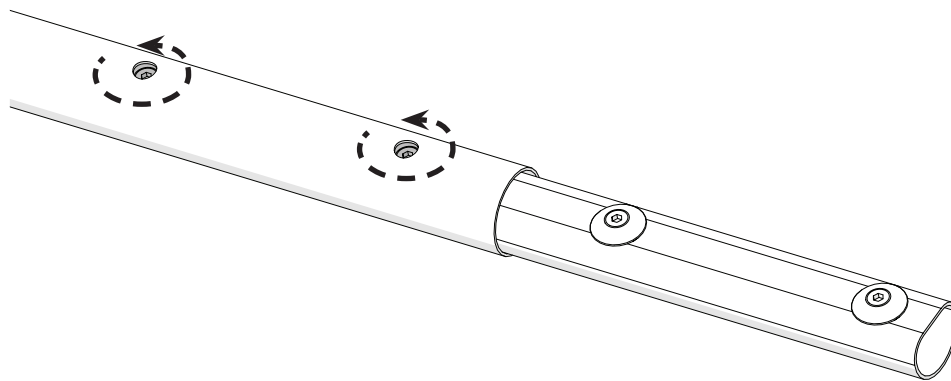


Installing the Rails (Continued)

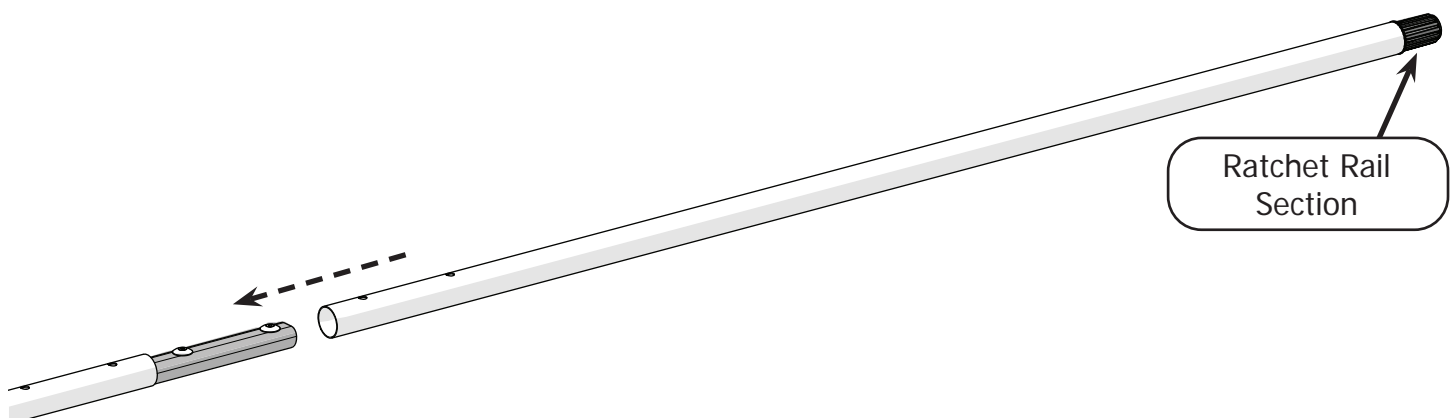
- 5 Now insert a second **coupler** into the 2 ft rail section.



- 6 Once again, loosen the screws with the 4 mm Allen wrench until the rail and coupler are snug.



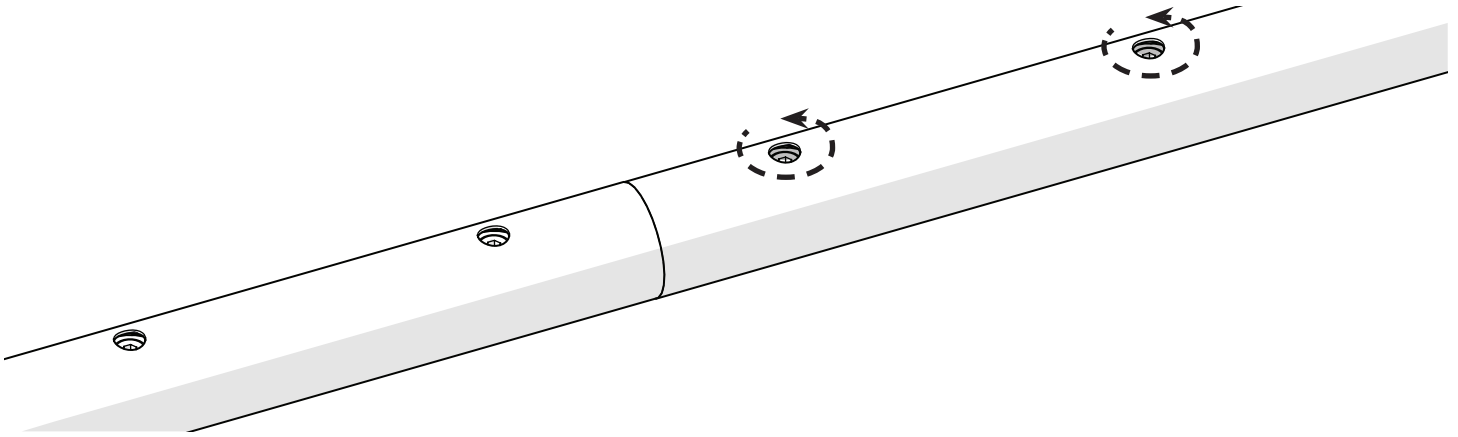
- 7 Slide one of the **ratcheting rail sections** onto the other side of the rail coupler.



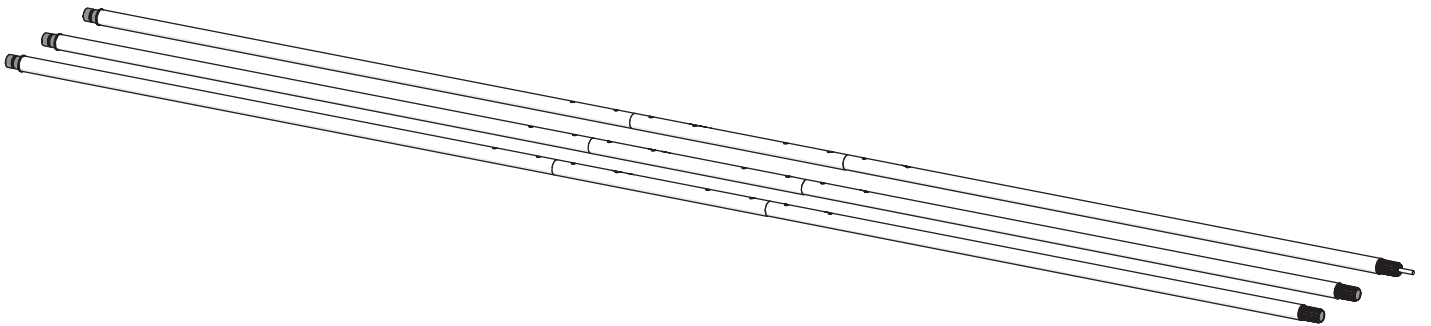
Extended Frame Assembly

Installing the Rails (Continued)

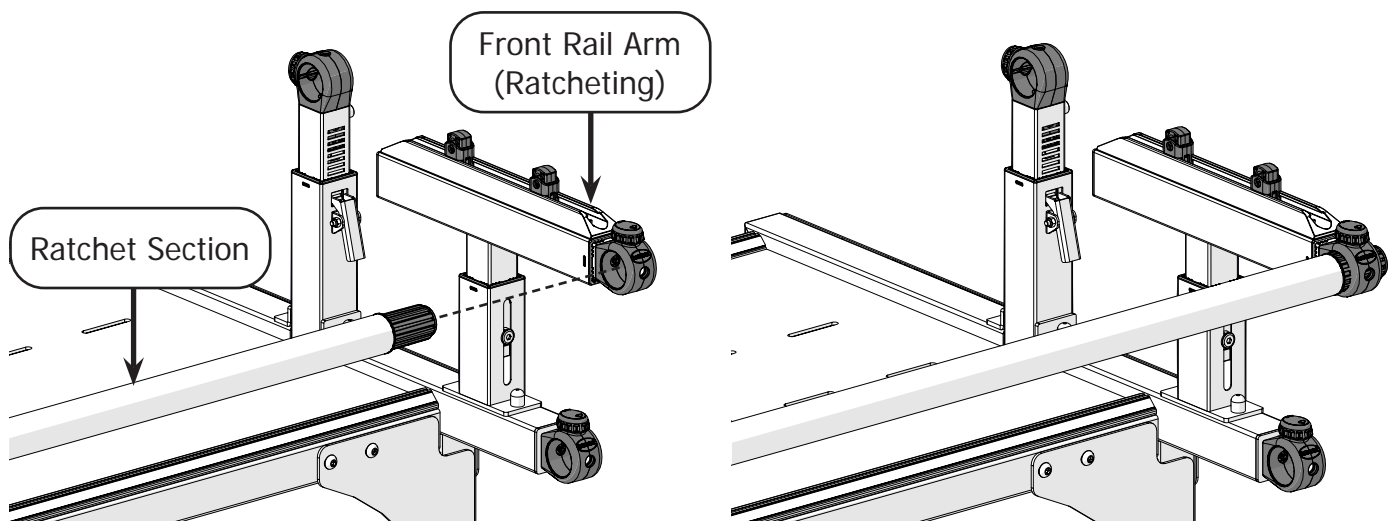
- 8 Line the coupler screws with the holes in the rail and loosen them with the 4 mm Allen wrench until they press firmly against the inside of the rail.



- 9 Repeat steps 1-8 with the remaining rails. One rail will be completed with the handwheel rail section in place of the ratcheting rail section.

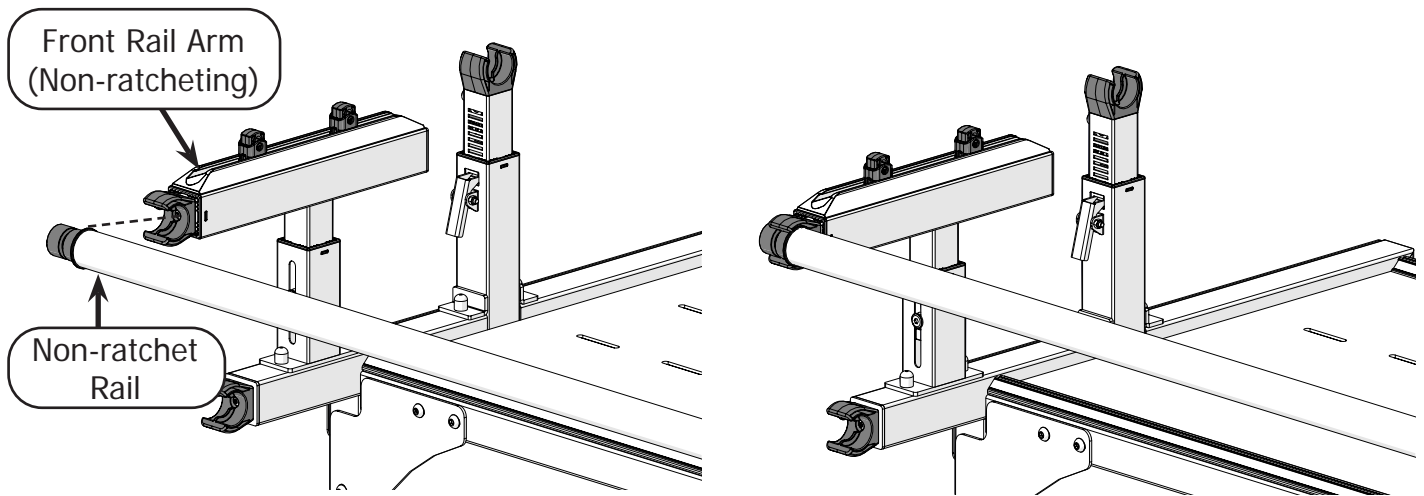


- 10 Insert the **ratchet section** end of one of the rails into the **front rail arm (ratcheting side)**.

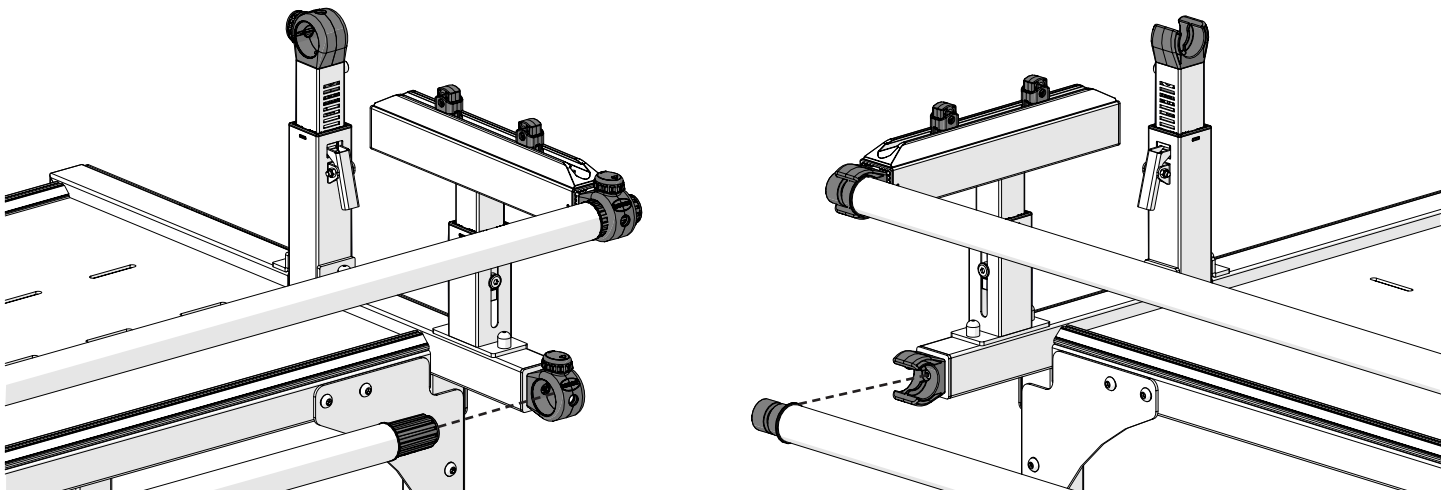


Installing the Rails (Continued)

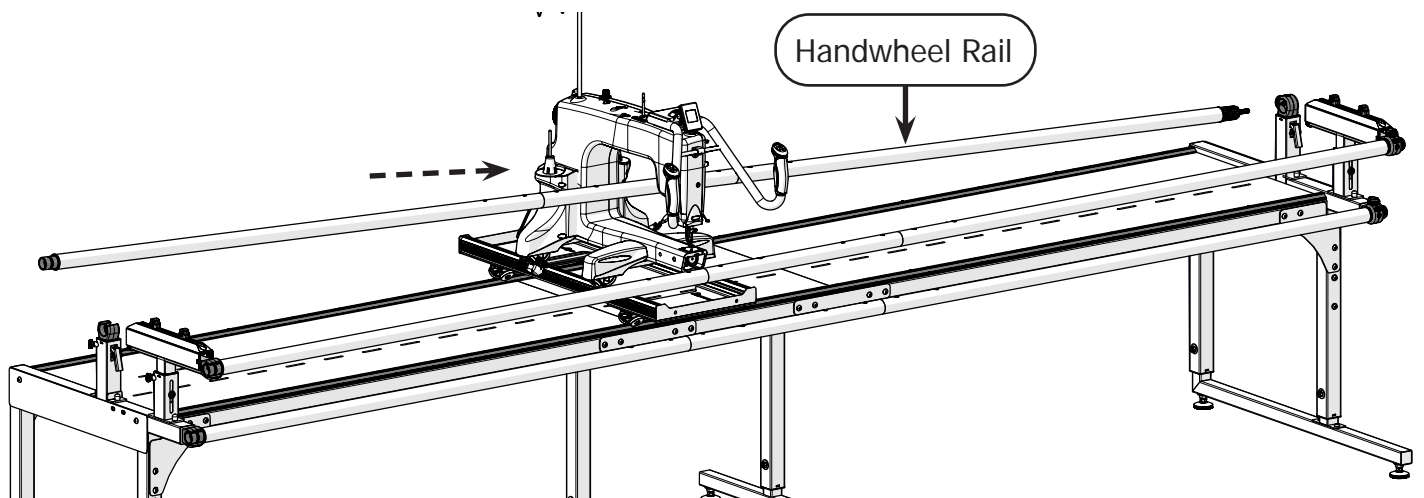
- 11 Press the other end of the rail into the **front rail arm (non-ratcheting side)**.



- 12 Repeat steps 10-11 for the bottom rail.



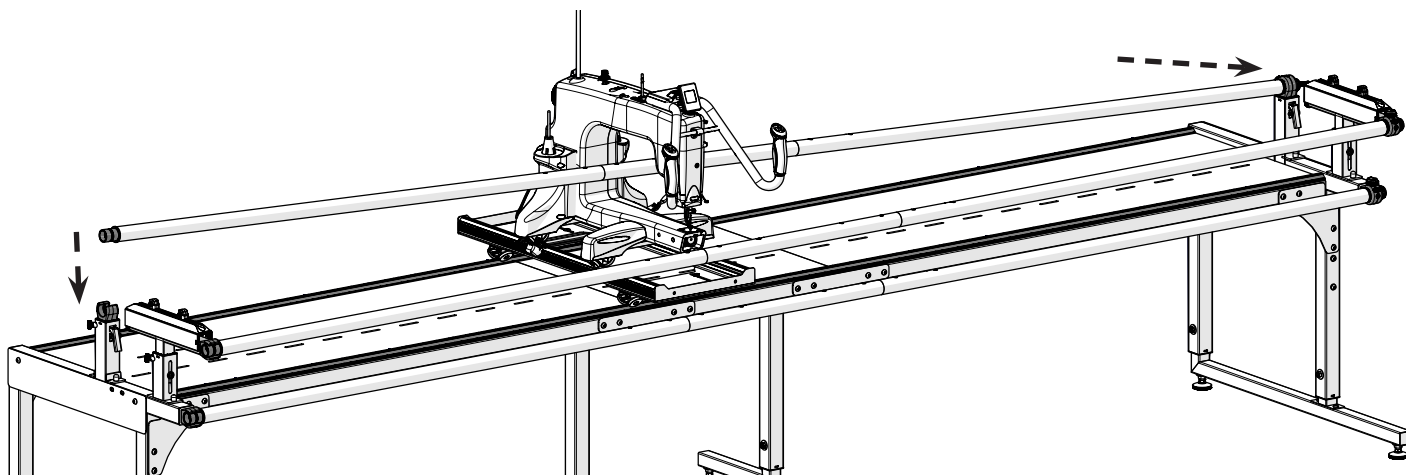
- 13 Insert the **handwheel rail** through the throat of the machine.



Extended Frame Assembly

Installing the Rails (Continued)

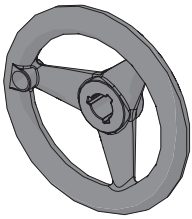
- 14 Place the ratcheting side of the rail into the ratcheting take-up rail arm, and then press the non-ratcheting side into the non-ratcheting take-up rail arm.



Step 9 - Assembling the Handwheel

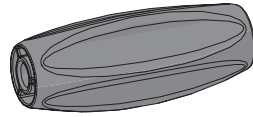
Parts & Tools Needed:

Handwheel



Base Frame

Handwheel Knob



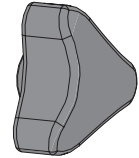
Base Frame

Allen Wrench 6 mm



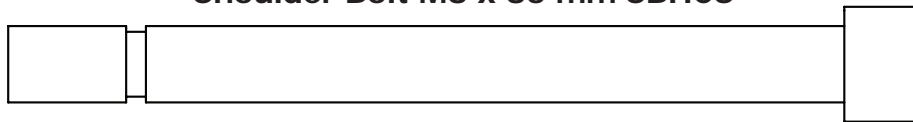
Base Frame

Three-Armed Handwheel Knob



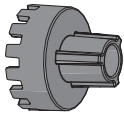
Base Frame

Shoulder Bolt M8 x 85 mm SBHCS



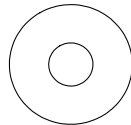
Base Frame

Handwheel Coupler



Base Frame

M10 Washer

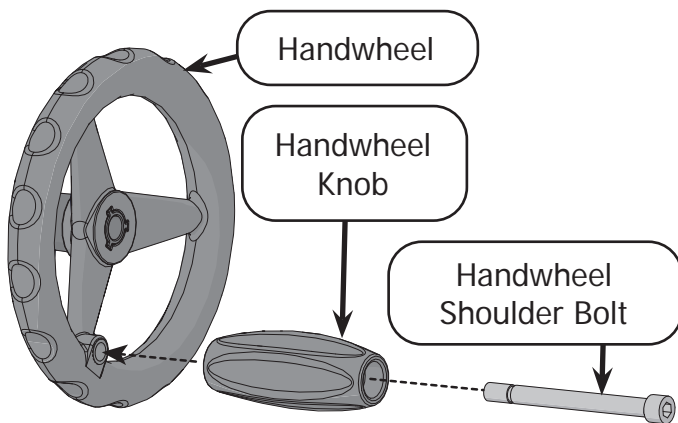


Base Frame

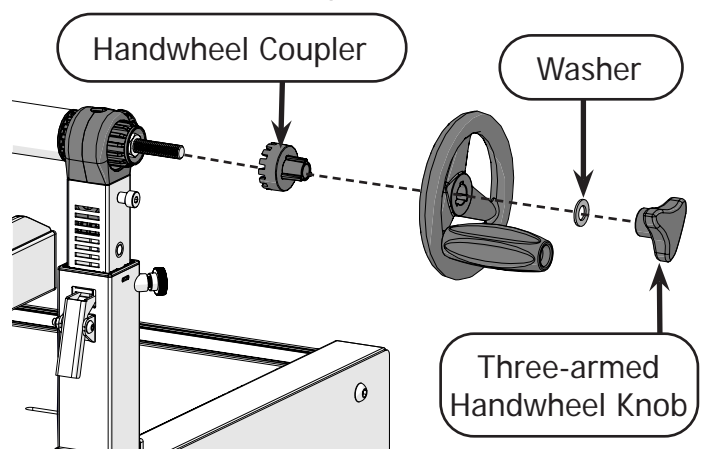
Instructions

The handwheel allows you to conveniently roll the quilt up as you go.

- 1 Use the **handwheel shoulder bolt** and 6 mm Allen wrench to attach the **handwheel knob** to the **handwheel**.



- 2 Screw the **handwheel coupler**, handwheel, **washer**, and **three-armed handwheel knob** to the take-up rail.



Extended Frame Assembly

Step 10 - Installing the Bungee Clamps

Parts & Tools Needed:

Bungee Clamp (x4)

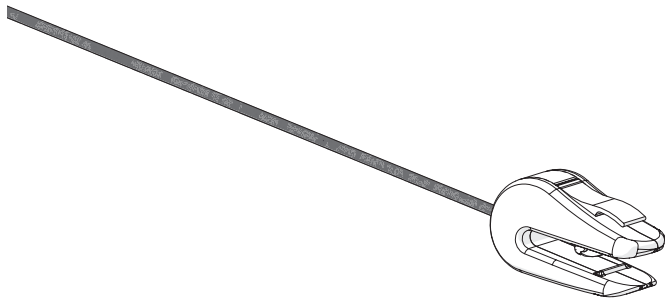
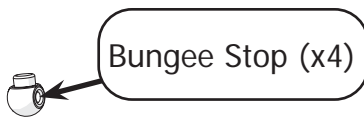


Base Frame

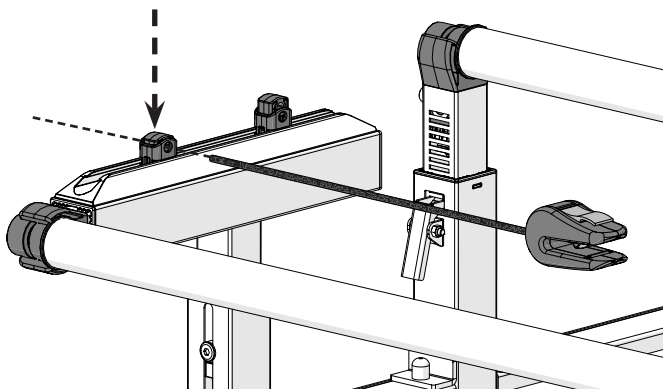
Instructions

The bungee clamps hold the edges of the quilt up and provide additional tension to the quilt surface. Take the following steps:

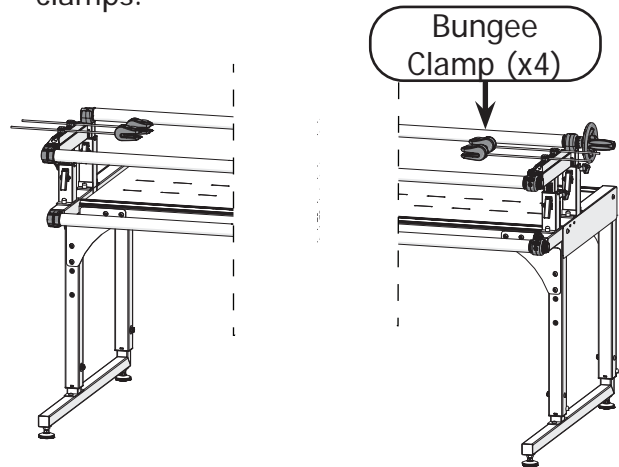
- 1 **Note:** Your bungee clamps may have come with **bungee stops**. These will not be used.



- 2 Press down the bungee stop in the front rail arm and thread the bungee cable through. Release to tighten.



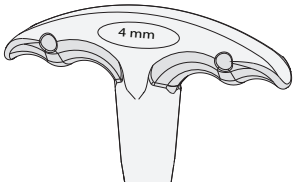
- 3 Repeat step 2 to install all four bungee clamps.



Step 11 - Adjusting the Rails

Parts & Tools Needed:

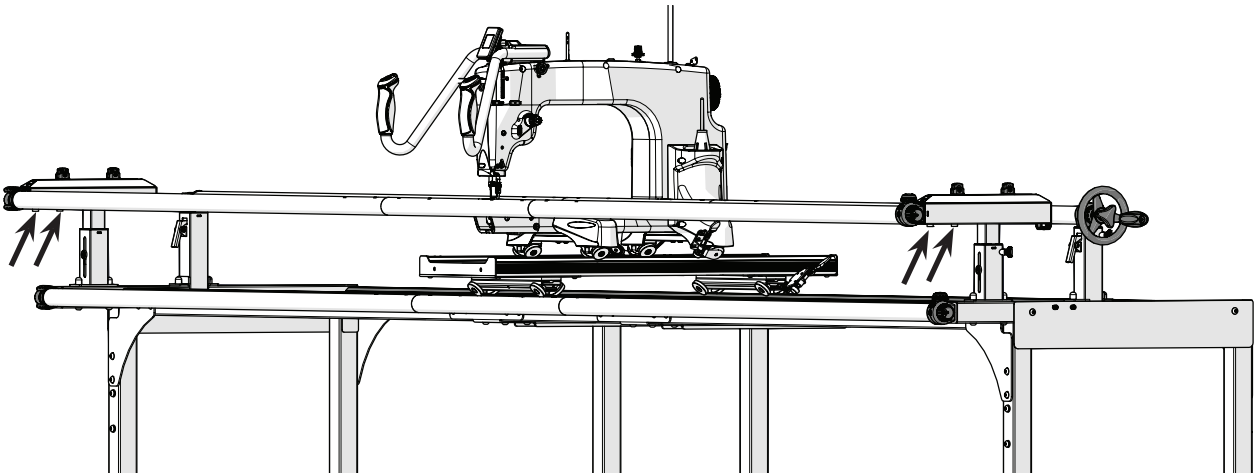
T-Handle Allen
Wrench 4 mm



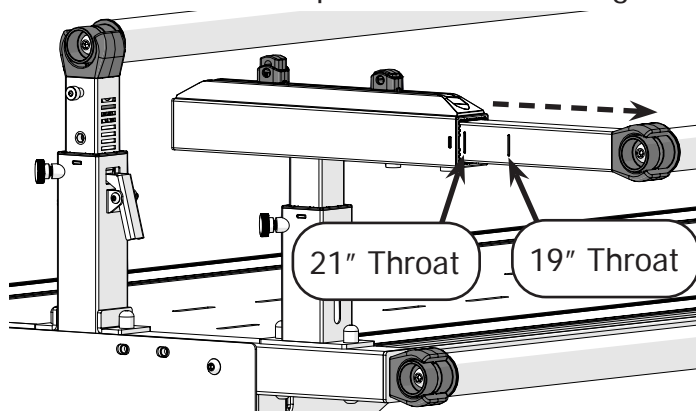
Instructions

The placement of the rails in relation to the machine is crucial for proper quilt alignment and quality sewing. For customers using the idler or batting accessory rails, please refer to the instructions that came with your accessories on how to configure your rails. For the standard setup, please take the following steps:

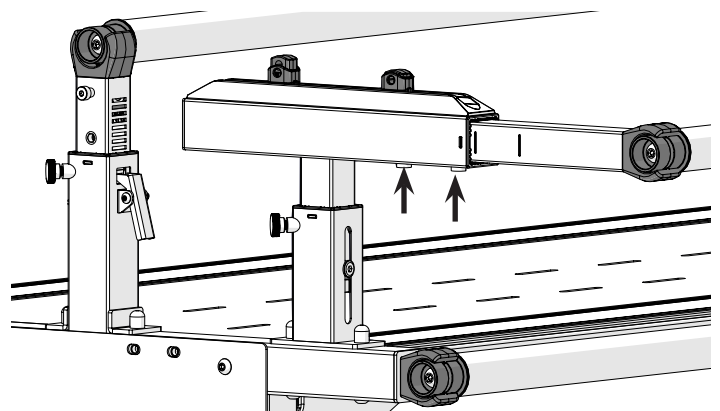
- 1 If the throat of your machine is greater than 15", you will need to extend your front rail. Use the 4 mm Allen wrench to loosen the set screws on both the front rail arms.



- 2 Extend the arm out to the first notch for machines with a throat of up to **19"** in length. Extend to the second notch for machines with up to a **21"** throat length.



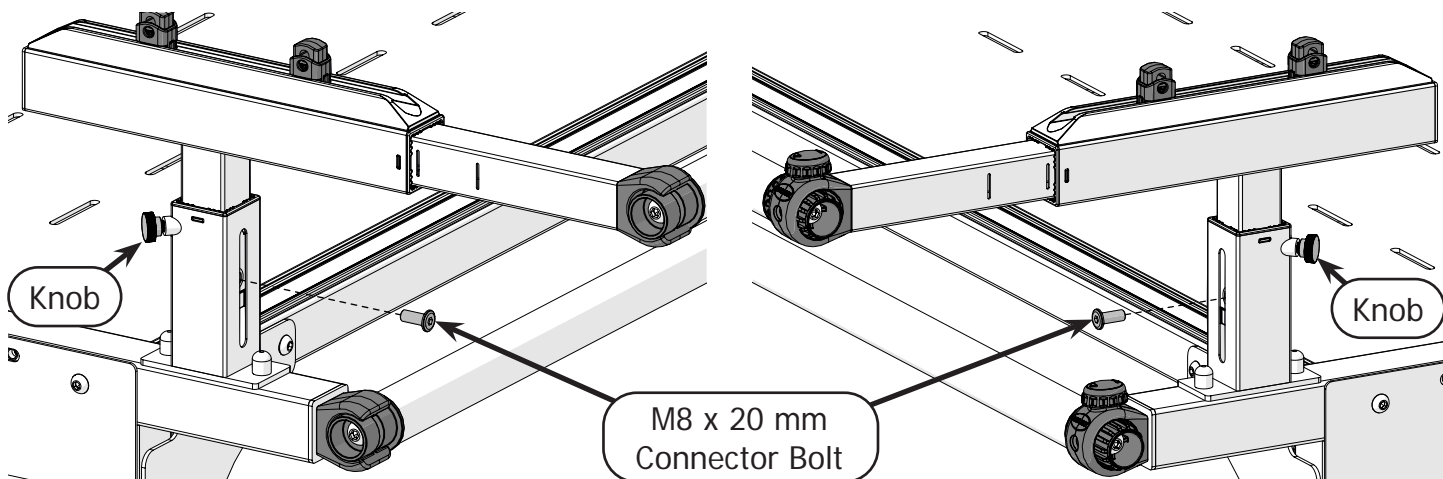
- 3 Re-tighten the set screws with the 4 mm Allen wrench.



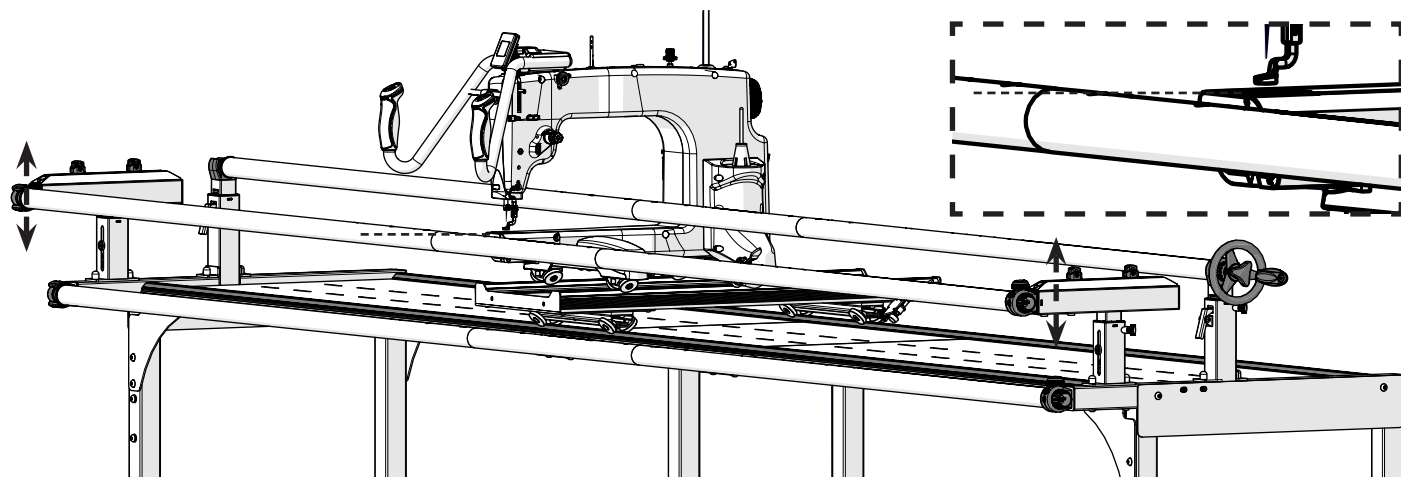
Extended Frame Assembly

Adjusting the Rails (Continued)

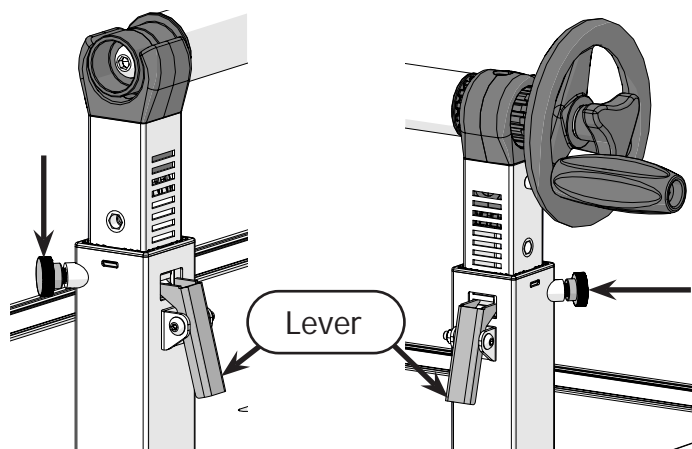
- 4 To set the front rail height, turn the **knobs** on the necks of both front rail arms, and remove the **M8 x 20 mm connector bolts** from the rail arms with the 5 mm Allen wrench.



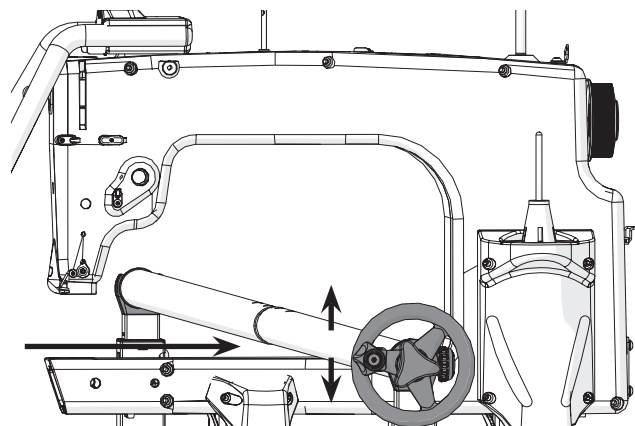
- 5 Set the top of the rail so it is level with the machine's needle plate. When the height is set, re-install the M8 x 20 mm connector bolts and tighten the height knobs on the rail arms.



- 6 Loosen the knobs on both take-up rail arms. Press in on the **levers** to set the rail height.



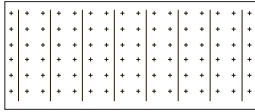
- 7 Set the take-up rail so there is just enough space to slide a finger between it and the machine. Re-tighten the knobs.



Step 12 - Installing the Velcro Tape

Parts & Tools Needed:

136" Leader Cloth Set



Extension Box



Marker (not included)



Tape Measure (not included)

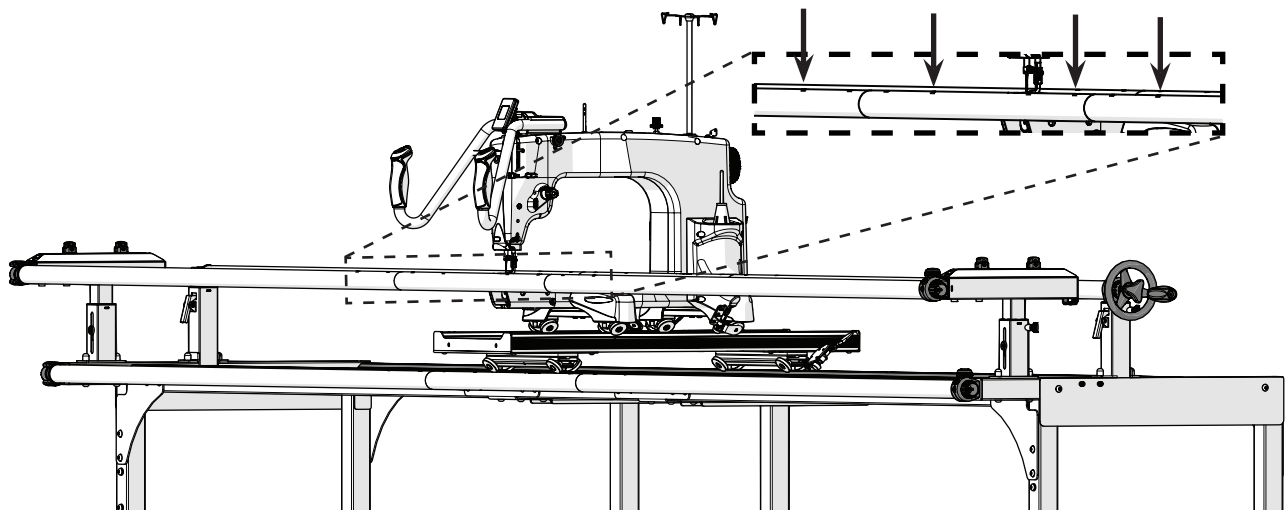


Velcro Tape (x3) (found in leader cloth set)

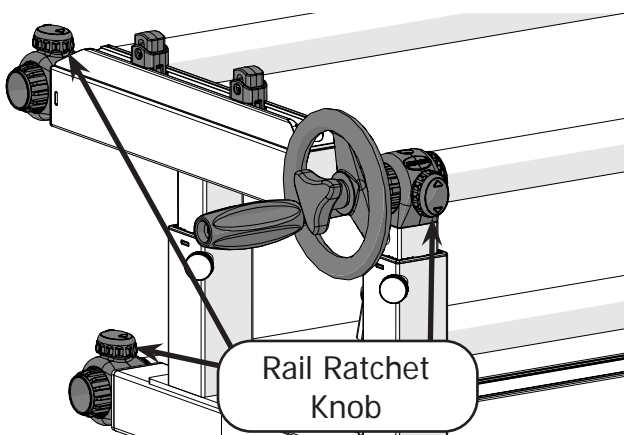
Instructions

Velcro strips are used to attach the leader cloth to your frame. The leader cloths help align the quilt and maximize the area of the quilt surface that the machine will be able to reach.

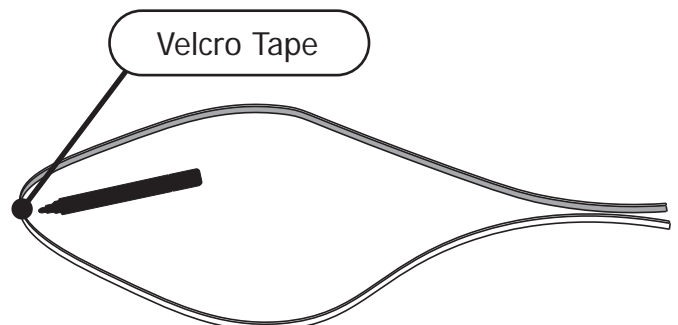
- 1 Turn all three rails so the holes on the rails face up.



- 2 To help keep the rails in place, twist each **rail ratchet knob** to activate the one-way ratchet.



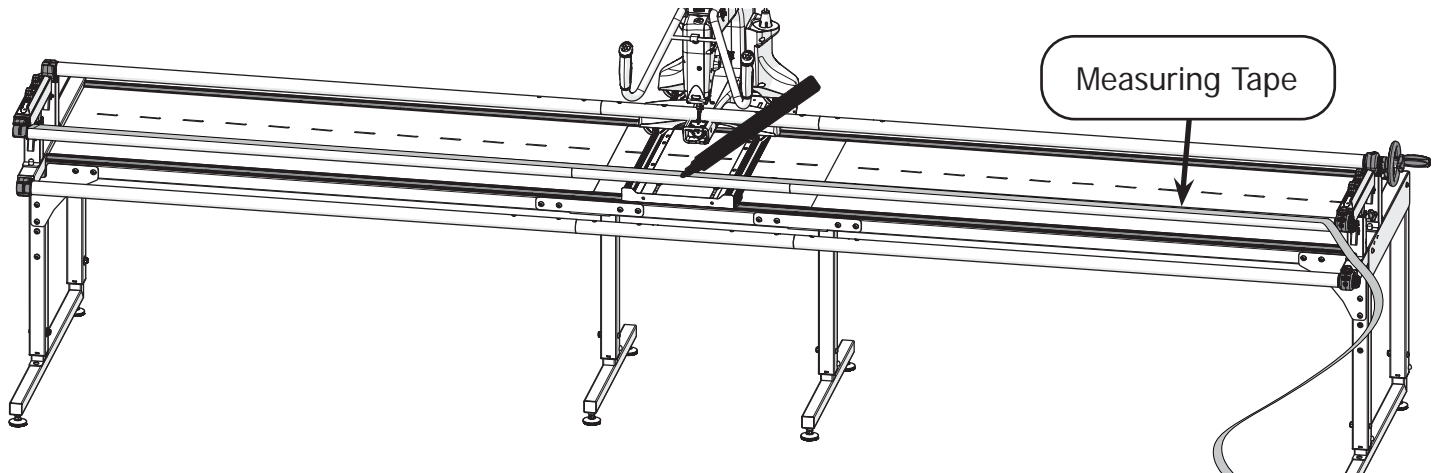
- 3 Fold the **Velcro tape** (found in the leader cloth set) in half to find and mark the center.



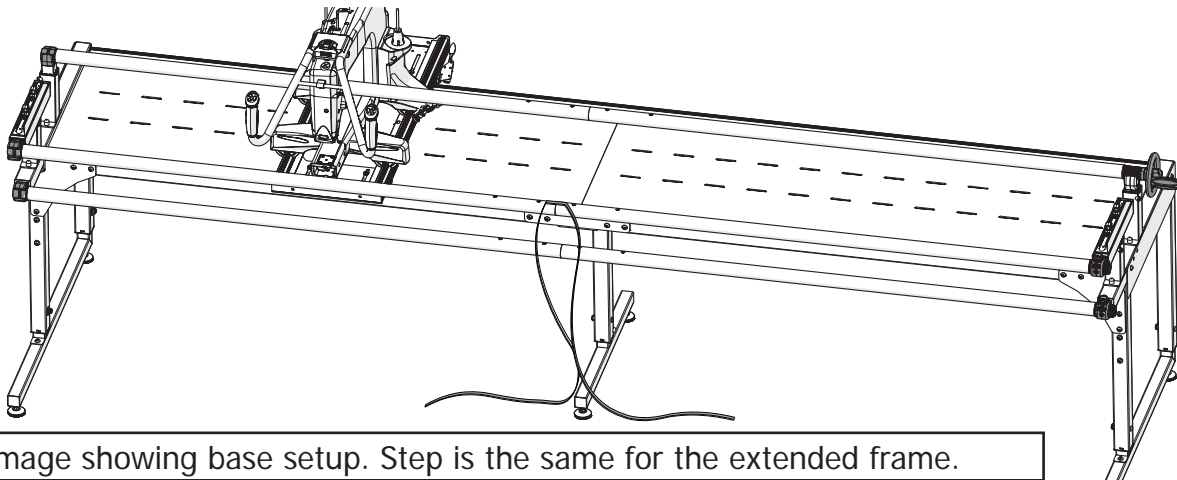
Extended Frame Assembly

Installing the Velcro Tape (Continued)

- 4 On all three rails: Lay a **tape measure** flat across the rail, aligning it with the holes on the top. Find and mark the center point.

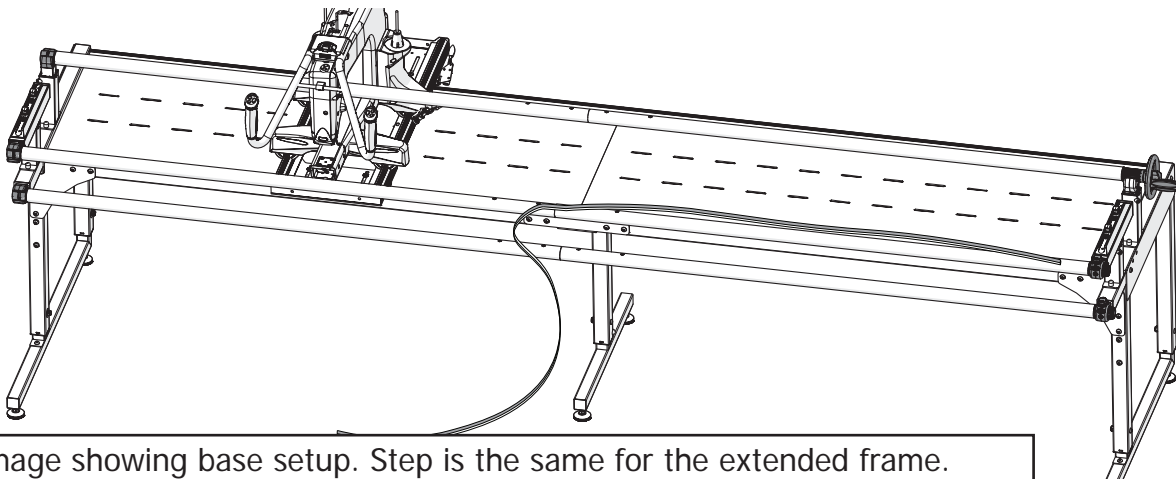


- 5 Remove some of the backing from the center of the tape and attach the tape to center of one of the rails.



Note: Image showing base setup. Step is the same for the extended frame.

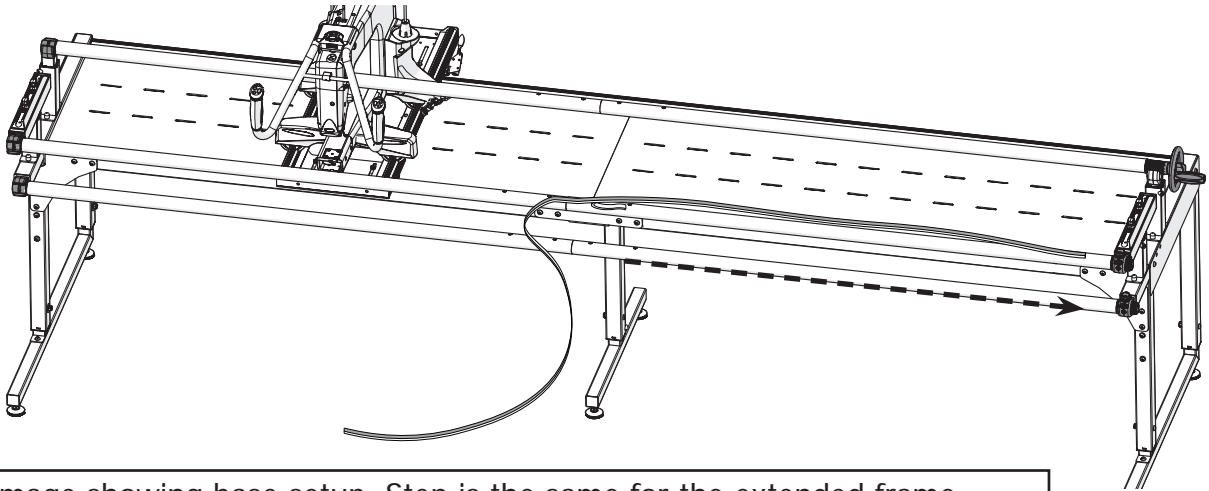
- 6 Peel off some of the backing from the end of the tape. Use the holes on to rail to keep the tape straight, and attach it to the end of the rail.



Note: Image showing base setup. Step is the same for the extended frame.

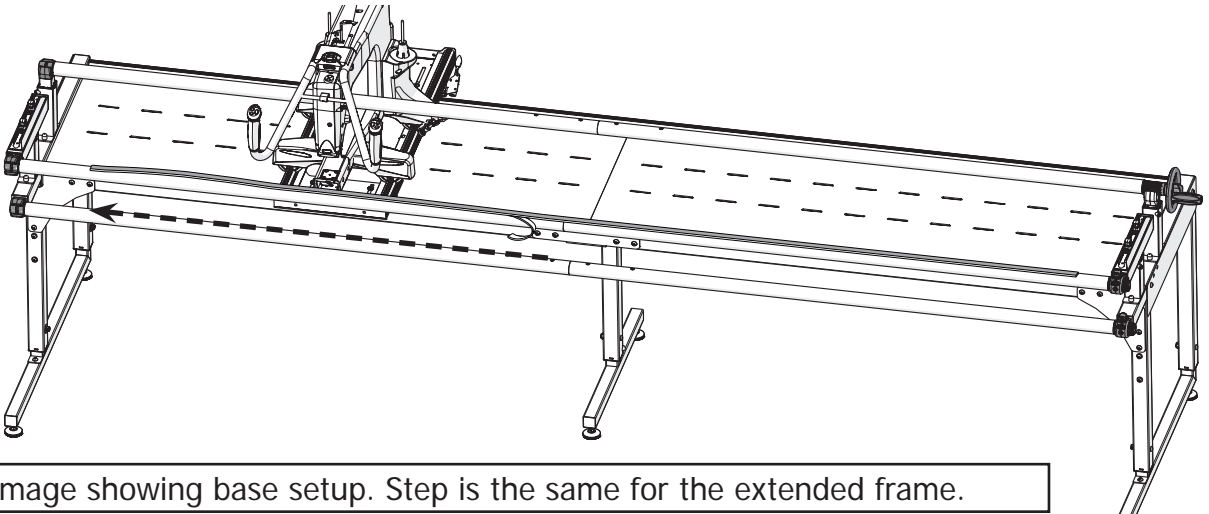
Installing the Velcro Tape (Continued)

- 7 Start from the center and carefully peel away the backing of the tape, flattening as you go.



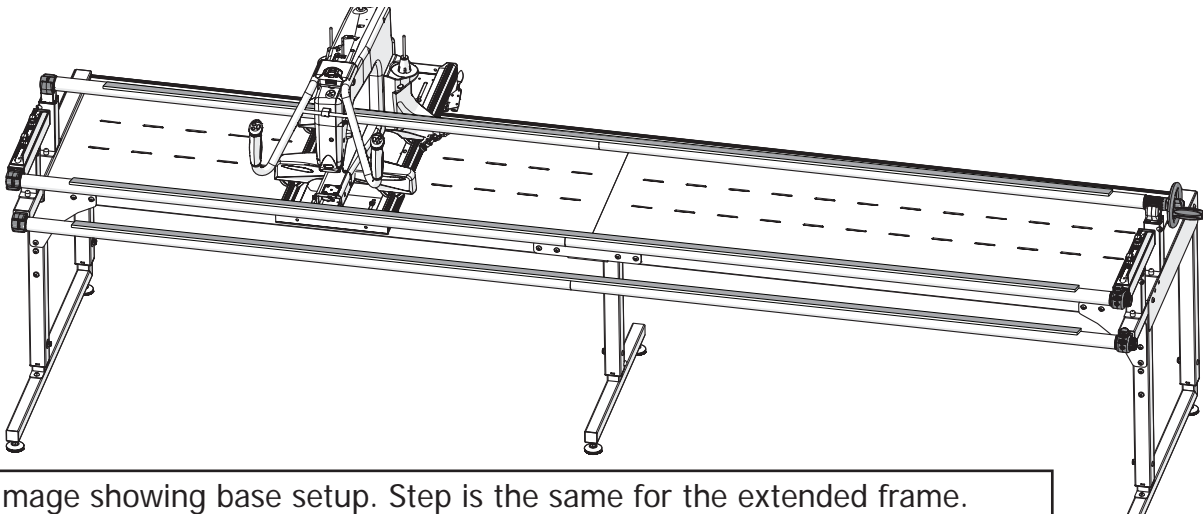
Note: Image showing base setup. Step is the same for the extended frame.

- 8 Now do the same for the other side of the rail.



Note: Image showing base setup. Step is the same for the extended frame.

- 9 Repeat steps 3–8 for the other two rails.



Note: Image showing base setup. Step is the same for the extended frame.

Step 13 - Installing Leader Cloth

Parts & Tools Needed:

136" Leader Cloth Set



Tape Measure (not included)

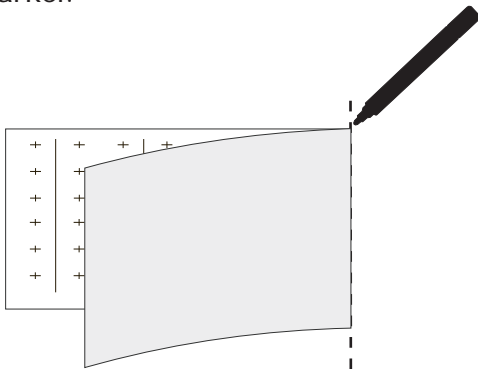


Marker (not included)

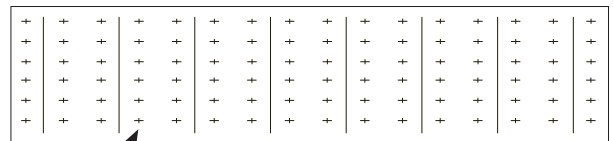
Instructions

The leader cloths attach the quilt to the frame while maximizing the quilt surface that the machine can reach.

- 1 **On all three leader cloths:** Fold each cloth in half and mark the center-mark on the front and back, top and bottom, with a marker.

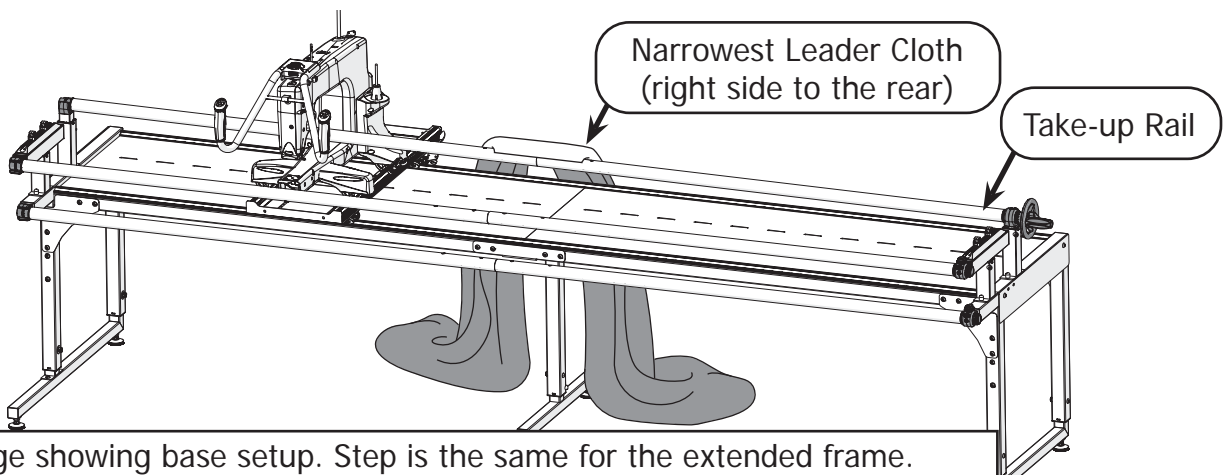


- 2 Locate the **narrowest leader cloth**.



Narrowest Leader Cloth

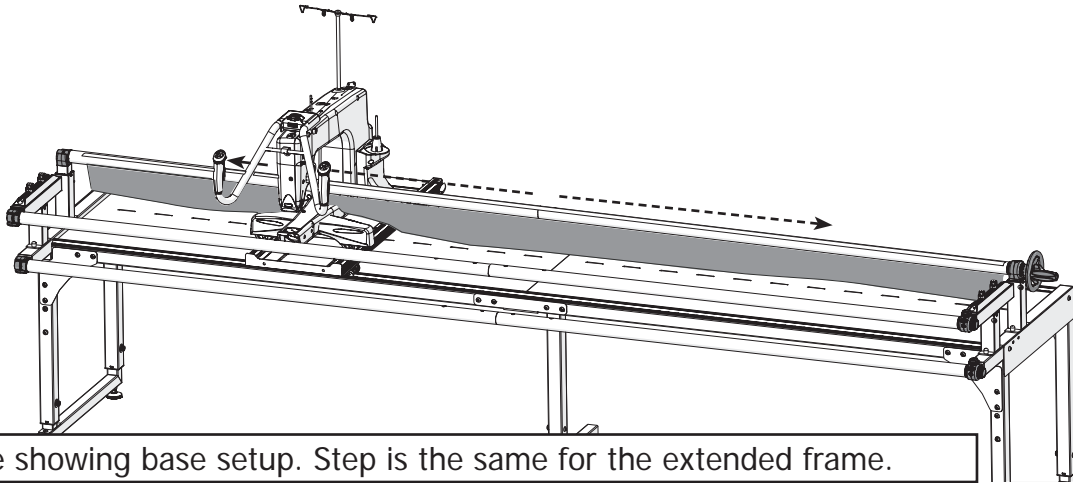
- 3 Place the center of the **narrowest leader cloth** onto the Velcro tape in the center of the **take-up rail**, right side facing away from the frame.



Note: Image showing base setup. Step is the same for the extended frame.

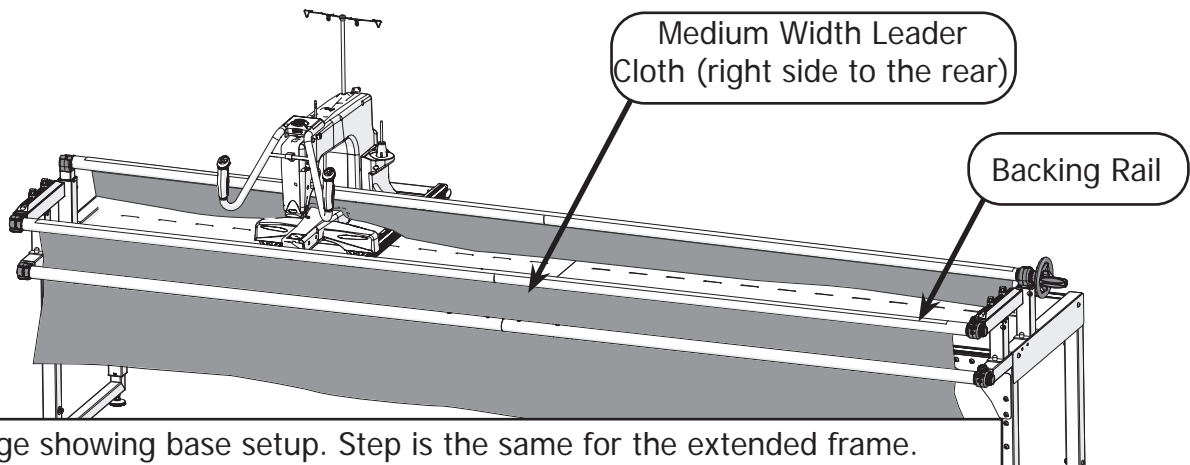
Installing the Leader Cloth (Continued)

- Moving from the center outward, smooth the top edge of the leader cloth across the Velcro.



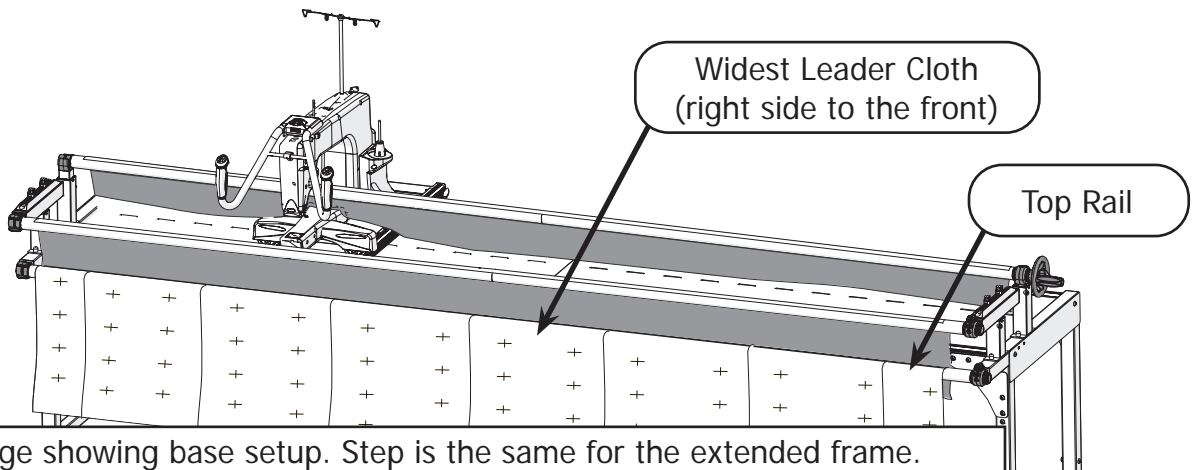
Note: Image showing base setup. Step is the same for the extended frame.

- Repeat steps 3–4 for the **medium width leader cloth** on the **backing rail**.



Note: Image showing base setup. Step is the same for the extended frame.

- For the **widest leader cloth**, repeat steps 3–4 on the **top rail**, but drape the leader cloth over the front of the rail, right side facing the front.

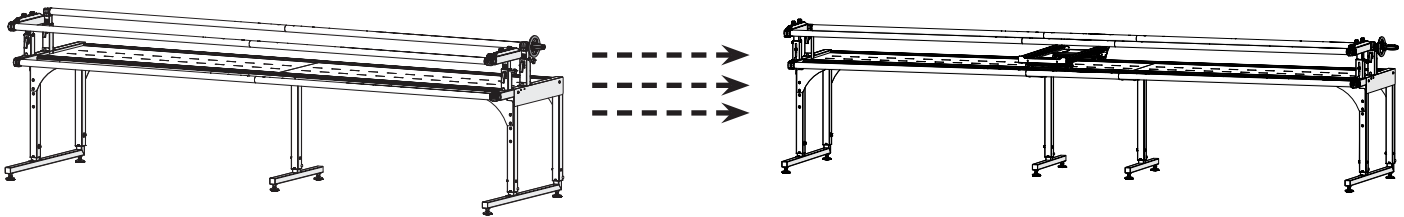


Note: Image showing base setup. Step is the same for the extended frame.

Upgrade Existing Frame

If your base frame has already been set up, you will have to partially disassemble it in order to install the extension accessories. This section describes the most efficient steps for installing the two foot extension.

If your base frame has not already been set up, go to the “Extended Frame Assembly” on page 8.



Tip: For additional help, scan the QR code below with the camera on your smart phone to visit our online support videos!

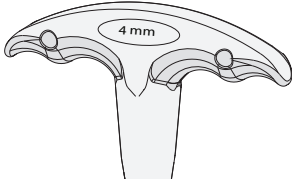


<https://www.graceframe.com/en/resources/support/videos>

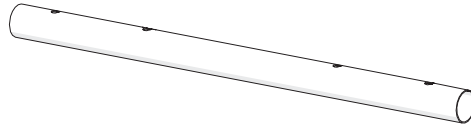
Step 1 - Rail Assembly

Parts & Tools Needed:

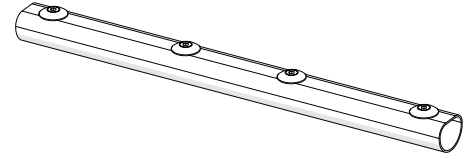
T-Handle Allen
Wrench 4 mm



2 ft Rail Sections (x3)



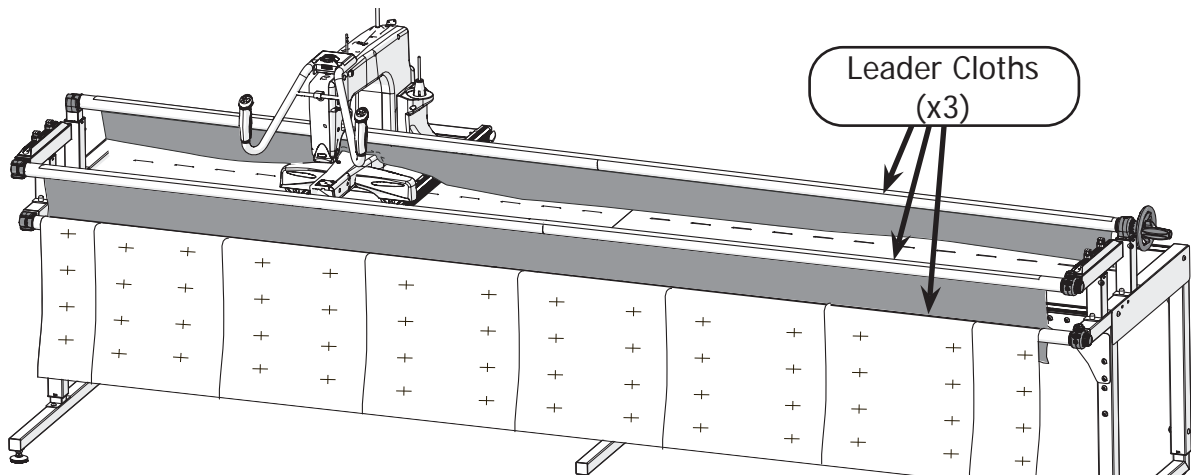
Rail Coupler (x3)



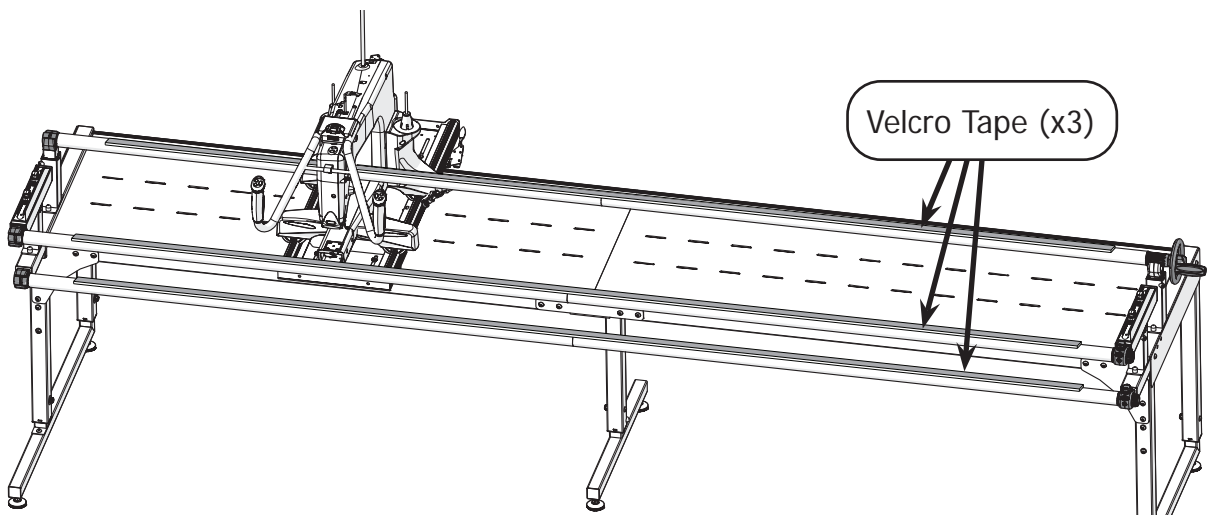
Instructions

The base frame must be partially deconstructed in order to properly install the 2 foot extension. Please take the following steps:

- 1 Remove fabric and all three **leader cloths** from the frame.



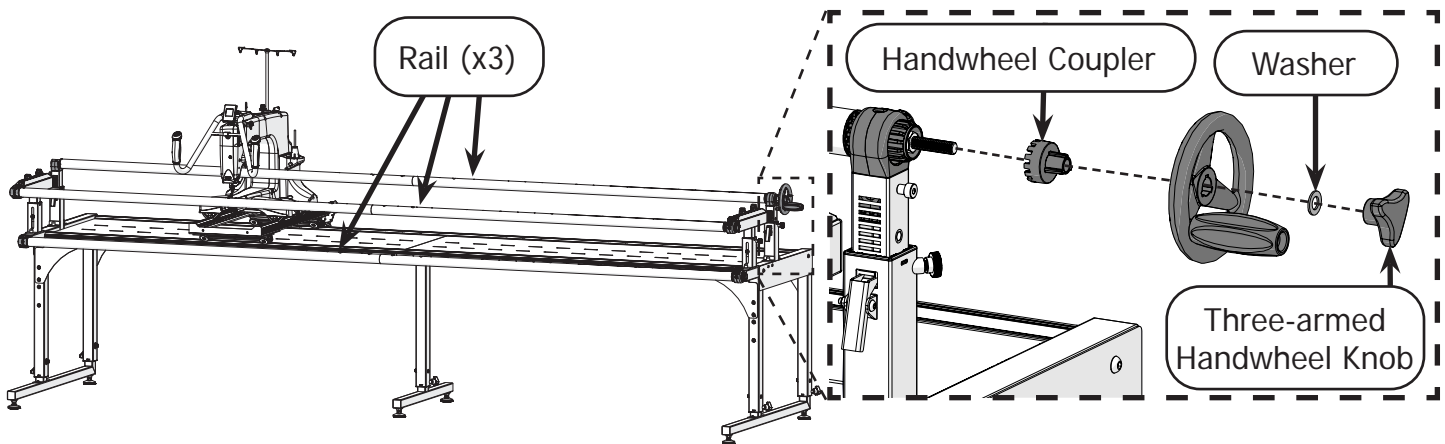
- 2 Peel the Velcro tape off of each rail.



Upgrade Existing Frame

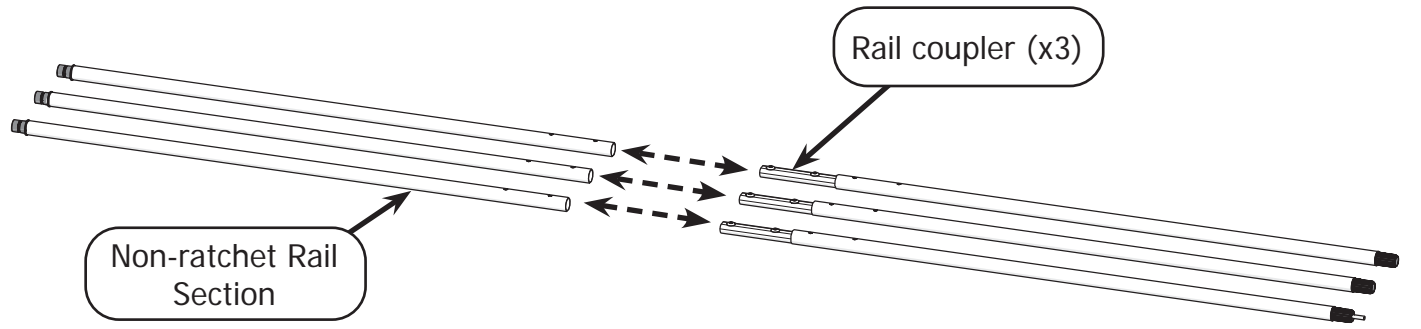
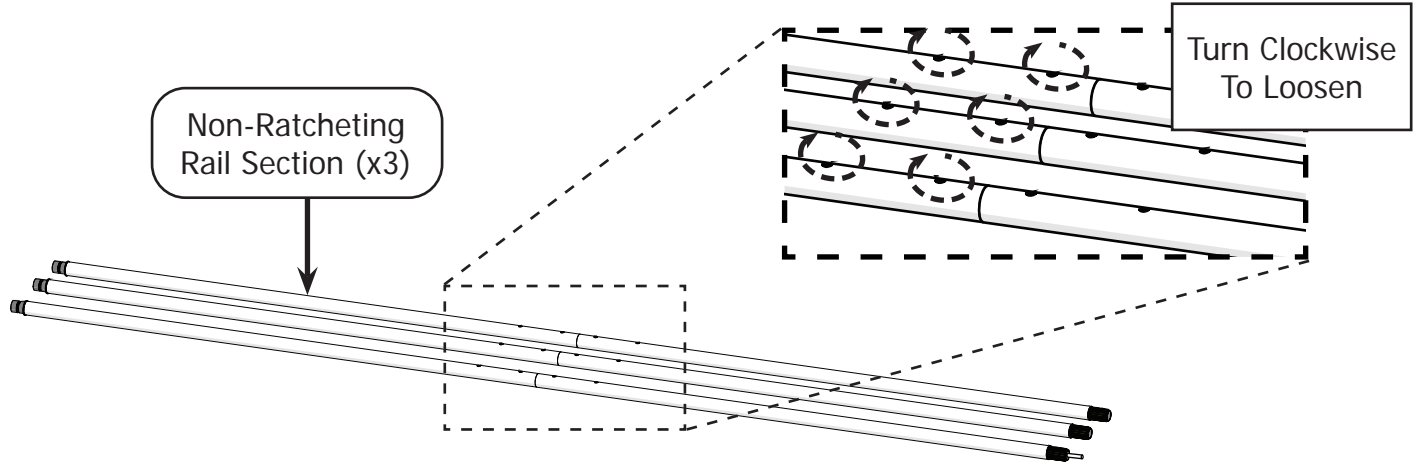
Rail Assembly (Continued)

3 Uninstall the three rails.



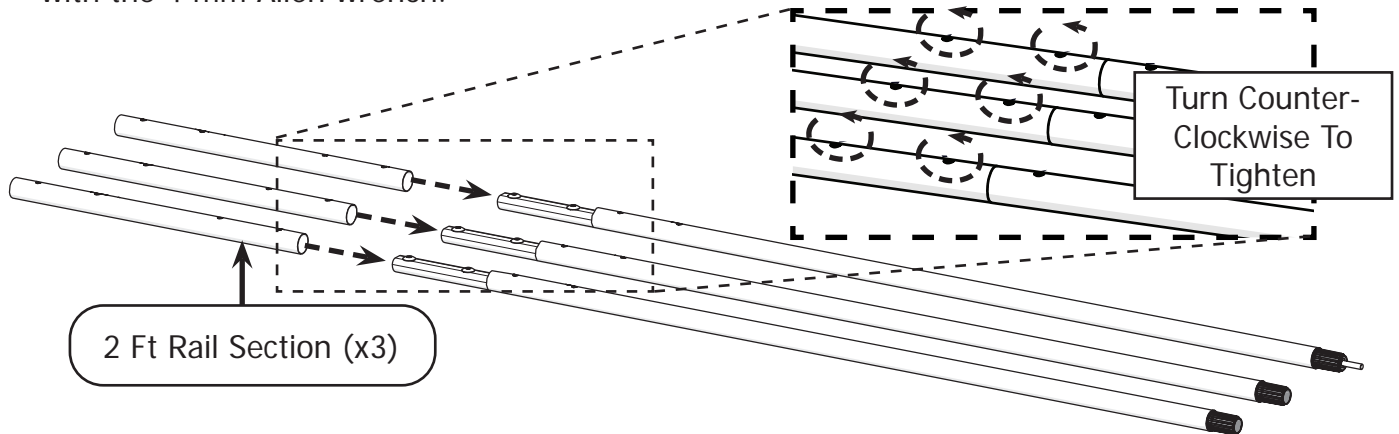
Note: Unscrew the **3-Armed handwheel knob** to remove the take-up rail.

4 Turn the six screws on the **non-ratcheting rail sections** clockwise with a 4 mm Allen wrench to separate the rail sections from the rail coupler.

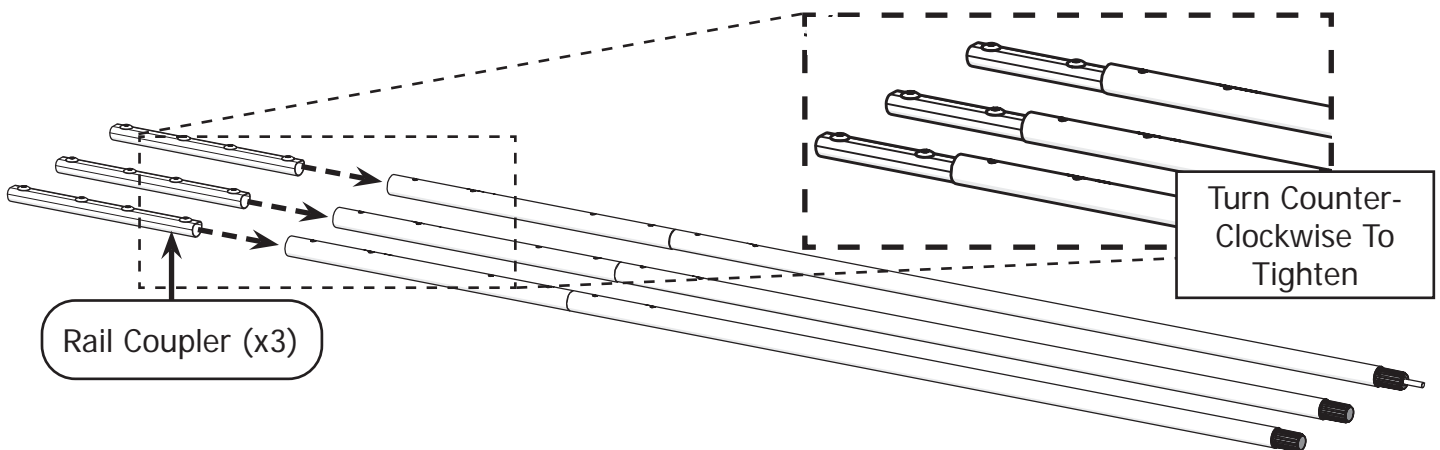


Rail Assembly (Continued)

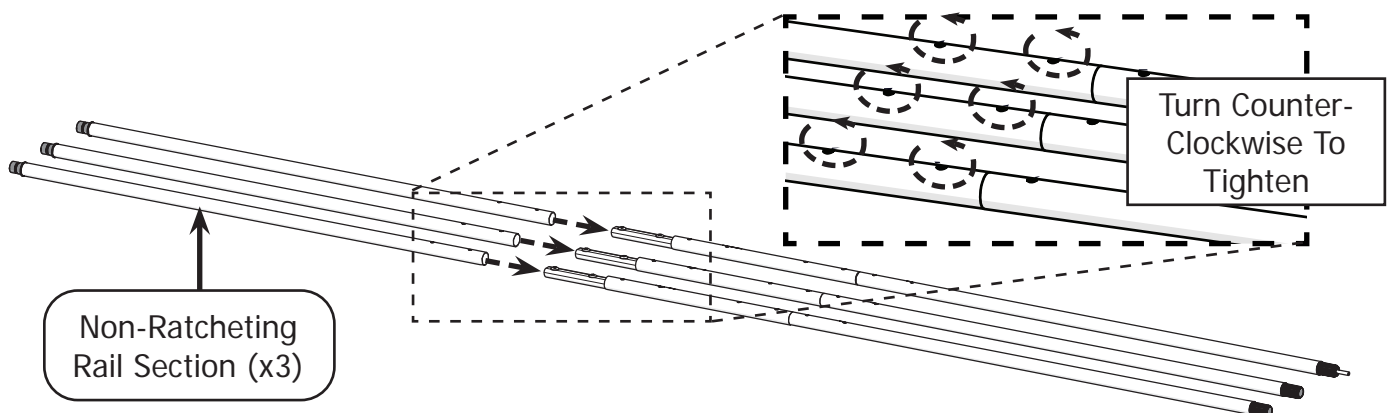
- 5 Slide each of the **2 foot rail sections** onto the rail couplers. Turn the screws counter-clockwise with the 4 mm Allen wrench.



- 6 Install the remaining **rail couplers** into the other end of the two foot section using the 4 mm Allen wrench.



- 7 Install the **non-ratcheting rail sections** onto the couplers with the 4 mm Allen wrench.

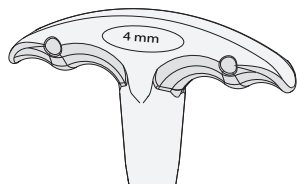


Upgrade Existing Frame

Step 2 - Track Assembly

Parts & Tools Needed:

T-Handle Allen Wrench 4 mm



Allen Wrench 3 mm



Table Section 2ft



Plastic Track 12 ft (x4)



Track Support Connector (x2)



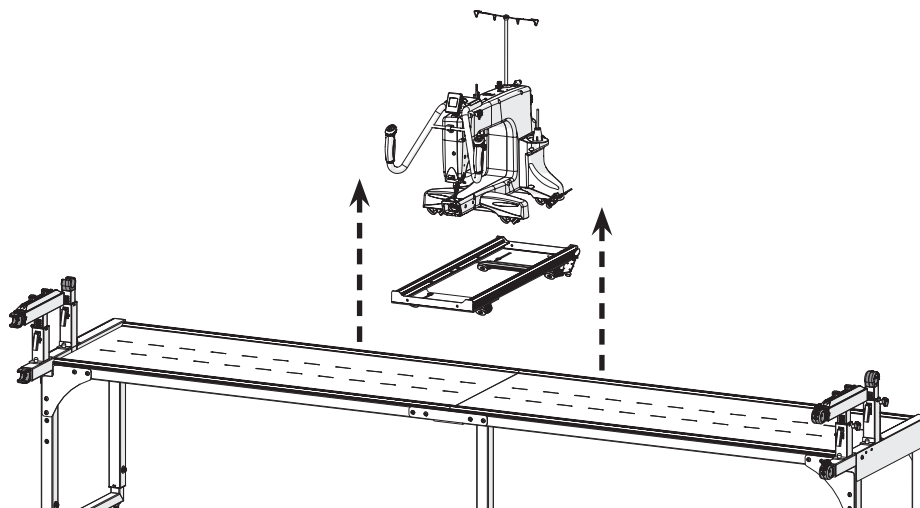
Set Screw M6 x 6 mm (x8)



Instructions

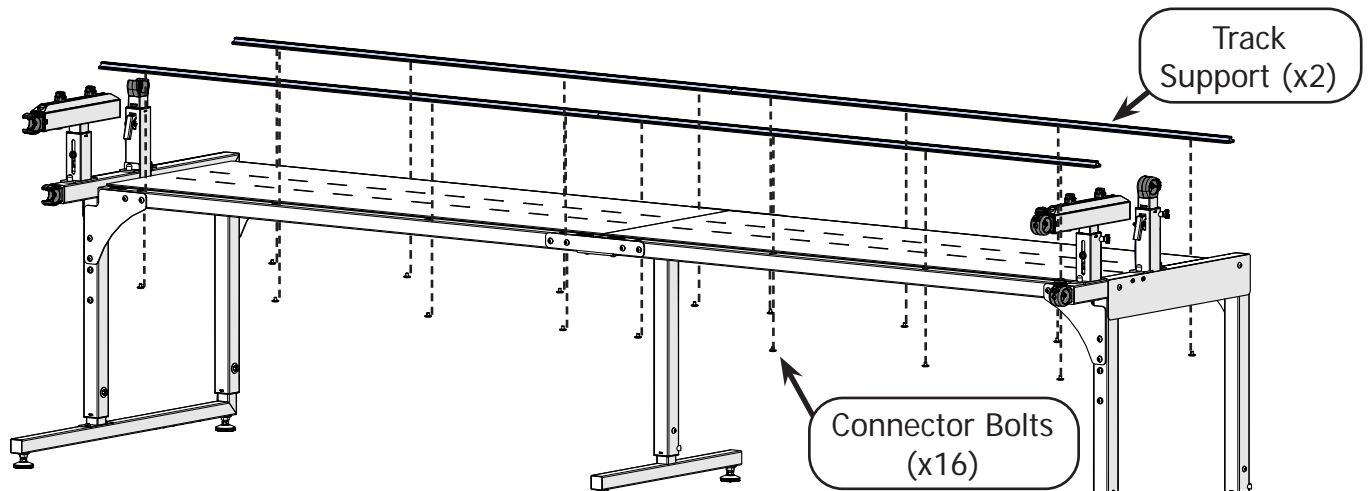
The base frame must be partially deconstructed in order to properly install the 2 foot extension. Please take the following steps:

- 1 Remove the machine and bottom carriage from the frame.

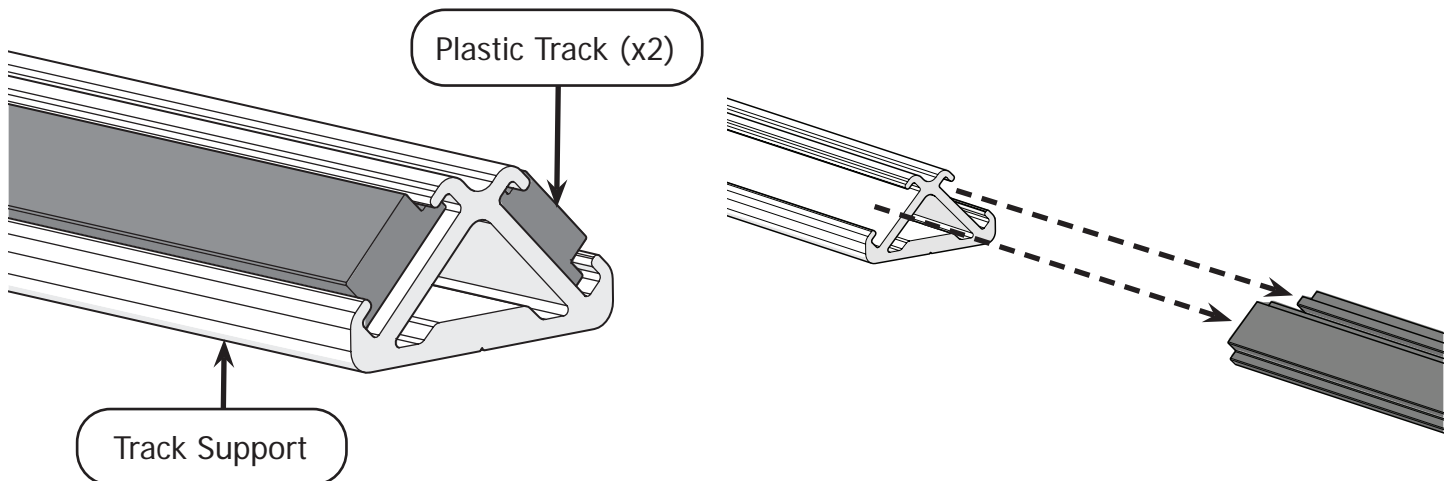


Track Assembly (Continued)

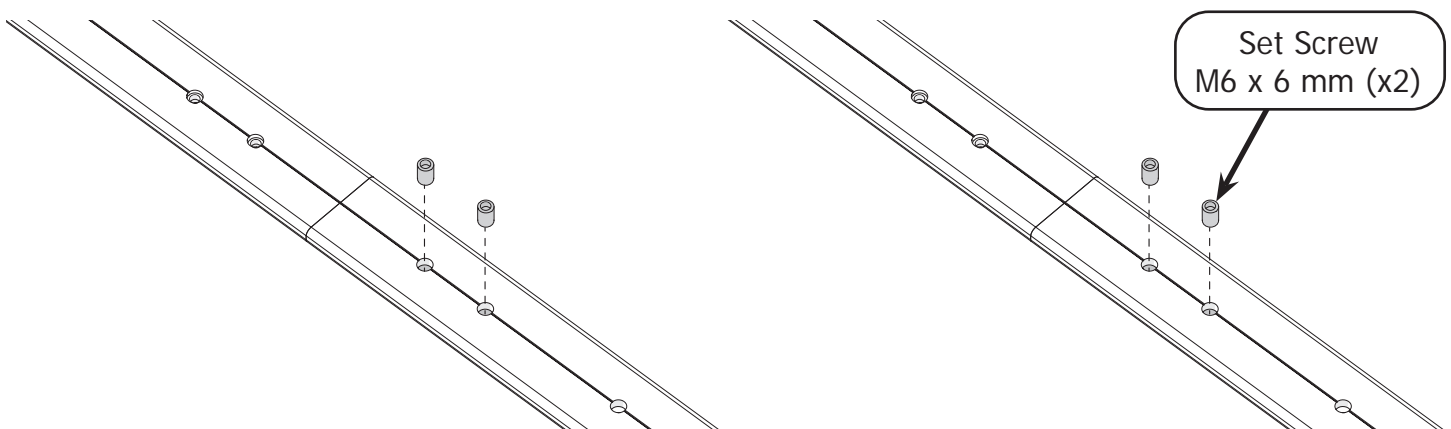
- 2 Use a 4 mm Allen wrench to remove the **connector bolts** and **track supports** from the frame.



- 3 On both track supports: Remove the **plastic tracks**.



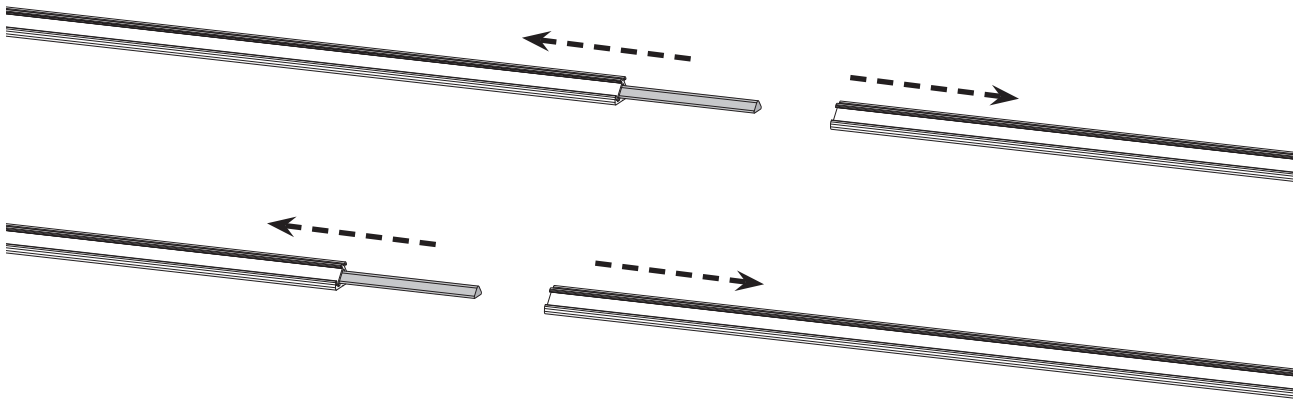
- 4 On both track supports: Use a 3 mm Allen wrench to remove the two **M6 x 6 mm set screws** from one side of the support.



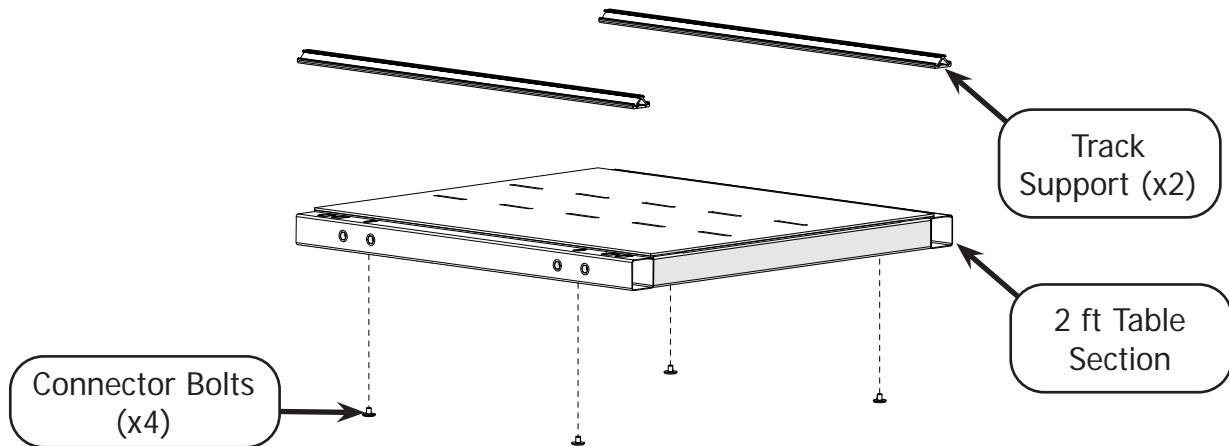
Upgrade Existing Frame

Track Assembly (Continued)

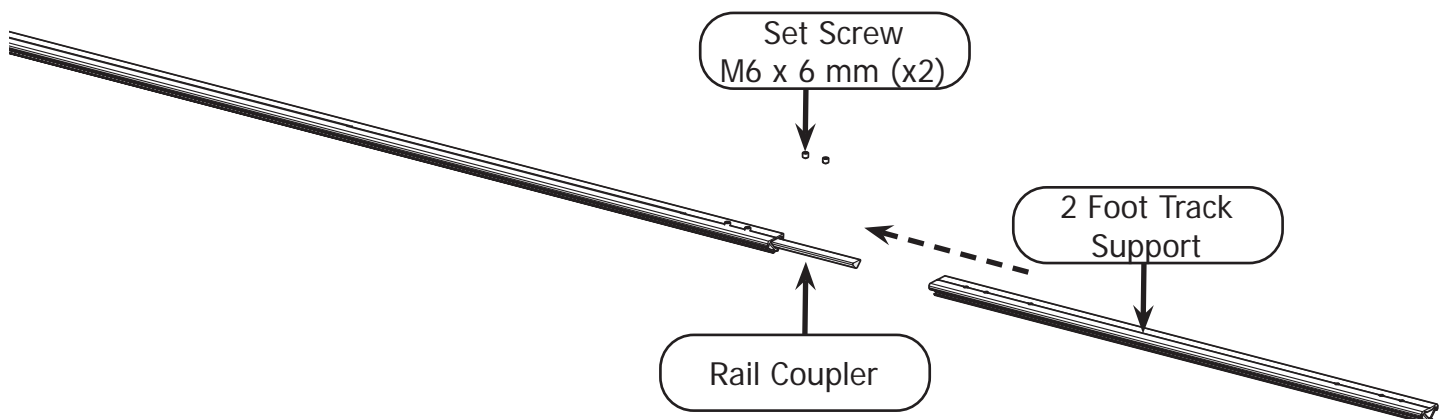
- 5 **On both track supports:** Separate the two halves.



- 6 Use a 4 mm Allen Wrench to remove the **connector bolts** and **track supports** from 2 foot table section.

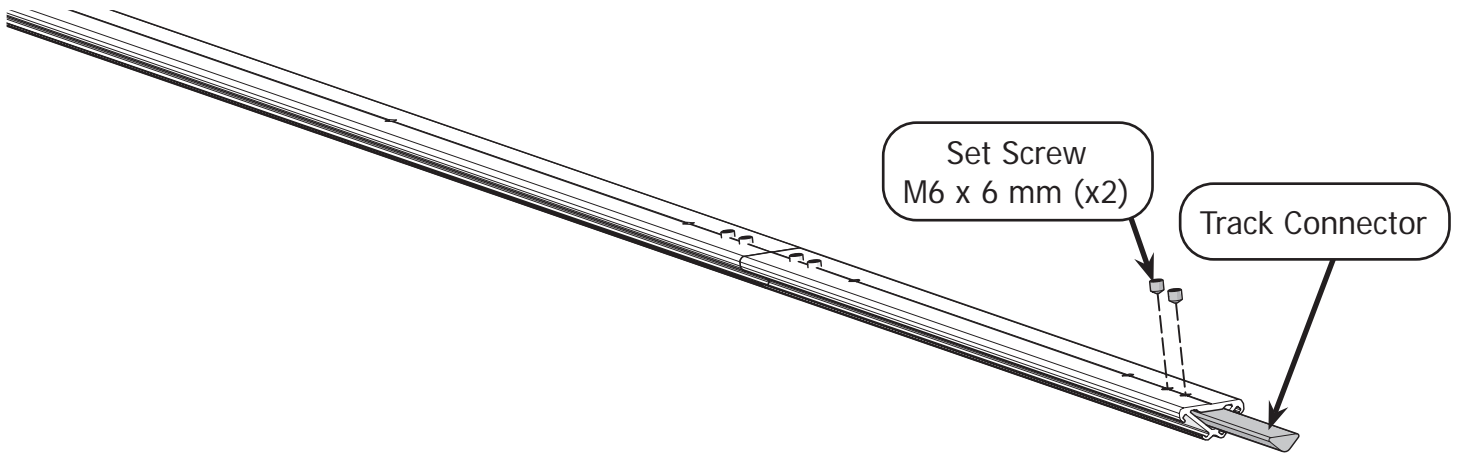


- 7 **On both long track supports with the track coupler:** Install the **two foot track support** onto the **rail coupler** using the two **M6 x 6 mm set screws** removed previously.

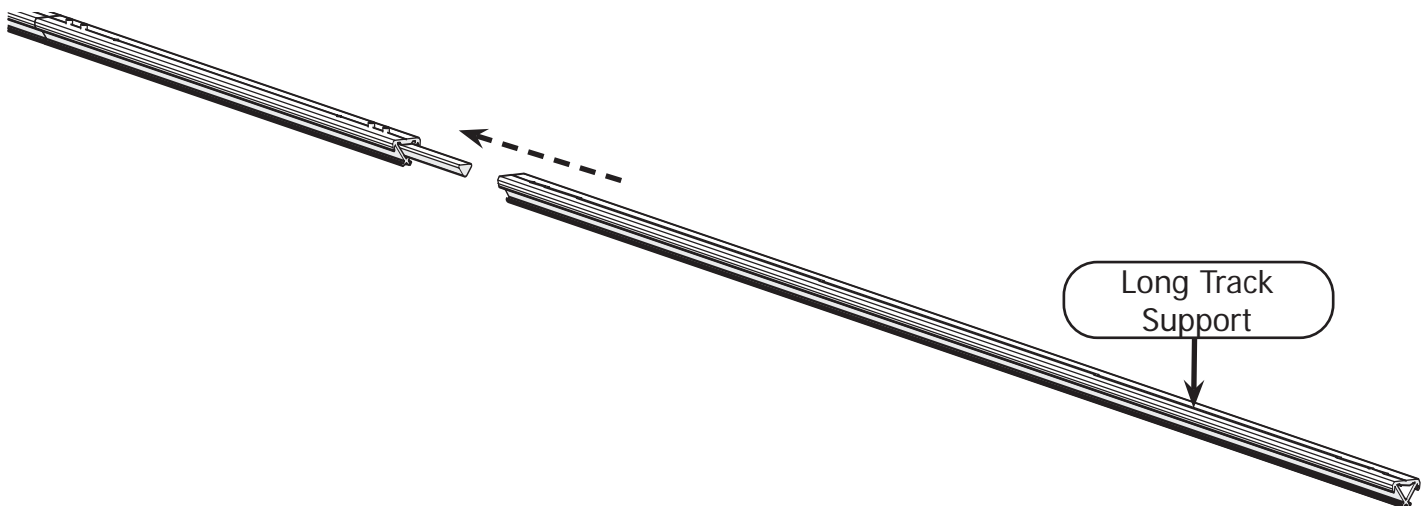


Track Assembly (Continued)

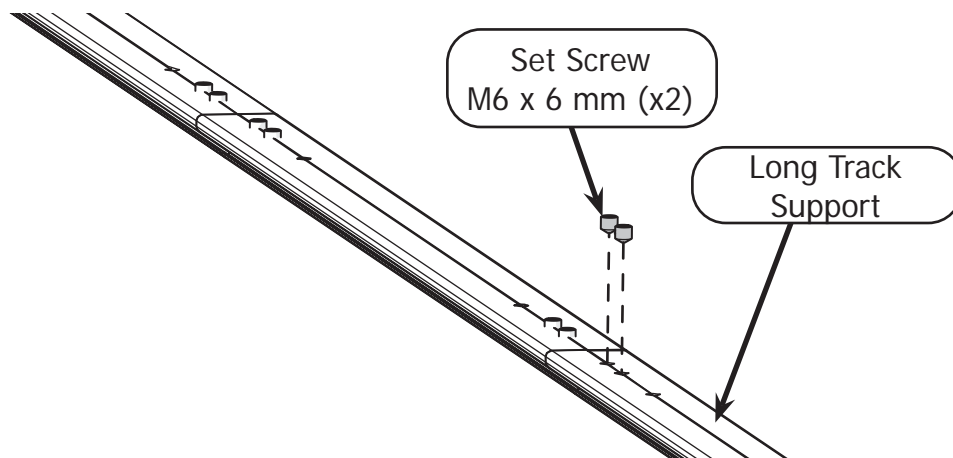
- 8 On both track supports: Use two **M6 x 6 mm set screws** and the 3 mm Allen wrench to tighten the track support firmly to the connector.



- 9 On both track supports: Slide a **long track support** into the free end of the track connector.



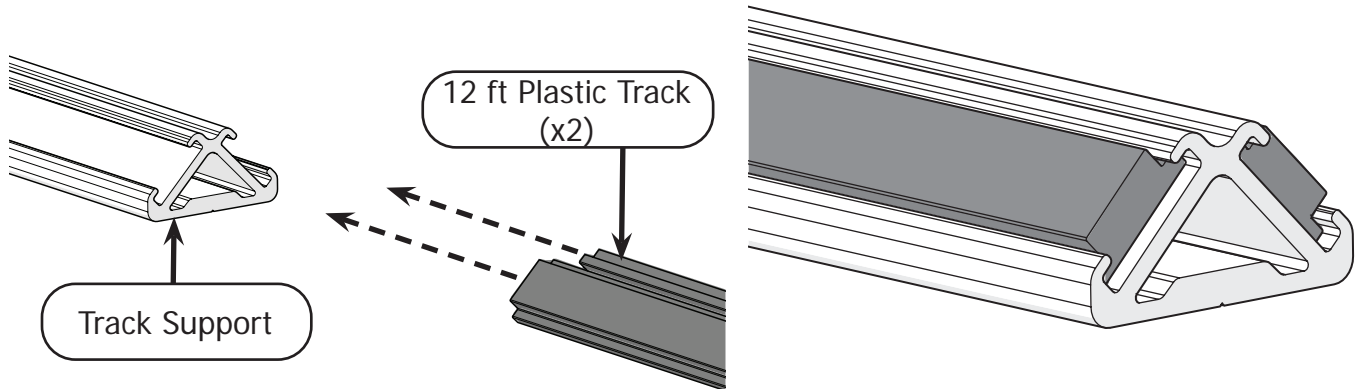
- 10 On both track supports: Use two **M6 x 6 mm set screws** and the 3 mm Allen wrench to firmly attach a long track support.



Upgrade Existing Frame

Track Assembly (Continued)

- 11 On both track supports: Thread each of the **12 foot plastic tracks** into the **track supports**.



Step 3 - Extending the Table

Parts & Tools Needed:

Allen Wrench 5 mm



Middle Leg



SBHCS Screw
M8 x 16 mm (x20)

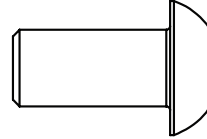
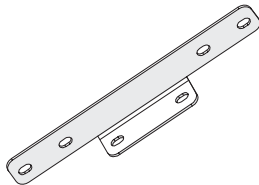


Table Section 2ft



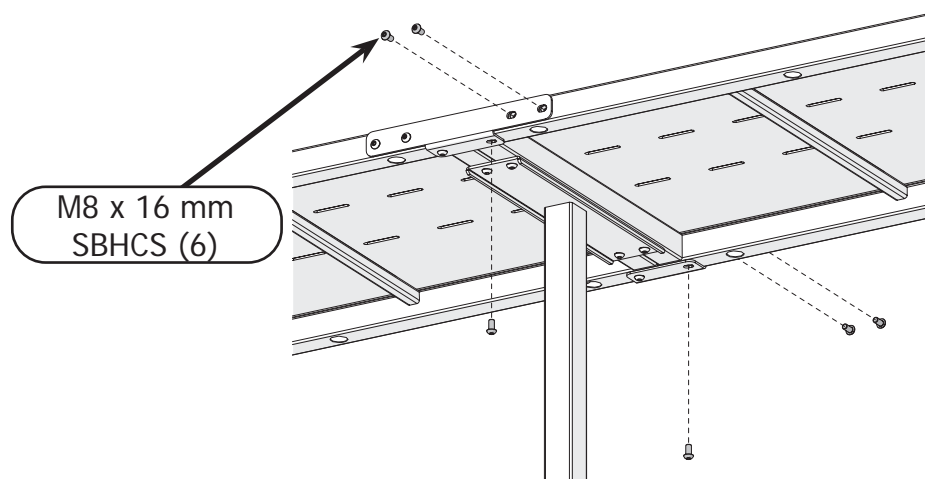
Middle Leg
Brace (x2)



Instructions

Take the following steps to install the 2 foot extension to the base frame:

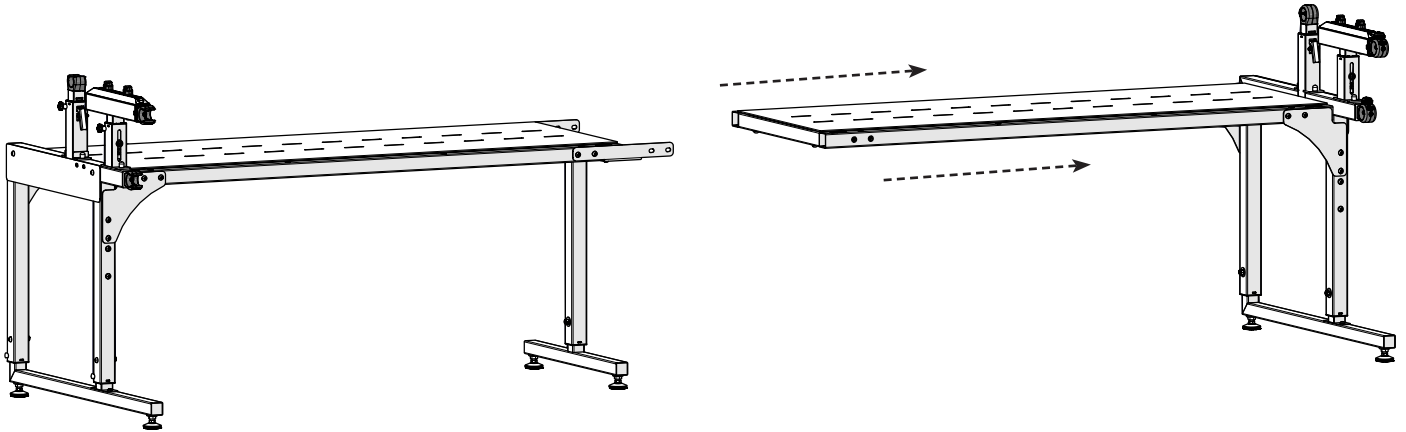
- 1 Remove the six **M8 x 16 mm SBHCS** holding the right side of the frame to the middle braces.



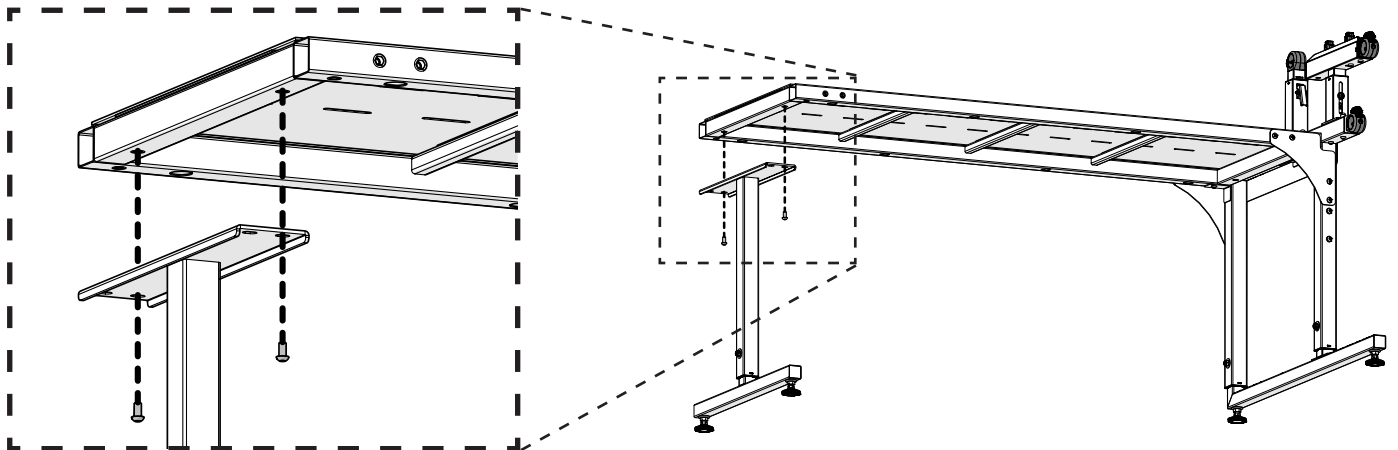
Upgrade Existing Frame

Extending the Table (Continued)

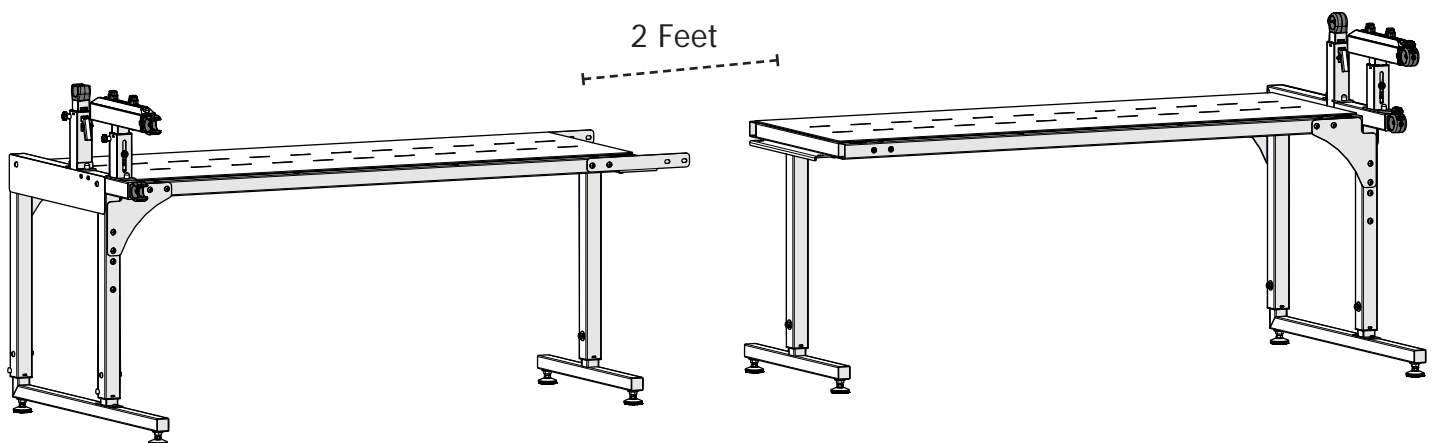
- 2 Carefully pull the right side of the frame away from the middle leg.



- 3 Use two **M8 x 16 mm SBHCS** and the 5 mm Allen wrench to attach the second middle leg to the table frame.

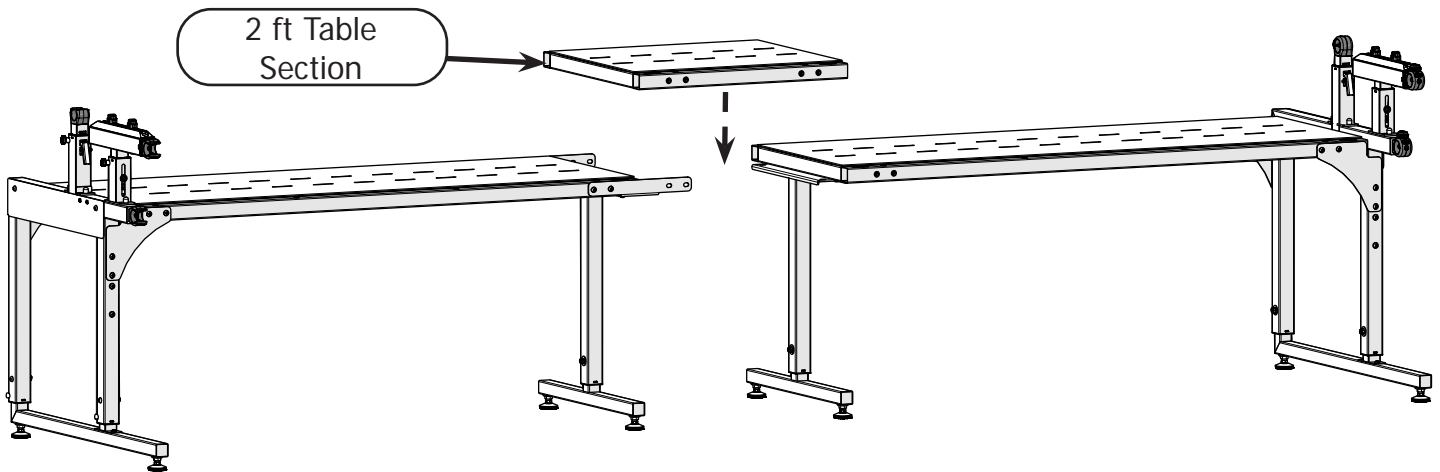


- 4 Position the middle legs so they are about two feet apart.

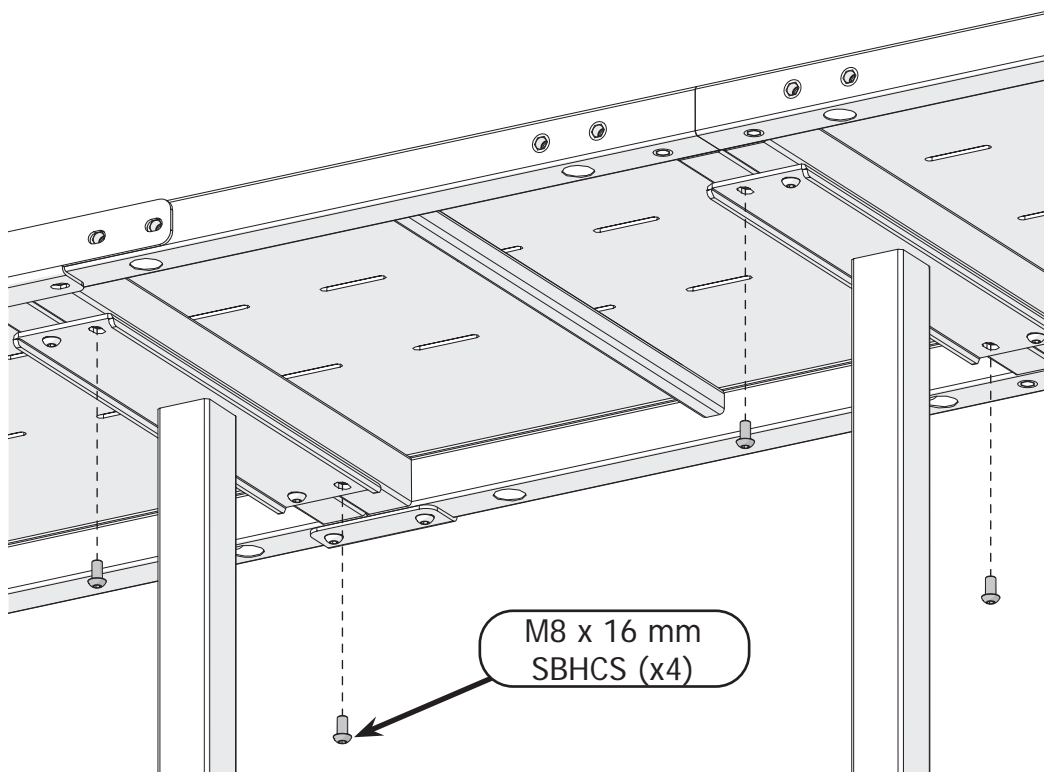


Extending the Table (Continued)

- 5 Place the **2 ft table section** onto the middle legs.



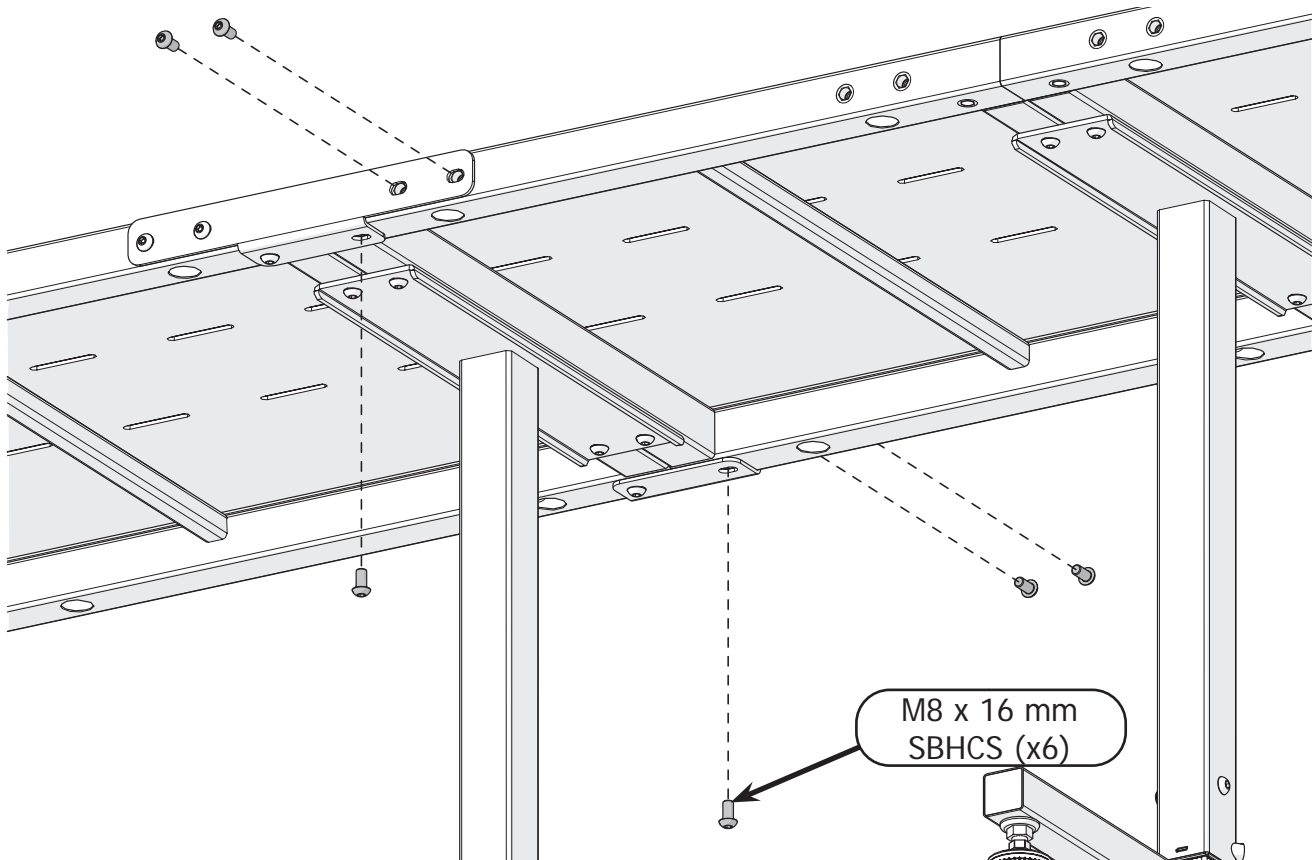
- 6 Secure the table section to the legs with four **M8 x 16 mm SBHCS screws** and the 5 mm Allen wrench.



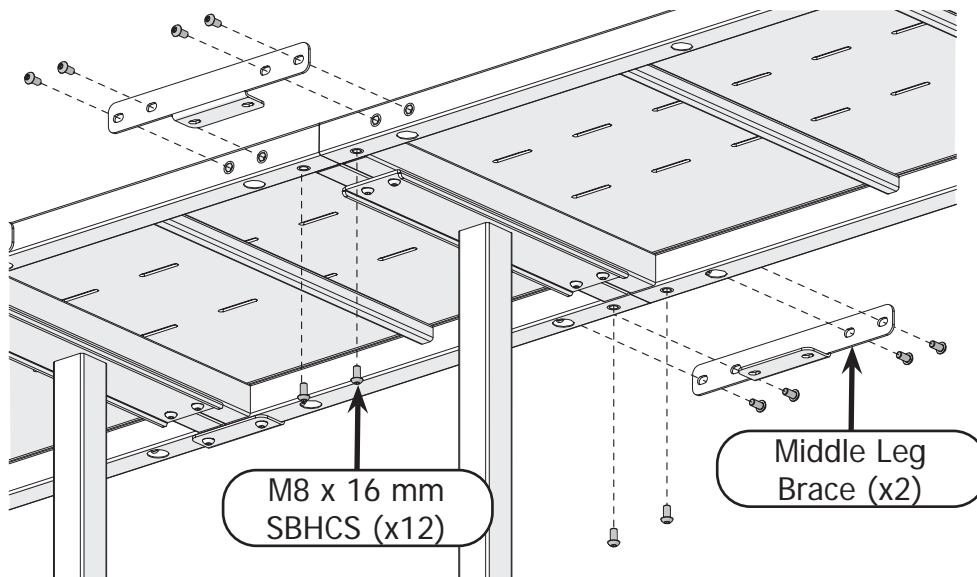
Upgrade Existing Frame

Extending the Table (Continued)

- 7 Re-install the six **M8 x 16 mm SBHCS** that were removed from the middle braces in step 3.1.



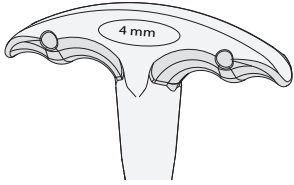
- 8 Install the remaining **middle leg braces** onto the frame with twelve **M8 x 16 mm SBHCS screws** and the 5 mm Allen wrench.



Step 4 - Installing the Tracks

Parts & Tools Needed:

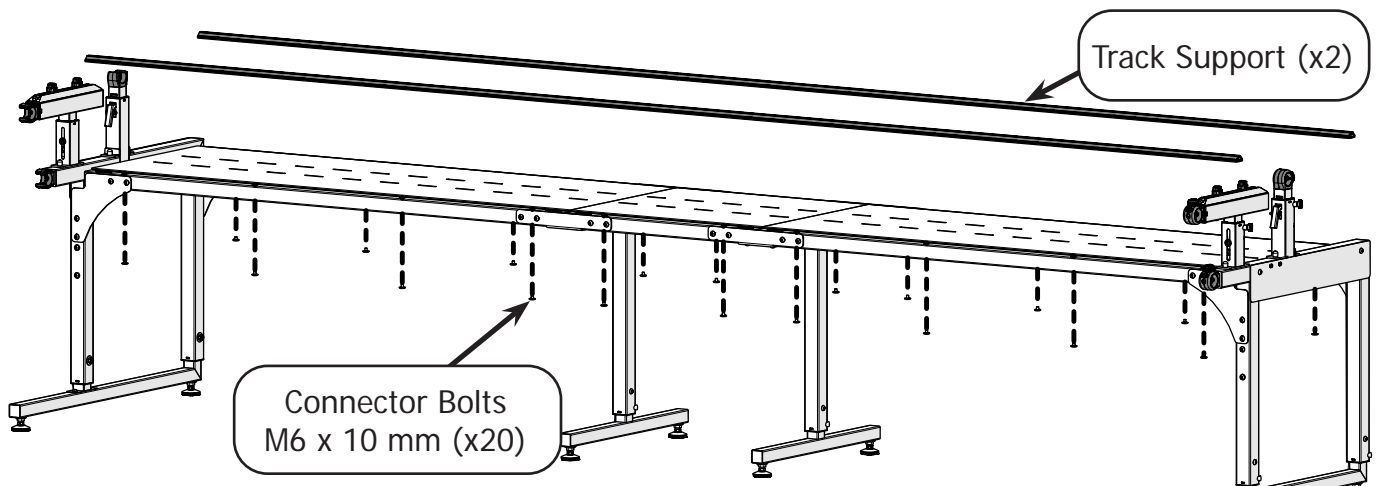
T-Handle Allen
Wrench 4 mm



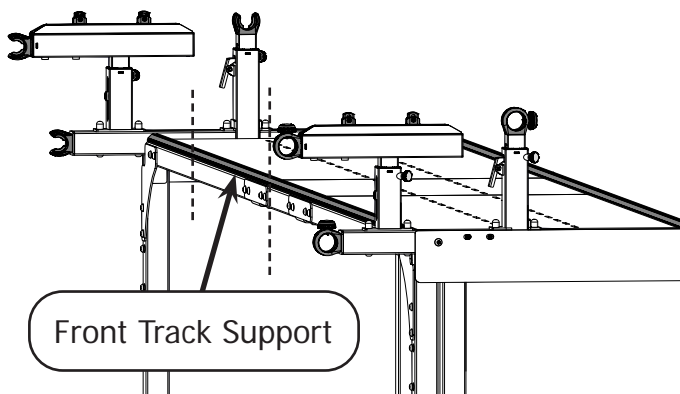
Instructions

Take the following steps to install and align the frame tracks:

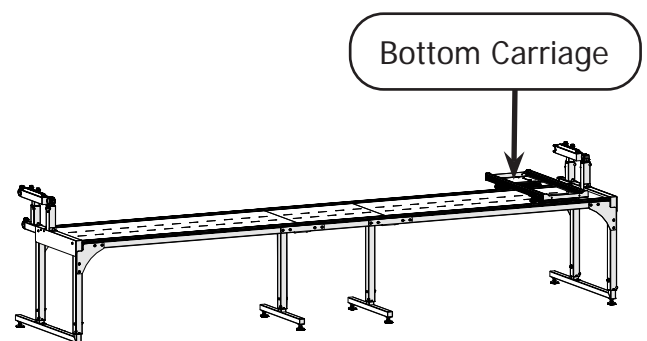
- 1 Loosely connect the **track supports** to the frame with the 4 mm Allen wrench and the twenty **M6 x 10 mm connector bolts** removed in "Step 2 - Track Assembly" on page 46.



- 2 Line up the **front track support** as close to the edge of the frame as possible and tighten the 10 front connector bolts.



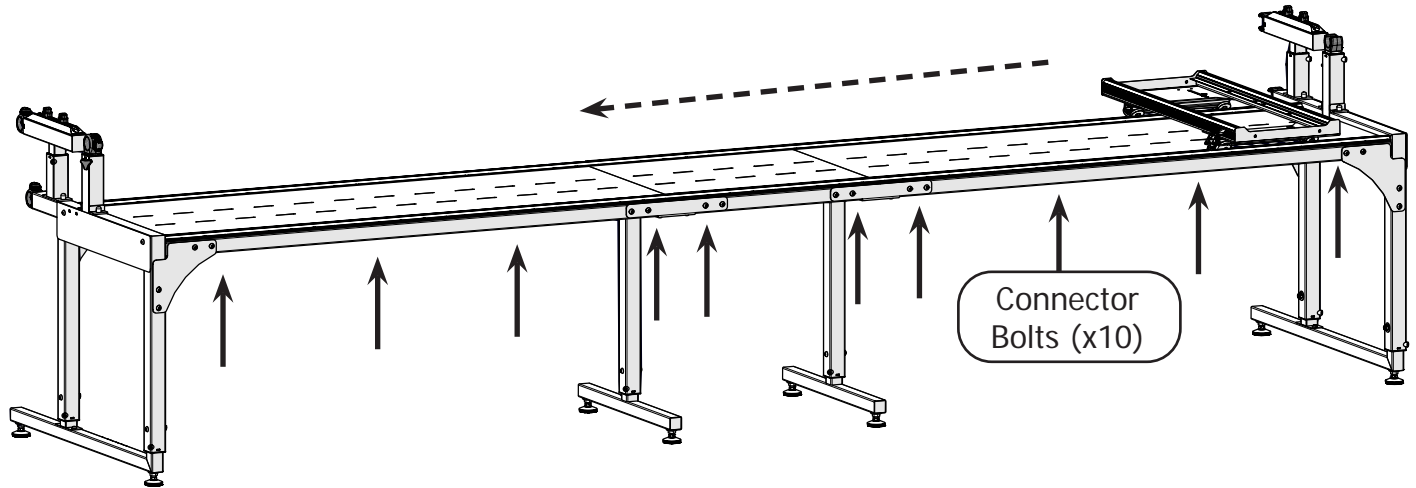
- 3 Carefully place the **bottom carriage** onto the frame.



Upgrade Existing Frame

Installing the Tracks (Continued)

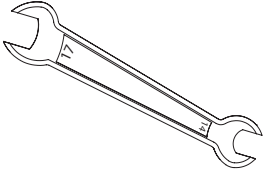
- 4 Slowly slide the carriage from one side of the frame to the other. Tighten each of the ten rear connector bolts as the bottom carriage passes over them.



Step 5 - Leveling the Frame

Parts & Tools Needed:

Open-End Wrench
14 mm & 17 mm

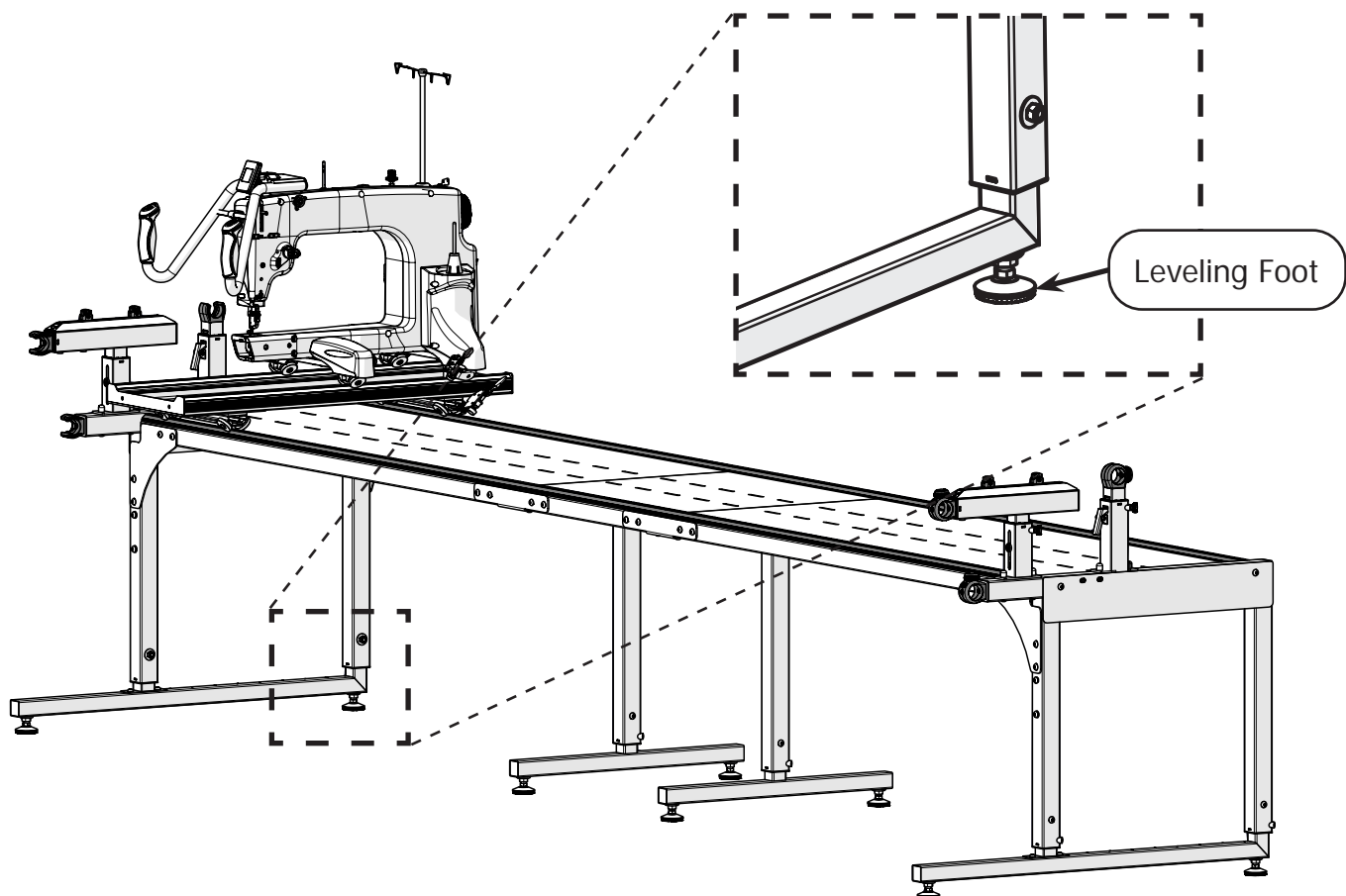


Base Frame

Instructions

Leveling the frame ensures the machine doesn't drift or pull to one side when stitching.

- 1 Move the machine and bottom carriage to one corner of the frame, and release. If the machine rolls away from the corner, use the 17 mm open-end wrench to adjust the **leveling foot** at the bottom of the leg.

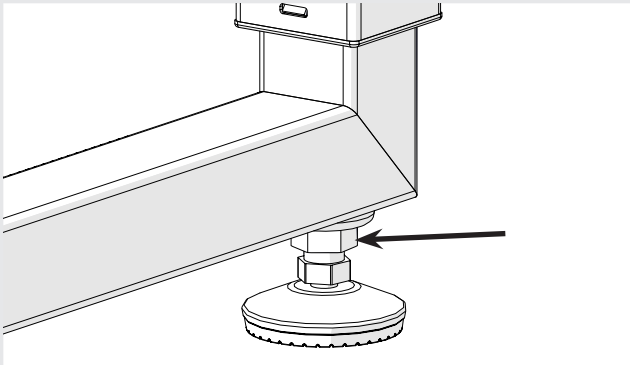


Upgrade Existing Frame

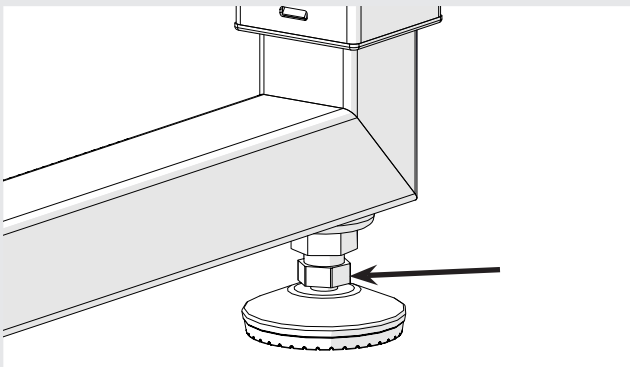
Leveling the Frame (Continued)

Leveling Foot Adjustment

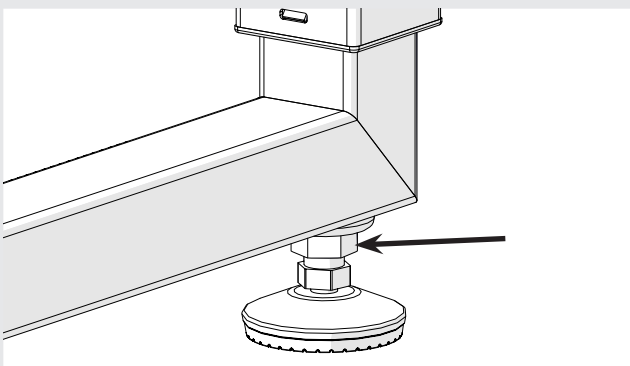
- a Loosen the top nut on the leveling foot with the 17 mm open-end wrench.



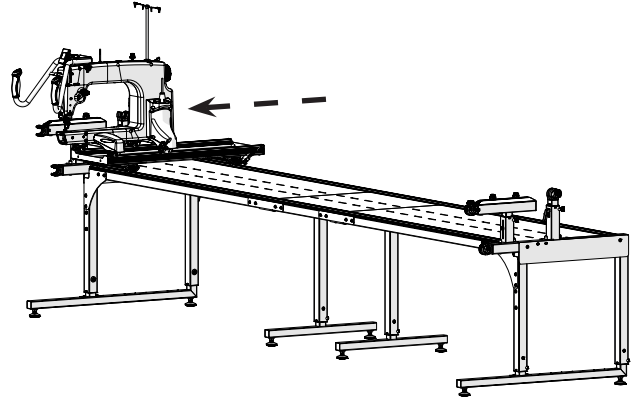
- b Turn the bottom nut with the 14 mm open-end wrench until the desired height is set.



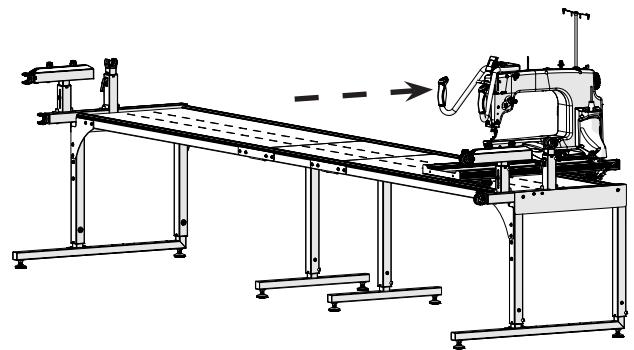
- c Tighten the top nut until it is firm against the frame leg with the 17 mm open-end wrench.



- 2 Test the next corner of the frame, and adjust the leveling foot underneath if needed.



- 3 Test the middle of the frame next, and then the other two corners.

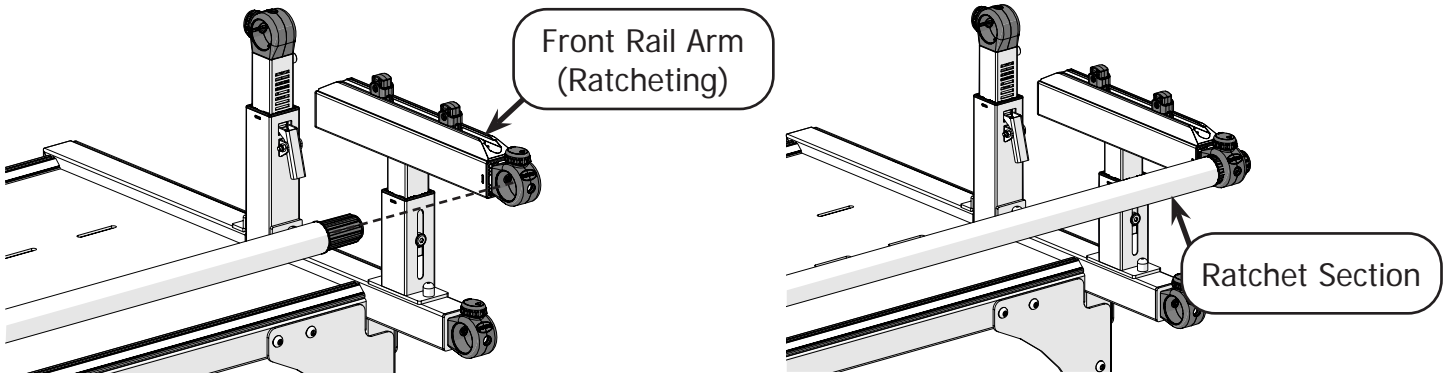


Step 6 - Installing the Rails

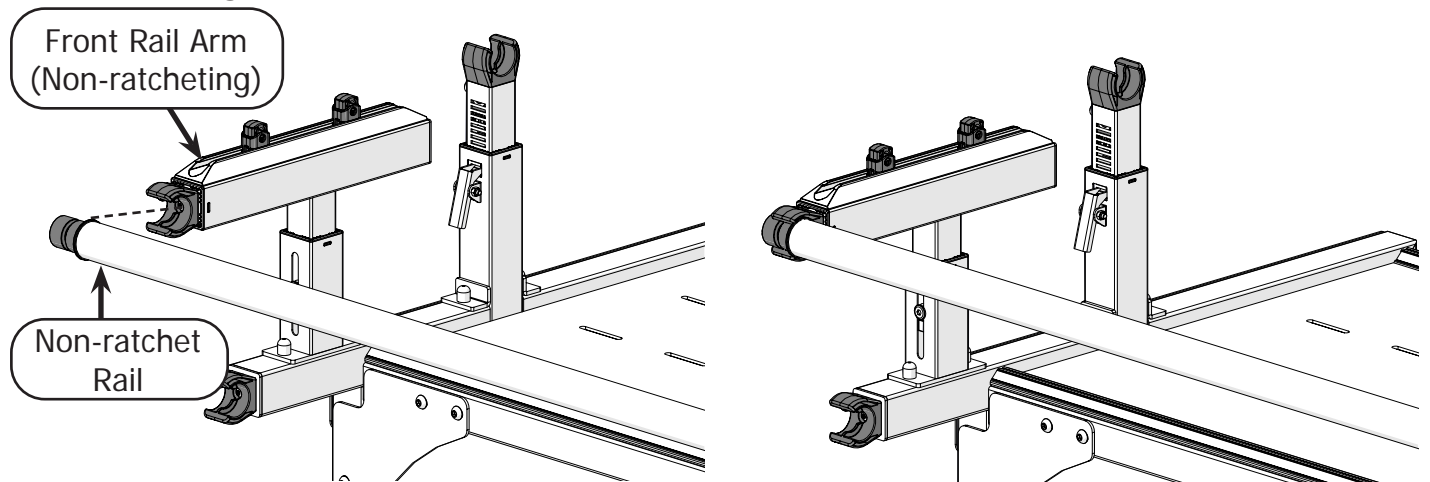
Instructions

Please take the following steps to install the frame rails:

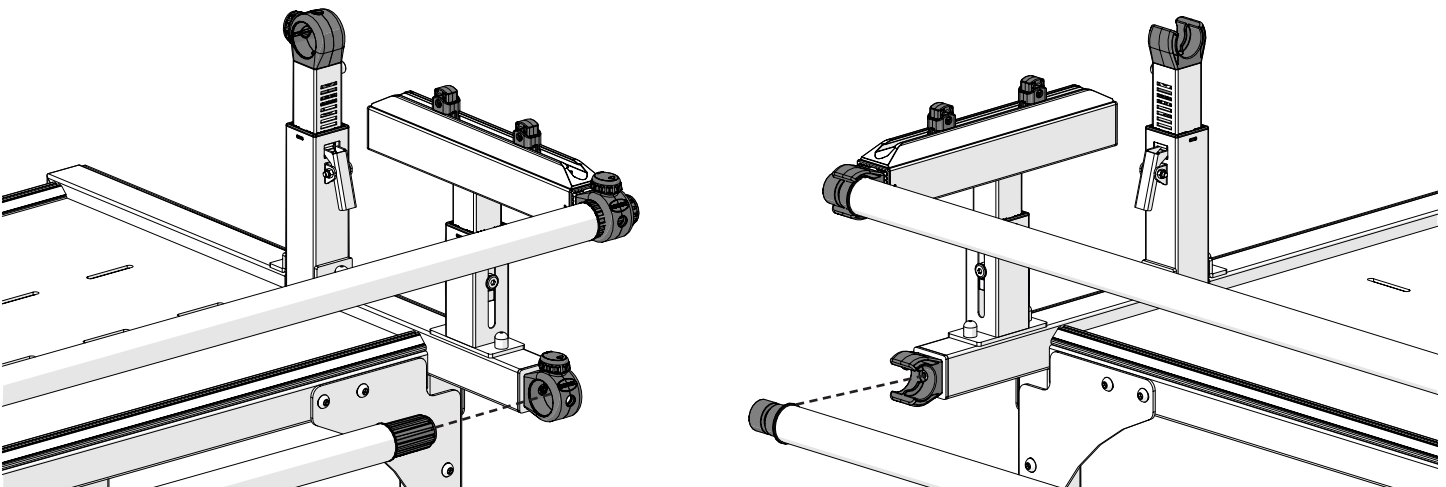
- 1 Insert the **ratchet section** end of one of the rails into the **front rail arm (ratcheting side)**.



- 2 Press the other end of the rail (the **non-ratchet rail side**) into the **front rail arm (non-ratcheting side)**.



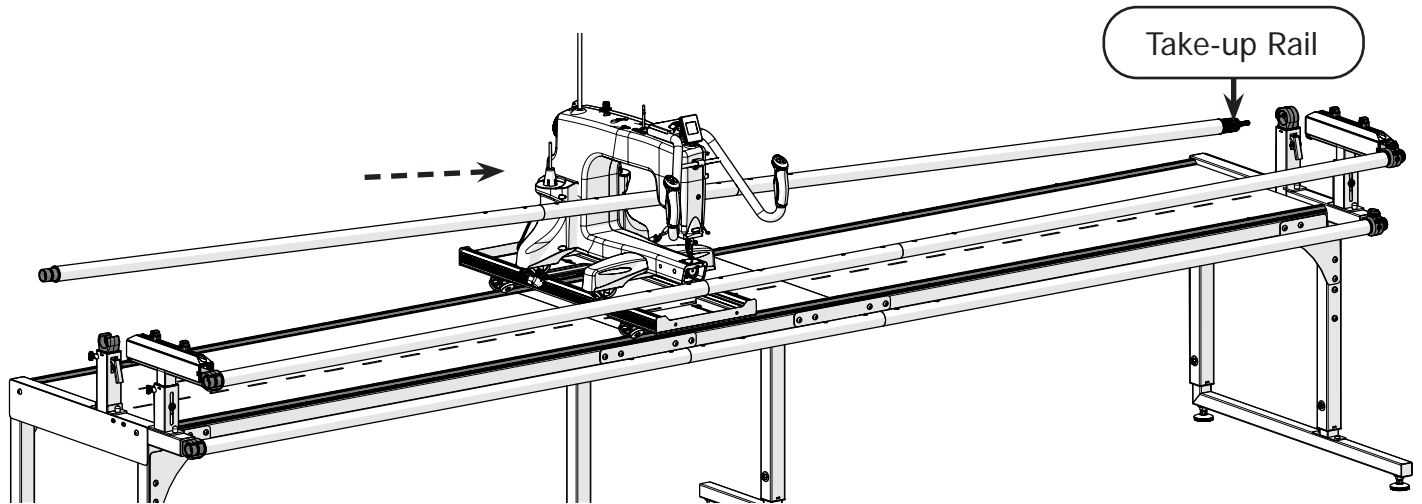
- 3 Repeat steps 1-2 for the bottom rail.



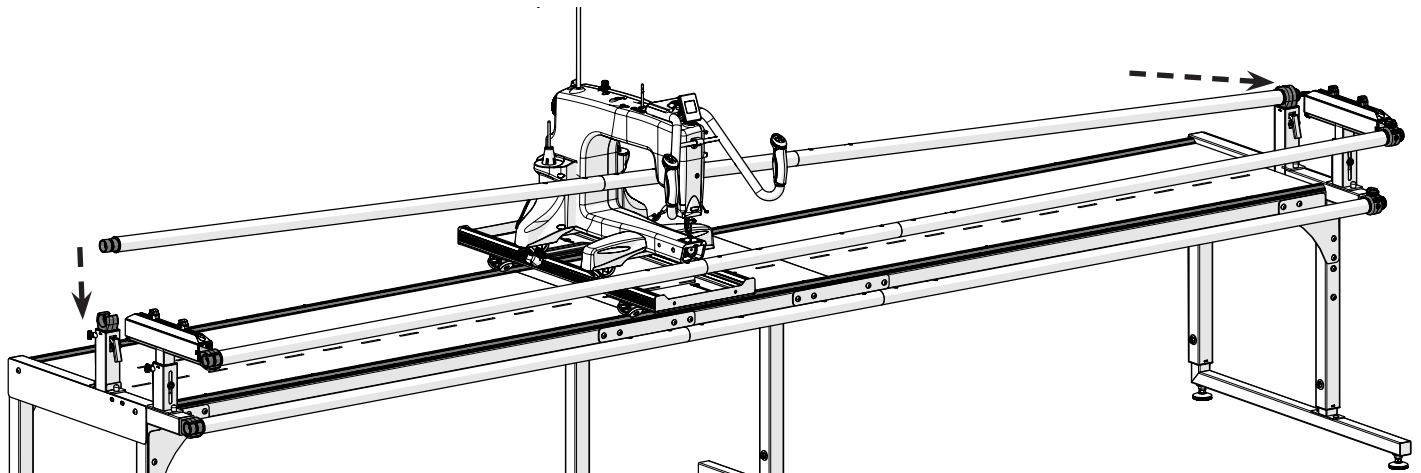
Upgrade Existing Frame

Installing the Rails (Continued)

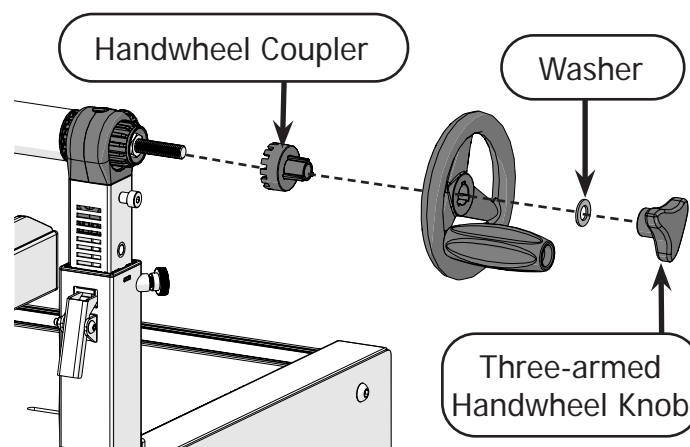
- 4 Insert the **take-up rail** handwheel side first through the throat of the machine.



- 5 Place the ratcheting side of the rail into the ratcheting take-up rail arm, and then press the non-ratcheting side into the non-ratcheting take-up rail arm.



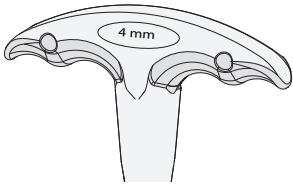
- 6 Screw the **handwheel coupler**, handwheel, **washer**, and **three-armed handwheel knob** to the take-up rail.



Step 7 - Adjusting the Rails

Parts & Tools Needed:

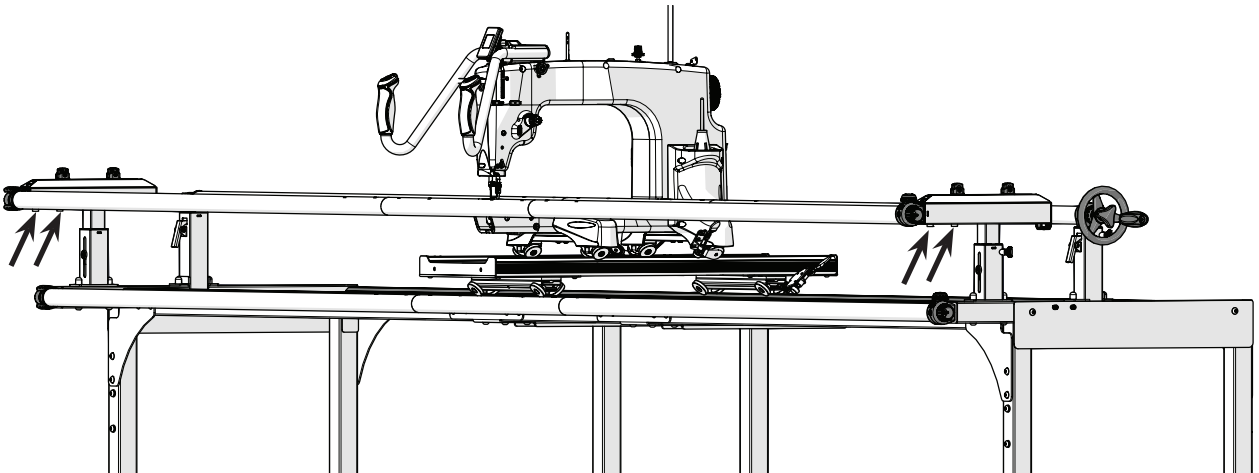
T-Handle Allen
Wrench 4 mm



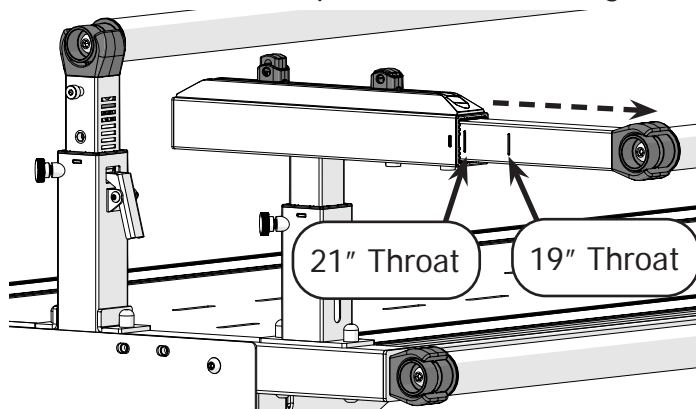
Instructions

The placement of the rails in relation to the machine is crucial for proper quilt alignment and quality sewing. For customers using the idler or batting accessory rails, please refer to the instructions that came with your accessories on how to configure your rails. For the standard setup, please take the following steps:

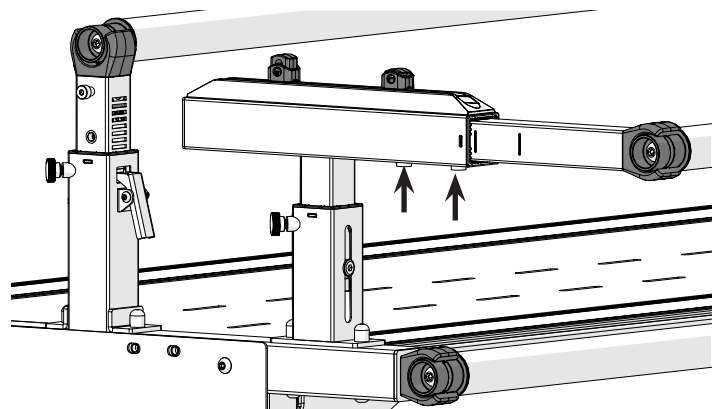
- 1 If the throat of your machine is greater than 15", you will need to extend your front rail. Use the 4 mm Allen wrench to loosen the set screws on both the front rail arms.



- 2 Extend the arm out to the first notch for machines with a throat of up to 19" in length. Extend to the second notch for machines with up to a 21" throat length.

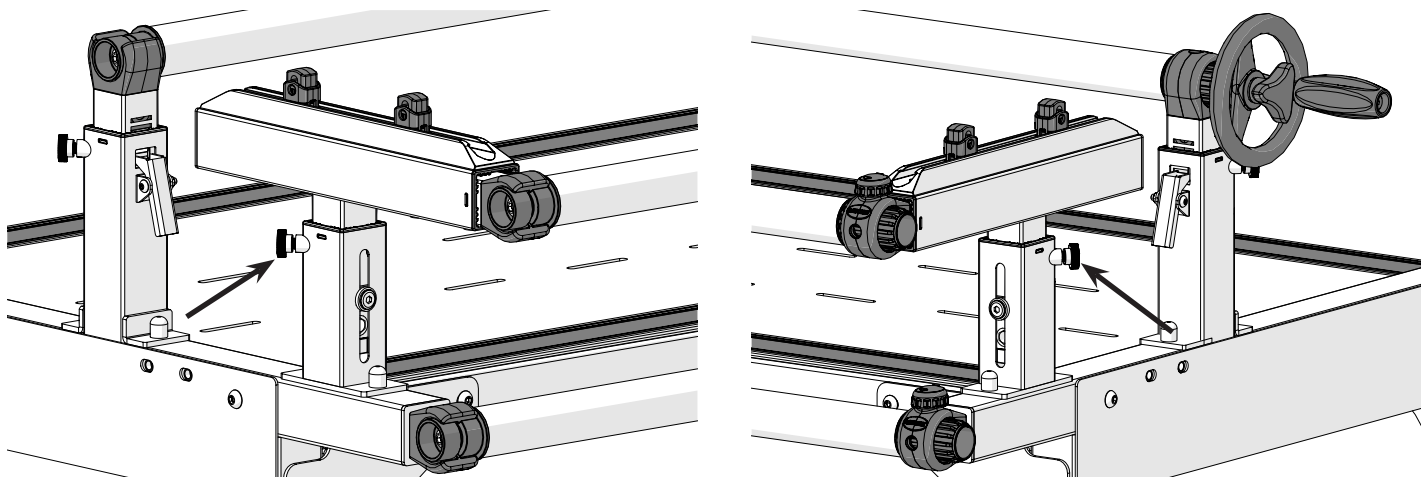


- 3 Re-tighten the set screws with the 4 mm Allen wrench.

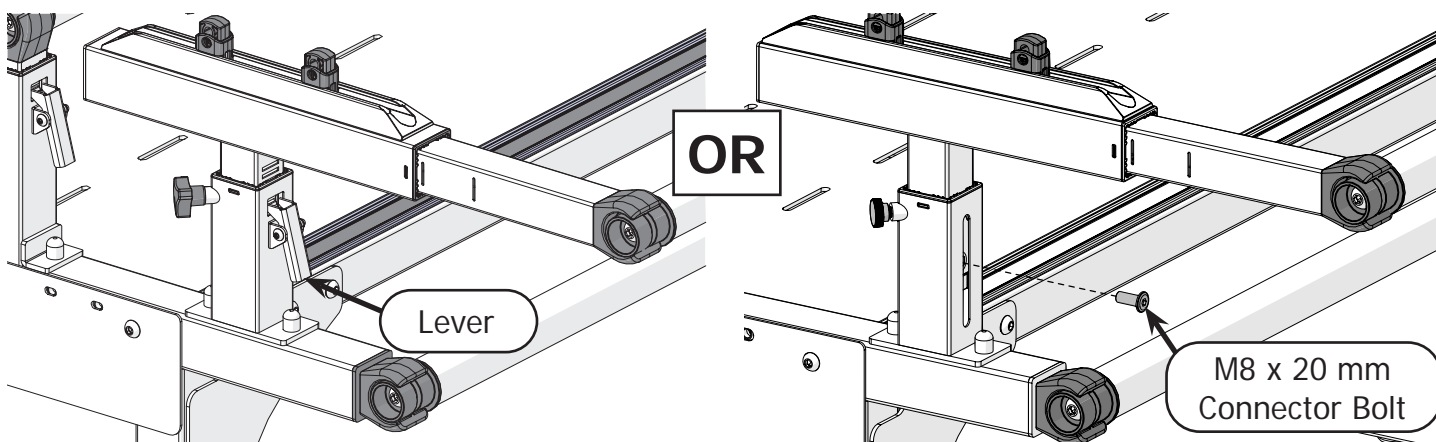


Adjusting the Rails (Continued)

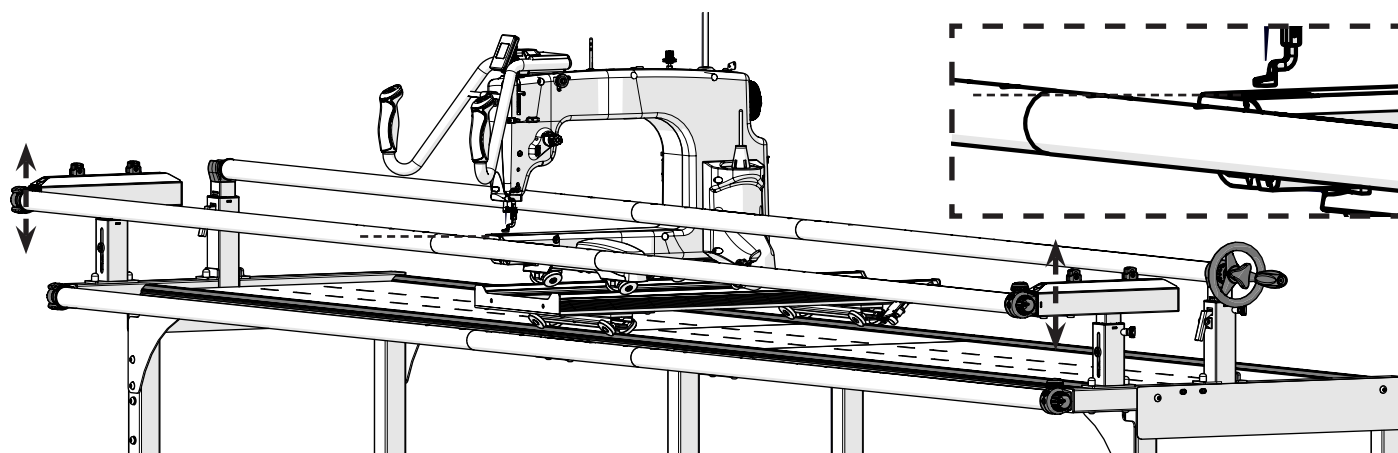
- 4 To set the front rail height, turn the knobs on the necks of both front rail arms.



- 5 Loosen both rail arms so they can be raised or lowered. On older frame models, this is done by pushing in the levers on the frame arms. On newer models, use the 5 mm Allen wrench to remove the M8 x 20 mm connector bolt in the frame arms.

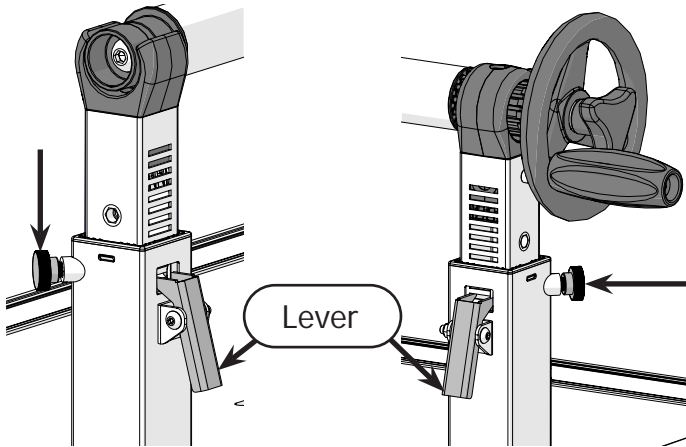


- 6 Set the top of the rail so it is level with the machine's needle plate. When the height is set, release the levers, or re-install the M8 x 20 mm connector bolts. Tighten the height knobs on the rail arms.

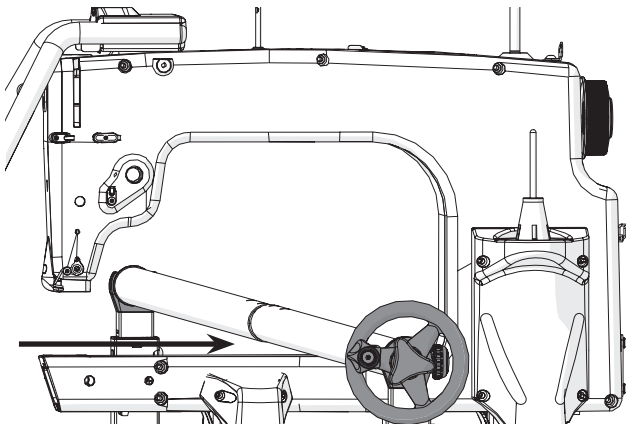


Adjusting the Rails (Continued)

- 7 Loosen the knobs on both take-up rail arms. Press in on the **levers** to set the rail height.



- 8 Set the take-up rail so there is just enough space to slide a finger between it and the machine. Re-tighten the knobs.

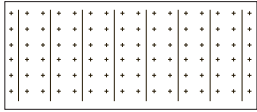


Upgrade Existing Frame

Step 8 - Installing the Velcro Tape

Parts & Tools Needed:

Leader Cloth Set



Marker (not included)



Tape Measure (not included)

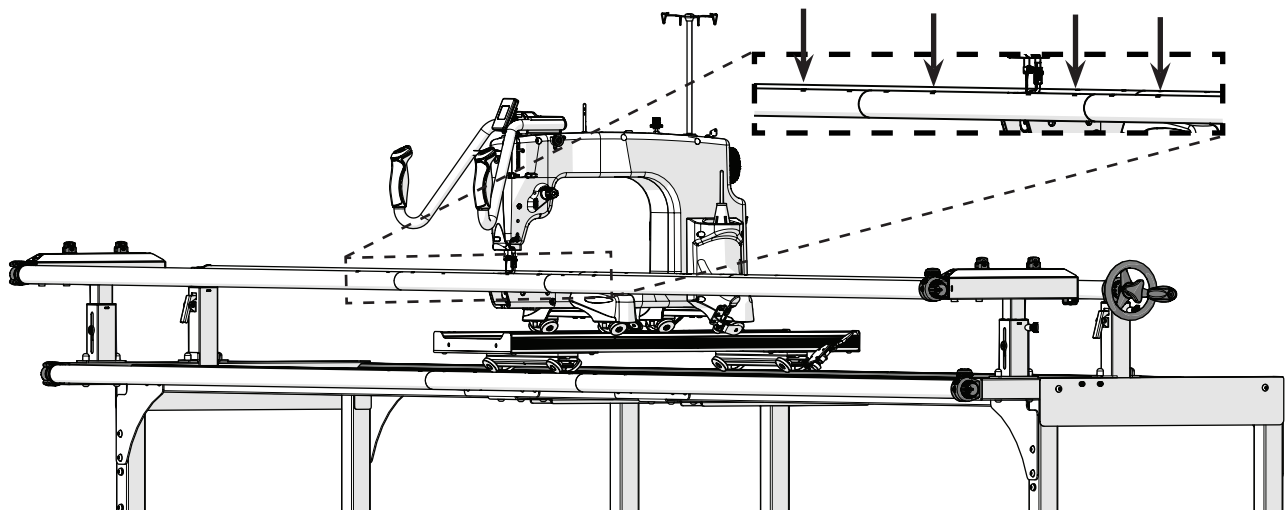


Velcro Tape (x3) (found in leader cloth set)

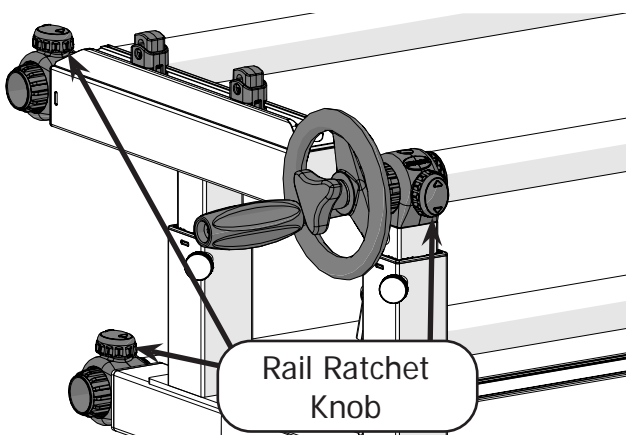
Instructions

Velcro strips are used to attach the leader cloth to your frame. The leader cloths help align the quilt and maximize the area of the quilt surface that the machine will be able to reach.

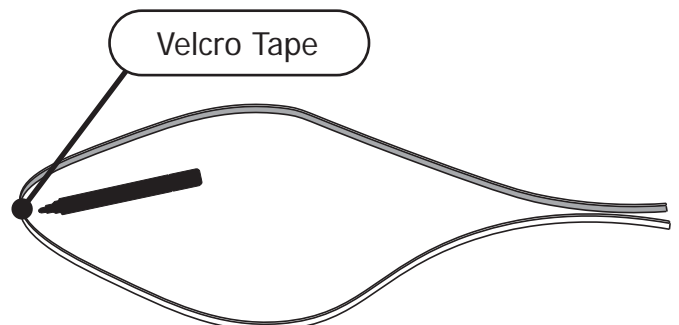
- 1 Turn all three rails so the holes on the rails face up.



- 2 To help keep the rails in place, twist each **rail ratchet knob** to activate the one-way ratchet.

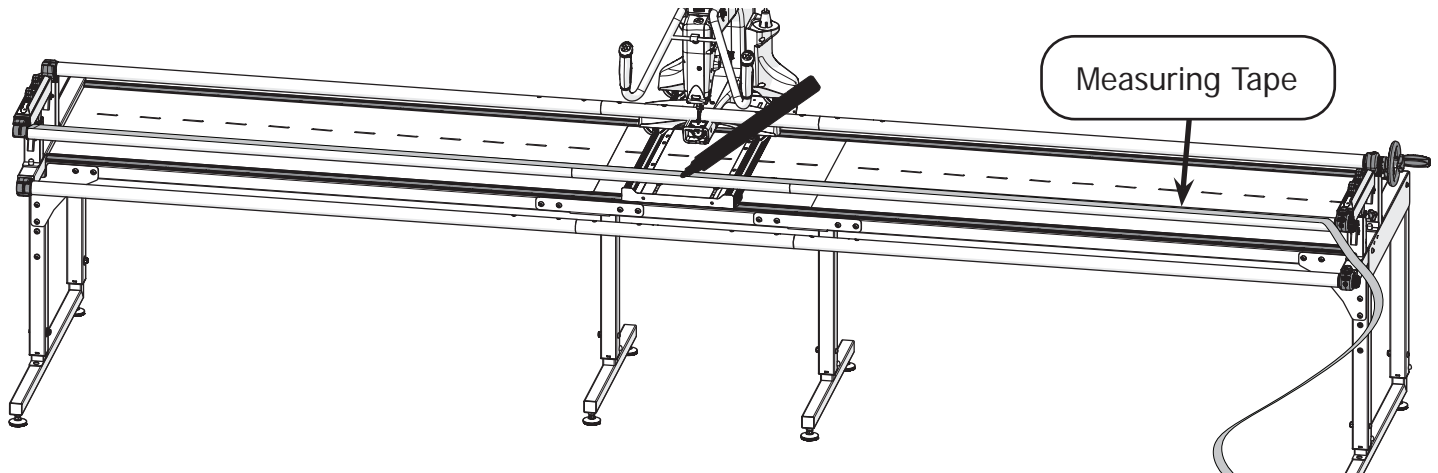


- 3 Fold the **Velcro tape** (found in the leader cloth set) in half to find and mark the center.

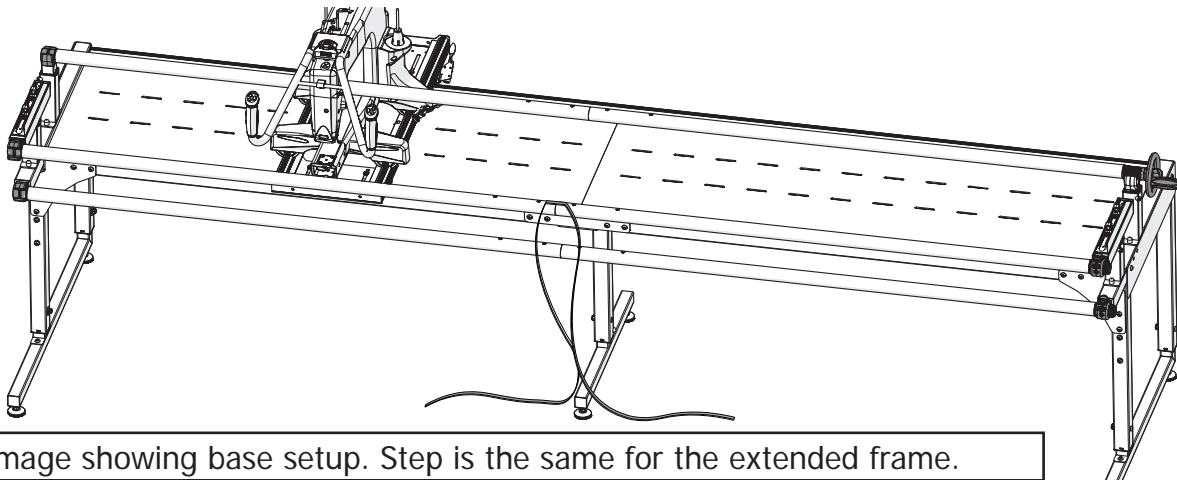


Installing the Velcro Tape (Continued)

- 4 **On all three rails:** Lay a **tape measure** flat across the rail, aligning it with the holes on the top. Find and mark the center point.

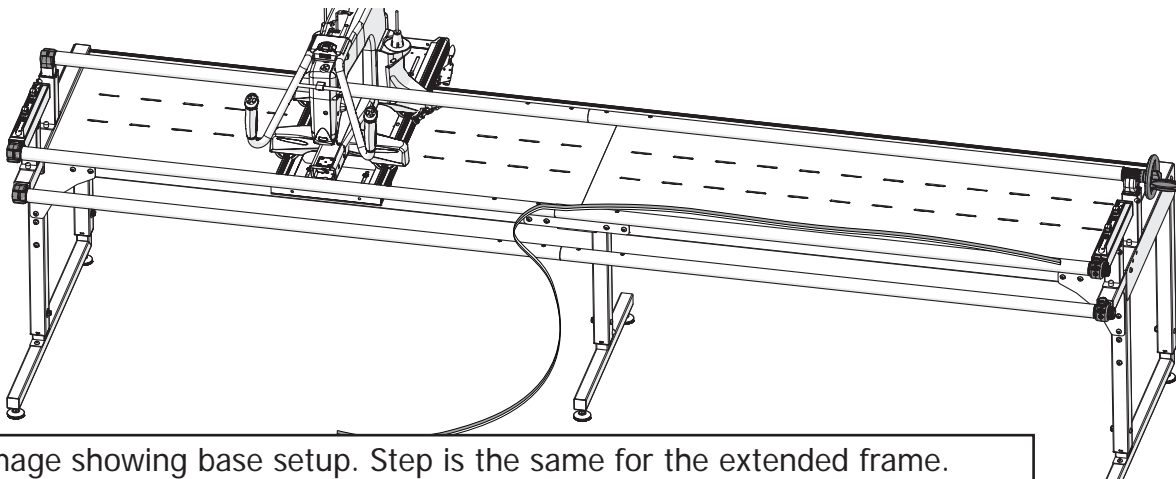


- 5 Remove some of the backing from the center of the tape and attach the tape to center of one of the rails.



Note: Image showing base setup. Step is the same for the extended frame.

- 6 Peel off some of the backing from the end of the tape. Use the holes on to rail to keep the tape straight, and attach it to the end of the rail.

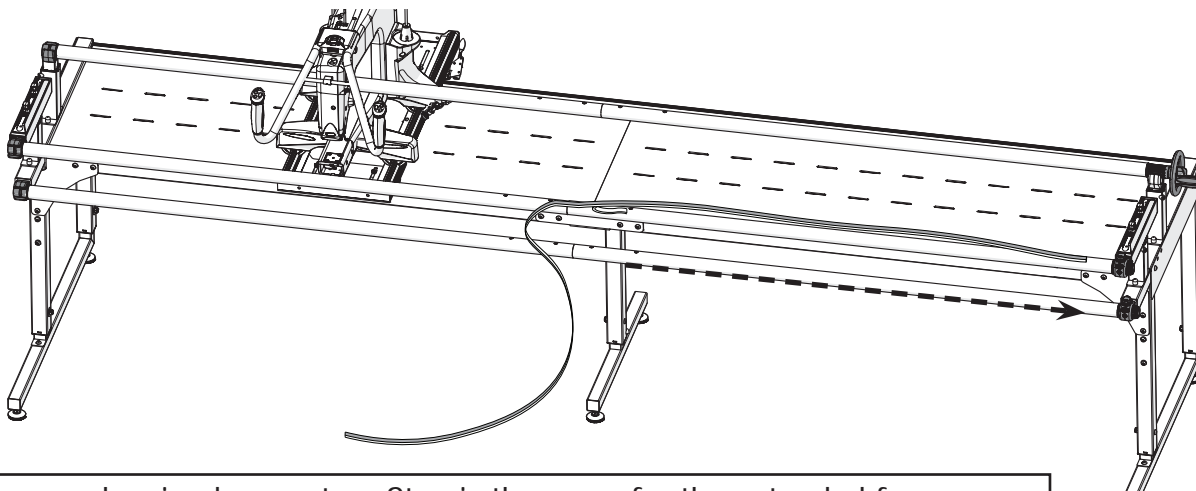


Note: Image showing base setup. Step is the same for the extended frame.

Upgrade Existing Frame

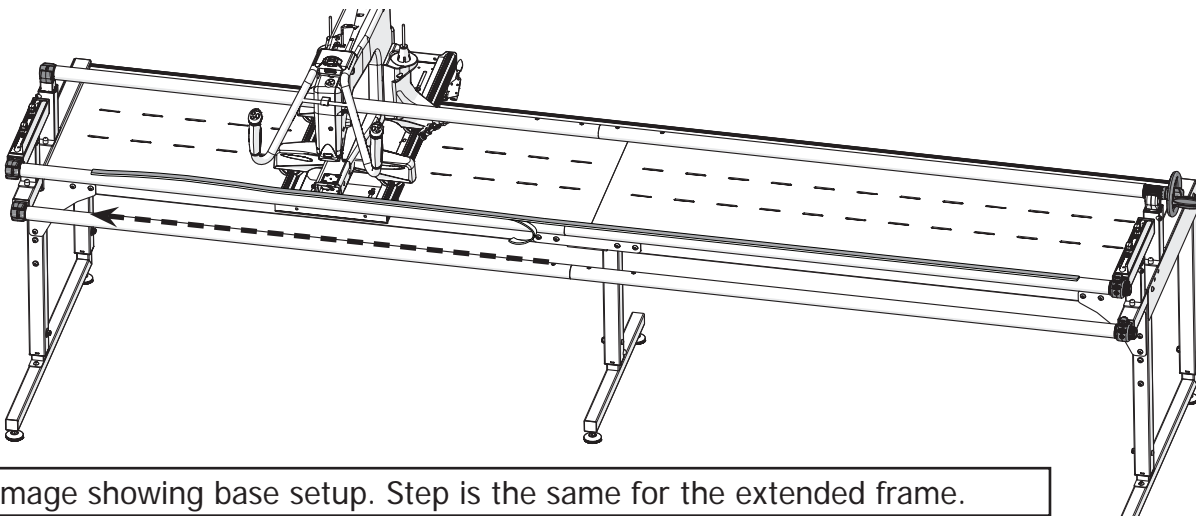
Installing the Velcro Tape (Continued)

- 7 Start from the center and carefully peel away the backing of the tape, flattening as you go.



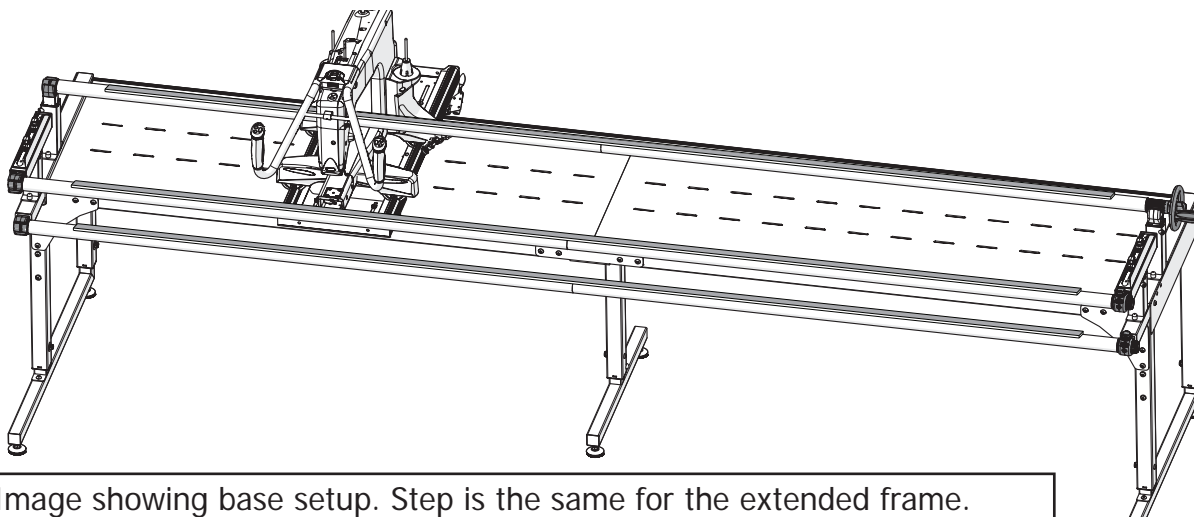
Note: Image showing base setup. Step is the same for the extended frame.

- 8 Now do the same for the other side of the rail.



Note: Image showing base setup. Step is the same for the extended frame.

- 9 Repeat steps 3–8 for the other two rails.

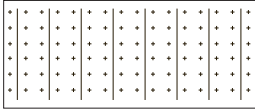


Note: Image showing base setup. Step is the same for the extended frame.

Step 9 - Installing Leader Cloth

Parts & Tools Needed:

Leader Cloths



Tape Measure (not included)

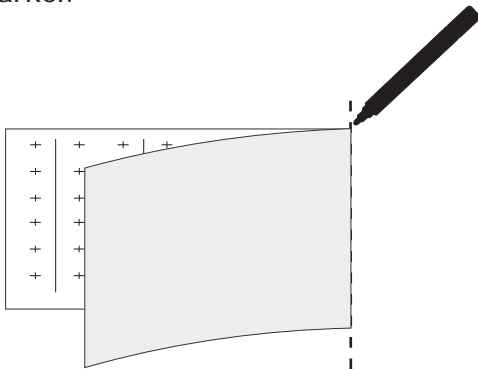


Marker (not included)

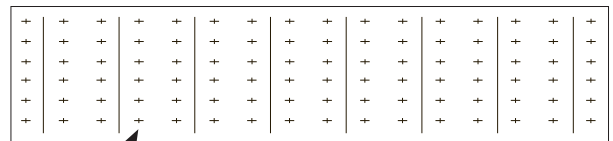
Instructions

The leader cloths attach the quilt to the frame while maximizing the quilt surface that the machine can reach.

- 1 **On all three leader cloths:** Fold each cloth in half and mark the center-mark on the front and back, top and bottom, with a marker.

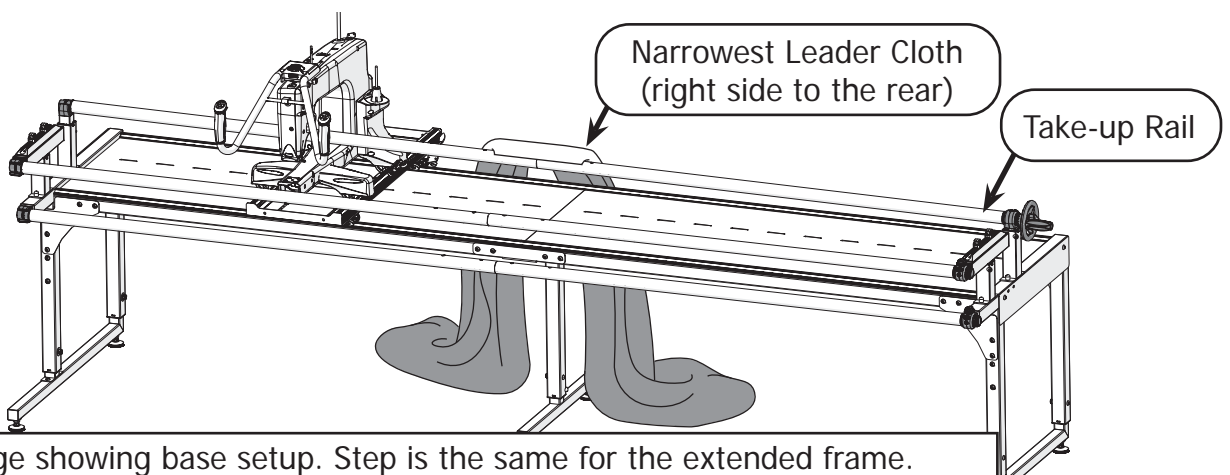


- 2 Locate the **narrowest leader cloth**.



Narrowest
Leader Cloth

- 3 Place the center of the **narrowest leader cloth** onto the Velcro tape in the center of the **take-up rail**, right side facing away from the frame.

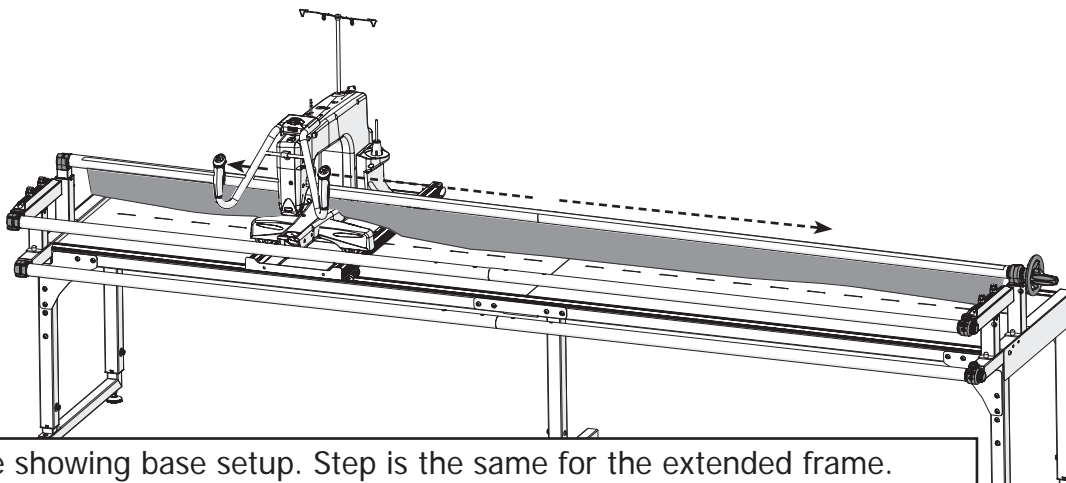


Note: Image showing base setup. Step is the same for the extended frame.

Upgrade Existing Frame

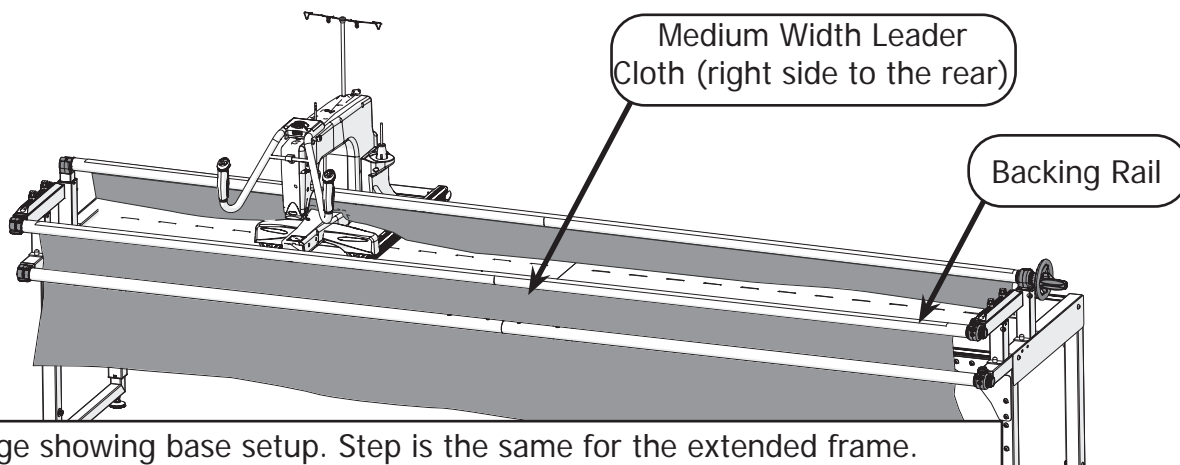
Installing the Leader Cloth (Continued)

- 4 Moving from the center outward, smooth the top edge of the leader cloth across the Velcro.



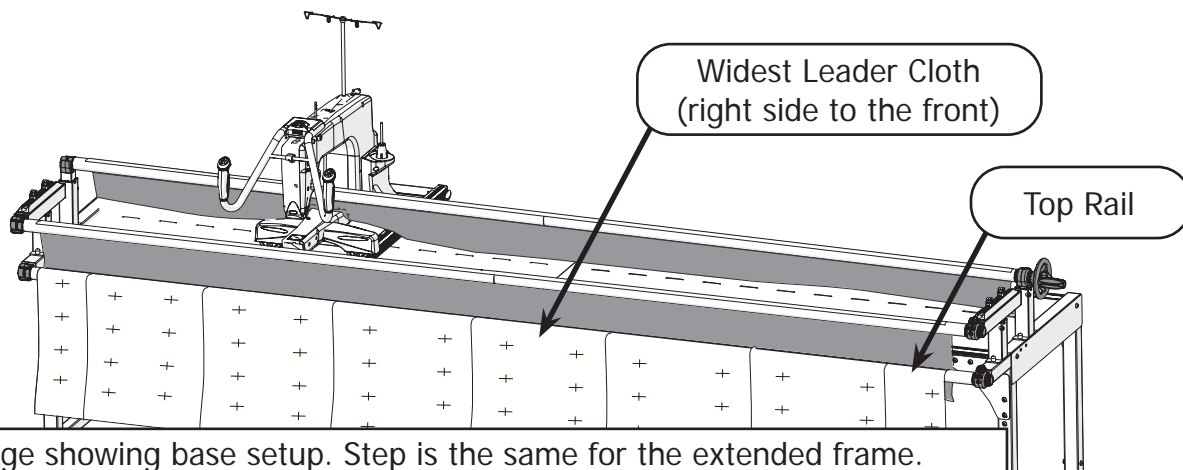
Note: Image showing base setup. Step is the same for the extended frame.

- 5 Repeat steps 3–4 for the **medium width leader cloth** on the **backing rail**.



Note: Image showing base setup. Step is the same for the extended frame.

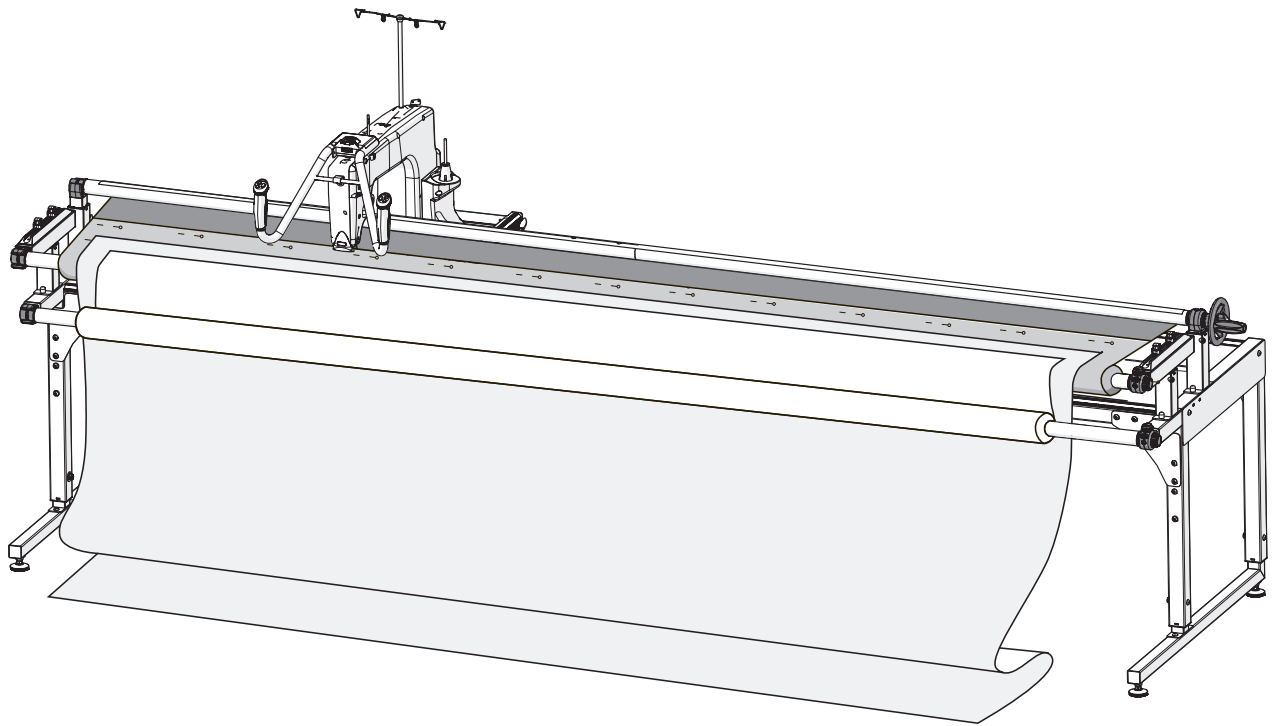
- 6 For the **widest leader cloth**, repeat steps 3–4 on the **top rail**, but drape the leader cloth over the front of the rail, right side facing the front.



Note: Image showing base setup. Step is the same for the extended frame.

Using Your Frame

This section describes how to attach fabric and how to use the channel locks.



Sizing the Quilt Backing and Batting

Parts & Tools Needed:

Pins (not included)

Fabric (not included)

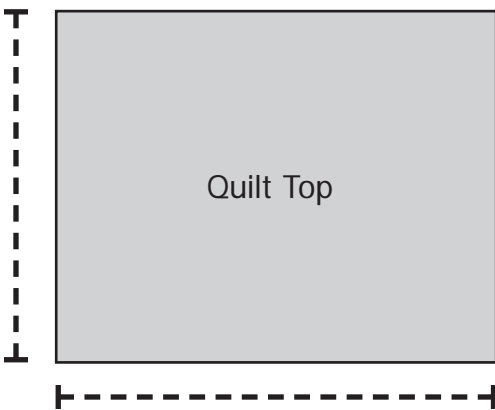


Tape Measure (not included)

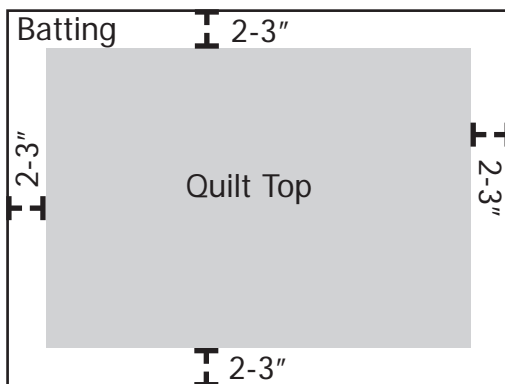
Instructions

The quilt backing and batting must be properly sized for neat quilting.

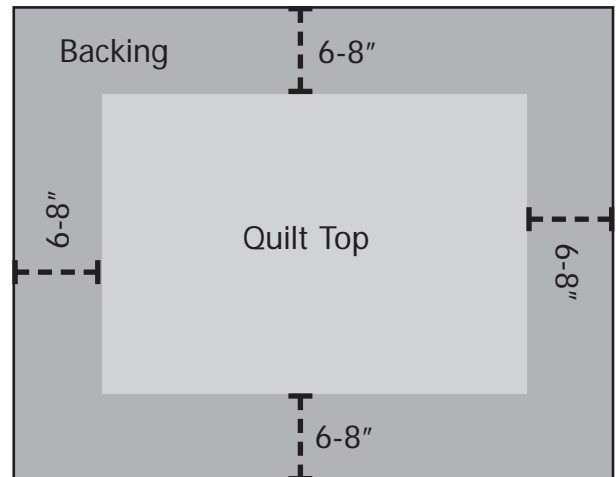
- 1 Measure the length and width of your quilt top.



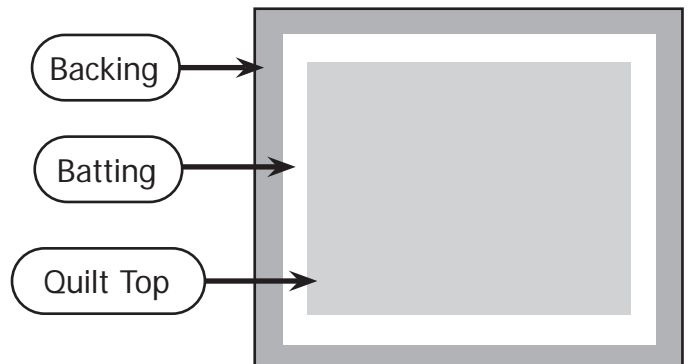
- 2 Cut your quilt batting so that it is 2-3 inches larger than the quilt top on all sides.



- 3 Cut your quilt backing so it is 6-8 inches larger than the quilt top.



- 4 Write down the lengths and widths of the batting and backing so that when you place your quilt, you can make sure it is centered and arranged as shown below.



Attaching the Fabric

Parts & Tools Needed:

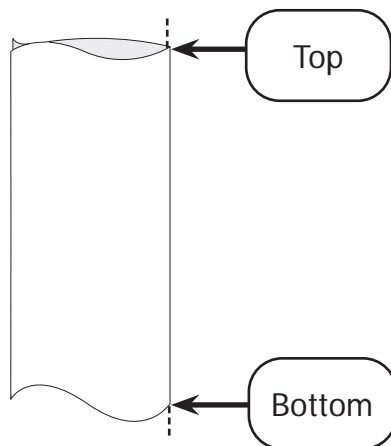
Pins (not included)

Fabric (not included)

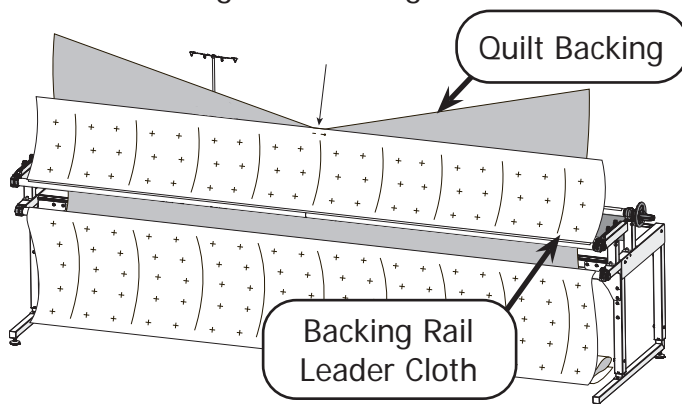
Instructions

Take the following steps to properly mount your quilt on the frame:

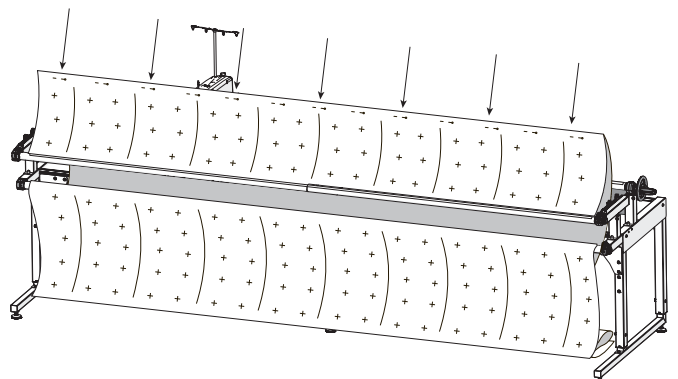
- 1 Fold your quilt's backing in half to find the center. Place a pin to mark the **top** and **bottom** center points.



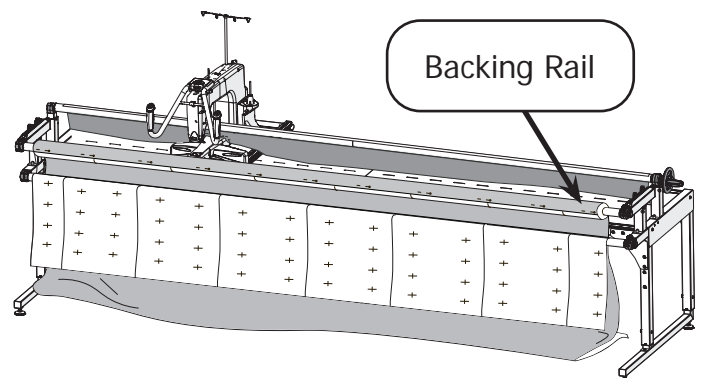
- 2 Pin the bottom center-point of your **quilt backing** to the center-point at the bottom of the **leader cloth** on the **backing rail**, with the right side facing the front.



- 3 Work from the center out and pin the edges of the quilt backing and leader cloth together.



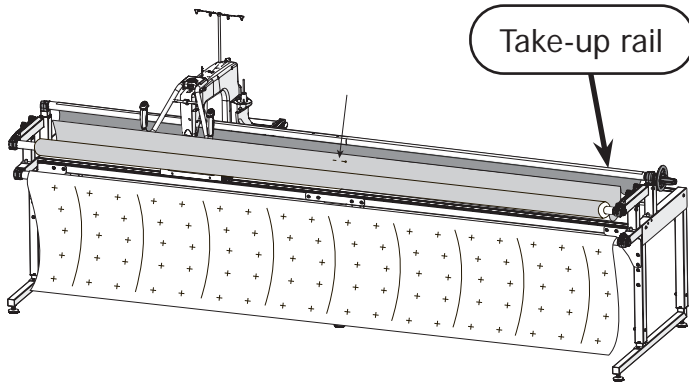
- 4 Roll the **backing rail** until the leader cloth is no longer visible. Take your time to smooth out the wrinkles and keep the backing straight.



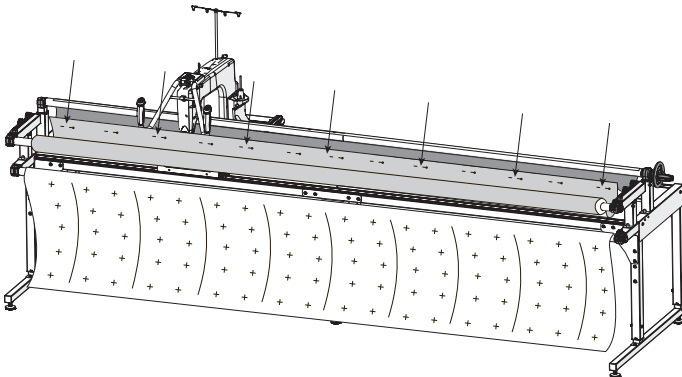
Using Your Frame

Attaching the Fabric (Continued)

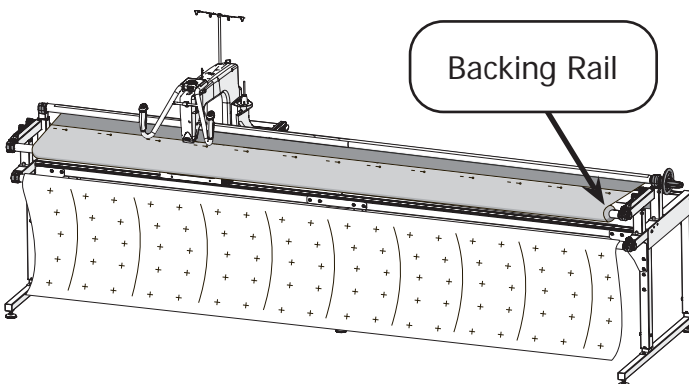
- 5 Pin the top center-point of your quilt backing to the center-point on the **take-up rail** leader cloth.



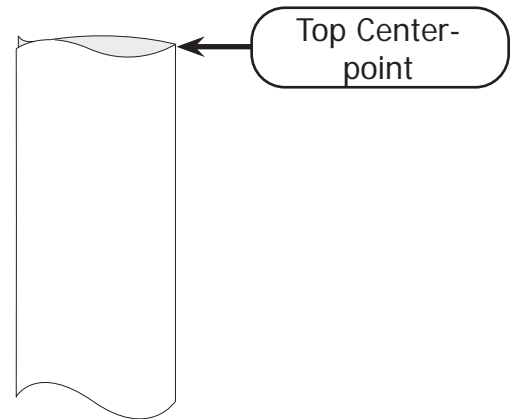
- 6 Work from the center out and pin the edges of the quilt backing and leader cloth together.



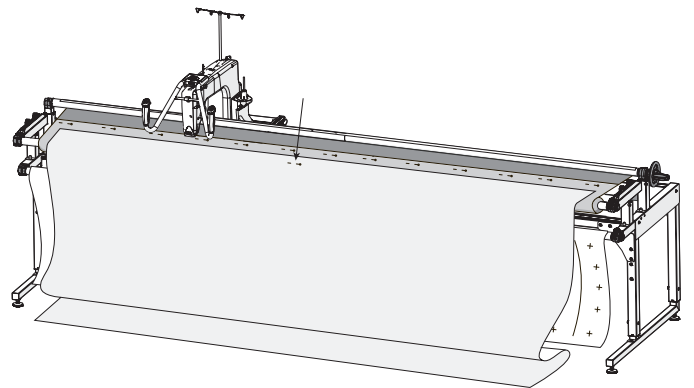
- 7 Roll the **backing rail** until the quilt backing is smooth and free of creases.



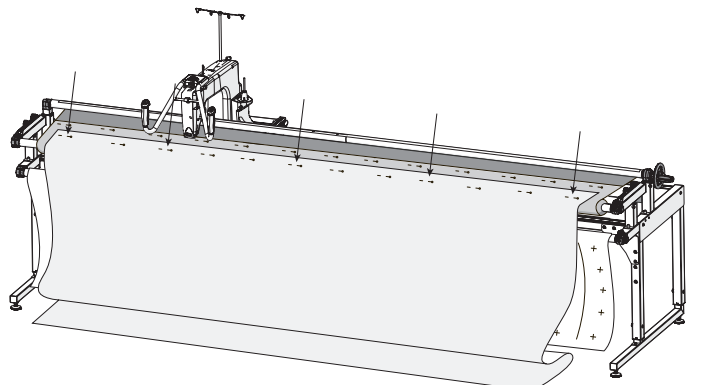
- 8 Fold your batting to locate the **top center-point**. Place a pin to mark it.



- 9 Pin the top center of your batting 4-5" below to the top center of the quilt backing.

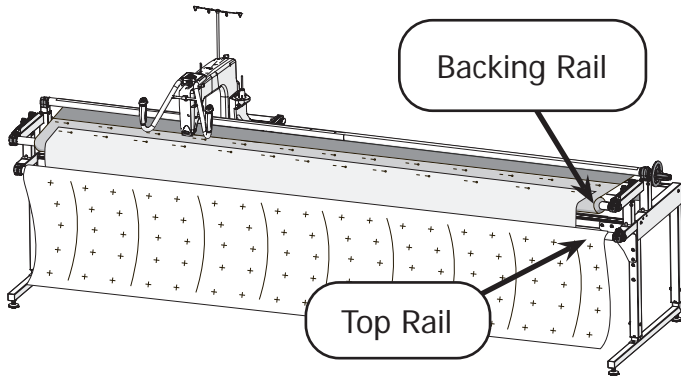


- 10 Working from the center out, pin the batting across the top edge of the quilt backing.

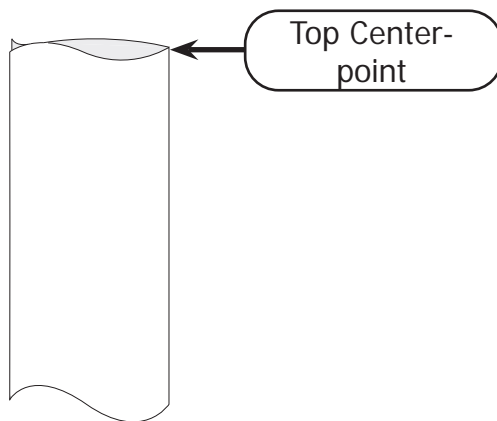


Attaching the Fabric (Continued)

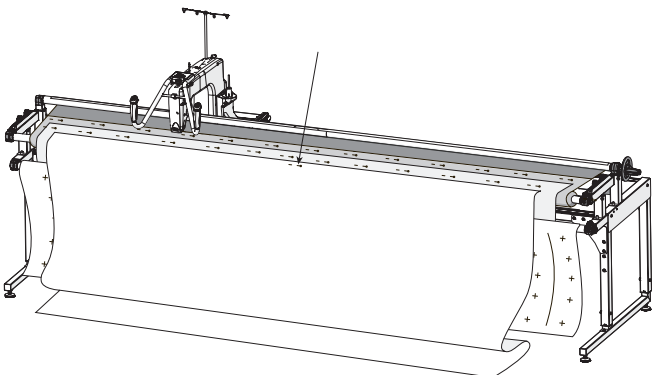
- 11 Drape the bottom of the batting between the **backing** and **top rails**.



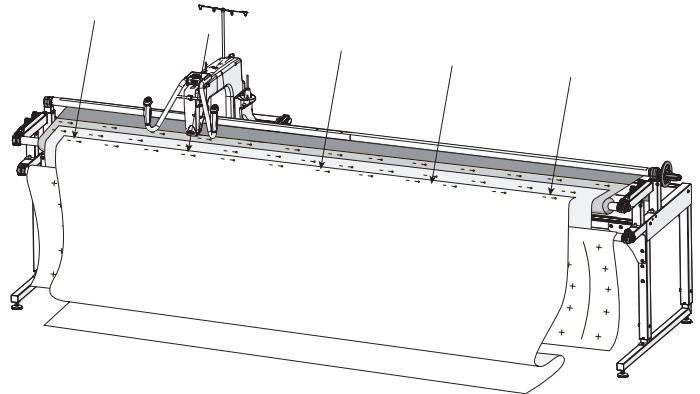
- 12 Fold your quilt top to locate the **top center-point**. Place a pin to mark it.



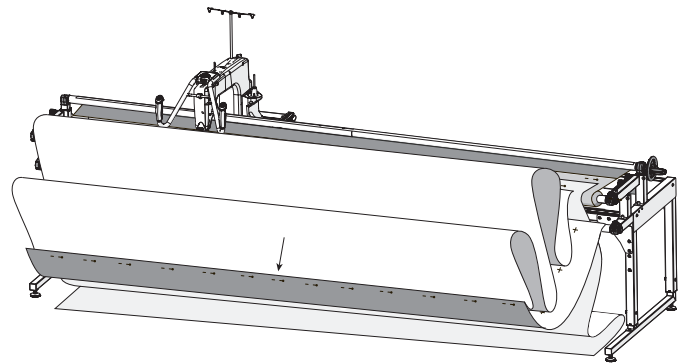
- 13 Pin the center of your quilt top 2-3" below the top center of the batting. The right side of your quilt should face up.



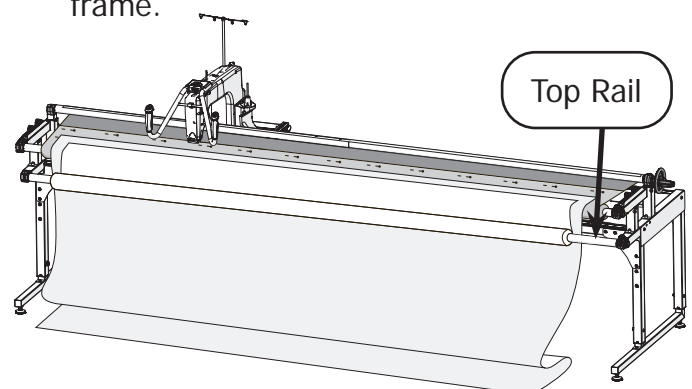
- 14 Pin down the top of the quilt from the center out.



- 15 Pin the bottom of the quilt top to the bottom of the final leader cloth. Start from the center and work outward.



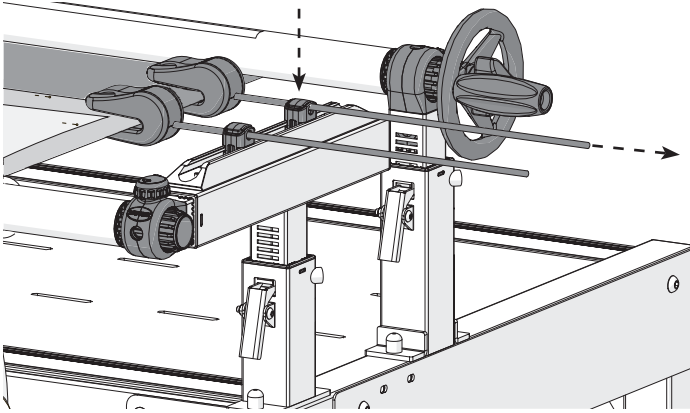
- 16 Roll the **top rail** until the quilt top is smooth and free of creases. Do not pull too tight: excess tension will cause fabric to bunch around stitches when removed from frame.



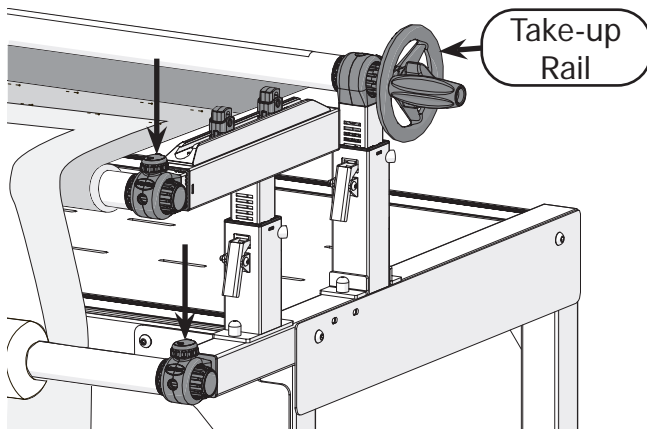
Using Your Frame

Attaching the Fabric (Continued)

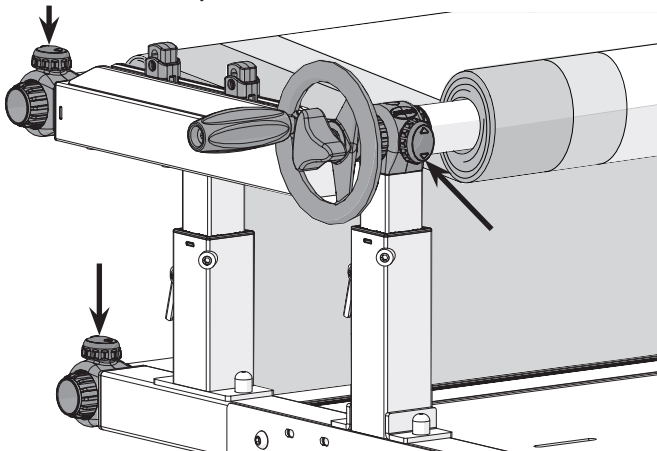
- 17 To hold up the edges of the quilt, slide the fabric into the bungee clamps. Tension by pressing down on the bungee stops and pulling the bungee tail.



- 18 Roll up your quilt as you go. Turn the top knobs on the front rails to release the quilt tension. Then ratchet up the **take-up rail**.



- 19 To return to a place you've already quilted and rolled up, loosen knobs on all the rails. Then roll up the fabric on two front rails.

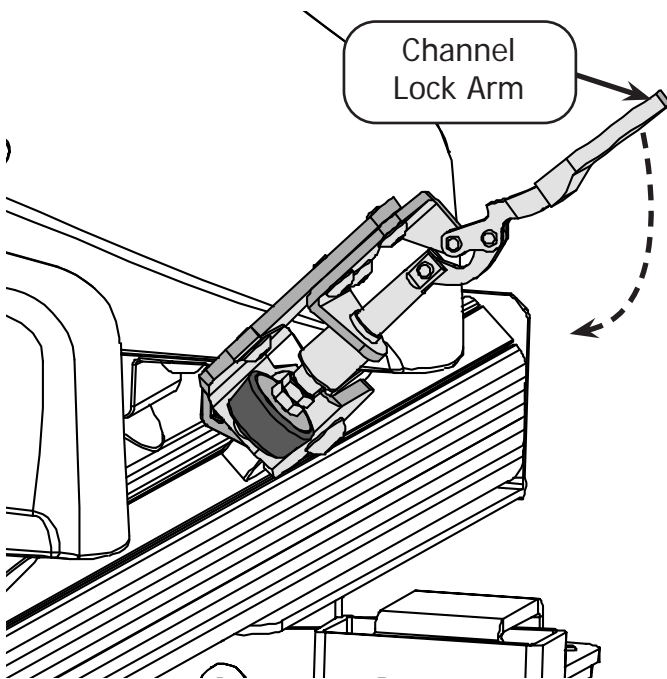


Using the Channel Locks

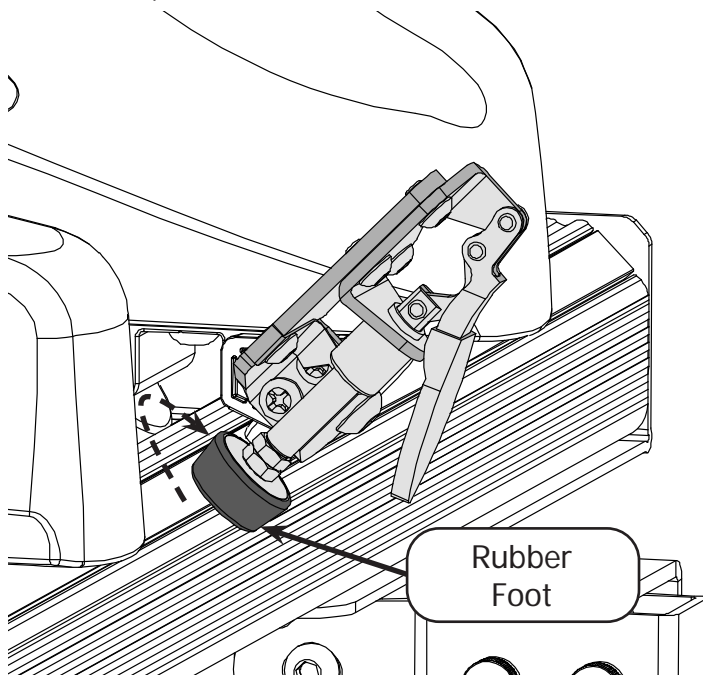
Instructions

The channel locks assist with stitching in a straight line by inhibiting the movement of the bottom carriage or machine.

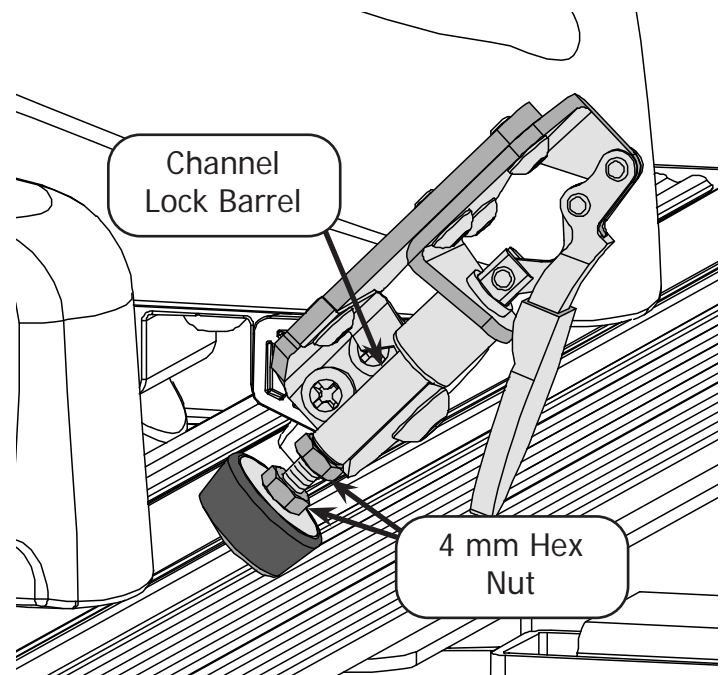
- 1 **On both channel locks:** Flip down the **arm** on the machine channel lock to close the channel lock.



- 2 **On both channel locks:** If the **rubber foot** doesn't reach the bottom carriage track, twist it to extend it until it does.



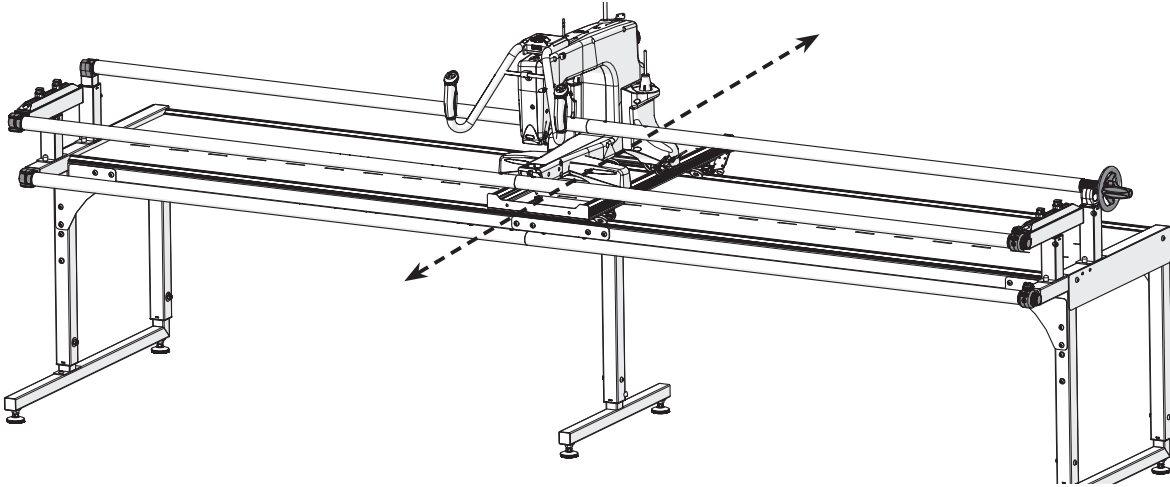
- 3 **On both channel locks:** To prevent the rubber foot from loosening over time, use needle nose pliers or a wrench to tighten the bottom **4 mm hex nut** against the rubber foot. Tighten the other hex nut against the **channel lock barrel**.



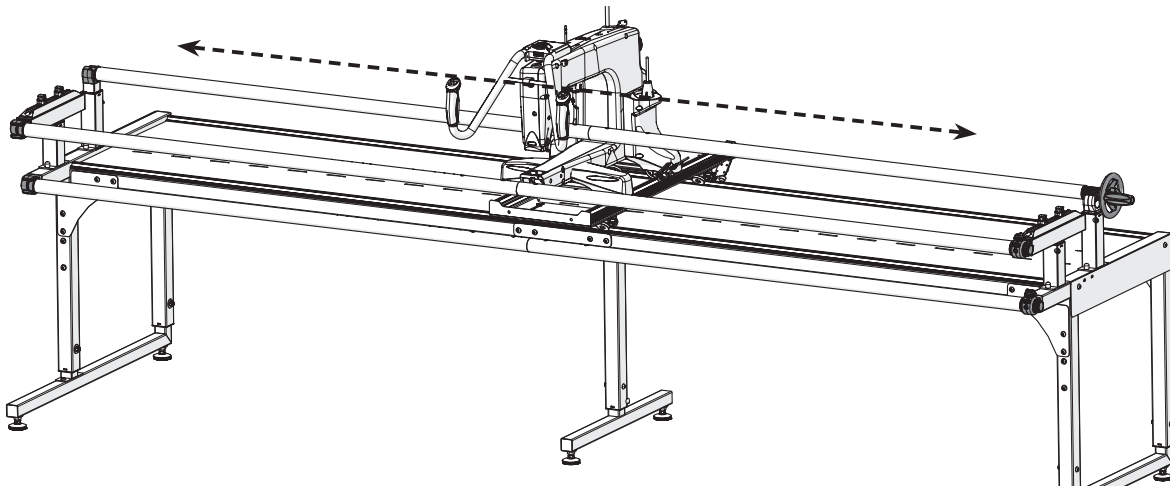
Using Your Frame

Using the Channel Locks (Continued)

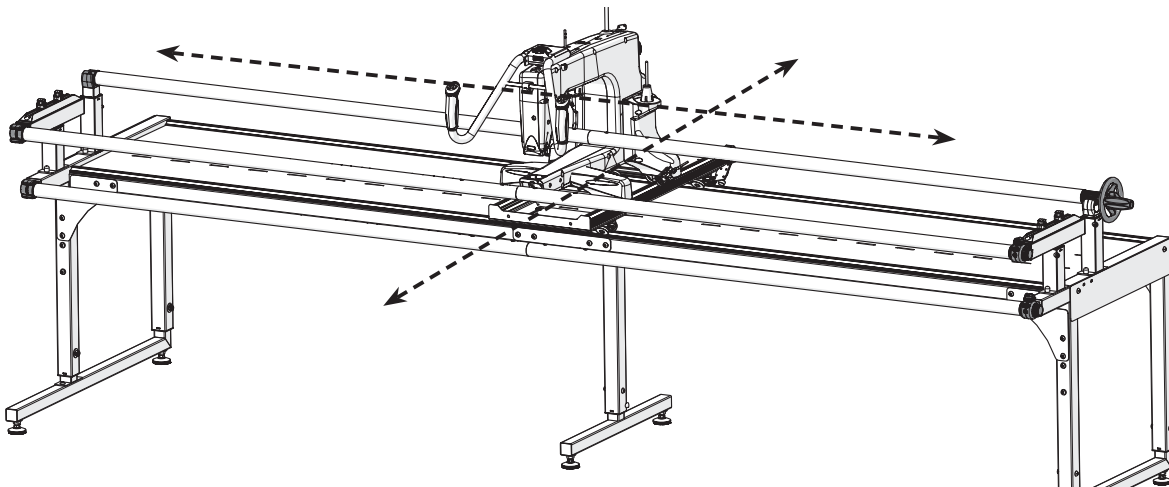
- 4 To move the machine back and forth on the bottom carriage and create a straight vertical line, close only the bottom carriage channel lock.



- 5 To move the machine across the frame and create a straight horizontal line, close only the channel lock on the machine.



- 6 Open both channel locks to resume unrestricted quilting.



The Grace Company
2225 South 3200 West
Salt Lake City, UT 84119
Phone: 1-800-264-0644
Fax: 801-908-8888
www.graceframe.com

