



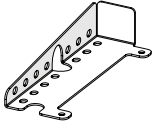
## Belt and Cable Management Kit

### Contents

Included Parts and Tools.....	2
Install the Tensioner: Top Belt Bracket .....	4
Install the Tensioner: Top Plate .....	6
Install the Velcro Belt Straps .....	8
Use the Velcro Belt Straps.....	10
Loosen the Long Belt.....	12
Install the USB Cable Retainers .....	13
Install the Cable Guide Tray .....	16

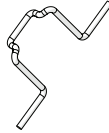
## Included Parts and Tools

### Cable Guide Tray



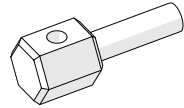
QMN-04-15178

### USB Cable Retainer (x2)



QMN-08-15176

### Retainer Screws M3 x 10 mm (x4)



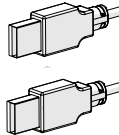
QMN-03-15177

### Zip Ties (x4)



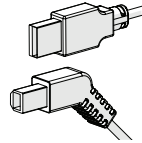
MIS-08-10804

### Male-to-Male USB Adapter



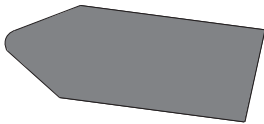
QMN-02-12763

### Q'nique to QuiltMotion USB



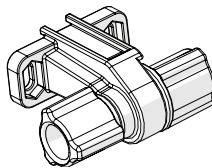
QMN-02-12764

### Velcro Belt Strap (x3)



QMN-08-15181

### Belt Tensioner



QMN-09-13193

## Tools Needed (Not Included)

**Allen Wrench 4 mm**



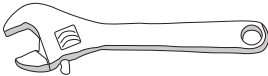
**Allen Wrench 3 mm**



**Allen Wrench 2 mm**



**Small Adjustable  
Crescent Wrench**



## Instructions

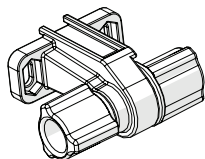
This manual contains instructions for using the items in this kit as well as other tips to manage the belts and cables used in QuiltMotion. This will make sure that your machine can move more freely when you switch between free-motion and automated quilting.

Follow the steps in this manual to correctly install and use the items in this kit.

## Install the Tensioner: Top Belt Bracket

### Parts & Tools Needed:

Belt Tensioner

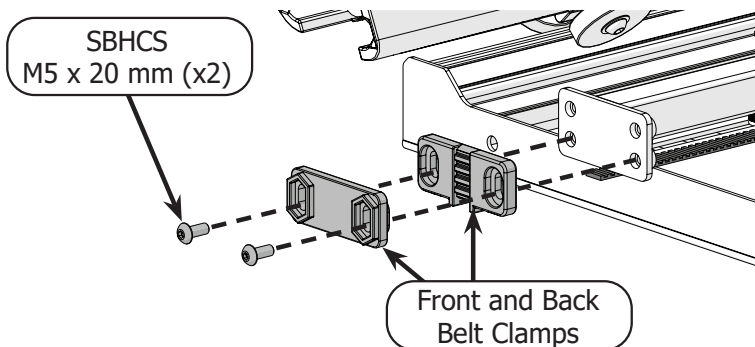


T- Handle  
Allen Wrench 3 mm

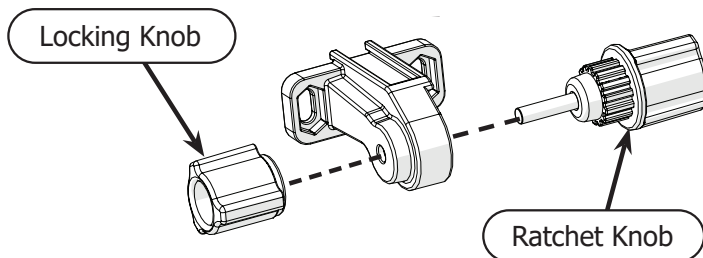


(Not Included)

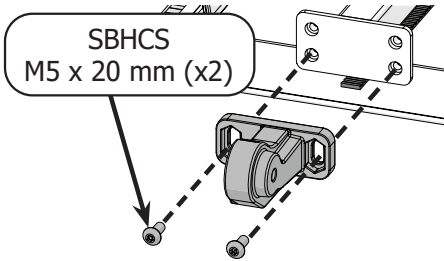
- 1 Use the 4 mm Allen wrench to remove the two **M5 x 20 mm SBHCS** and the **front and back belt clamps** from the top belt bracket.



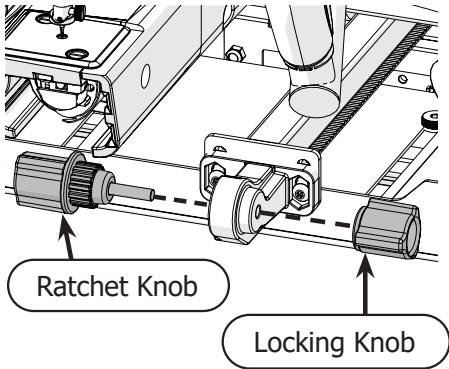
- 2 Turn the **locking knob** of the belt tensioner to loosen and remove both the locking knob and the **ratchet knob**.



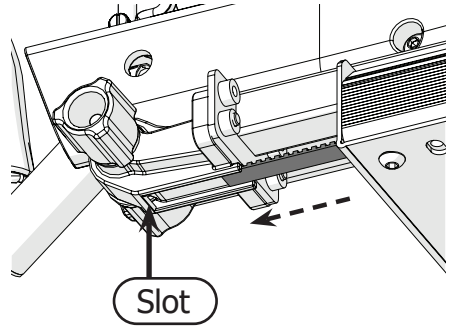
- 3 Install the tensioner in the place of the clamp with the curve up. Use the two **M5 x 20 mm SBHCS** and the 3 mm Allen wrench.



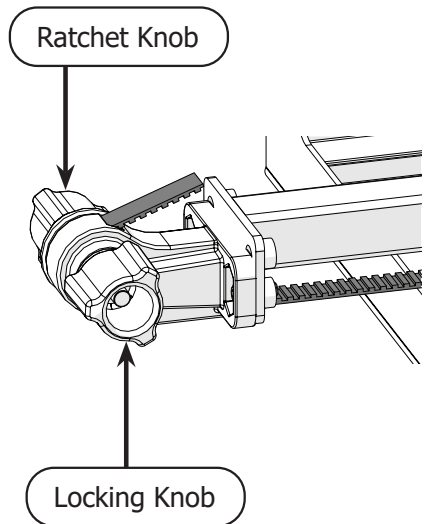
- 4 Screw the **ratchet** and **locking knobs** back onto the tensioner.



- 5 Feed the end of the short belt into the **slot** underneath the front tensioner.



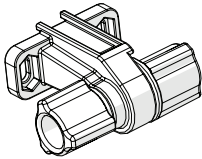
- 6 Turn the **ratchet knob** to pull the belt through the tensioner. Turn the **locking knob** to lock it into place.



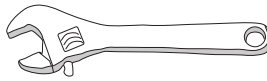
## Install the Tensioner: Top Plate

### Parts & Tools Needed:

Belt Tensioner

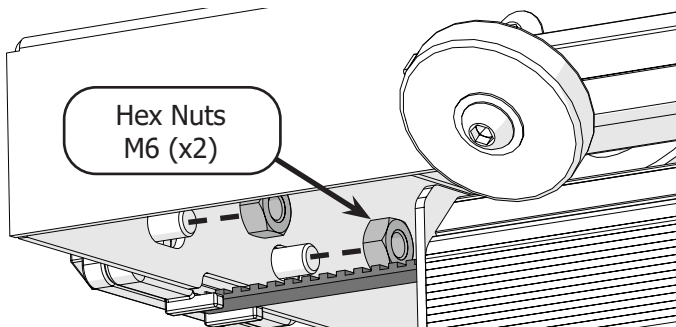


Small Adjustable  
Crescent Wrench

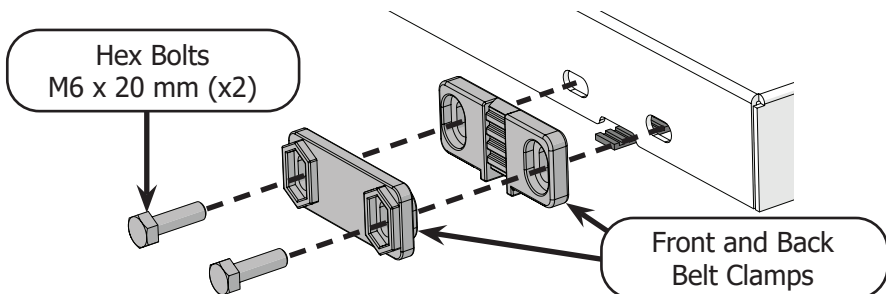


(Not Included)

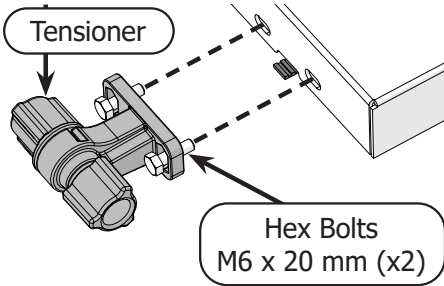
- 1 Use the crescent wrench to remove the two **M6 hex nuts** from underneath the front of the top plate.



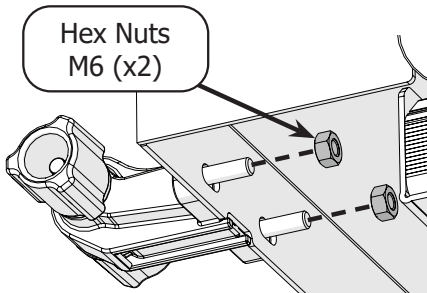
- 2 Remove the two **M6 x 20 mm hex bolts** and the **front and back belt clamps**.



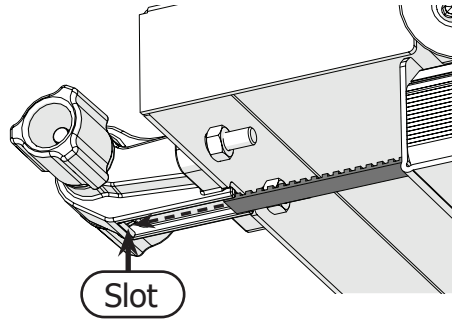
- 3 Attach the **tensioner** in place of the clamps with the curve down. Use the two **M6 x 20 mm hex bolts**.



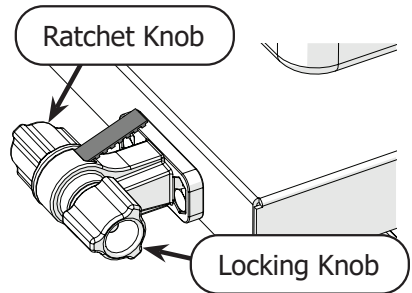
- 4 Fasten the tensioner in place using the crescent wrench and the two **M6 hex nuts**.



- 5 Feed the end of the short belt into the **slot** underneath the front tensioner.



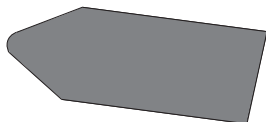
- 6 Turn the **ratchet knob** to pull the belt through the tensioner. Turn the **locking knob** to lock it into place.



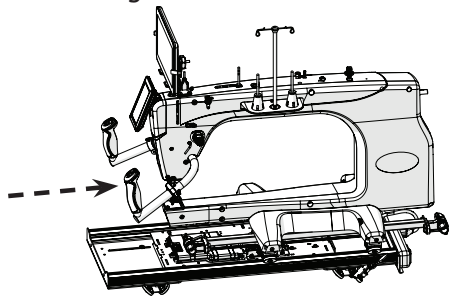
## Install the Velcro Belt Straps

### Parts & Tools Needed:

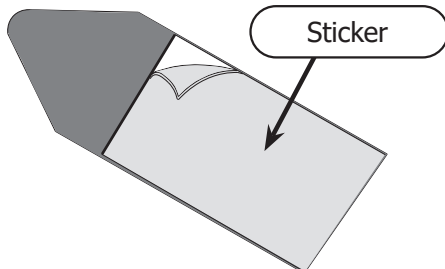
Velcro Belt Strap  
(x3)



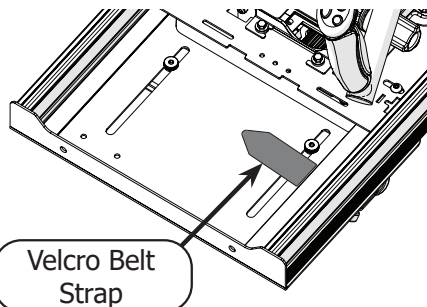
- 1 Roll your machine or top plate backwards so you can access the front of your bottom carriage.



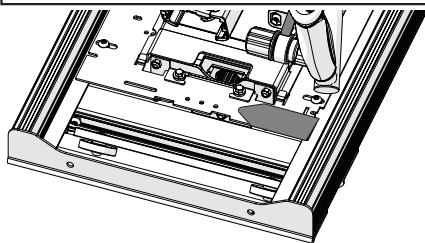
- 2 Remove the **sticker** from the bottom of one of the velcro belt straps.



- 3 Place the **velcro belt strap** adhesive side down on the right side of the front end plate.

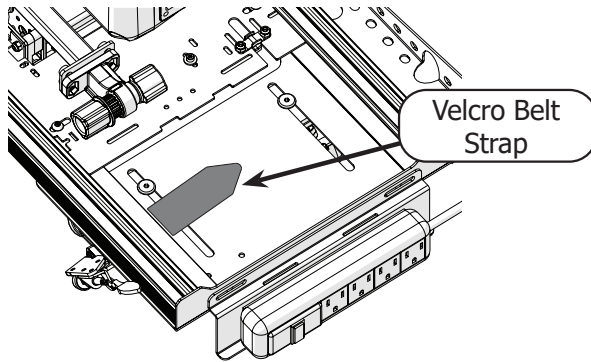


**Note:** If you are using a bottom carriage that does not have end plates, you may attach the velcro belt strap to the front edge of the motor plate.

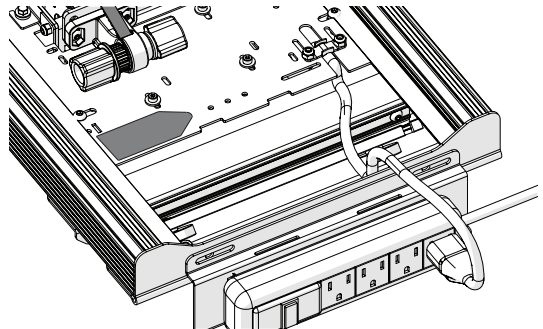




- 4 Place the **velcro belt strap** adhesive side down on the side of the end plate with the tensioner.



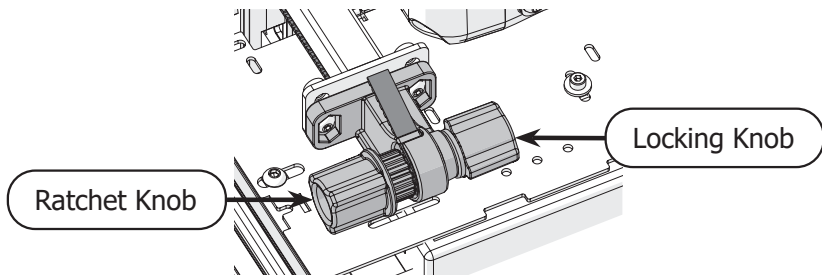
**Note:** If you are using a bottom carriage that does not have end plates, you may attach the velcro belt strap to the rear edge of the motor plate.



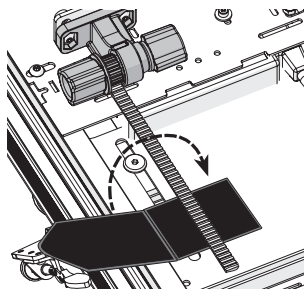
## Use the Velcro Belt Straps

If you want quilt without using the automation, follow these steps to remove the short belt from the tensioners and place them in the velcro belt straps.

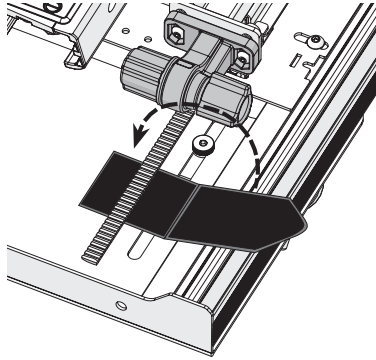
- 1 With the machine pulled forward, turn the **locking knob** on the rear tensioner to unlock the belt. Turn the **ratchet knob** to pull the belt out of the tensioner.



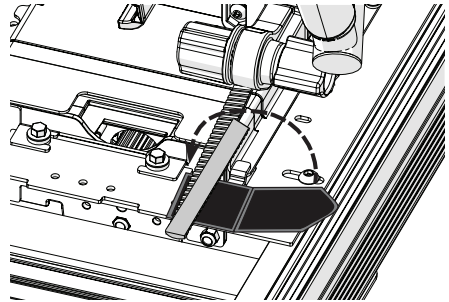
- 2 Open the velcro strap and place the loose end of the short belt inside. Close the strap over the belt to hold it in place.



- 3 Pull the machine towards the rear of the carriage and repeat steps 1-2 for the front end of the short belt.



**Tip:** If your velcro straps are on the motor plate you can fold the belt back again to help secure the extra belt in place.

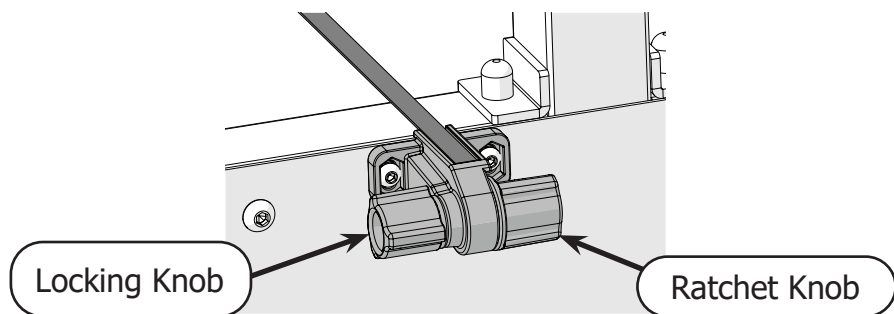


- 4 Make sure to return the short belt to the tensioners and re-tighten before starting QuiltMotion again.

## Loosen the Long Belt

If you want to quilt without using the automation, follow these steps to loosen the long belt so that your machine can glide more freely across the frame.

- 1 Turn the ratchet knob to slightly loosen the long belt and turn the locking knob to lock in place.



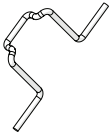
- 2 Make sure to re-tighten the belt before starting QuiltMotion again.

## Install the USB Cable Retainers

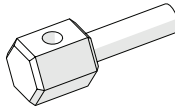
(For Q'nique 15 inch and 21 inch Machines)

### Parts & Tools Needed:

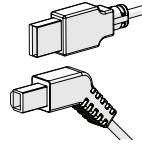
USB Cable Retainer (x2)



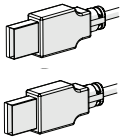
Retainer Screws  
M3 x 10 mm (x4)



Q'nique to  
QuiltMotion USB



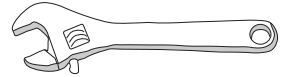
Male-to-Male  
USB Adapter



T-handle Allen  
Wrench 2 mm



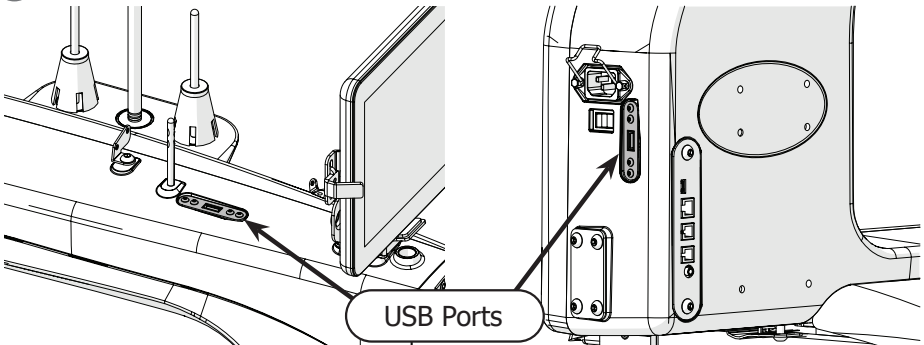
Small Adjustable  
Crescent Wrench



(Not Included)

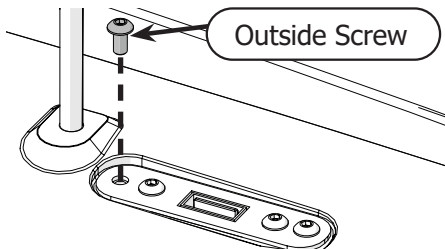
(Not Included)

- 1 Locate the two **USB ports** on the top and the rear of the machine



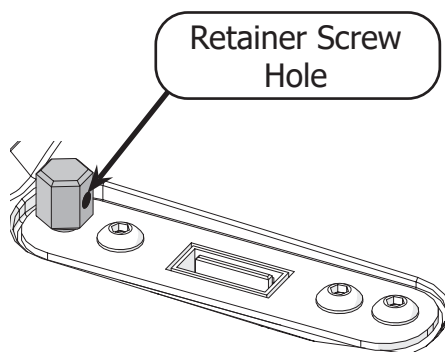
# QuiltMotion

- 2 Use the 2 mm Allen wrench to remove **one** of the **outside screws** for the top USB port.

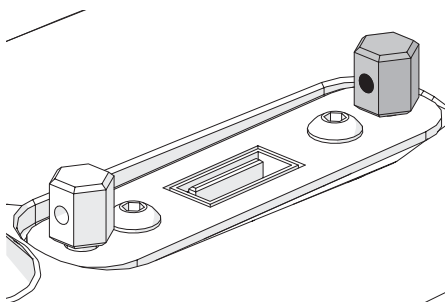


**Note:** DO NOT remove the inside screws.

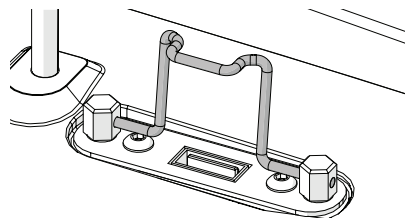
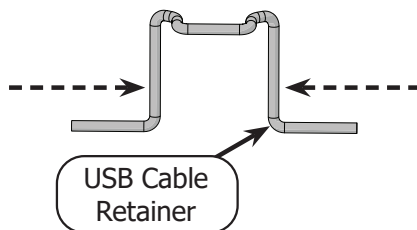
- 3 Replace the screw you just removed with one of the **retainer screws**. Tighten with the crescent wrench so that the **retainer hole** in the top of the screw faces the USB port.



- 4 Repeat steps 2-3 for the other outside screw.

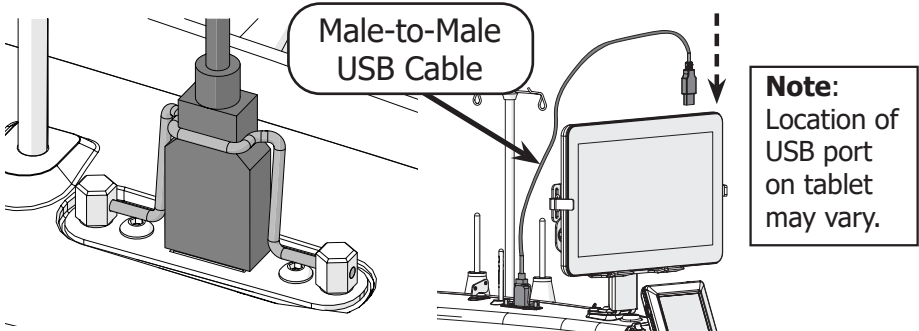


- 5 Pinch the sides of the **USB cable retainer** and insert the ends into the holes in the retainer screws.

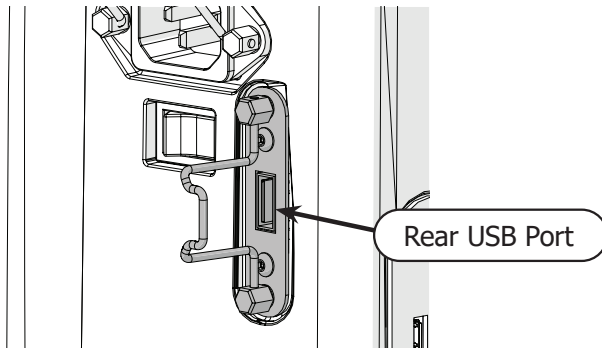


**Note:** The retainer may slide out of one of the retainer screws, and you may need to re-insert it back into the screw. It will stay in place once the USB is plugged in.

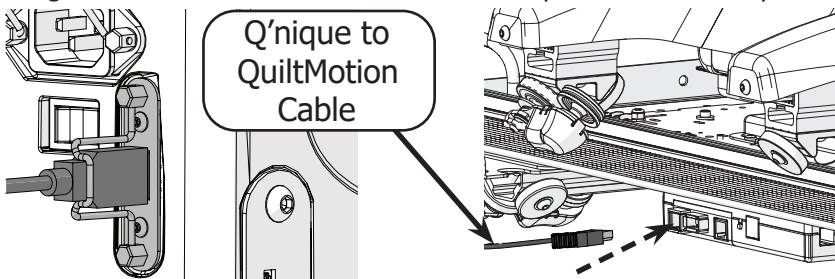
- 6 Plug the **male-to-male USB cable** into the port and lift the retainer to wrap around the cable and hold it in place. Plug the other end into your tablet.



- 7 Repeat steps 2-5 for the **rear USB port**.



- 8 Plug the USB end of the Q'nique to QuiltMotion cable into the rear USB port and lift the retainer to wrap around the cable and hold it in place. Plug the other end of the cable into the left port of the motor plate.

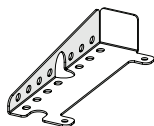


## Install the Cable Guide Tray

(For Continuum and G-Series Bottom Carriages)

### Parts & Tools Needed:

Cable Guide Tray



Zip Ties (x4)



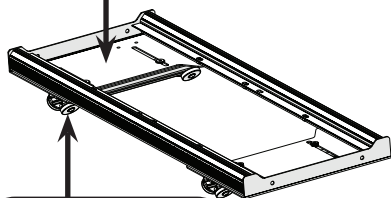
T- Handle  
Allen Wrench 4 mm



(Not Included)

Continuum Bottom  
Carriage

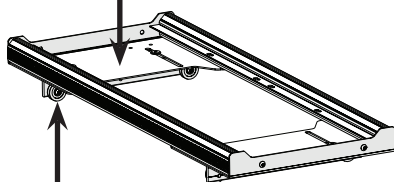
Large End Plates



Dual Wheels

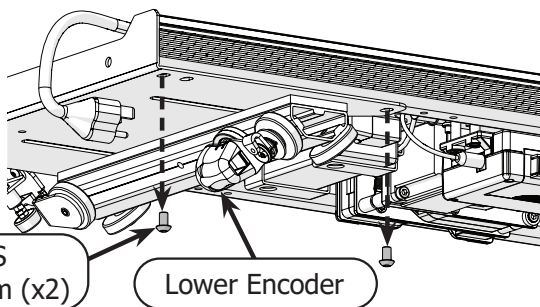
G-Series Bottom  
Carriage

Large End Plates



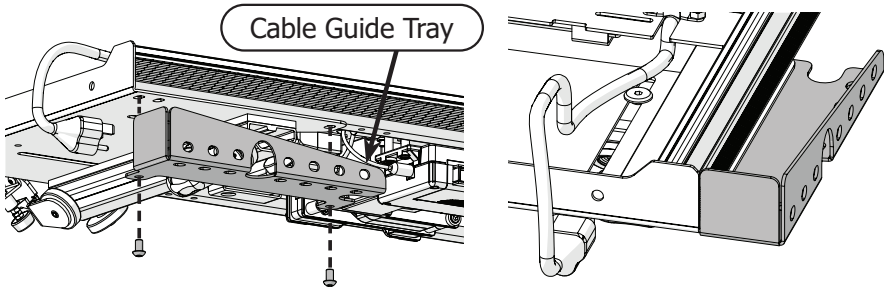
Single Wheels

- 1 Use the 4 mm Allen wrench to remove the two **M6 x 10 mm SBHCS** from the left rear of the bottom carriage by the **lower encoder**.

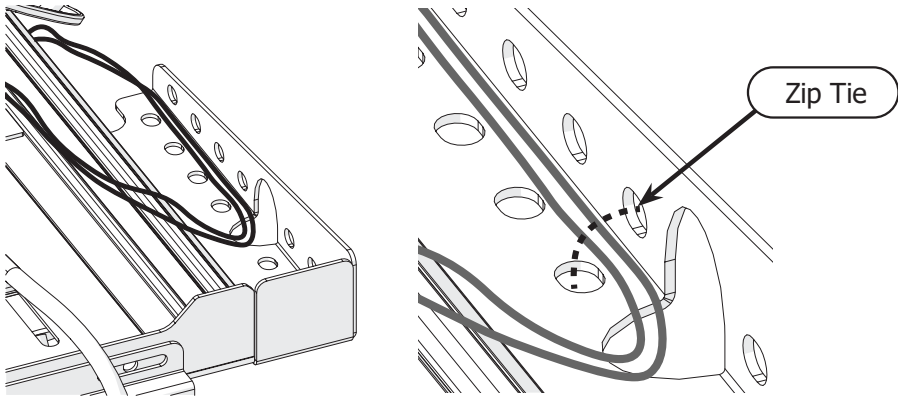




- 2 Attach the  **cable guide tray**  to the carriage with the two M6 x 10 SBHCS and the 4 mm Allen wrench.



- 3 Lay the cables into the corner of the tray. Loop a  **zip tie**  through the holes in the side and bottom of the tray and close the zip tie to hold the cables in place.



QuiltMotion

**The Grace Company**  
**Phone: 1-800-264-0644**  
**[www.graceframe.com](http://www.graceframe.com)**

