

# Bungee Clamp Instructions

**Operation:** Slip the fabric and batting into the mouth of the bungee clamp (Fig. 3 and Fig. 4).

To release tension on the clamp, press the bungee release lever (Fig. 1 and Fig. 2).

To tighten the bungee, press the button on the bungee stop (Fig. 1) and pull back on the cord.

**Attach to frame:** Remove the bungee stop from the cord. Pass the cord through the bungee mounting holes on the left and right sides of your frame. Re-install the bungee stop onto the cord. See frame instruction manual for details. Cutie Frame instructions on back.

**Note:** Bungee mounting brackets on frame vary according to frame model.

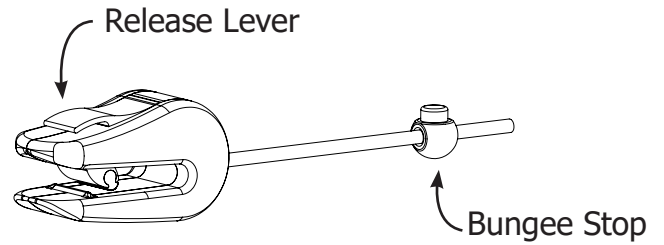


Fig. 1

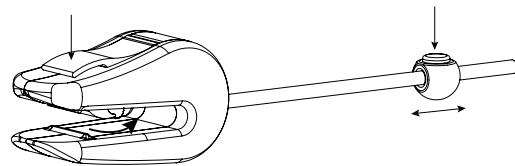


Fig. 2

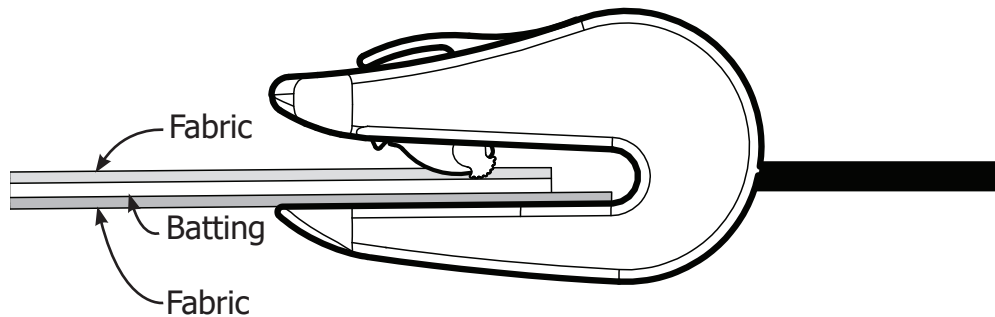


Fig. 3

**Note:** If the clamp lever is on the batting layer, flip the clamp over so that the lever is gripping the fabric layer instead of the batting (Fig. 4).

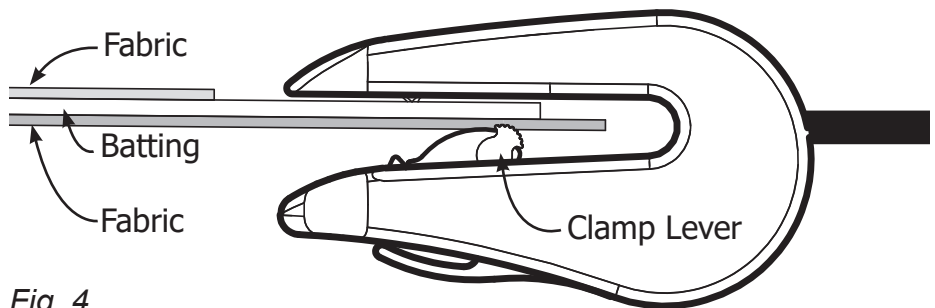


Fig. 4

### For installation on the Cutie Frame:

1. Install side rail clip onto the side rail upside down (Fig. 5).
2. Pinch the clip and press the bungee mount onto it (Fig. 6). Note: Bungee mounts may be stored on the bungee mount holders when not in use.
3. Press on the bungee stop and remove it from the cord (Fig. 1).
4. Thread the bungee cord through the hole in the bungee mount. Press the bungee stop and then thread the bungee cord back through the stop. Pull the cord to tension it (Fig 7).
5. Repeat for remaining three bungees if desired.

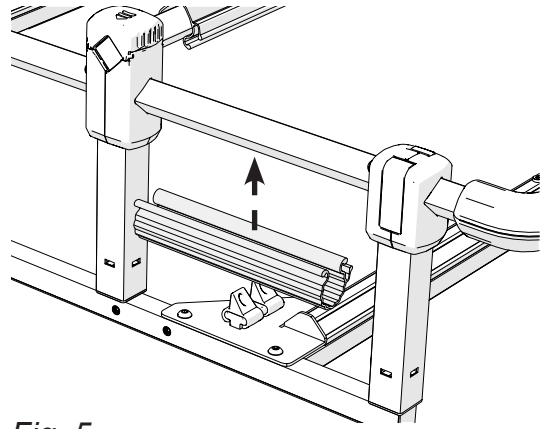


Fig. 5

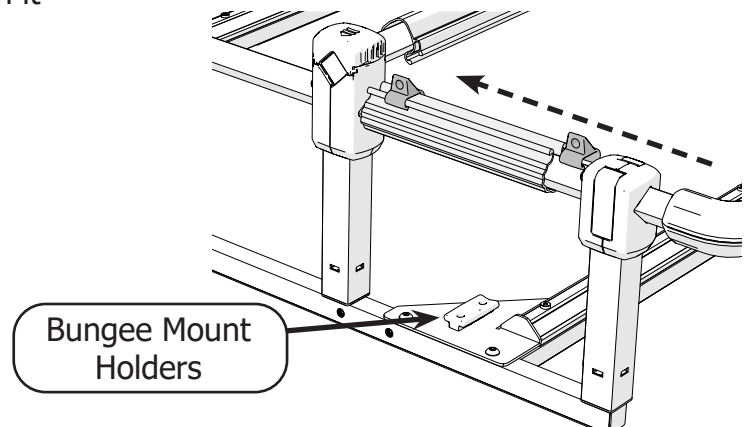


Fig. 6

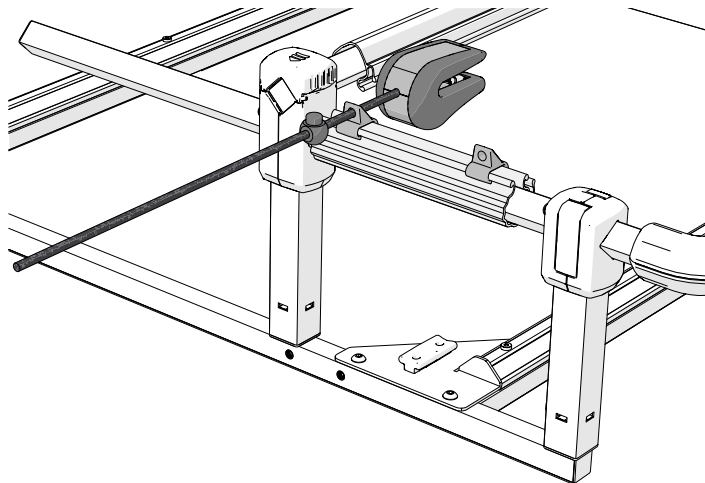


Fig. 7