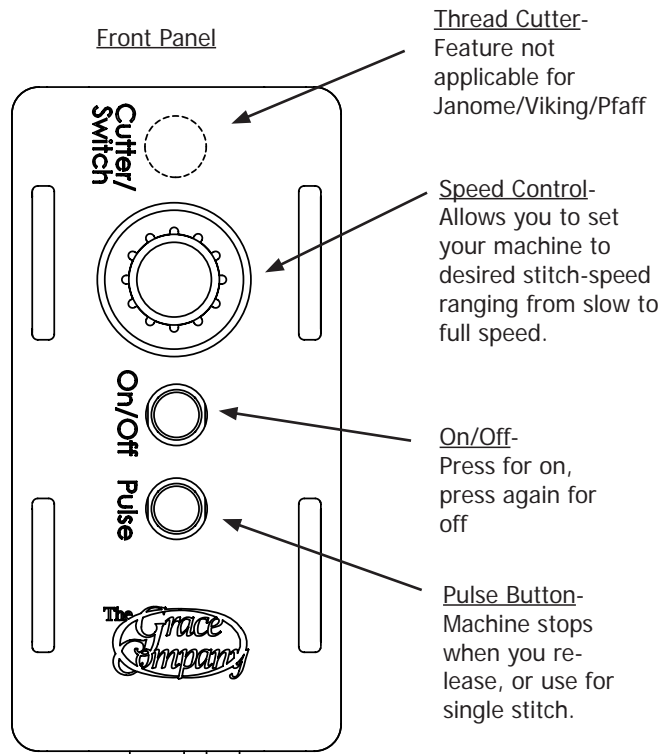
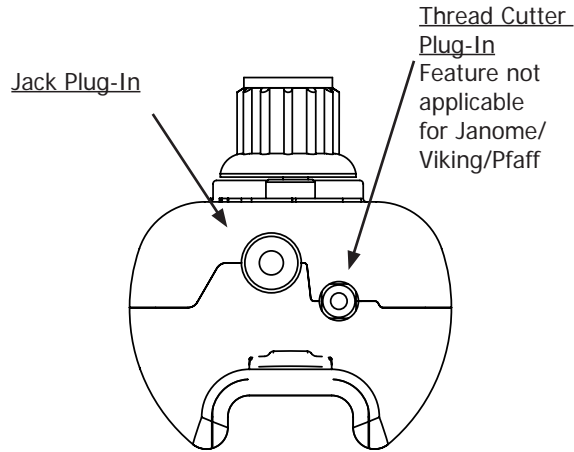


# Grace Speed Control

The Grace Speed Control is designed to work with almost any sewing machine.

Connecting to your sewing machine:



Thread Cutter-  
Feature not applicable for Janome/Viking/Pfaff

Speed Control-  
Allows you to set your machine to desired stitch-speed ranging from slow to full speed.

On/Off-  
Press for on, press again for off

Pulse Button-  
Machine stops when you release, or use for single stitch.

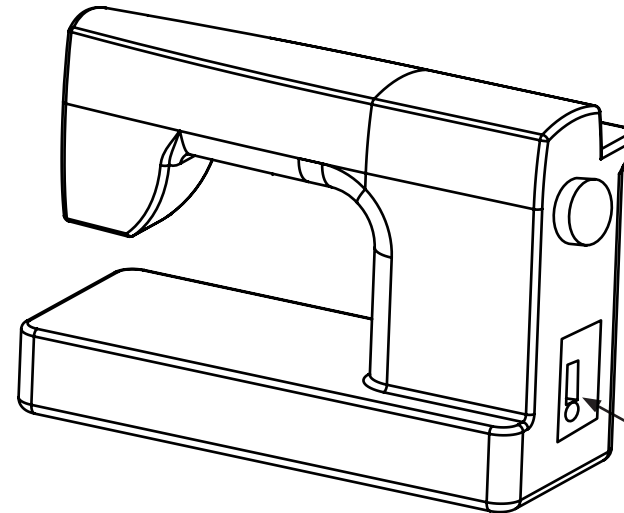
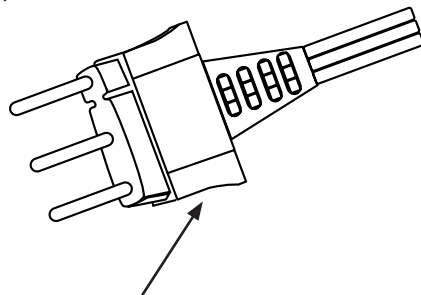
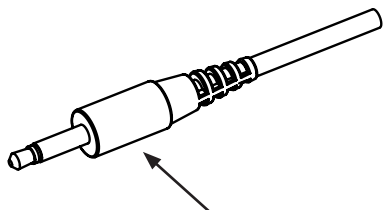
For Technical Assistance please contact:

The Grace Company  
1-800-264-0644

\*The Grace Speed Control Switch is compatible with most DC-powered machines. DC-powered machines usually have a separate foot pedal plug in and power cord plug in.\*

Janome 1600 / Viking Mega Quilter / Pfaff Grand Quilter

Jack Plug-In



Sewing Machine Plug-In