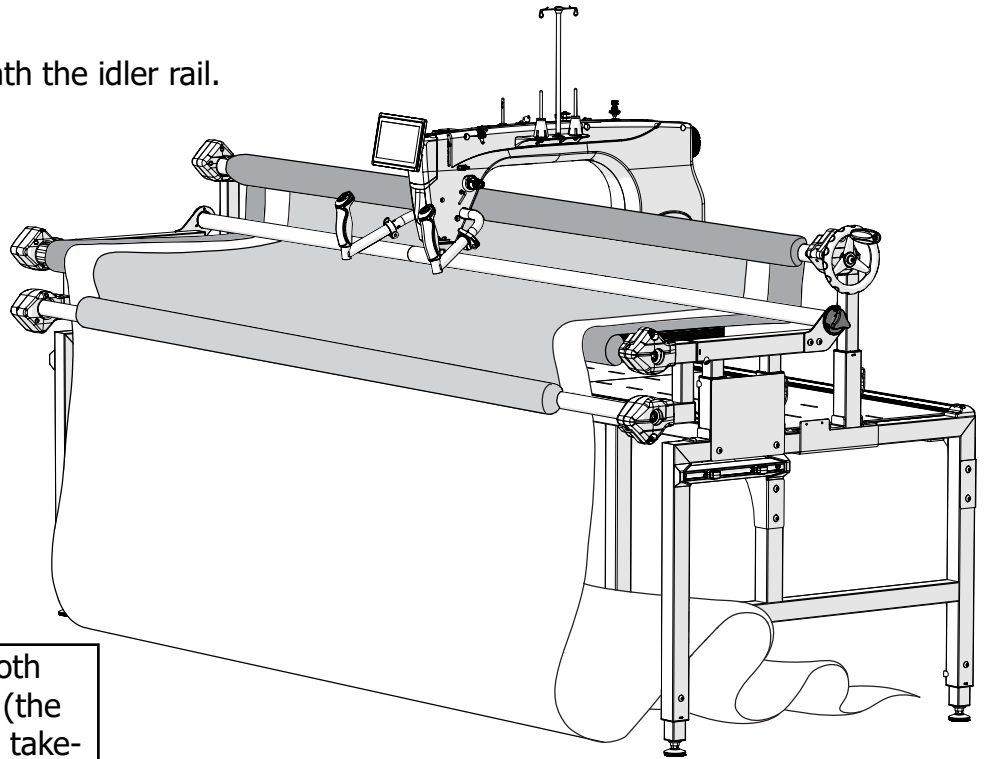


# Evolution Elite Accessory Rail Addendum V1.0

Please review the information below after completing the assembly instructions.

## Idler Setup

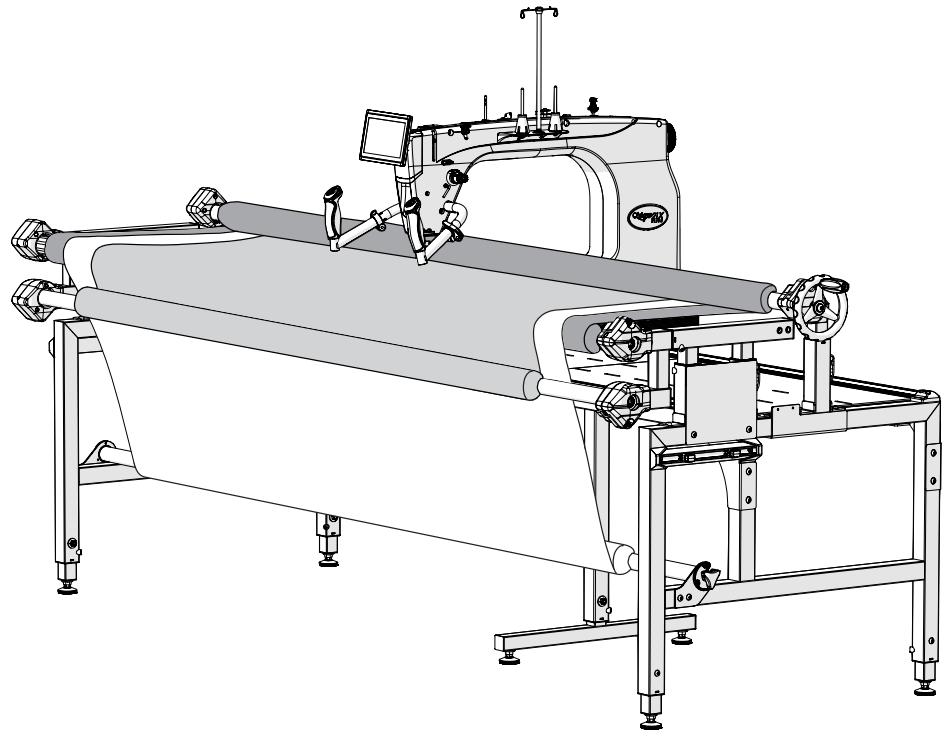
The fabric is routed underneath the idler rail.



**Important:** Swap the cloth leader on the quilt-top rail (the widest cloth leader) and the take-up rail before installing fabric.

## Batting Setup

The fabric is wrapped around the batting rail. Alternatively, remove the rail, slide it into the center of a roll of batting, and re-install the rail with the roll around it.



Large rolls of batting can also be stored permanently on the batting rail.