

Cutie Clip Upgrade Kit Assembly and Use Instructions

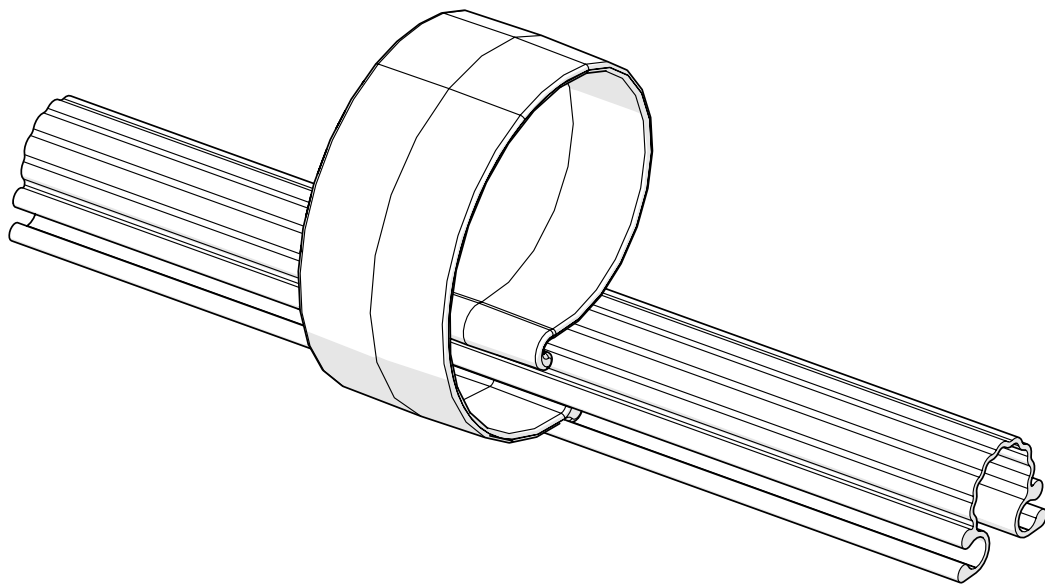
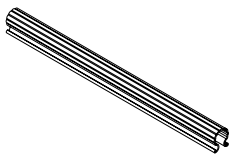


Table of Contents

Included Parts and Tools	2
Explanation of Product	2
Task 1 - Assembling the Coil Clamps	2
Task 2 - Removing the Straps from the Rails	3
Using the Coil Clamps on the Take-Up Rail	7
Using the Coil Clamps on the Front Rail	9

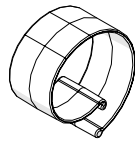
Included Parts and Tools

Fabric Clamp (x3)



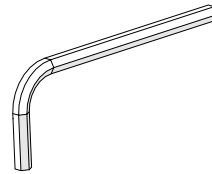
QTT-05-17696

Coil Clamp (x3)



QTT-05-17733

Allen Wrench 2 mm



HDW-03-11030

Explanation of Product

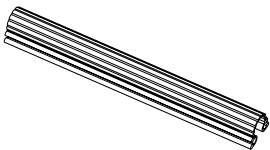
Use the coil clamps on the take-up rail or the front rail, or both, of the Cutie frame instead of the straps that come with the frame. Take off the straps before you use the coil clamps.

Note: One set of coil clamps is only enough to upgrade either the front rail or the take-up rail. If you want to use the coil clamps on both the take-up rail and the front rail of the Cutie frame, you must purchase two sets of the Cutie Clip upgrade kit.

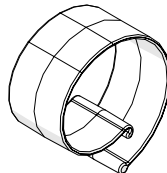
Task 1 - Assembling the Coil Clamps

Parts & Tools Needed

Fabric Clamps (x3)



Coil Clamps (x3)



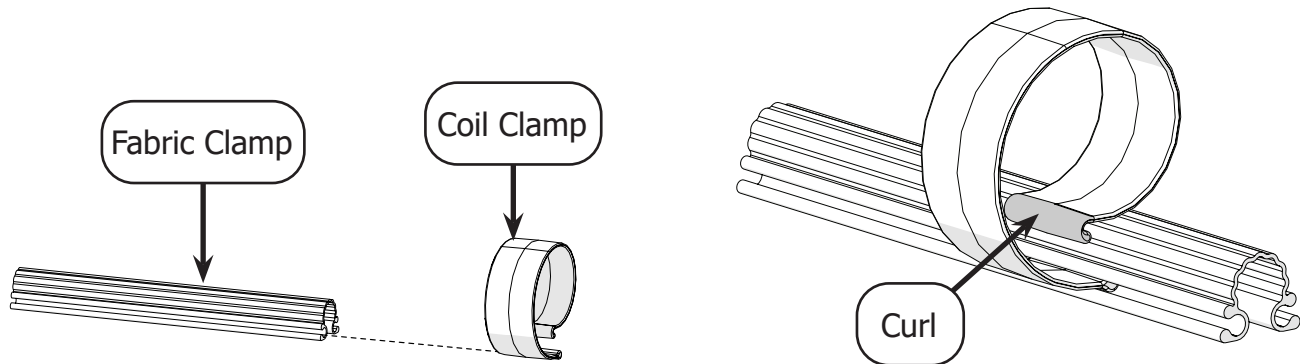
Instructions

The first time you use the Cutie Clip Upgrade Kit, put the coil clamps on the fabric clamps. Once the coil clamps are set up, you can leave them as is. You don't need to take them apart after each use.

Do the following to assemble the coil clamps:

Task 1 - Assembling the Coil Clamps (continued)

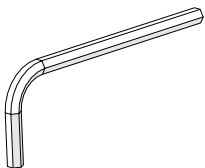
- 1 Slide the **coil clamps** into the side of the **fabric clamps**. Make sure the **curl** of the coil rests on top of the fabric clamp. Each fabric clamp needs one coil clamp.



Task 2 - Removing the Straps from the Rails

Parts & Tools Needed

Allen Wrench 2 mm



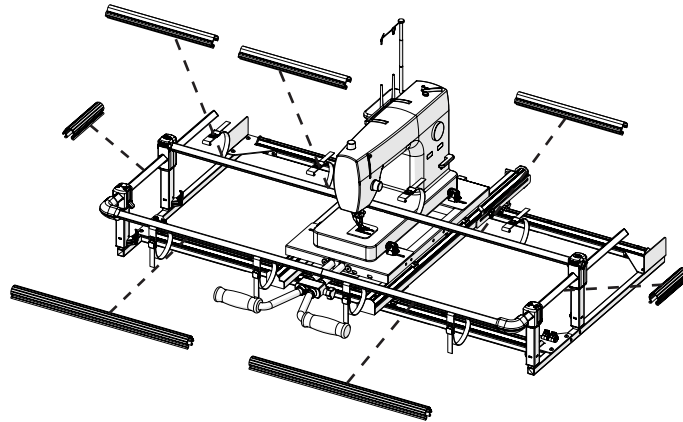
Instructions

Take the following steps to remove the straps from the rails on the Cutie frame.

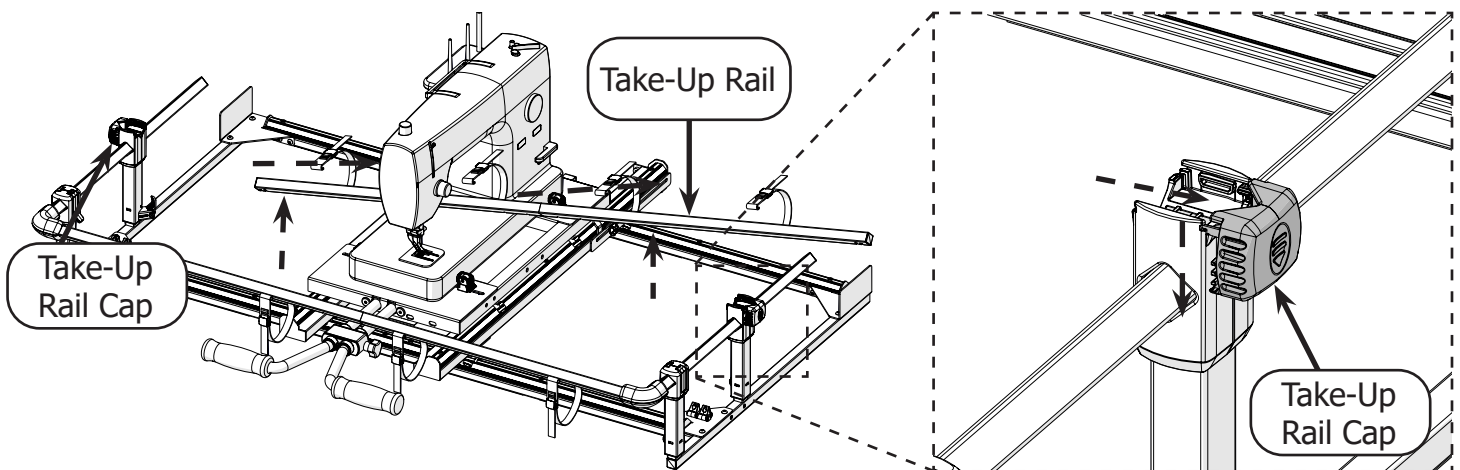
CAUTION: If you're absolutely confident that you don't ever want to use the straps again, you can cut them off the rails instead. Afterwards, pop the cap off the end of the rail to let the metal strap holders fall out. However, if you cut the straps off, Grace Company cannot be responsible for this damage to your frame. If you ever want to use straps with your frame in the future, you must purchase new rails. Grace Company does not have an option for you to just buy the straps. We highly recommend that you remove the straps from the rails rather than cutting them off.

Task 2 - Removing the Straps from the Rails (continued)

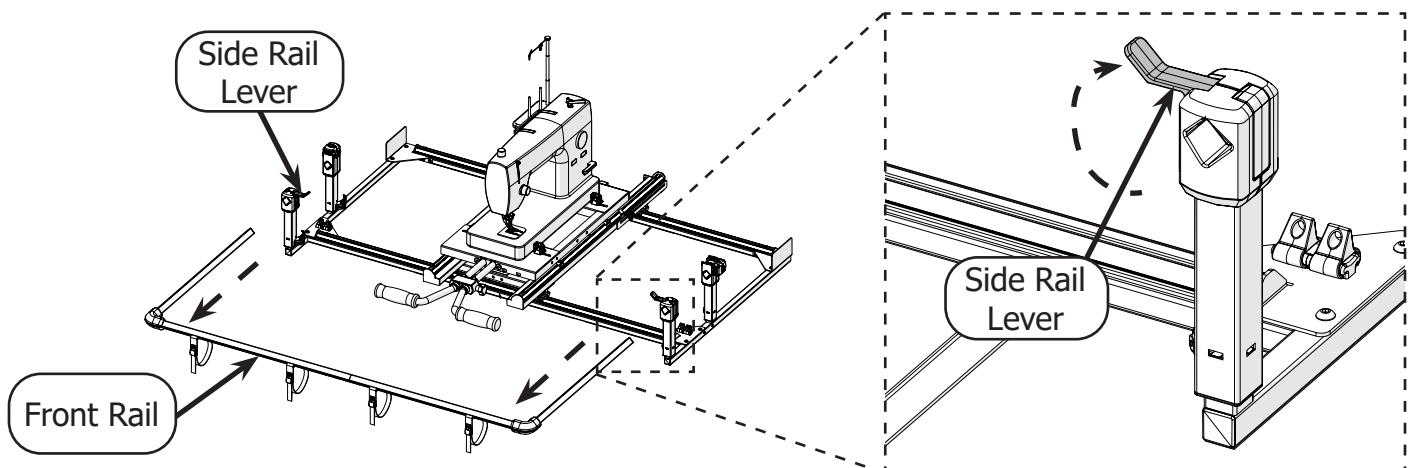
- 1 Remove the original fabric clamps from the rails. Keep the original fabric clamps, as you are still going to use the side rail clamps. You might also be using either the front or take-up rail clamps, if you aren't replacing the straps for both rails.



- 2 If you're using the coil clamps on the **take-up rail**, then remove the take-up rail from the frame by sliding open the two **take-up rail caps** on the sides of the frame, and then lifting the take-up rail up and guiding it through the machine throat. Otherwise, skip this step.

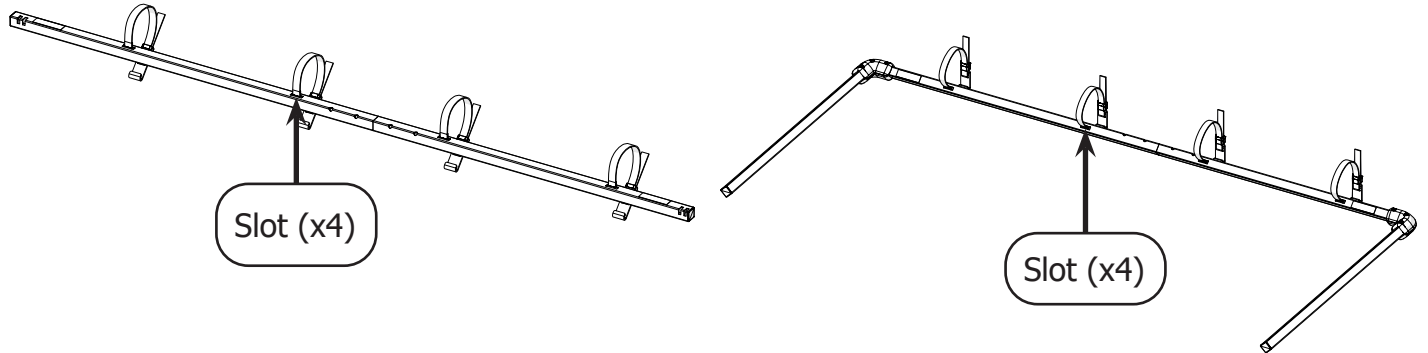


- 3 If you're using the coil clamps on the **front rail**, then remove the front rail from the frame by raising the two **side rail levers** on the sides of the frame, and sliding out the front and side rails. Otherwise, skip this step.

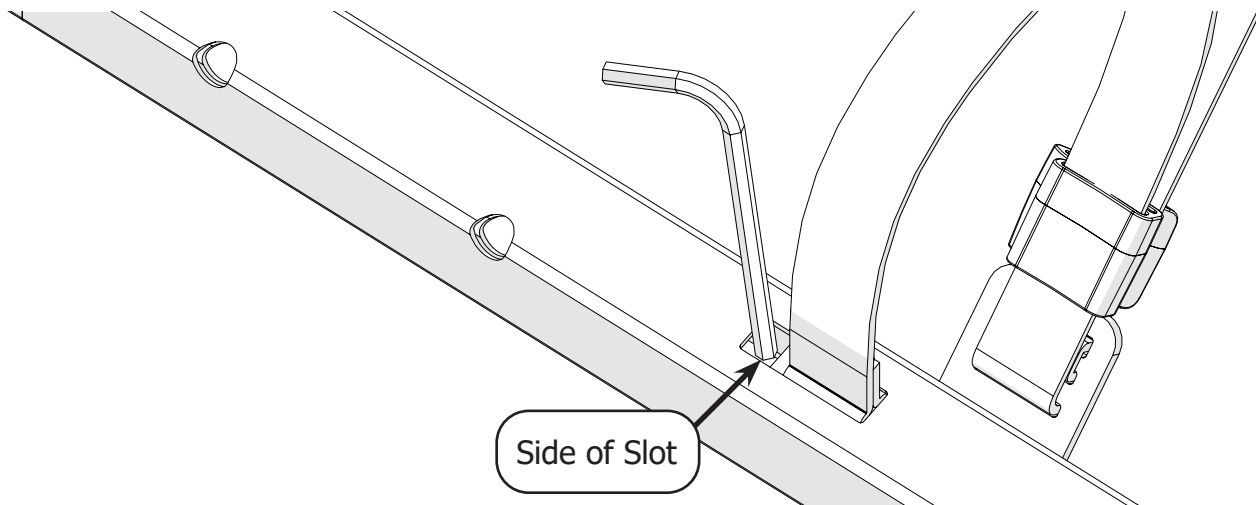


Task 2 - Removing the Straps from the Rails (continued)

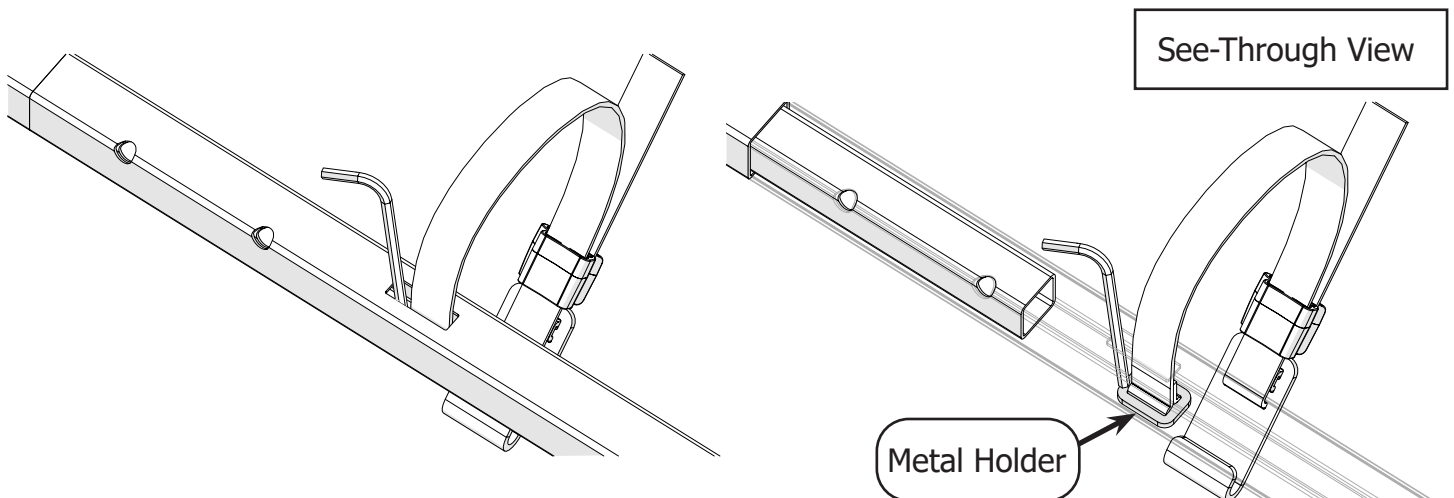
- 4 Set the rail (or rails) on a solid surface, such as a table, with the **slots** facing up. For the front rail, let the side rails rest on the surface as well.



- 5 Pick a strap. While lightly holding the strap with one hand, use the other hand to insert the long end of the 2 mm Allen wrench into the **side of the slot**.

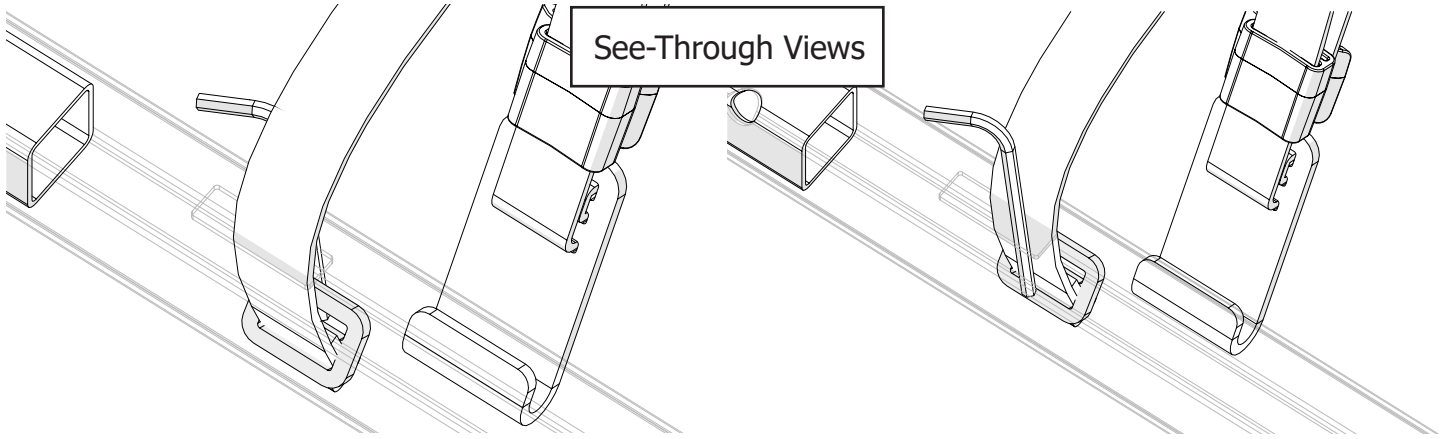


- 6 Use the Allen wrench to press the **metal holder** on the strap nearly to the bottom of the rail. Remember to only loosely hold the strap so that the metal holder can move freely.

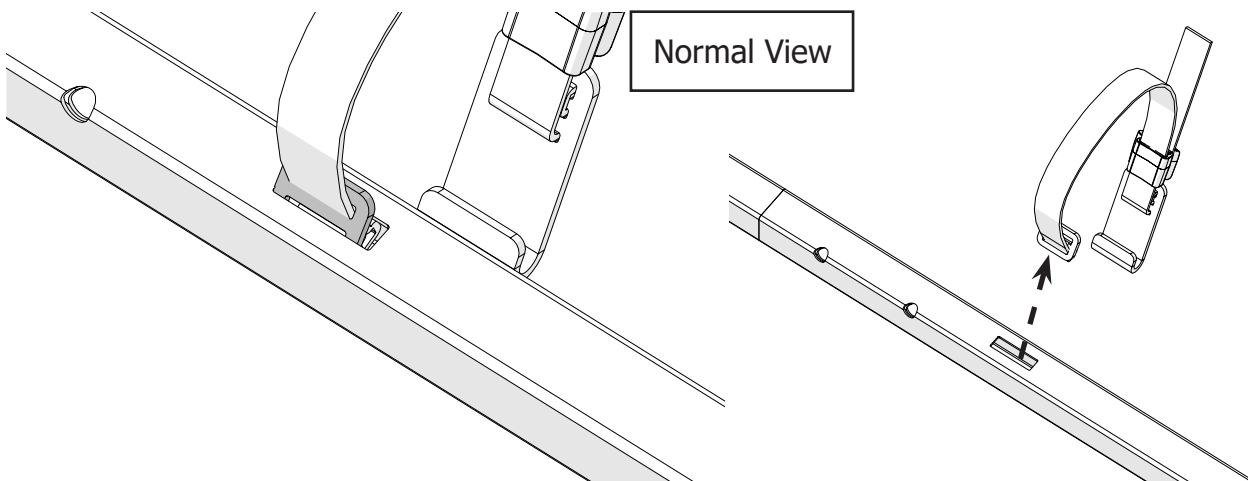
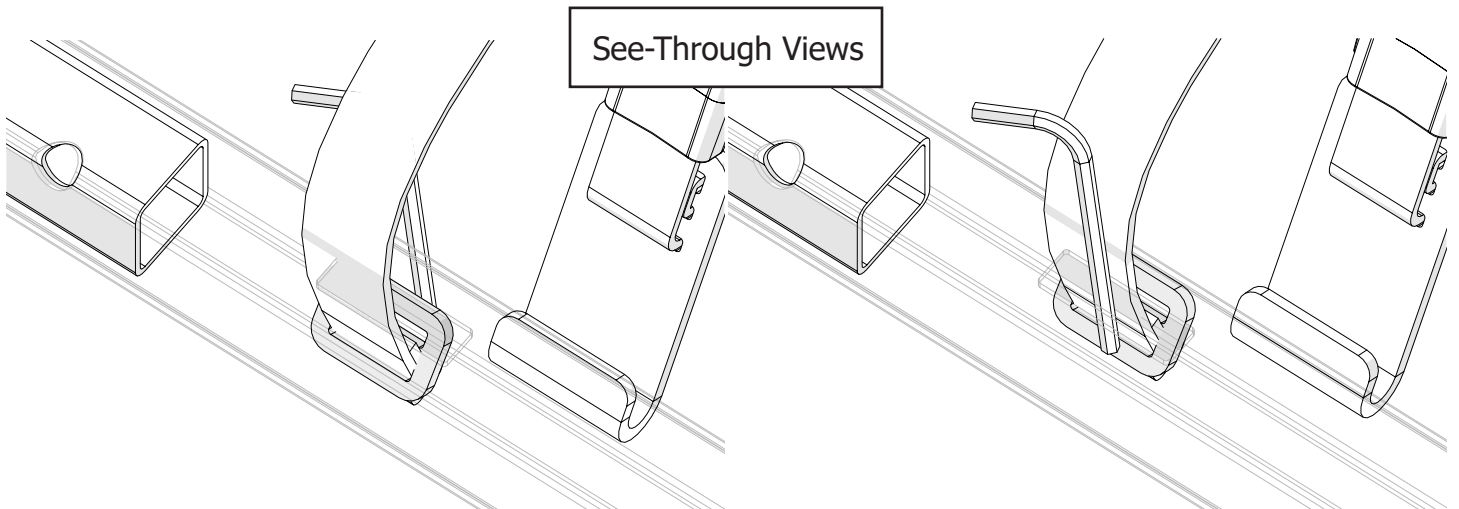


Task 2 - Removing the Straps from the Rails (continued)

- 7 Slide the wrench under the metal holder, and then push or pull up with the wrench to twist the holder into an upright position, rotated 90 degrees from where it started. **Note:** The first time you do this motion, it might be a little tricky. Keep trying a few more times, and soon the motion will feel straightforward.



- 8 Once the metal holder is upright, line it up with the slot, using the Allen wrench to keep it upright, and pull the holder out of the rail.

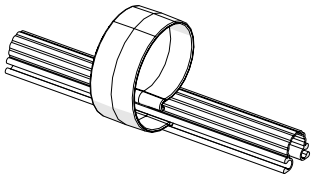


- 9 Repeat steps 5-8 for the other straps. Store the straps with your other quilting supplies. **Note:** Put the rails back on your frame. For detailed instructions, see your Cutie Frame manual.

Using the Coil Clamps on the Take-Up Rail

Parts & Tools Needed

Assembled Coil Clamps

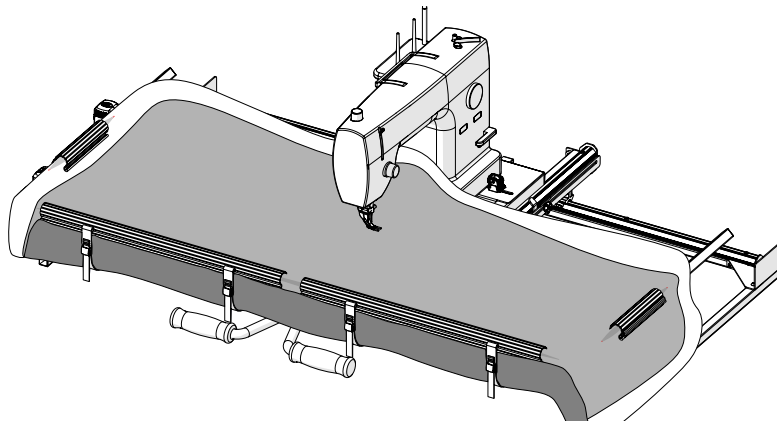


Instructions

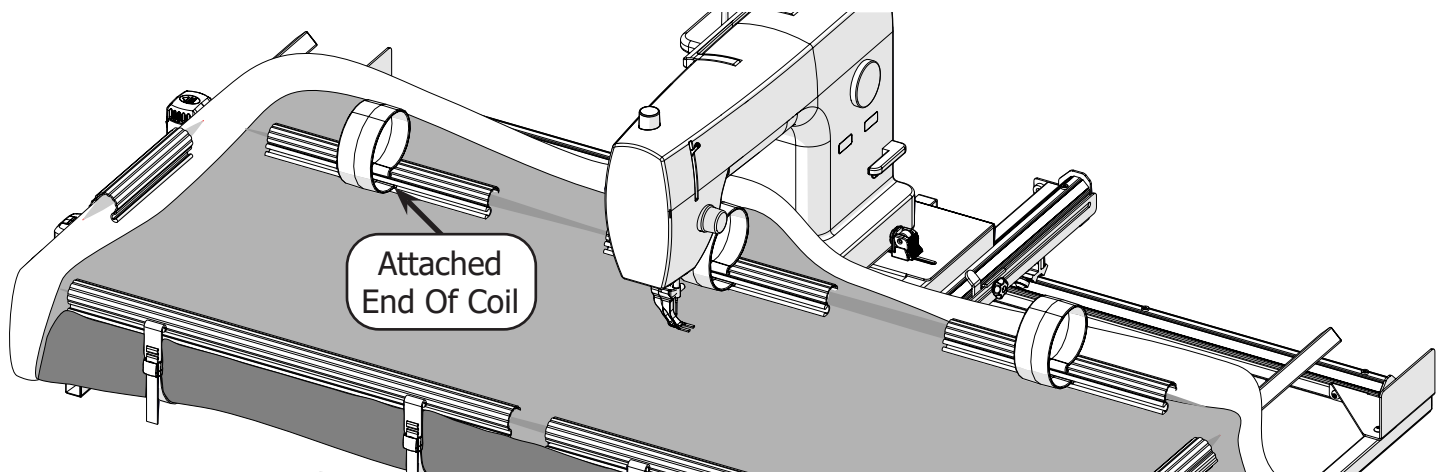
Once the straps are off the take-up rail, you are ready to use the coil clamps on your Cutie frame.

Take the following steps to use the coil clamps on the take-up rail:

- 1 Put your quilt on the frame. For detailed instructions for this step, see the Cutie Frame instruction manual.

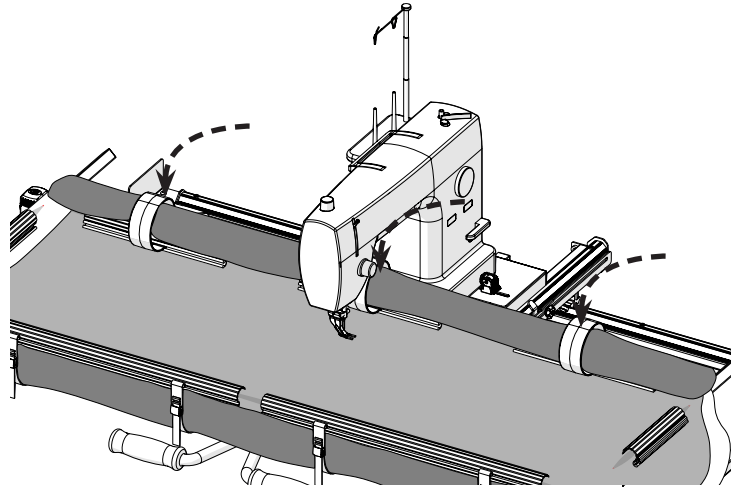
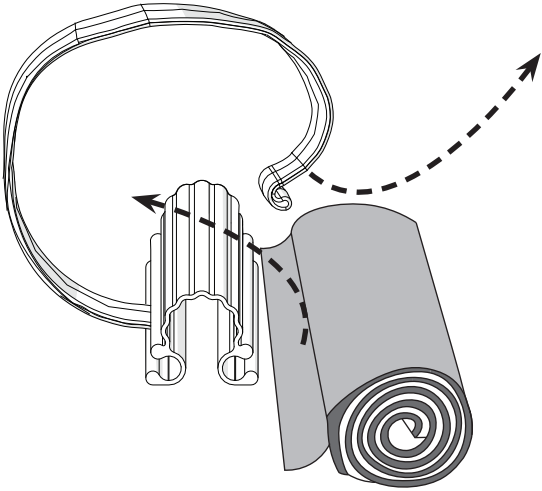


- 2 The coil clamps are much like how the original clamps on the Cutie frame worked. Press the coil clamps onto the take-up rail to hold the fabric in place. Make sure that the **end of the coil that is attached** to the clamp is on the inside of the frame.

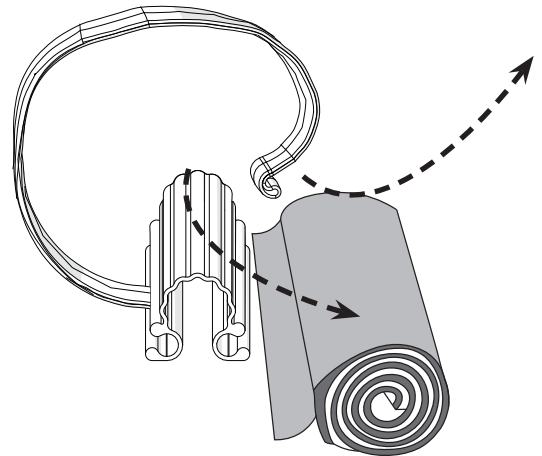
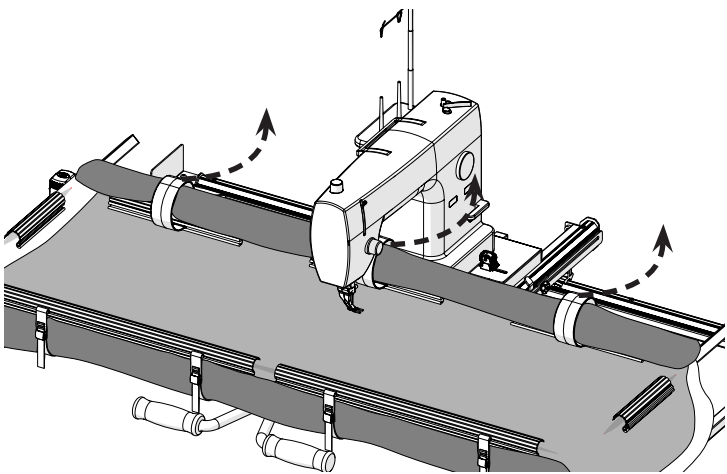


Task 3 - Using the Coil Clamps on the Cutie Take-Up Rail (continued)

- 3 If your fabric is crumpled up in the throat of the machine, then roll up the edge of your quilt in the throat of the machine. Pull out each coil, and then slip the rolled fabric into the coil clamps.



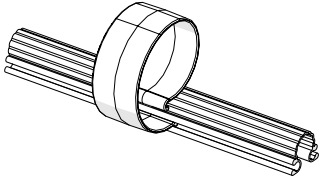
- 4 When it's time to move your fabric, remove the fabric roll from the coils. To remove the fabric clamps from the take-up rail, pry the lips of the clamp away from each other and then pull the clamp off the rail.



Using the Coil Clamps on the Front Rail

Parts & Tools Needed

Assembled Coil Clamps

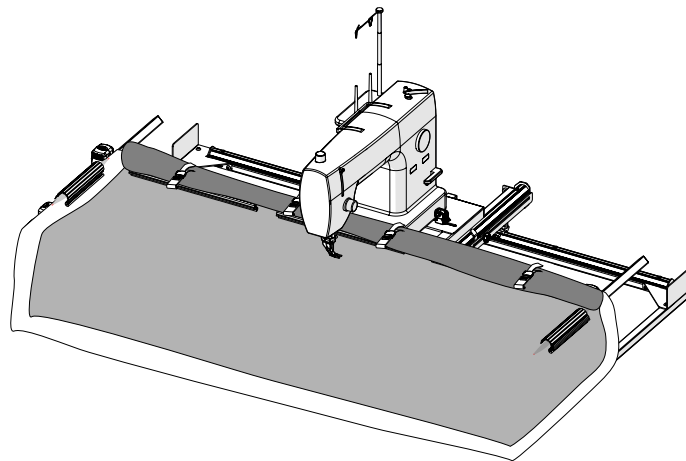


Instructions

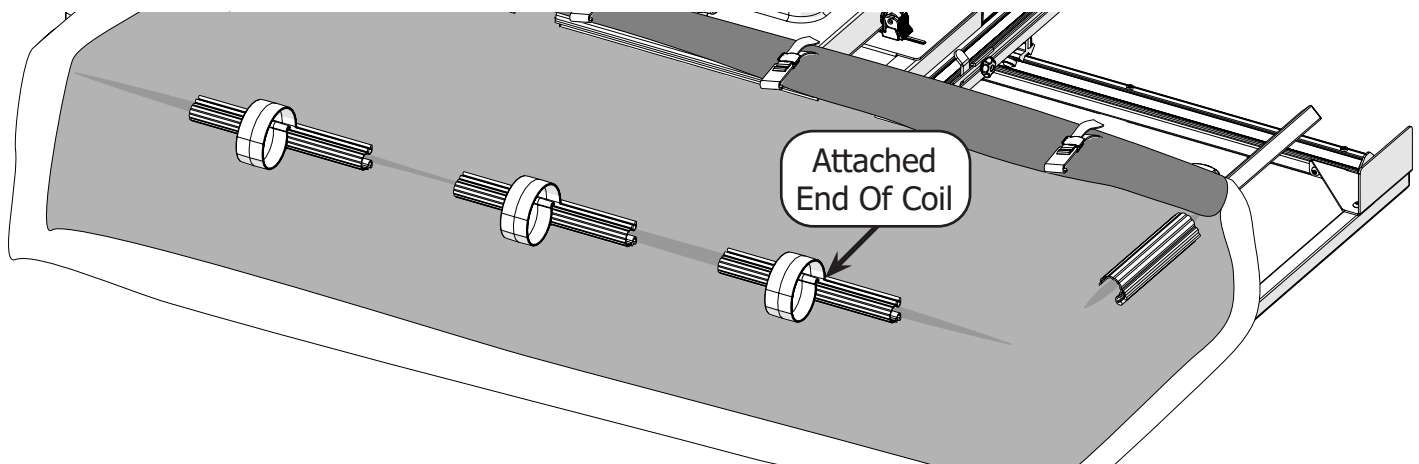
Once the straps are off the front rail, you are ready to use the coil clamps on your Cutie frame.

Take the following steps to use the coil clamps on the front rail:

- 2 Put your quilt on the frame. For detailed instructions for this step, see the Cutie Frame instruction manual.

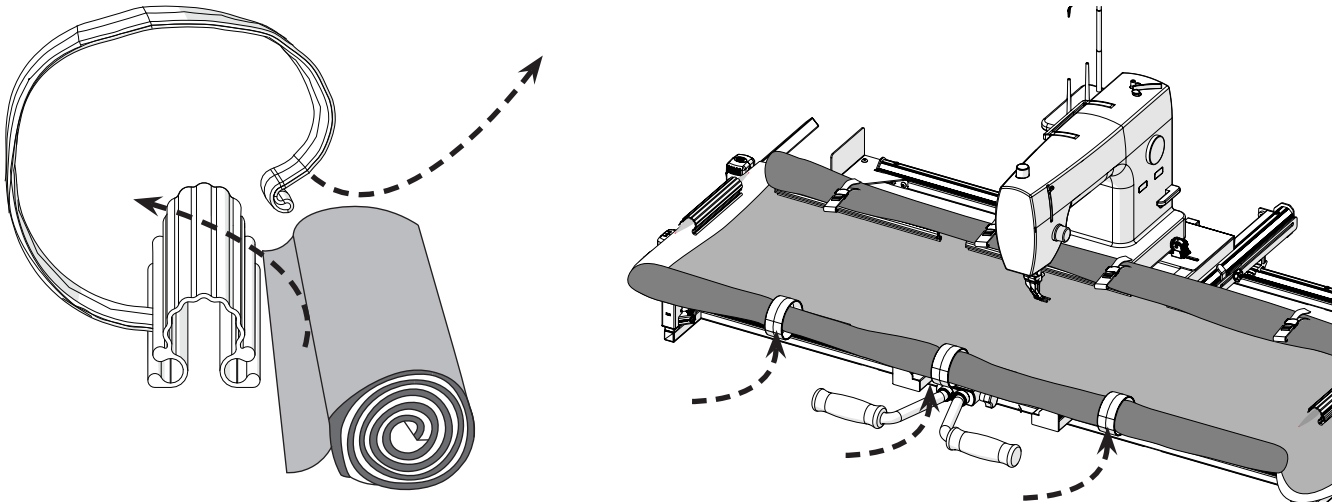


- 2 Press the coil clamps onto the front rail to hold the fabric in place. Make sure that the **end of the coil that is attached** to the clamp is on the inside of the frame. **Note:** The front clamps work best when attached from the front of the front rail, rather than from the top of the rail.

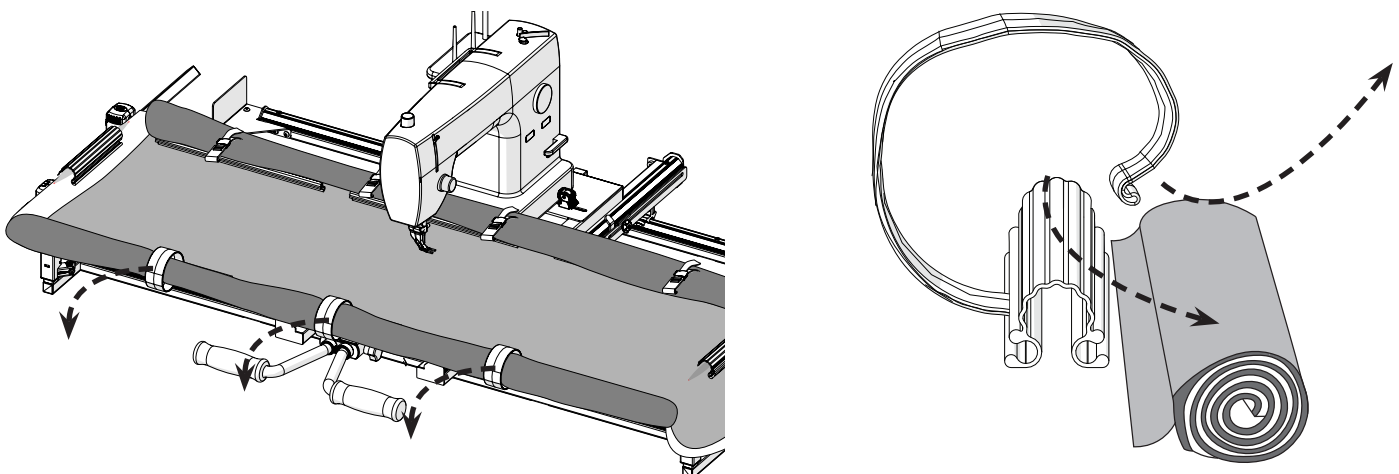


Task 4 - Using the Coil Clamps on the Front Rail (continued)

- 3 If your fabric is draping over the front rail, then roll up the edge of your quilt. Pull out the coil, and then slip the rolled fabric into the coil clamps.



- 4 When it's time to move your fabric, remove the fabric roll from the coils. To remove the fabric clamps from the front rail, pry the lips of the clamp away from each other and then pull the clamp off the rail.



Grace
COMPANY

www.graceframe.com
1-801-485-6688