

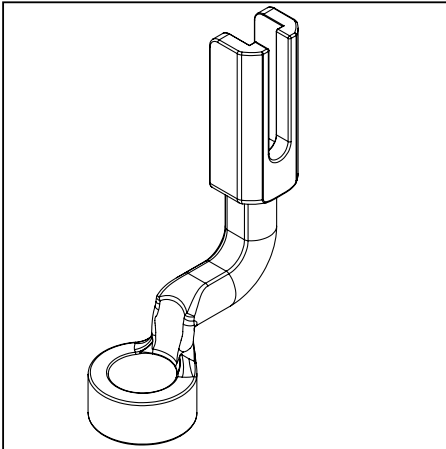
3-Piece Hopping Foot Set



Parts List:

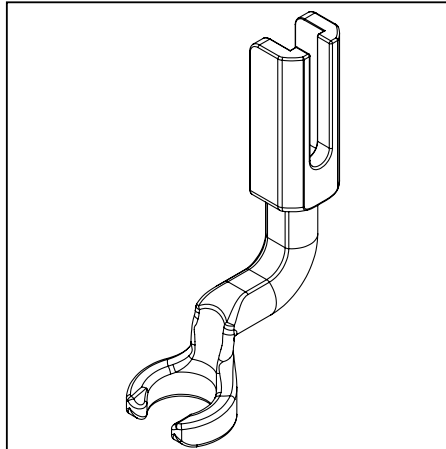
- 3 mm Allen Wrench
- Hoping Foot Height Gauge

For ruler work, helps to keep stitching with ruler



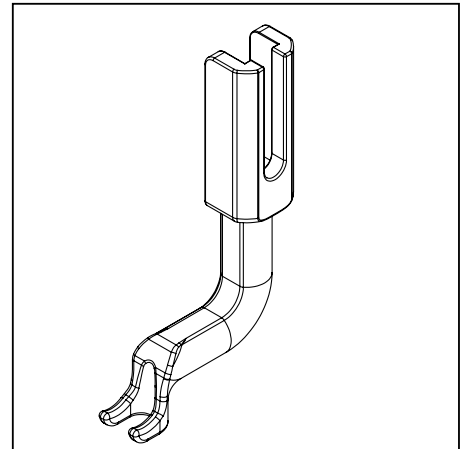
Ruler Presser Foot

Open toe helps for better visibility of stitching.



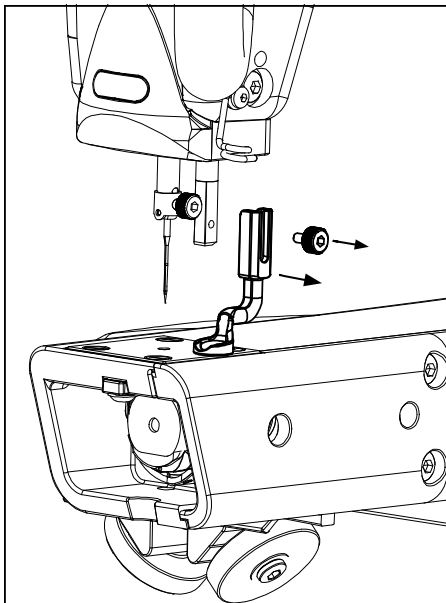
Presser Foot Open Toe Standard

For micro stippling, smaller and tighter dot/ touch patterns.

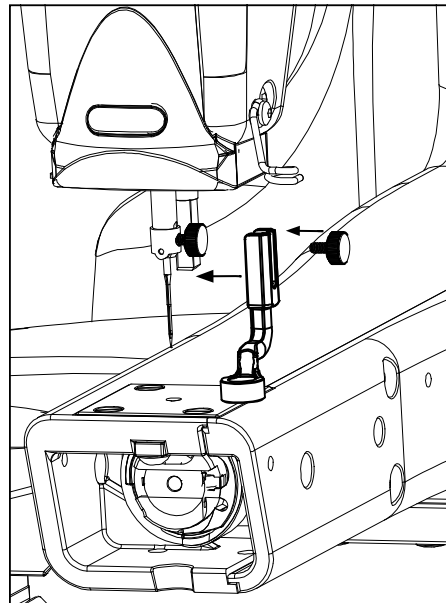


Micro stippling Presser Foot

1. Remove the standard presser foot: Use the 3 mm Allen wrench to turn the screw counterclockwise and remove the screw and the presser foot.



2. Attach the accessory presser foot on to the machine with the M3 x 8 mm SHCS screw and 3 mm Allen wrench. Leave loose during this step.



3. Set hopping foot height: move the machine off the fabric and drop the needle to the lowest position. Slide the height gauge under the hopping foot. Tighten the M3 x 8 mm SHCS.

